



Spare parts for:

Bar equipment



Suitable for:

CEADO



This catalogue is automatically generated.
Therefore, the sequence of the items might
not be always shown at best.
Updates will be issued in case of additions
and/or amendments.

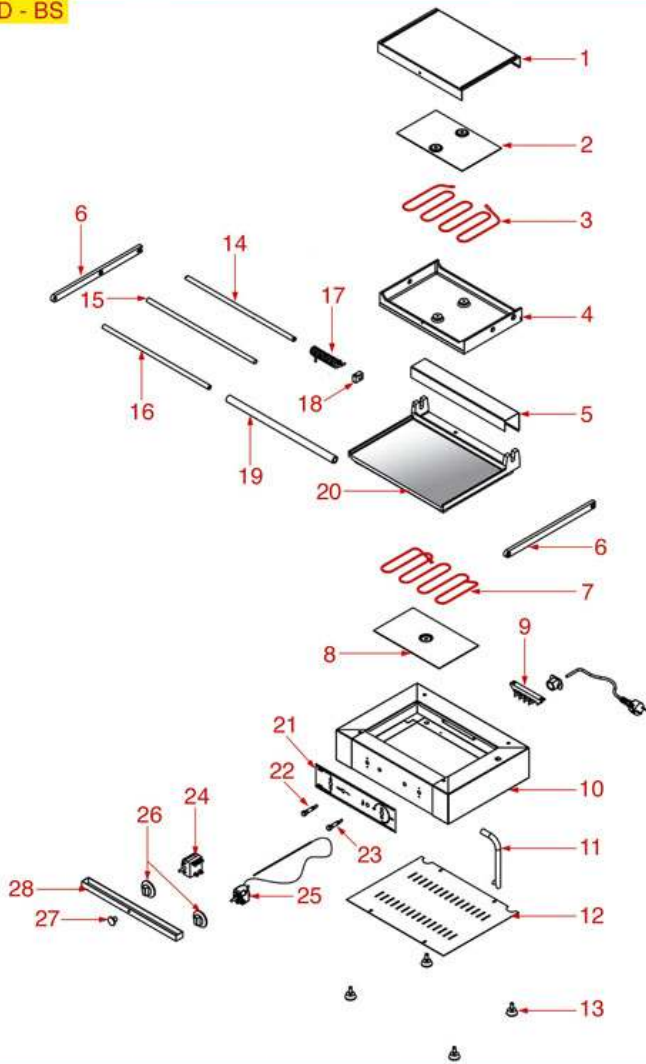
Suitable universal spare parts may not be included



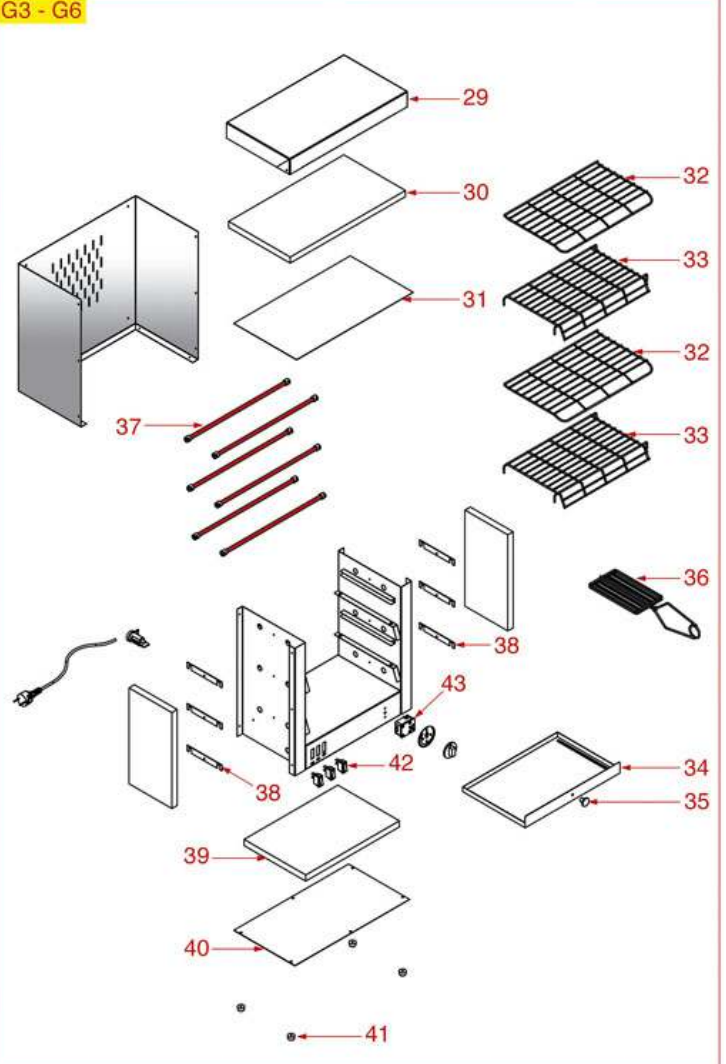


SANDWICH GRILL BS-BD TOASTER G3-G6

BD - BS



G3 - G6





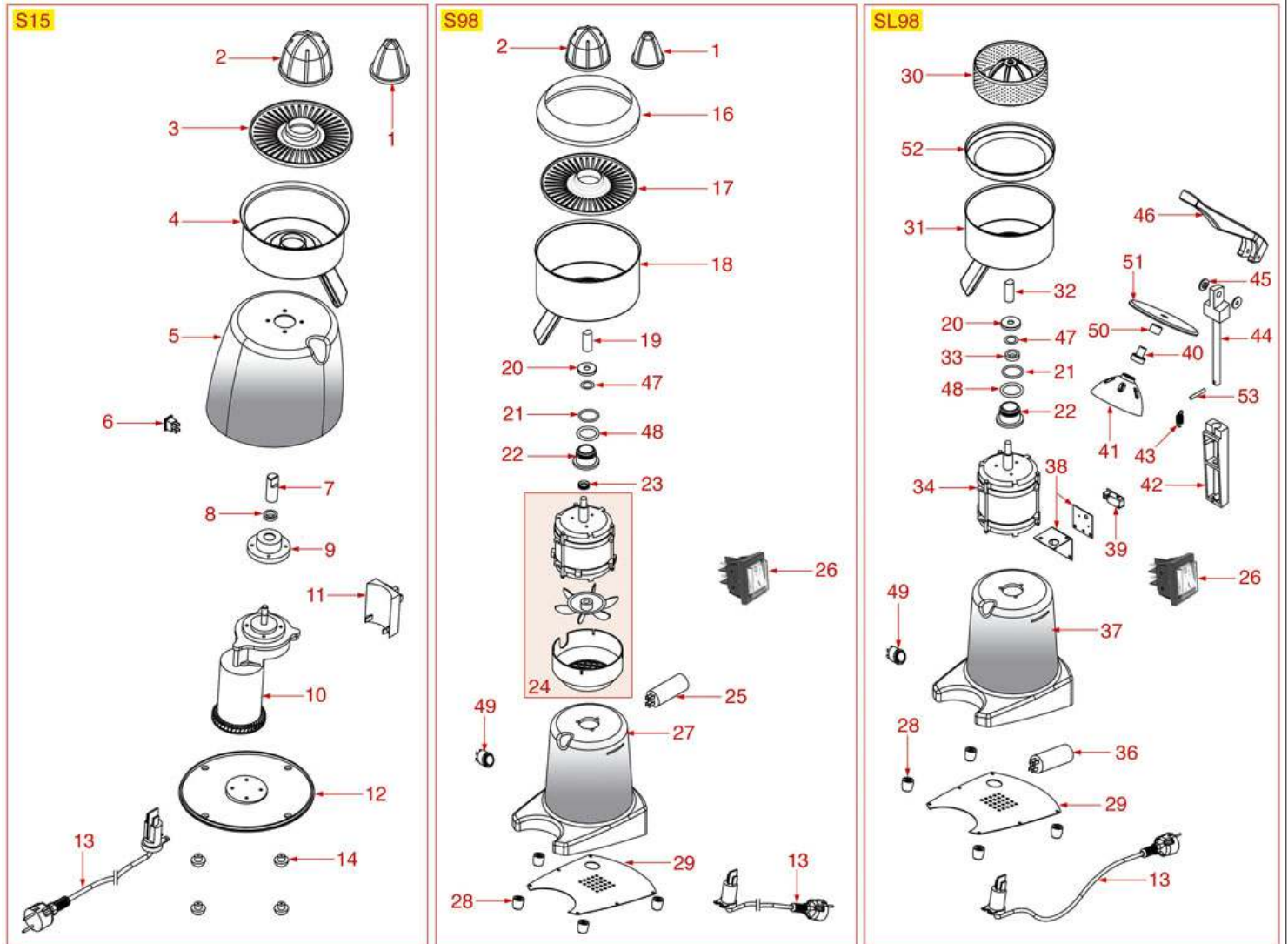
CEADO



Position	LF code no.	Description
3	3755717	HEATING ELEMENT 750/820W 220/230V
7	3755726	HEATING ELEMENT 850/930W 220/230V
9	3247019	5-POLE TERMINAL BLOCK FV273 40A 450V
17	3250143	SPRING \varnothing 24x113 mm
22	3221132	GREEN INDICATOR LAMP 230V
23	3221095	ORANGE INDICATOR LAMP 230V
25	3444174	SINGLE-PHASE THERMOSTAT 50-320°C
36	3317051	GRILL PLIER
37	3755727	QUARTZ HEATING ELEMENT
42	3319468	BLACK SINGLE POLE SWITCH 16A 250V
43	3446138	TIMER 15 MINUTES M2



CITRUS SQUEEZER S15-S98-SL98





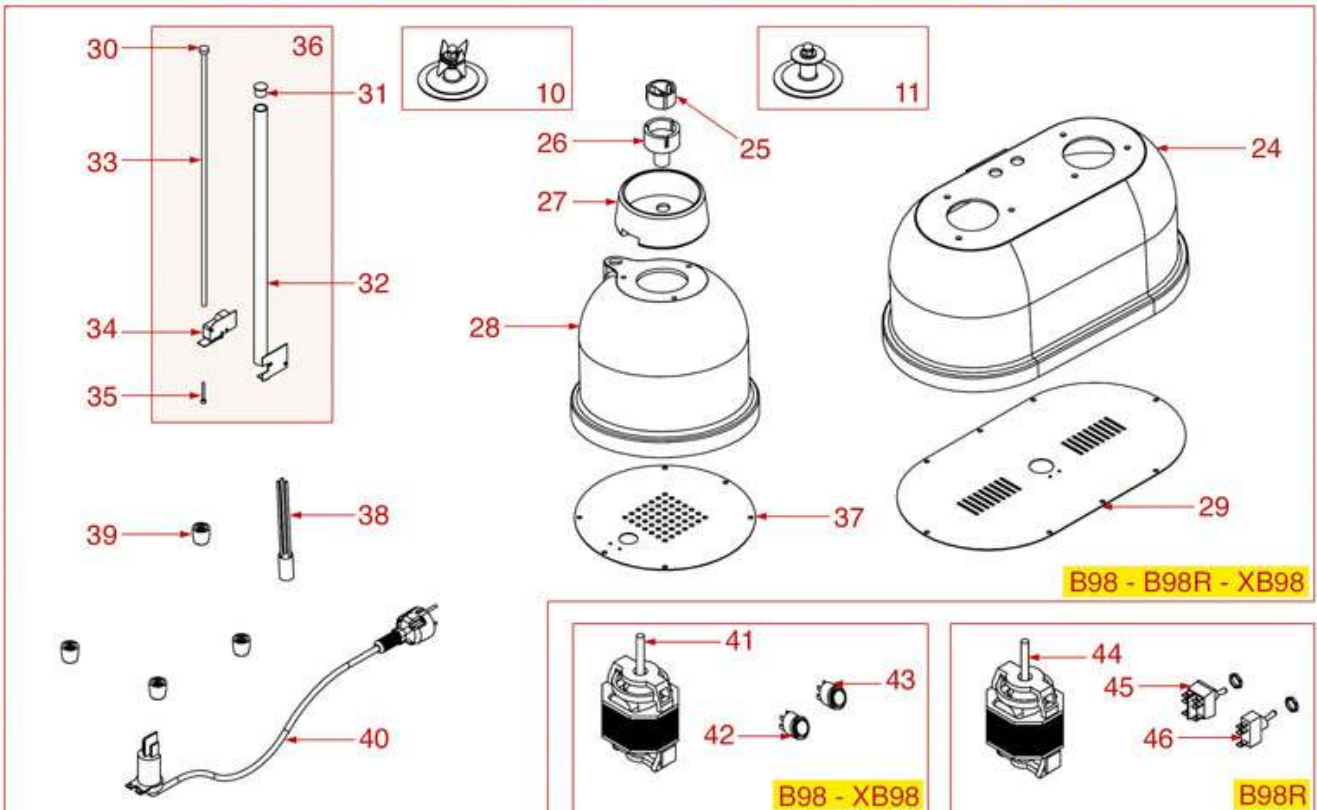
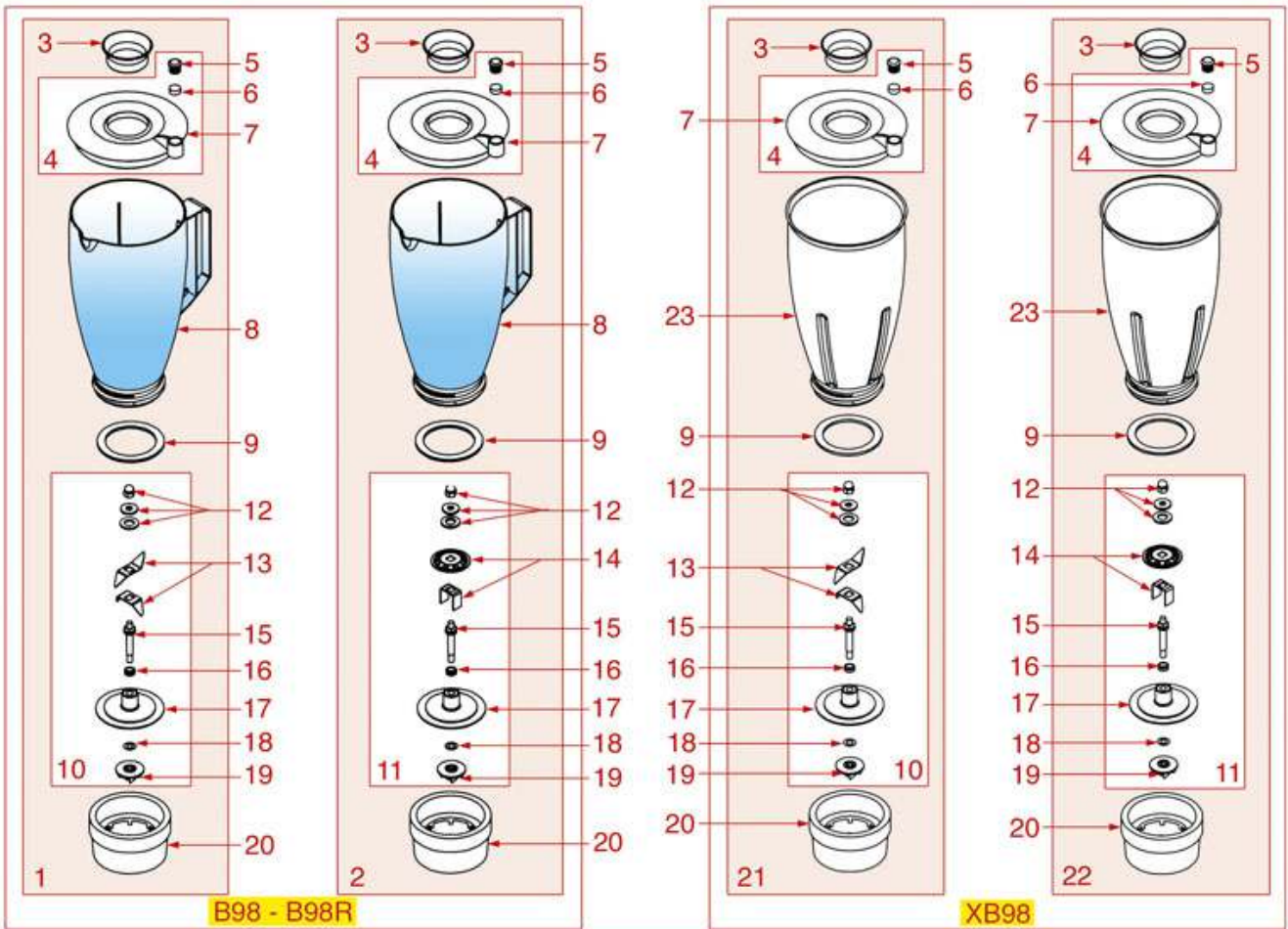
CEADO



Position	LF code no.	Description
1	1381112	SMALL CONE
2	1381060	BIG PLASTIC CONE VERSION 2000
3	1381117	PLASTIC SIEVE
6	1319175	BLACK BIPOLAR SWITCH 12A 250V
8	1186559	MOTOR SEALING GASKET
17	1381118	PLASTIC SIEVE
21	3186143	GASKET OR 04093 EPDM
23	1186559	MOTOR SEALING GASKET
25	3068008	CAPACITOR μ F 5 450V 50/60Hz
26	1319350	WHITE BIPOLAR SWITCH 16A 250V
30	1381113	STAINLESS STEEL CONE
36	3068016	CAPACITOR μ F 10 450V 50/60Hz
39	3240407	MECHANICAL MICROSWITCH KIT 16A 250V
48	1186598	FLAT GASKET \varnothing 45x35x1 mm
49	1319177	ONE SPEED SWITCH 16A 250V
52	1381162	STAINLESS STEEL SAFETY RING



BLENDERS B98-B98R-XB98





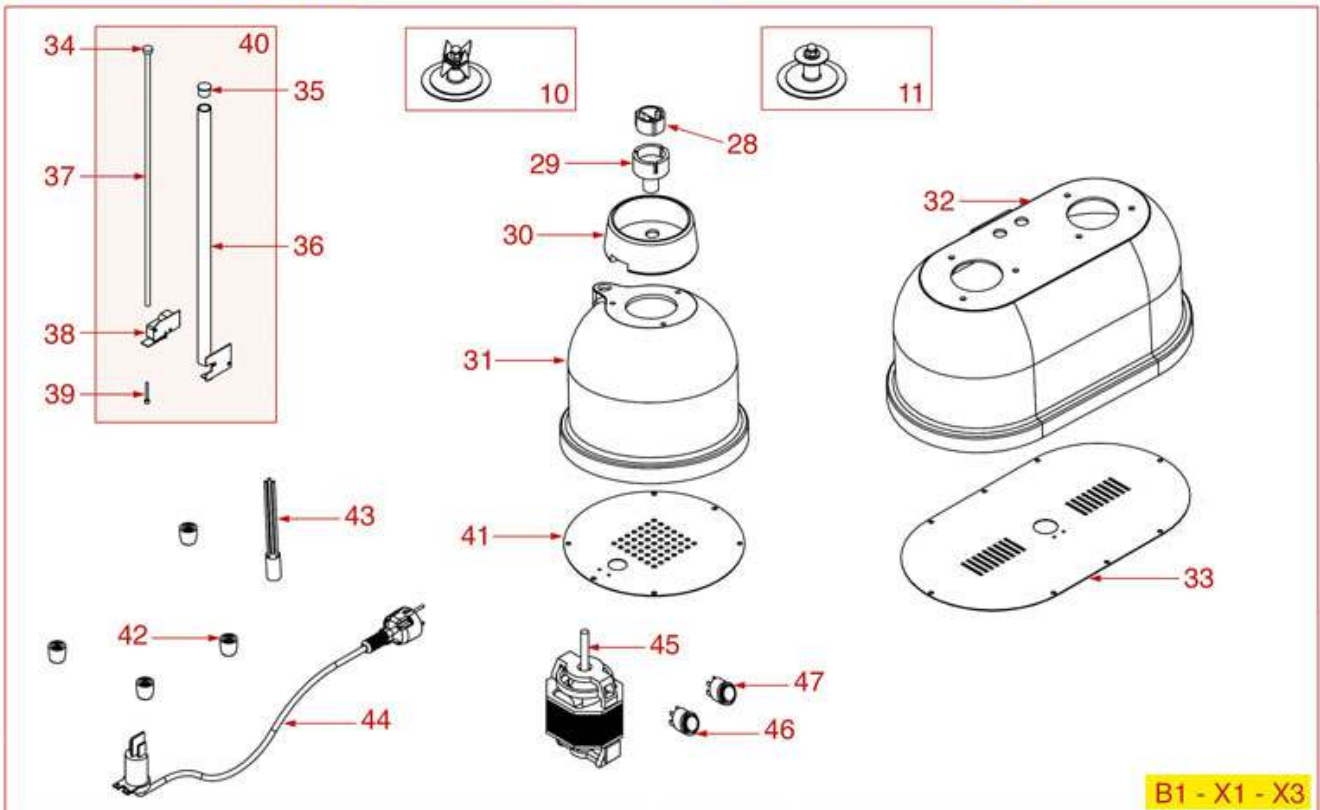
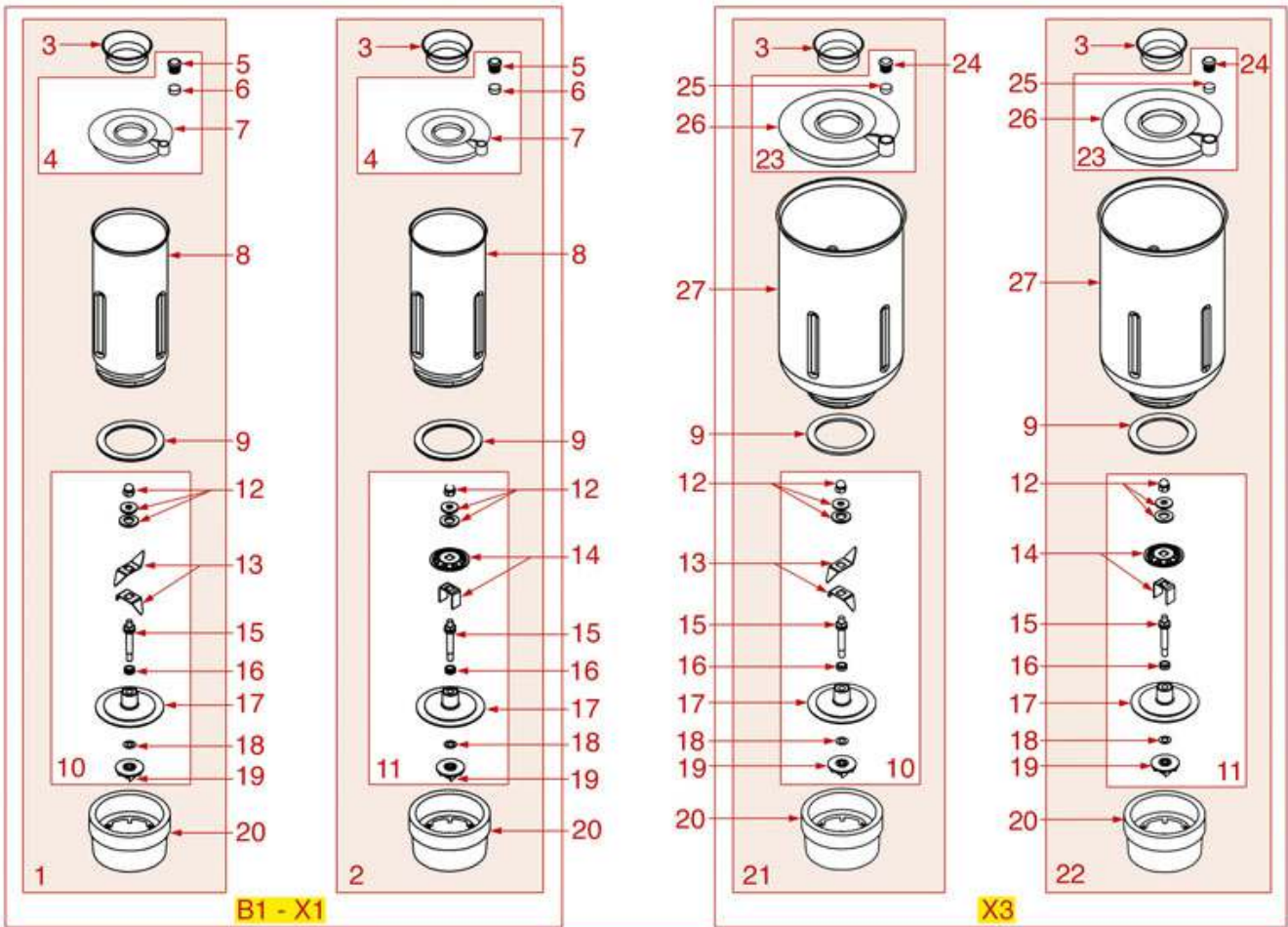
CEADO



Position	LF code no.	Description
3	1381110	COVER LID
4	1381114	JUG LID
8	1080029	PLASTIC JUG 1.5 L
9	1186488	JUG GASKET \varnothing 72x55x3 mm
10	1718009	BLADE GROUP
11	1718013	MIXER ASSEMBLY
19	1381108	MALE GEAR 4 TEETH
25	1381107	FEMALE GEAR 4 TEETH
34	3240407	MECHANICAL MICROSWITCH KIT 16A 250V
42	1319177	ONE SPEED SWITCH 16A 250V
43	1319176	TWO SPEED SWITCH 16A 250V
45	1319188	LEVER BIPOLAR SWITCH 10A 250V
46	1319187	SINGLE POLE LEVER SWITCH 15A 250V



BLENDERS B1-X1-X3





CEADO

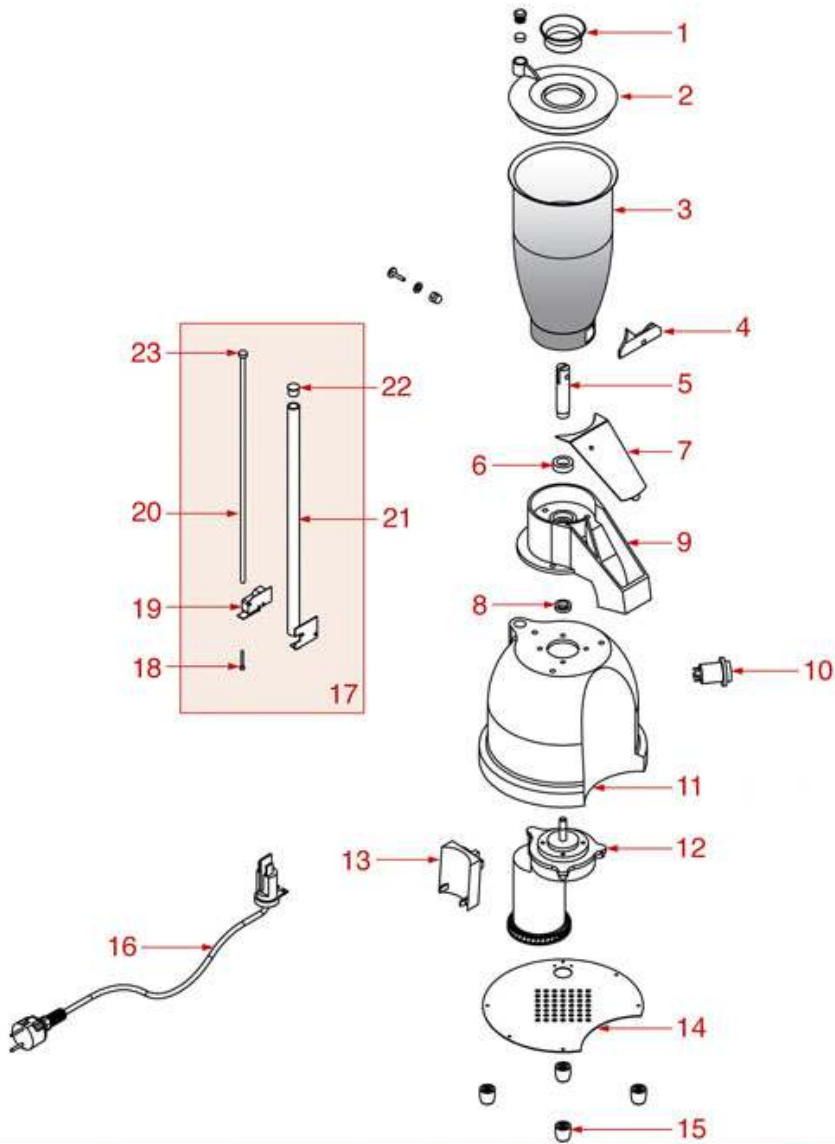


Position	LF code no.	Description
3	1381110	COVER LID
9	1186488	JUG GASKET \varnothing 72x55x3 mm
10	1718009	BLADE GROUP
11	1718013	MIXER ASSEMBLY
23	1381109	JUG LID
28	1381107	FEMALE GEAR 4 TEETH
38	3240407	MECHANICAL MICROSWITCH KIT 16A 250V
46	1319177	ONE SPEED SWITCH 16A 250V
47	1319176	TWO SPEED SWITCH 16A 250V

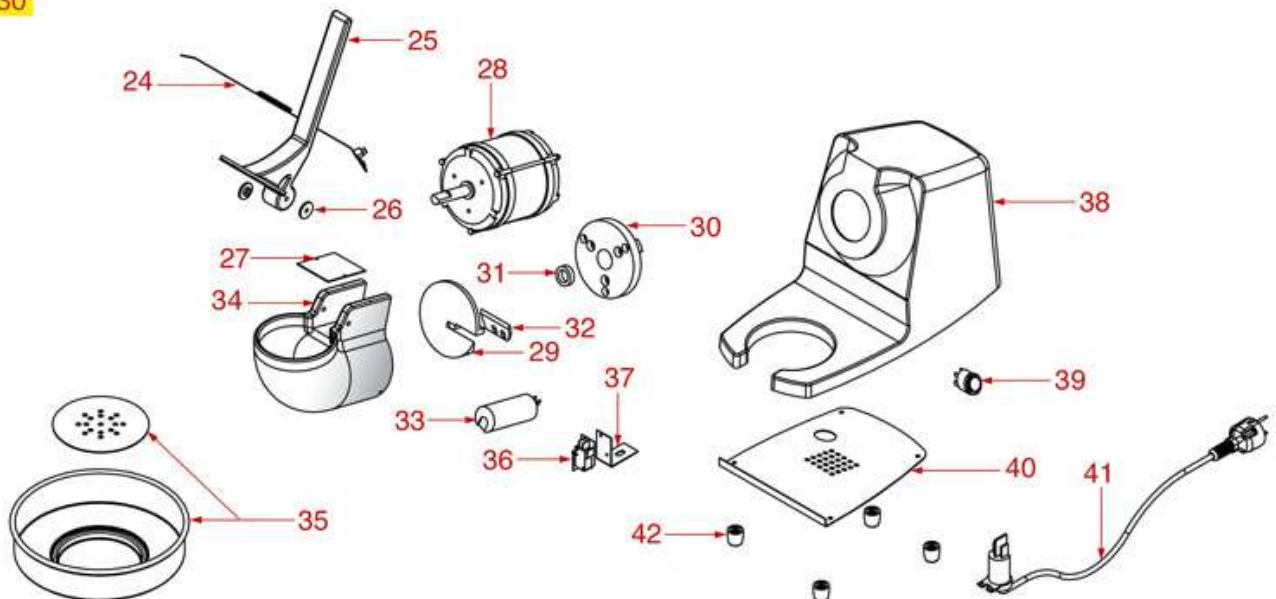


ICE CRUSHER V90-G30

V90



G30





CEADO

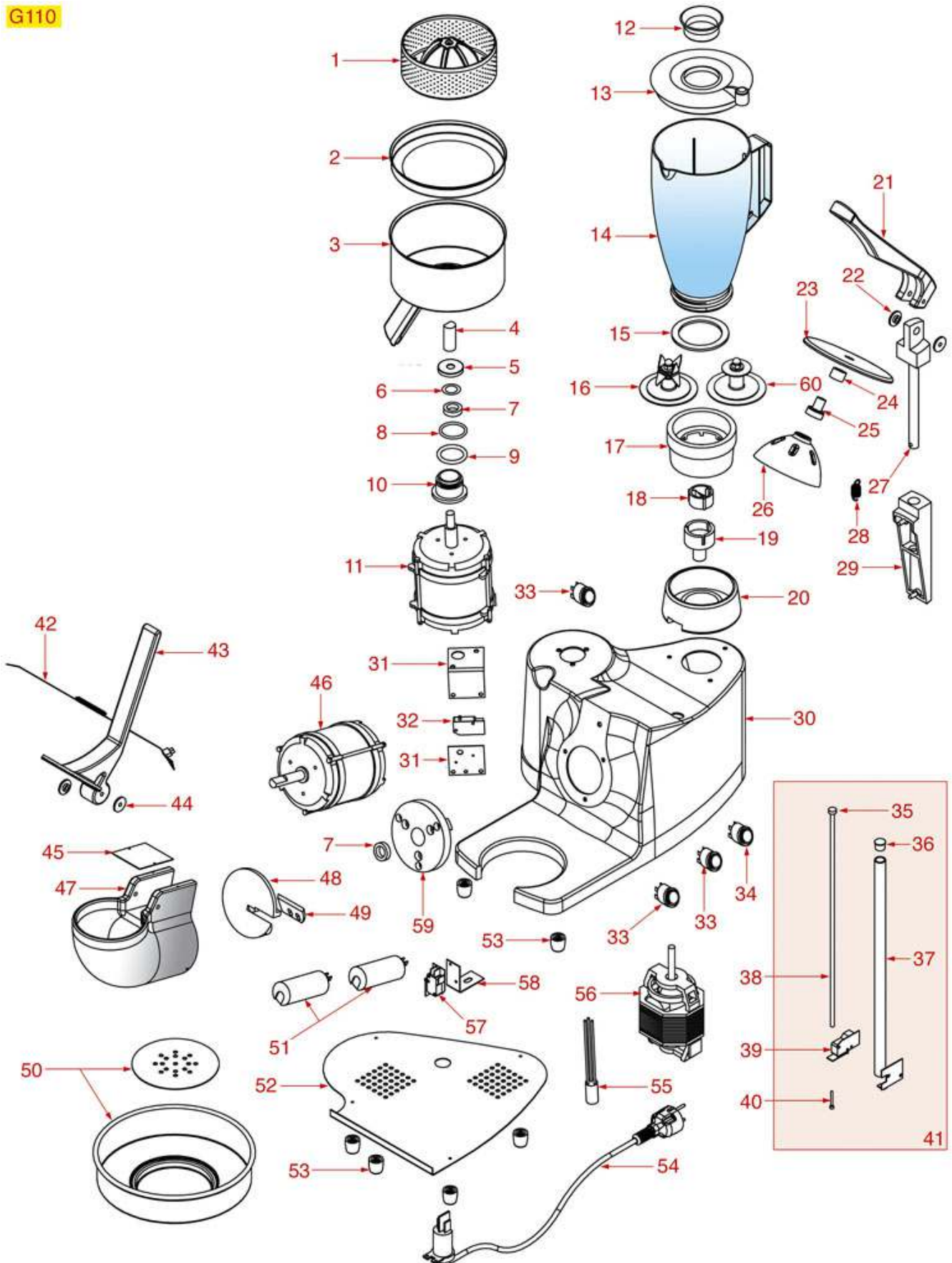


Position	LF code no.	Description
1	1381110	COVER LID
2	1381114	JUG LID
6	1186604	OIL SEAL \varnothing 24x15x7 mm
8	1186559	MOTOR SEALING GASKET
10	1319177	ONE SPEED SWITCH 16A 250V
19	3240407	MECHANICAL MICROSWITCH KIT 16A 250V
31	1186604	OIL SEAL \varnothing 24x15x7 mm
32	1718015	ICE CRUSHING KNIFE
33	3068016	CAPACITOR μ F 10 450V 50/60Hz
36	3240407	MECHANICAL MICROSWITCH KIT 16A 250V
39	1319177	ONE SPEED SWITCH 16A 250V



MULTIPLE GROUP G110

G110





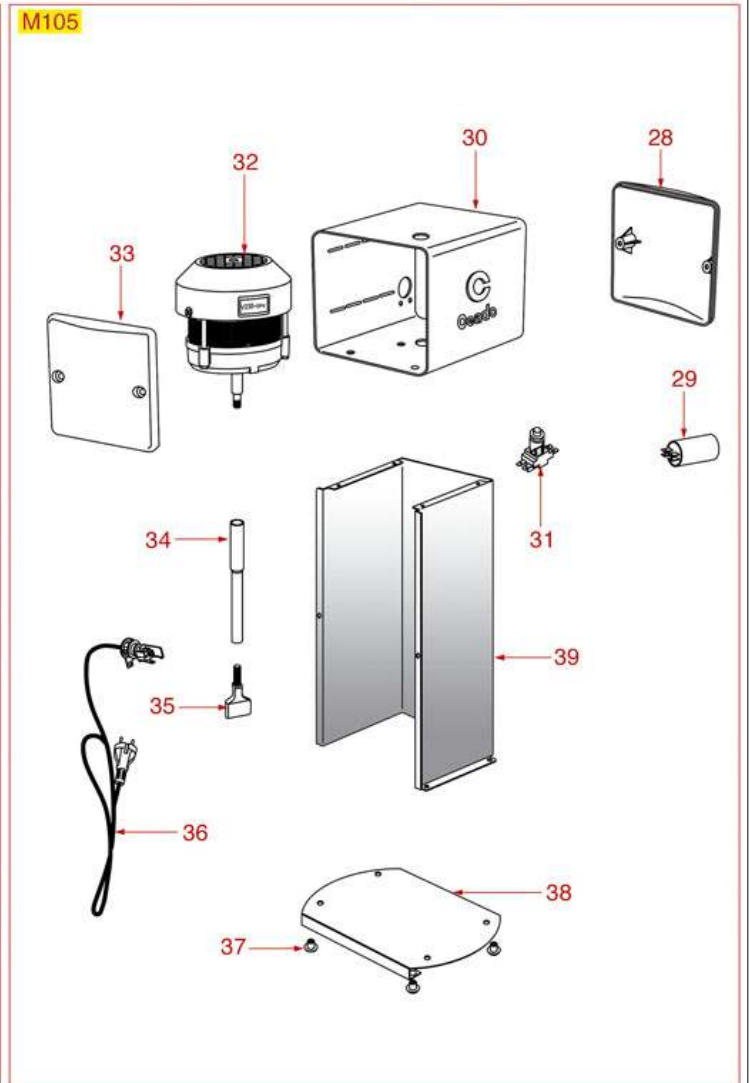
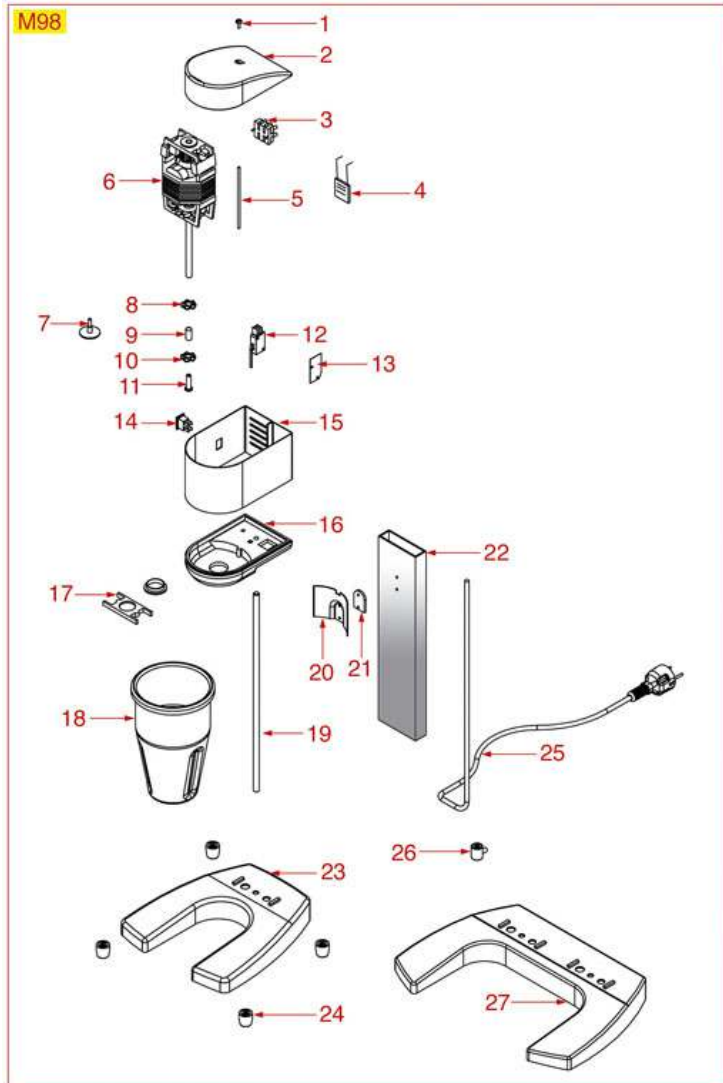
CEADO



Position	LF code no.	Description
1	1381113	STAINLESS STEEL CONE
2	1381162	STAINLESS STEEL SAFETY RING
7	1186604	OIL SEAL \varnothing 24x15x7 mm
8	3186143	GASKET OR 04093 EPDM
9	1186598	FLAT GASKET \varnothing 45x35x1 mm
12	1381110	COVER LID
13	1381114	JUG LID
14	1080029	PLASTIC JUG 1.5 L
15	1186488	JUG GASKET \varnothing 72x55x3 mm
16	1718009	BLADE GROUP
18	1381107	FEMALE GEAR 4 TEETH
32	3240407	MECHANICAL MICROSWITCH KIT 16A 250V
33	1319177	ONE SPEED SWITCH 16A 250V
34	1319176	TWO SPEED SWITCH 16A 250V
39	3240407	MECHANICAL MICROSWITCH KIT 16A 250V
49	1718015	ICE CRUSHING KNIFE
51	3068016	CAPACITOR μ F 10 450V 50/60Hz
57	3240407	MECHANICAL MICROSWITCH KIT 16A 250V
60	1718013	MIXER ASSEMBLY



BLENDER M98-M98/2-M105





CEADO



Position	LF code no.	Description
7	1381165	PLASTIC MIXER
12	1240032	MICROSWITCH 16A 250V
14	1319175	BLACK BIPOLAR SWITCH 12A 250V
20	1381161	STAINLESS STEEL JUG SUPPORT
35	1381164	PLASTIC MIXER



CEADO



Position	LF code no.	Description
7	1718014	BLADE DISC \varnothing 120 mm
14	1186605	O-RING 03375 EPDM
20	1319053	BIPOLAR SWITCH 16A 250V
21	1319189	SINGLE POLE PUSH-BUTTON 16A 250V
22	1319190	ROUND PUSH-BUTTON HOLDER
23	1319191	BLACK ROUND CAP 0-1
24	1319192	START GREEN ROUND CAP
35	1240032	MICROSWITCH 16A 250V
52	1186600	GASKET V RING NBR \varnothing 20x14x6 mm
59	3068008	CAPACITOR μ F 5 450V 50/60Hz



Suitable for:

CEADO



Suitable for:

Capacitors

3068016 CAPACITOR μF 10 450V 50/60Hz
operating temperature $-25+85^{\circ}\text{C}$
in compliance with EEC 93/68 and 92/31 regulations



CEADO 50104

3068008 CAPACITOR μF 5 450V 50/60Hz
operating temperature $-25+85^{\circ}\text{C}$
in compliance with EEC 93/68 and EEC 92/31 regulat



CEADO 50107

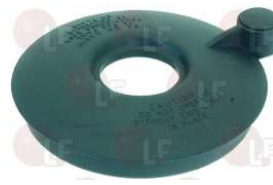
Citrus squeezers and accessories

1381110 COVER LID



CEADO 70107

1381109 JUG LID



CEADO 90111

1381114 JUG LID



CEADO 90104

1381164 PLASTIC MIXER



CEADO 70133

1381165 PLASTIC MIXER



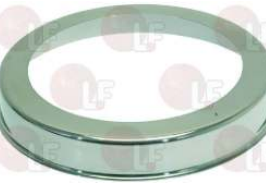
CEADO 70121

1381161 STAINLESS STEEL JUG SUPPORT



CEADO 20113

1381162 STAINLESS STEEL SAFETY RING



CEADO 20520



Cones for citrus squeezers

1381060 BIG PLASTIC CONE VERSION 2000



CEADO 70110

1381117 PLASTIC SIEVE



CEADO 70114

1381118 PLASTIC SIEVE



CEADO 70120

1381112 SMALL CONE



CEADO 70109

1381113 STAINLESS STEEL CONE



CEADO 90114

Gaskets and seals

1186598 FLAT GASKET \varnothing 45x35x1 mm



CEADO 75506

3186143 GASKET OR 04093 EPDM



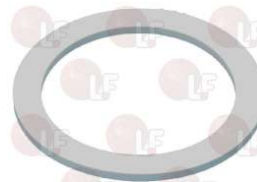
CEADO 75505

1186600 GASKET V RING NBR \varnothing 20x14x6 mm



CEADO 75516

**1186488 JUG GASKET \varnothing 72x55x3 mm
for Blender (SAMMIC) TB-1000**



CEADO 75503

1186559 MOTOR SEALING GASKET



CEADO 75508

1186605 O-RING 03375 EPDM



CEADO 75515



Suitable for:

CEADO



Suitable for:

1186604 OIL SEAL \varnothing 24x15x7 mm



CEADO 75501

Gears

1381107 FEMALE GEAR 4 TEETH



CEADO 70103

1381108 MALE GEAR 4 TEETH



CEADO 45107

Heating elements

3755717 HEATING ELEMENT 750/820W 220/230V
length 175 mm - width 175 mm
for Panini grill electric (CEADO) BD



CEADO 50115

3755726 HEATING ELEMENT 850/930W 220/230V
length 175 mm - width 175 mm
for Panini grill electric (CEADO) BD



CEADO 50114

3755727 QUARTZ HEATING ELEMENT
length 370 mm - \varnothing 10 mm
for Toaster electric (CEADO) G3 - G6



CEADO 50111

Jugs for blenders

1080029 PLASTIC JUG 1.5 L

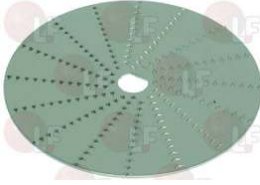


CEADO 70105



Knives

1718014 BLADE DISC ø 120 mm



CEADO 20188

1718009 BLADE GROUP



CEADO 90101

1718015 ICE CRUSHING KNIFE



CEADO 20102

1718013 MIXER ASSEMBLY



CEADO 90102

Lamps

3221132 GREEN INDICATOR LAMP 230V
head ø 13.5 mm - hole ø 10 mm - 120°C
universal application



CEADO 50120

3221095 ORANGE INDICATOR LAMP 230V
head ø 13.5 mm - hole ø 10 mm - 120°C
universal application



CEADO 50119

Microswitches

3240407 MECHANICAL MICROSWITCH KIT 16A 250V
3 locking positions
the kit includes 5 levers:
lever 75 mm - lever 27 mm - lever 15 mm
lever 15 mm with wheels - lever 27 mm with wheels



CEADO 50105

1240032 MICROSWITCH 16A 250V



CEADO 50123



Suitable for:

CEADO



Suitable for:

Pliers for sandwiches

3317051 GRILL PLIER
length 100 mm
height 180 mm
for Toaster



CEADO 45603

Springs

3250143 SPRING \varnothing 24x113 mm



CEADO 45504

Switches

1319053 BIPOLAR SWITCH 16A 250V



CEADO 50140

1319175 BLACK BIPOLAR SWITCH 12A 250V
silk-screen printing 0 - I
max.temperature 120°C
mounting hole 13x20 mm
for Frappe Blender (CEADO) M98
for Juice extractor (CEADO) S15
for Juice extractor (DYNAMIC) PA96



CEADO 50108

1319191 BLACK ROUND CAP 0-1



CEADO 50139

3319468 BLACK SINGLE POLE SWITCH 16A 250V
silk-screen printing 0 - I
max temperature 120°C
mounting hole 11x30 mm
for CAB FAST COLD 1-2-3/NEW FABY 1-2-3
for COFRIMELL FRIGO DRINK COF-COLDREAM-JETCOF-
MEGA25-MEGA40-NEWCOF
for Frigo drink (COFRIMELL) COF - COLDREAM
JETCOF - MEGA25 - MEGA40 - NEWCOF
for Granita machine (CAB) FAST COLD1 - FAST COLD2
FAST COLD3 - NEW FABY1 - NEW FABY2 - NEW FABY3



CEADO 50113



CEADO



Suitable for:

1319188 LEVER BIPOLAR SWITCH 10A 250V



CEADO 50133

Suitable for:

1319177 ONE SPEED SWITCH 16A 250V



CEADO 50138

CEADO 50140

CEADO 90124

1319190 ROUND PUSH-BUTTON HOLDER



CEADO 50137

1319187 SINGLE POLE LEVER SWITCH 15A 250V



CEADO 50134

1319189 SINGLE POLE PUSH-BUTTON 16A 250V



CEADO 50151

1319192 START GREEN ROUND CAP



CEADO 50152

1319176 TWO SPEED SWITCH 16A 250V



CEADO 50141

CEADO 50148

CEADO 90125

1319350 WHITE BIPOLAR SWITCH 16A 250V
with push-button cover
0-1 silk-screen printing
mounting hole 22x30 mm



CEADO

Terminal blocks

3247019 5-POLE TERMINAL BLOCK FV273 40A 450V
for cable max 6 mm²
operating temperature 150°C
nominal voltage 450 V



CEADO 50125



Suitable for:

CEADO



Suitable for:

Thermostats

3444174 SINGLE-PHASE THERMOSTAT 50-320°C

D-shaped pin \varnothing 6x4.6 mm
capillary length 900 mm - 16A 250V
bulb \varnothing 3x220 mm



CEADO 50116

Timers

3446138 TIMER 15 MINUTES M2

mechanical movement with balance wheel
manually set mechanical timer
manually set cycle 15 minutes
2 poles with contact capacity 16(4)A 250V
max temperature 125°C
square pin 3x3 mm



CEADO 50112

3241168

BLACK KNOB 38x38 mm

square hole 3x3 mm
for Bread toaster (ARISTARCO)

