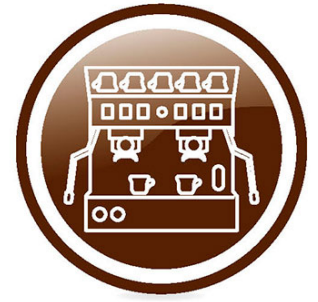




# Spare parts for the professional sector: Espresso coffee machines



Suitable for:

# AZKOYEN

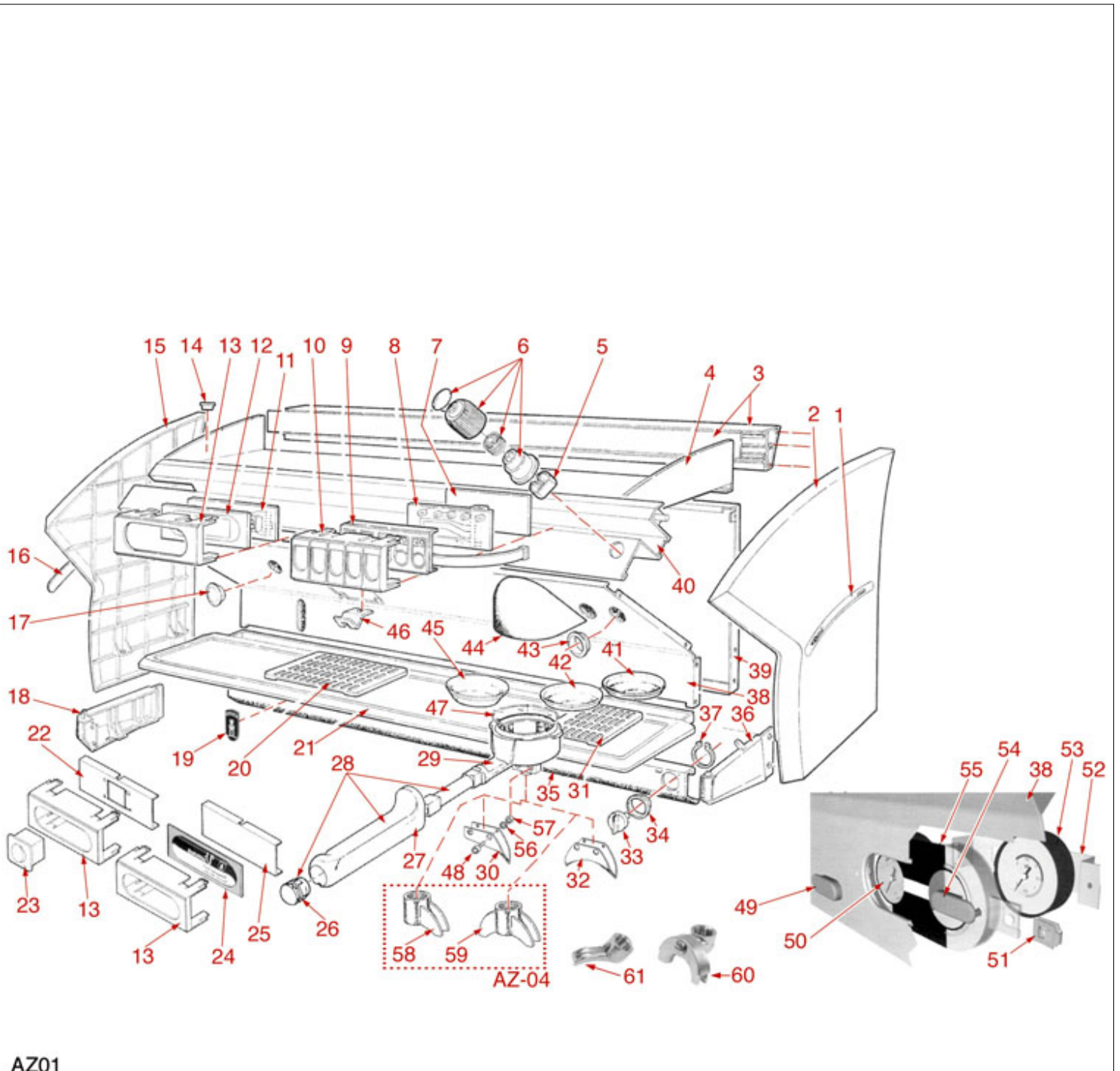


This catalogue is automatically generated.  
Therefore, the sequence of the items might  
not be always shown at best.  
Updates will be issued in case of additions  
and/or amendments.  
*Suitable universal spare parts may not be included*





## BODY



AZ01



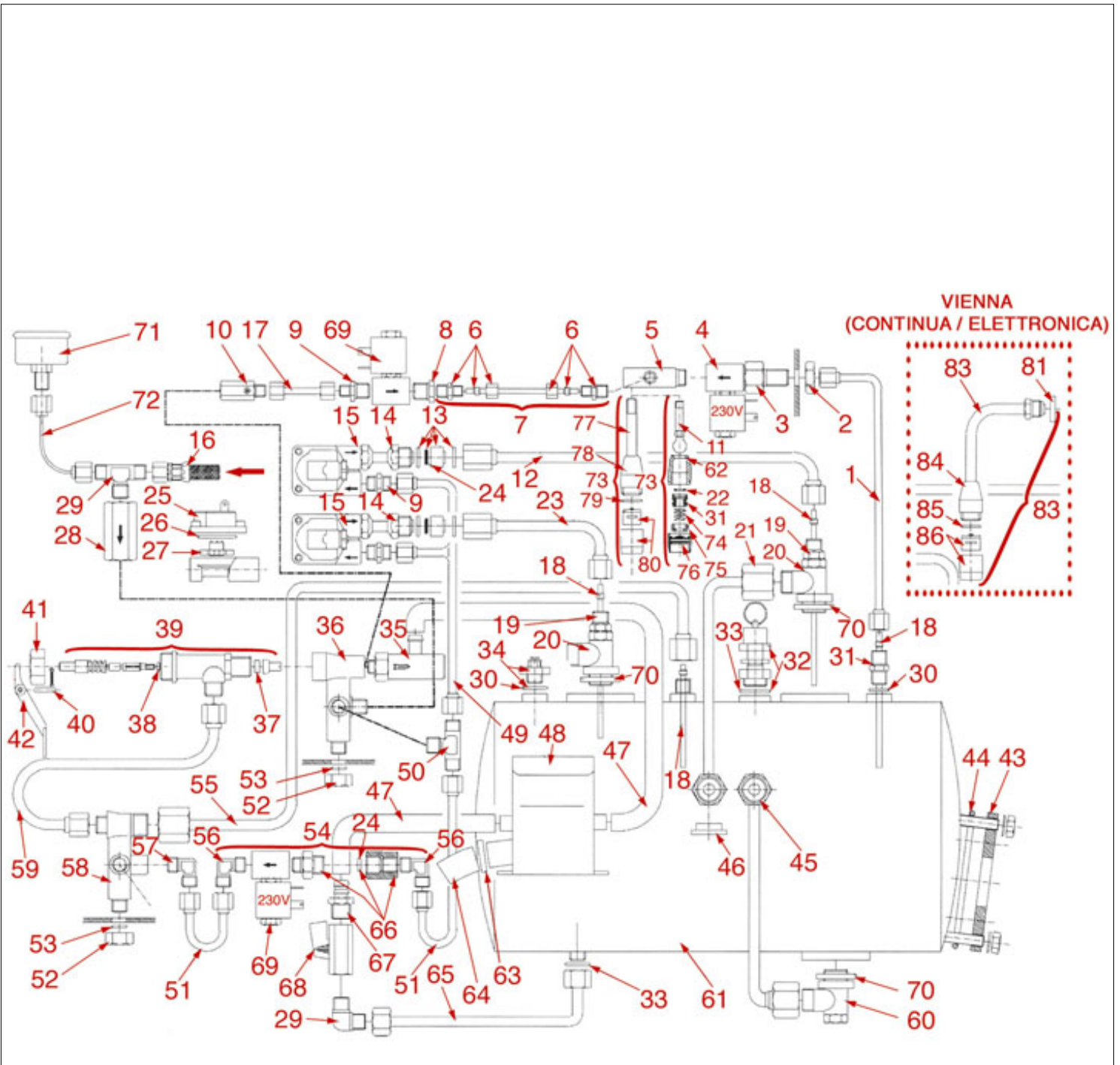
# AZKOYEN



Position	LF code no.	Description
5	1241561	ELASTIC RING FOR KNOB
30	1022511	SPOUT 1 CUP
32	1022512	DOUBLE SPOUT
41	1160339	BLIND FILTER $\varnothing$ 70x17 mm
42	1160251	1 CUP FILTER 6 g $\varnothing$ 70x20.5 mm
42	1160335	1 CUP FILTER 7 g $\varnothing$ 70x24,5 mm
45	1160252	FILTER 2-CUP 12 g $\varnothing$ 70x21 mm
45	1160337	FILTER 2-CUP 14 g $\varnothing$ 70x24,5 mm
47	1250101	FILTER LOCKING SPRING $\varnothing$ 1,00 mm INOX
48	1528012	CYLINDER HEAD SCREW M5x14
58	1022550	SPOUT 1 CUP $\varnothing$ 3/8"
59	1022524	DOUBLE SPOUT $\varnothing$ 3/8"
60	1022502	DOUBLE SPOUT $\varnothing$ 3/8"
61	1022504	SPOUT 1 CUP CLOSED $\varnothing$ 3/8"



## BOILER



AZ02





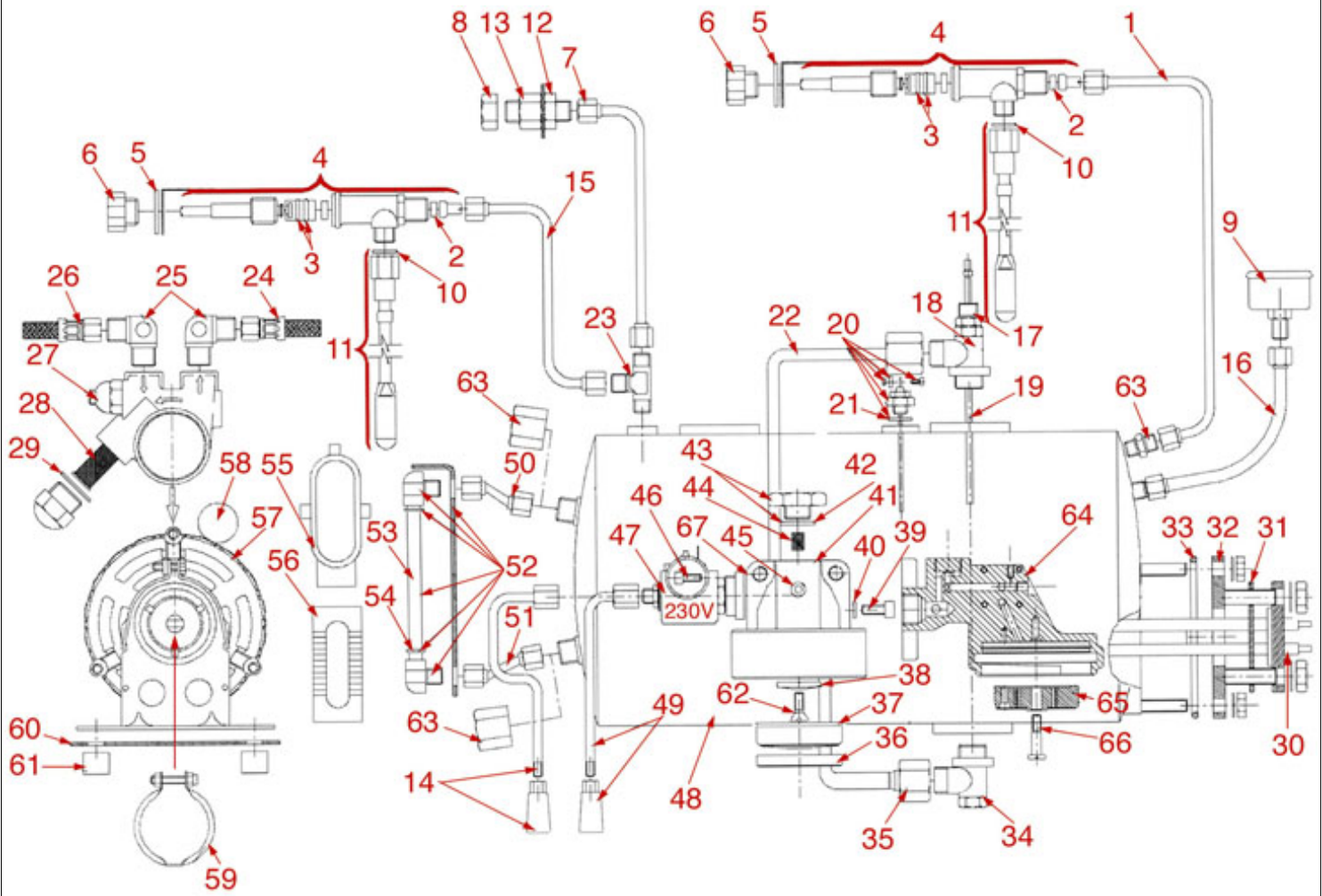
# AZKOYEN



Position	LF code no.	Description
15	1455067	VOLUMETRIC FLOW METER GICAR
26	1186631	O-RING 02112 VITON
27	1455032	IMPELLER GICAR
32	1515100	BOILER VALVE $\varnothing$ 3/8"M 1.8bar CE-PED
32	1515110	BOILER VALVE $\varnothing$ 1/2"M 1.8bar CE-PED
34	1523534	EXHAUST VALVE $\varnothing$ 1/4"M
34	1523537	EXHAUST VALVE $\varnothing$ 1/4"M
39	1359008	WATER-STEAM TAP $\varnothing$ 3/8"
69	1120153	2-WAY SOLENOID VALVE PARKER 110V 50/60Hz
69	1120354	2-WAY SOLENOID VALVE PARKER 230V 50/60Hz



COFFEE GROUP AND BOILER ASSEMBLY



AZ03

Positions without LF code no.: upon request



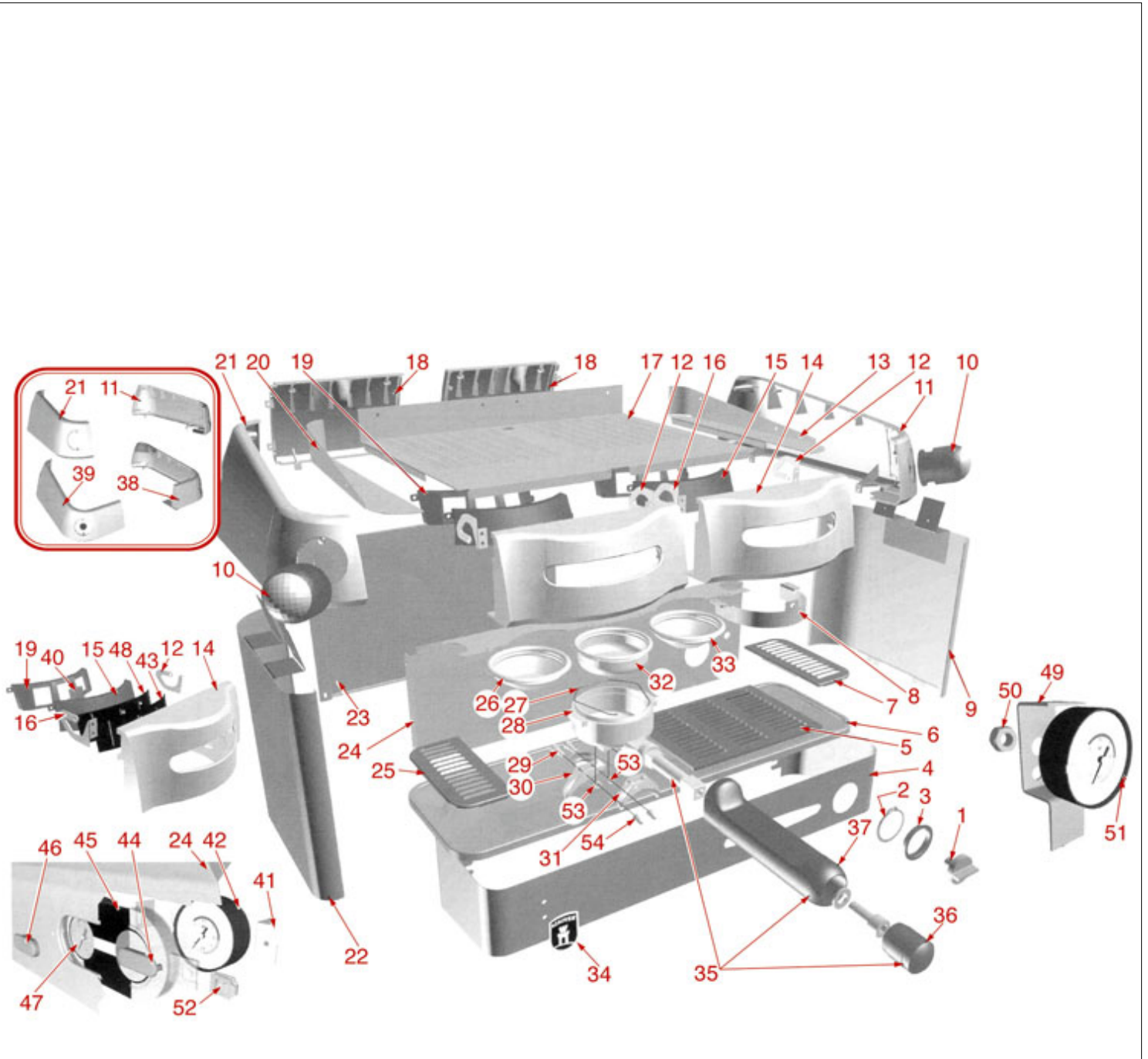
# AZKOYEN



Position	LF code no.	Description
2	1186581	FLAT PTFE GASKET $\varnothing$ 13x3x4 mm
3	1186255	O-RING 0109 EPDM
27	1330016	ROTARY VANE PUMP PROCON $\varnothing$ 3/8" NPT
31	1186584	TRIANGULAR GASKET FOR HEATING ELEMENT
33	1186583	BOILER GASKET $\varnothing$ 100x94.5x3 mm
36	1186722	FILTER HOLDER GASKET $\varnothing$ 73x57x8 mm
36	1186724	FILTER HOLDER GASKET $\varnothing$ 73x57x9 mm
37	1081016	SHOWER SCREEN $\varnothing$ 60 mm
42	1186323	PTFE FLAT GASKET $\varnothing$ 24x18x2 mm
44	1160517	WATER FILTER $\varnothing$ 8.5x22 mm
46	1455034	CYLINDER HEAD SCREW M4x10
47	1120101	3-WAY SOLENOID VALVE PARKER 115V 50/60Hz
47	1120102	3-WAY SOLENOID VALVE LUCIFER 115V 60Hz
47	1120330	3-WAY SOLENOID VALVE LUCIFER 240V 50Hz
47	1120335	3-WAY SOLENOID VALVE PARKER 230V 50/60Hz
53	1201024	LEVEL GLASS $\varnothing$ 13x138 mm SILK-SCREEN PRIN
54	1186458	RED SILICONE RING 03050
57	1240702	MOTOR RPM WITH CLAMP CONNECTION 165W
59	1168011	STAINLESS STEEL CLAMP FOR FLANGE PUMP



## BODY



AZ05





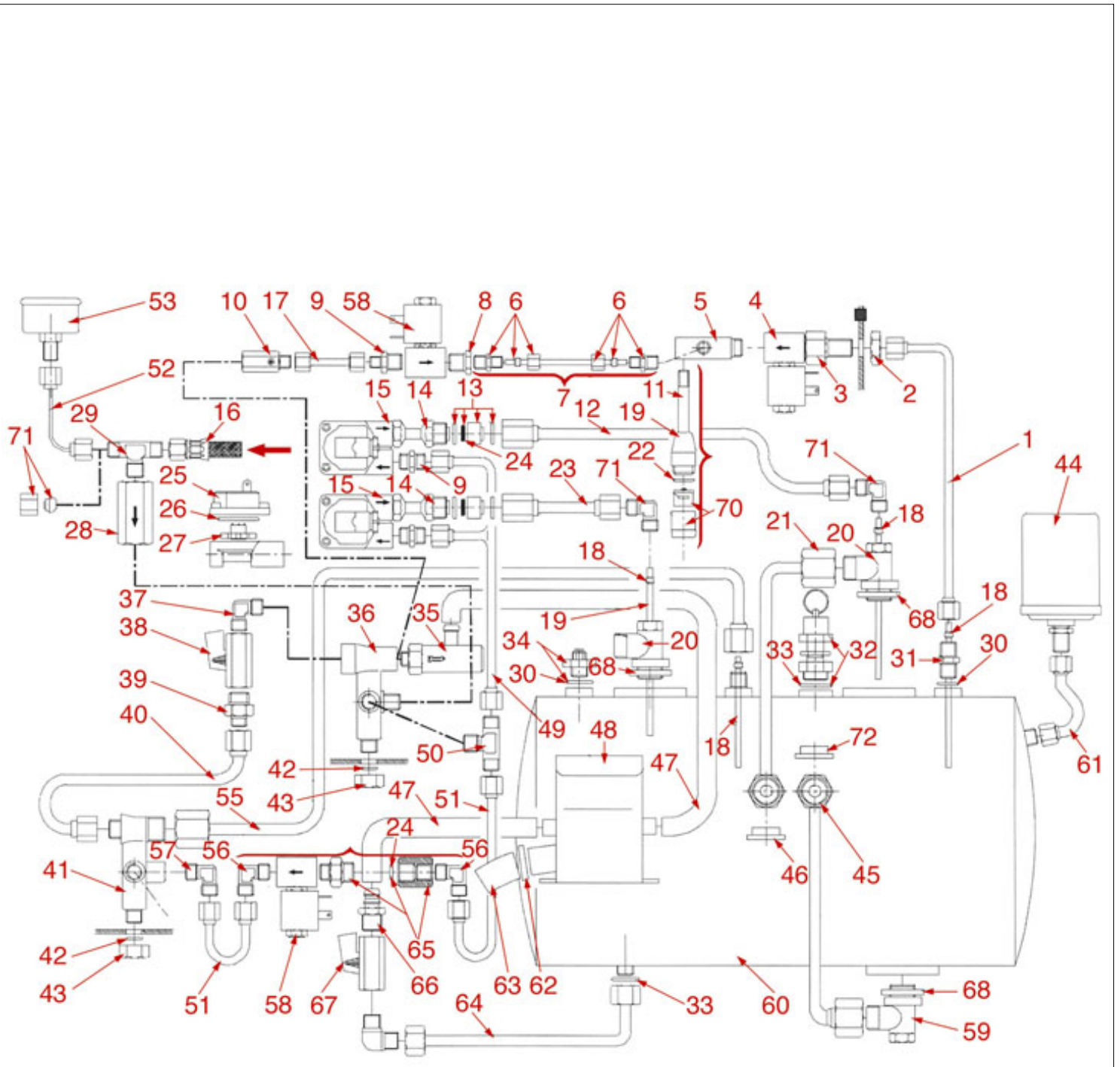
# AZKOYEN



Position	LF code no.	Description
26	1160251	1 CUP FILTER 6 g $\varnothing$ 70x20.5 mm
26	1160335	1 CUP FILTER 7 g $\varnothing$ 70x24,5 mm
32	1160252	FILTER 2-CUP 12 g $\varnothing$ 70x21 mm
32	1160337	FILTER 2-CUP 14 g $\varnothing$ 70x24,5 mm
33	1160339	BLIND FILTER $\varnothing$ 70x17 mm



## BOILER ASSEMBLY



AZ06



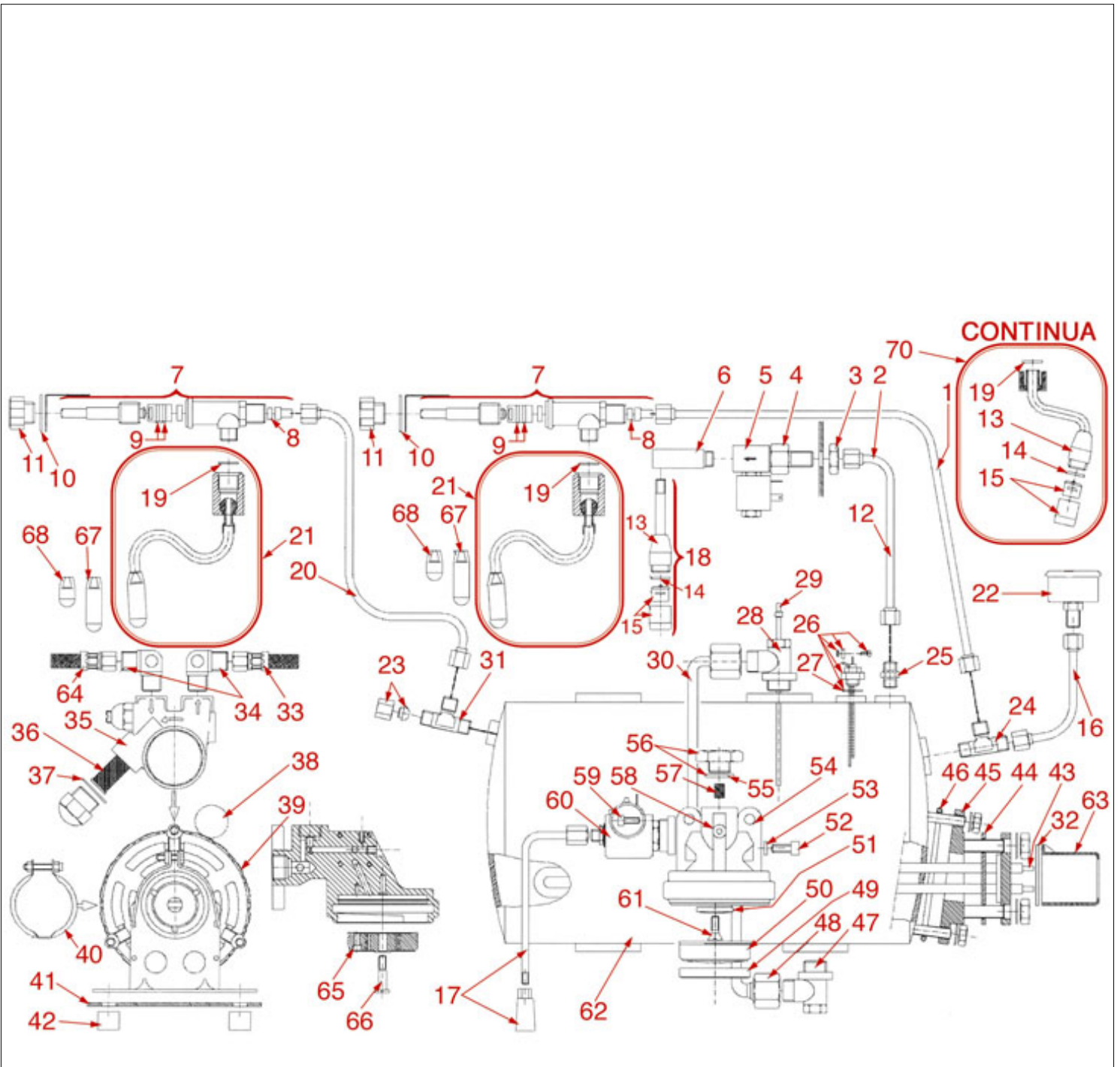
# AZKOYEN



Position	LF code no.	Description
15	1455067	VOLUMETRIC FLOW METER GICAR
26	1186631	O-RING 02112 VITON
27	1455032	IMPELLER GICAR
34	1523534	EXHAUST VALVE $\varnothing$ 1/4"M
34	1523537	EXHAUST VALVE $\varnothing$ 1/4"M
44	1320531	PRESSURE SWITCH P302/6 3-POLES 30A
44	1320541	PRESSURE SWITCH PARKER 3-POLES 25A
67	3526702	BALLCOCK VALVE $\varnothing$ 3/8"FF



## COFFEE GROUP AND BOILER ASSEMBLY



AZ07





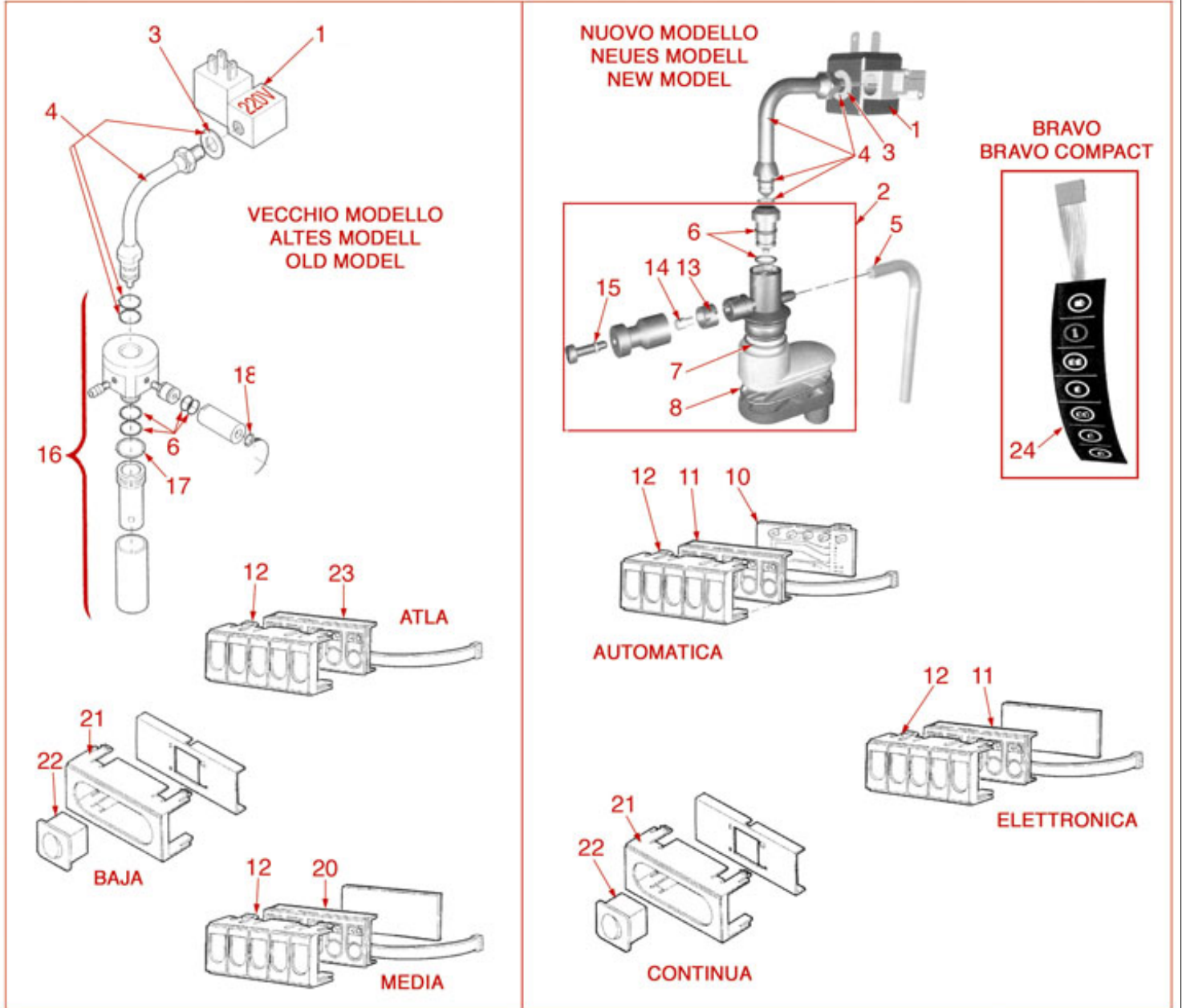
# AZKOYEN



Position	LF code no.	Description
8	1186588	EPDM FLAT GASKET $\varnothing$ 13x3x4 mm
9	1186255	O-RING 0109 EPDM
19	1186201	GASKET FLAT PTFE $\varnothing$ 21x16.8x2 mm
35	1330016	ROTARY VANE PUMP PROCON $\varnothing$ 3/8" NPT
39	1240702	MOTOR RPM WITH CLAMP CONNECTION 165W
40	1168011	STAINLESS STEEL CLAMP FOR FLANGE PUMP
43	1455009	HEATING ELEMENT 3600W 220V
43	1755036	HEATING ELEMENT 3000W 230V
43	1755037	HEATING ELEMENT 4500W 230V
44	1186584	TRIANGULAR GASKET FOR HEATING ELEMENT
49	1186722	FILTER HOLDER GASKET $\varnothing$ 73x57x8 mm
49	1186724	FILTER HOLDER GASKET $\varnothing$ 73x57x9 mm
50	1081016	SHOWER SCREEN $\varnothing$ 60 mm
59	1455034	CYLINDER HEAD SCREW M4x10
60	1120101	3-WAY SOLENOID VALVE PARKER 115V 50/60Hz
60	1120102	3-WAY SOLENOID VALVE LUCIFER 115V 60Hz
60	1120330	3-WAY SOLENOID VALVE LUCIFER 240V 50Hz
60	1120335	3-WAY SOLENOID VALVE PARKER 230V 50/60Hz



## MISCELLANEOUS





# AZKOYEN



Position	LF code no.	Description
1	1120153	2-WAY SOLENOID VALVE PARKER 110V 50/60Hz
1	1120354	2-WAY SOLENOID VALVE PARKER 230V 50/60Hz



Suitable for:

# AZKOYEN



Suitable for:

## Boiler safety valves

**1515110 BOILER VALVE  $\varnothing$  1/2" M 1.8bar CE-PED**  
calibration pressure 1.8 bar  
steam outlet capacity 6.3 Kg/h



AZKOYEN

**1515100 BOILER VALVE  $\varnothing$  3/8" M 1.8bar CE-PED**  
calibration pressure 1.8 bar  
steam outlet capacity 6.3 Kg/h  
for Coffee machine (AZKOYEN) AZ04 - BRAVO - VIENNA



AZKOYEN

AZKOYEN LF-1523535

**1523534 EXHAUST VALVE  $\varnothing$  1/4" M**  
stainless steel - new model  
internal PTFE coating - or viton  
for Coffee machine (AZKOYEN) AZ04 - BRAVO - VIENNA



AZKOYEN

**1523537 EXHAUST VALVE  $\varnothing$  1/4" M**  
stainless steel - old model  
or viton



AZKOYEN

## Brushes

**1384023 BRUSH FOR CLEANING 50 mm**



AZKOYEN

**1384002 BRUSH FOR MAINTENANCE**



AZKOYEN

**1384001 SHOWER CLEANING BRUSH**  
100% made in Italy



AZKOYEN

**1384014 SHOWER CLEANING BRUSH RED**



AZKOYEN

## Clamps

**1168011 STAINLESS STEEL CLAMP FOR FLANGE PUMP**



AZKOYEN





## Coffee filters

**1160339 BLIND FILTER  $\varnothing$  70x17 mm**  
edge  $\varnothing$  70 mm - height 17 mm  
for Coffee machine (AZKOYEN) AZ04 - VIENNA



AZKOYEN

**1460067 FILER 2 CUPS 12 gr  $\varnothing$  70x21 mm**  
border  $\varnothing$  70 mm - height 21 mm  
made in China



AZKOYEN

**5108084 FILTER 1 CUP 6 g  $\varnothing$  70x20.5 mm**  
border  $\varnothing$  70 mm - height 20.5 mm  
made in China



AZKOYEN

**1460065 FILTER 1 CUP 7 g  $\varnothing$  70x24.5 mm**  
edge  $\varnothing$  70 mm - h 24.5 mm  
made in China



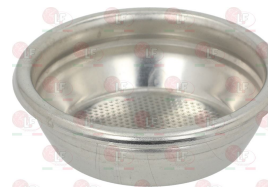
AZKOYEN

**1460066 FILTER 2 CUPS 14 g  $\varnothing$  70x24.5 mm**  
edge  $\varnothing$  70 mm - h 24.5 mm  
made in China



AZKOYEN

**1160252 FILTER 2-CUP 12 g  $\varnothing$  70x21 mm**  
edge  $\varnothing$  70 mm - height 21 mm  
for Coffee machine (AZKOYEN) AZ04 - VIENNA



AZKOYEN

**1160282 FILTER 2-CUP 14 g - COST EFFECTIVE**  
edge  $\varnothing$  70 mm - height 25 mm



AZKOYEN

**1160337 FILTER 2-CUP 14 g  $\varnothing$  70x24,5 mm**  
edge  $\varnothing$  70 mm - height 24.5 mm  
for Coffee machine (AZKOYEN) AZ04 - VIENNA



AZKOYEN

**1160251 1 CUP FILTER 6 g  $\varnothing$  70x20.5 mm**  
edge  $\varnothing$  70 mm - height 20.5 mm  
for Coffee machine (AZKOYEN) AZ04 - VIENNA



AZKOYEN

**1160335 1 CUP FILTER 7 g  $\varnothing$  70x24,5 mm**  
edge  $\varnothing$  70 mm - height 24.5 mm  
for Coffee machine (AZKOYEN) AZ04 - VIENNA



AZKOYEN



Suitable for:

# AZKOYEN



Suitable for:

**1160281 1-CUP FILTER 7 gr - BASIC QUALITY**  
edge ø 70 mm - height 24.5 mm



AZKOYEN

## Coffee measuring spoons

**1069001 PLASTIC MEASURING SPOON 20 ml**  
overall length 195 mm



AZKOYEN

**1069002 STAINLESS STEEL MEASURING SPOON 20 ml**  
material stainless steel AISI304  
overall length 195 mm



AZKOYEN

## Coffee spouts

**1022522 ADJUSTABLE LONG DOUBLE SPOUT ø 3/8"**



AZKOYEN

**1022523 ADJUSTABLE SHORT DOUBLE SPOUT ø 3/8"**



AZKOYEN

**1022512 DOUBLE SPOUT**  
distance between holes 18 mm  
for Coffee machine (AZKOYEN) AZ04 - VIENNA



AZKOYEN

**1022502 DOUBLE SPOUT ø 3/8"**  
for Coffee machine (AZKOYEN) AZ04 - VIENNA



AZKOYEN

**1022524 DOUBLE SPOUT ø 3/8"**



AZKOYEN

**1022521 LONG DOUBLE SPOUT ø 3/8"**



AZKOYEN

Suitable for:

**1022511 SPOUT 1 CUP**  
distance between holes 18 mm  
for Coffee machine (AZKOYEN) AZ04 - VIENNA



AZKOYEN

Suitable for:

**1022501 SPOUT 1 CUP ø 3/8"**  
for Coffee machine (AZKOYEN) AZ04 - VIENNA



AZKOYEN

**1022550 SPOUT 1 CUP ø 3/8"**



AZKOYEN

**1022504 SPOUT 1 CUP CLOSED ø 3/8"**



AZKOYEN

**1022503 SPOUT 1 CUP STRAIGHT ø 3/8"**



AZKOYEN

**1022551 TRIPLE SPOUT ø 3/8"**



AZKOYEN

**5031337 1-CUP STRAIGHT SHORT SPOUT ø 3/8"**



AZKOYEN

## Detergents

**3092543 COFFEE CLEAN DETERGENT 570 g**  
detergent for COFFEE MACHINES  
suitable for the cleaning of filter holders  
for grease and coffee stains on sauser and cups



AZKOYEN

**3092355 DETERGENT CAPPUCCINO PERFECT 1 L**  
to clean milk frothers  
please see the attached documentation for use



AZKOYEN



Suitable for:

# AZKOYEN



## 3092351 DETERGENT COFFEE CLEAN

package with 15 bags 20 g  
for coffee groups cleaning



AZKOYEN

Suitable for:

## 3092350 DETERGENT COFFEE CLEAN TABLET 2.5 g

jar with 60 tablets 2.5 g  
for coffee groups cleaning



AZKOYEN

## 3092143 DETERGENT COFFEE CLEAN 900 g

detergent for COFFEE MACHINES  
suitable for cleaning filters and filter holders  
for grease and coffee stains on cups and saucers  
please see the attached documentation for use



AZKOYEN

## 3092353 SCALE REMOVER SCALE CLEAN

package with 12 bags 25 g  
for the cleaning of BABY coffee machines  
please see the attached documentation for use



AZKOYEN

## 3092352 SCALE REMOVER SCALE CLEAN 1 kg

acid descaler for aluminium surfaces  
copper, brass, iron



AZKOYEN

## Drain hoses

### 1449270 DRAIN HOSE ELISPIR ø 12x18 mm - 30 m alimentary



AZKOYEN

### 1449670 DRAIN HOSE ELISPIR ø 12x18 mm - 5 m alimentary



AZKOYEN

### 1449271 DRAIN HOSE ELISPIR ø 14x20 mm - 30 m alimentary



AZKOYEN

### 1449671 DRAIN HOSE ELISPIR ø 14x20 mm - 5 m alimentary



AZKOYEN



Suitable for:

**1449272 DRAIN HOSE ELISPIR  $\varnothing$  16x23 mm - 30 m**  
alimentary



AZKOYEN

Suitable for:

**1449672 DRAIN HOSE ELISPIR  $\varnothing$  16x23 mm - 5 m**  
alimentary



AZKOYEN

**1449273 DRAIN HOSE ELISPIR  $\varnothing$  18x25 mm - 30 m**  
alimentary



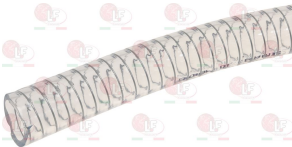
AZKOYEN

**1449673 DRAIN HOSE ELISPIR  $\varnothing$  18x25 mm - 5 m**  
alimentary



AZKOYEN

**1449274 DRAIN HOSE ELISPIR  $\varnothing$  20x27 mm - 30 m**  
alimentary



AZKOYEN

**1449674 DRAIN HOSE ELISPIR  $\varnothing$  20x27 mm - 5 m**  
alimentary



AZKOYEN

**1449255 DRAIN HOSE ELISPIR  $\varnothing$  25x33 mm**  
sale per linear metre



AZKOYEN

**1449256 DRAIN HOSE ELISPIR  $\varnothing$  30x38 mm**  
sale per linear metre



AZKOYEN

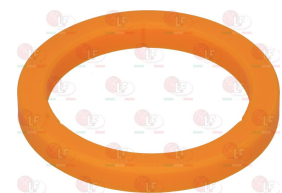
## Filter holder gaskets

**1186722 FILTER HOLDER GASKET  $\varnothing$  73x57x8 mm**  
for Coffee machine (AZKOYEN) AZ04 - BRAVO - VIENNA



AZKOYEN LF-1186720

**1486050 FILTER HOLDER GASKET  $\varnothing$  73x57x8 mm**  
with internal grooves  
made of heat-resistant silicone,  
soft texture for an easier  
installation on the unit.  
longer life, better seal and excellent  
visibility thanks to the light colour.  
suitable for groups type E61



AZKOYEN



Suitable for:

# AZKOYEN



**1186723 FILTER HOLDER GASKET  $\varnothing$  73x57x8.5 mm**  
for Coffee machine (AZKOYEN) AZ04 - BRAVO - VIENNA



AZKOYEN

Suitable for:

**1486040 FILTER HOLDER GASKET  $\varnothing$  73x57x8.5 mm**  
with internal grooves  
produced with heat-resistant silicone,  
soft consistency for an easier  
installation on the group.  
longer durability, better sealing and excellent  
visibility thanks to its light colour.  
suitable for groups type E61  
suitable for machines BEZZERA  
suitable for machines BIANCHI  
suitable for machines EXPOBAR  
suitable for machines FAEMA  
suitable for machines SANREMO  
suitable for machines SYNesso  
suitable for machines VIBIEMME



AZKOYEN

**1186724 FILTER HOLDER GASKET  $\varnothing$  73x57x9 mm**  
for Coffee machine (AZKOYEN) AZ04 - BRAVO - VIENNA



AZKOYEN LF-3786546

**1486724 GASKET FILTERHOLDER  $\varnothing$  73x57x10 mm**  
for Coffee machine (AZKOYEN) AZ04 - BRAVO - VIENNA



AZKOYEN

## Filter holder handles

**1241269 FILTER HOLDER HANDLE M10**



AZKOYEN

**1241502 FILTER HOLDER HANDLE M10**



AZKOYEN

**1241505 FILTER HOLDER HANDLE M10**



AZKOYEN

**5054506 FILTER HOLDER HANDLE M10 RED POLISHED**



AZKOYEN

**1141006 FILTER HOLDER HANDLE M10 SOFT**



AZKOYEN

**1141004 FILTER HOLDER HANDLE M10 WALNUT WOOD**



AZKOYEN



# AZKOYEN



Suitable for:

Suitable for:

5083515 FILTER HOLDER HANDLE M10 WALNUT WOOD

1241169 FILTER HOLDER HANDLE M12



AZKOYEN

AZKOYEN

1241501 FILTER HOLDER HANDLE M12

1241504 FILTER HOLDER HANDLE M12



AZKOYEN

AZKOYEN

5054505 FILTER HOLDER HANDLE M12 RED POLISHED

1141003 FILTER HOLDER HANDLE M12 WALNUT WOOD



AZKOYEN

AZKOYEN

5055983 FILTER HOLDER HANDLE M12 WALNUT WOOD

1141007 FILTER HOLDER HANDLE M124 SOFT



AZKOYEN

AZKOYEN

5051751 FILTER HOLDER HANDLE WHITE M10

5051102 FILTER HOLDER HANDLE WHITE M12



AZKOYEN

AZKOYEN

## Filter holder springs

1250333 FILTER LOCKING SPRING  $\varnothing$  1.30 mm ST.STEEL

1250338 FILTER LOCKING SPRING  $\varnothing$  1.40 mm ST.STEEL



AZKOYEN

AZKOYEN



Suitable for:

1250101 FILTER LOCKING SPRING  $\varnothing$  1,00 mm INOX



AZKOYEN

AZKOYEN



Suitable for:

1250002 S/STEEL FILTER LOCKING SPRING  $\varnothing$  1.20 mm



AZKOYEN

## Filters

1160517 WATER FILTER  $\varnothing$  8.5x22 mm  
for Coffee machine (AZKOYEN) AZ04 - BRAVO - VIENNA



AZKOYEN

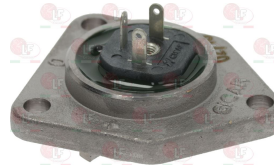
## Flowmeters

1455033 CONNECTOR FEMALE SMALL  
for volumetric flowmeter  
for Coffee machine (AZKOYEN) AZ04 - BRAVO - VIENNA



AZKOYEN

3455333 COVER-HEAD FOR VOLUMETRIC FLOW METER LED  
for Coffee machine (AZKOYEN) AZ04 - BRAVO - VIENNA



AZKOYEN

1455032 IMPELLER GICAR  
for Coffee machine (AZKOYEN) AZ04 - BRAVO - VIENNA



AZKOYEN

1455067 VOLUMETRIC FLOW METER GICAR  
connections  $\varnothing$  1/4"FF - orifice 1.15 mm - NSF  
for Coffee machine (AZKOYEN) AZ04 - BRAVO - VIENNA



AZKOYEN LF-1455351

1455033 CONNECTOR FEMALE SMALL  
for volumetric flowmeter  
for Coffee machine (AZKOYEN) AZ04 - BRAVO - VIENNA



AZKOYEN



Suitable for:

**3455333 COVER-HEAD FOR VOLUMETRIC FLOW METER LED**  
for Coffee machine (AZKOYEN) AZ04 - BRAVO - VIENNA



AZKOYEN

**1186631 O-RING 02112 VITON**  
ring thickness 1.78 mm - internal  $\varnothing$  28.30 mm  
for Coffee machine (AZKOYEN) AZ04 - BRAVO - VIENNA



AZKOYEN

# AZKOYEN



Suitable for:

**1455032 IMPELLER GICAR**  
for Coffee machine (AZKOYEN) AZ04 - BRAVO - VIENNA



AZKOYEN

## Gaskets and seals

**1186619 COPPER FLAT GASKET  $\varnothing$  18x14x1.5 mm**  
for Coffee machine (AZKOYEN) AZ04 - BRAVO - VIENNA



AZKOYEN

**1186588 EPDM FLAT GASKET  $\varnothing$  13x3x4 mm**



AZKOYEN

**1186581 FLAT PTFE GASKET  $\varnothing$  13x3x4 mm**



AZKOYEN

**1186201 GASKET FLAT PTFE  $\varnothing$  21x16.8x2 mm**



AZKOYEN

**1186314 PTFE FLAT GASKET  $\varnothing$  22x17x2 mm**  
for Coffee machine (AZKOYEN) AZ04 - BRAVO - VIENNA



AZKOYEN

**1186323 PTFE FLAT GASKET  $\varnothing$  24x18x2 mm**



AZKOYEN



Suitable for:

# AZKOYEN



**1186584 TRIANGULAR GASKET FOR HEATING ELEMENT**  
free of asbestos  
dimensions 70x70x2 mm - internal hole  $\varnothing$  40 mm  
for Coffee machine (AZKOYEN) AZ04 - BRAVO - VIENNA



AZKOYEN

Suitable for:

**1186635 TRIANGULAR GASKET FOR HEATING ELEMENT**  
universal carbo  
dimensions 70x70x2 mm - internal hole  $\varnothing$  40 mm



AZKOYEN

**1786006 TRIANGULAR GASKET FOR HEATING ELEMENT**  
PTFE  
dimensions 70x70x2 mm - internal hole  $\varnothing$  40 mm



AZKOYEN

## Gaskets for coffee machine boiler

**1186583 BOILER GASKET  $\varnothing$  100x94.5x3 mm**  
viton  
for Coffee machine (AZKOYEN) AZ04 - BRAVO - VIENNA



AZKOYEN

## Heating elements

**1755036 HEATING ELEMENT 3000W 230V**  
immersed length 360 mm - 4 poles  
distance between the holes 52 mm  
flange 71x71 mm  
for coffee machines with 2 groups  
for Coffee machine (AZKOYEN) AZ04 - BRAVO - VIENNA



AZKOYEN

**1186584 TRIANGULAR GASKET FOR HEATING ELEMENT**  
free of asbestos  
dimensions 70x70x2 mm - internal hole  $\varnothing$  40 mm  
for Coffee machine (AZKOYEN) AZ04 - BRAVO - VIENNA



AZKOYEN





Suitable for:

**1186635 TRIANGULAR GASKET FOR HEATING ELEMENT**  
universal carbo  
dimensions 70x70x2 mm - internal hole  $\varnothing$  40 mm



AZKOYEN

**1455009 HEATING ELEMENT 3600W 220V**  
immersed length 255 mm - 6 poles  
distance between the holes 52 mm  
flange 71x71 mm  
for coffee machines with 2 groups  
for Coffee machine (AZKOYEN) AZ04 - BRAVO - VIENNA



AZKOYEN

**1186635 TRIANGULAR GASKET FOR HEATING ELEMENT**  
universal carbo  
dimensions 70x70x2 mm - internal hole  $\varnothing$  40 mm



AZKOYEN

**1755037 HEATING ELEMENT 4500W 230V**  
immersed length 350 mm - 6 poles  
distance between fixing holes 52 mm  
flange 71x71 mm  
for 3 group coffee machines  
for Coffee machine (AZKOYEN) AZ04 - BRAVO - VIENNA



AZKOYEN

**1186635 TRIANGULAR GASKET FOR HEATING ELEMENT**  
universal carbo  
dimensions 70x70x2 mm - internal hole  $\varnothing$  40 mm



AZKOYEN

# AZKOYEN



Suitable for:

**1786006 TRIANGULAR GASKET FOR HEATING ELEMENT**  
PTFE  
dimensions 70x70x2 mm - internal hole  $\varnothing$  40 mm



AZKOYEN

**1186584 TRIANGULAR GASKET FOR HEATING ELEMENT**  
free of asbestos  
dimensions 70x70x2 mm - internal hole  $\varnothing$  40 mm  
for Coffee machine (AZKOYEN) AZ04 - BRAVO - VIENNA



AZKOYEN

**1786006 TRIANGULAR GASKET FOR HEATING ELEMENT**  
PTFE  
dimensions 70x70x2 mm - internal hole  $\varnothing$  40 mm



AZKOYEN

**1186584 TRIANGULAR GASKET FOR HEATING ELEMENT**  
free of asbestos  
dimensions 70x70x2 mm - internal hole  $\varnothing$  40 mm  
for Coffee machine (AZKOYEN) AZ04 - BRAVO - VIENNA



AZKOYEN

**1786006 TRIANGULAR GASKET FOR HEATING ELEMENT**  
PTFE  
dimensions 70x70x2 mm - internal hole  $\varnothing$  40 mm



AZKOYEN



Suitable for:

# AZKOYEN



Suitable for:

## Indicator lights

**1221027 INDICATOR LIGHT GREEN 230V**  
head  $\varnothing$  7 mm - hole  $\varnothing$  5,5 mm  
for Coffee machine (AZKOYEN) AZ04 - VIENNA



AZKOYEN

**3221080 INDICATOR LIGHT RED 230V**  
head  $\varnothing$  13.5 mm - hole  $\varnothing$  10 mm - 120°C  
for Coffee machine (AZKOYEN) AZ04 - VIENNA



AZKOYEN

## Ironmongery (screws,nuts,washers)

**1455034 CYLINDER HEAD SCREW M4x10**  
stainless steel - with hexagon socket  
UNI 5931 - DIN 912 - ISO 4762



AZKOYEN

**1528012 CYLINDER HEAD SCREW M5x14**  
stainless steel - cross recessed  
UNI 7687 - DIN 7985 - ISO 7045



AZKOYEN

## Knobs

**1241561 ELASTIC RING FOR KNOB**  
width 9 mm - length 20 mm  
height 12 mm  
for Coffee machine (AZKOYEN) AZ04



AZKOYEN

## Level gauges

**1201024 LEVEL GLASS  $\varnothing$  13x138 mm SILK-SCREEN PRIN**  
for Coffee machine (AZKOYEN) AZ04 - BRAVO - VIENNA



AZKOYEN

## Level probes

1341750 LEVEL PROBE  $\varnothing$  1/4"M-125 mm



AZKOYEN LF-1341754

1341751 LEVEL PROBE  $\varnothing$  1/4"M-150 mm



AZKOYEN

## O-Ring and ORM gaskets

3061011 O-RING SEAL 04375 EPDM

ring thickness 3.53 mm - internal  $\varnothing$  94.84 mm  
for Coffee machine (AZKOYEN) AZ04 - BRAVO - VIENNA



AZKOYEN

1186255 O-RING 0109 EPDM

ring thickness 2.62 mm - internal  $\varnothing$  9.13 mm



AZKOYEN

1186730 O-RING 0114 VITON

ring thickness 1.78 mm - internal  $\varnothing$  11.11 mm  
for Coffee machine (AZKOYEN) AZ04 - BRAVO - VIENNA



AZKOYEN

1186611 O-RING 02025 RED SILICONE

ring thickness 1.78 mm - internal  $\varnothing$  6.07 mm  
for Coffee machine (AZKOYEN)



AZKOYEN

1186612 O-RING 02025 VITON

ring thickness 1.78 mm - internal  $\varnothing$  6.07 mm  
for Coffee machine (AZKOYEN)



AZKOYEN

1186346 O-RING 02043 EPDM

ring thickness 1.78 mm - internal  $\varnothing$  10.82 mm



AZKOYEN

1186631 O-RING 02112 VITON

ring thickness 1.78 mm - internal  $\varnothing$  28.30 mm  
for Coffee machine (AZKOYEN) AZ04 - BRAVO - VIENNA



AZKOYEN

3186245 O-RING 03200 EPDM

ring thickness 2.62 mm - internal  $\varnothing$  50.47 mm



AZKOYEN



Suitable for:

# AZKOYEN



Suitable for:

**1186458 RED SILICONE RING 03050**  
 ring thickness 2.62 mm - internal  $\varnothing$  12.37 mm  
 for Coffee machine (AZKOYEN) AZ04 - BRAVO - VIENNA



AZKOYEN

## Pressure switches

**1320533 MEMBRANE KIT FOR PRESSURE SWITCH**  
 model P302-6  $\varnothing$  55 mm  
 for Coffee machine (AZKOYEN) AZ04 - BRAVO - VIENNA



AZKOYEN

**1320541 PRESSURE SWITCH PARKER 3-POLES 25A**  
 CEI-UL approved  
 connection  $\varnothing$  1/4"  
 scale 0.5÷1.4 bar  
 differential 0.18÷0.03 bar  
 maximum pressure 2.1 bar  
 maximum temperature 140°C



AZKOYEN

**1320531 PRESSURE SWITCH P302/6 3-POLES 30A**  
 CE-SEV-ASE-UL approved  
 ISO 228 G connection 1/4" M for pipe  $\varnothing$  4x6 mm  
 adjustable scale 0.5÷1.4 bar  
 fixed differential 0.15 ( $\pm$  0.06) bar  
 fluid temperature max :140°C  
 max contact load : 220V 7KW (30A)  
 400V 12KW (30A)  
 for Coffee machine (AZKOYEN) AZ04 - BRAVO - VIENNA



AZKOYEN

**1320533 MEMBRANE KIT FOR PRESSURE SWITCH**  
 model P302-6  $\varnothing$  55 mm  
 for Coffee machine (AZKOYEN) AZ04 - BRAVO - VIENNA



AZKOYEN

## Rotary vane pumps

**1330016 ROTARY VANE PUMP PROCON  $\varnothing$  3/8" NPT**  
 clamp connection  
 flow rate 180 l/h  
 equipped with balanced bypass  
 with built-in filter  
 connection  $\varnothing$  3/8" conical NPT  
 NSF certified



AZKOYEN

**1168011 STAINLESS STEEL CLAMP FOR FLANGE PUMP**



AZKOYEN

Suitable for:

Suitable for:

**1330001 ROTARY VANE PUMP ROTOFLOW  $\varnothing$  3/8" NPT**

clamp connection  
flowrate 100 L/h  
equipped with balanced bypass  
connection  $\varnothing$  3/8" conical NPT  
NSF - WRAS certified  
model STANDARD  
length without pin 82.5 mm



AZKOYEN

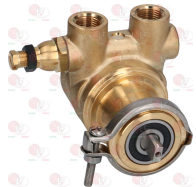
**1168011 STAINLESS STEEL CLAMP FOR FLANGE PUMP**



AZKOYEN

**1330002 ROTARY VANE PUMP ROTOFLOW  $\varnothing$  3/8" NPT**

clamp connection  
flowrate 200 L/h  
equipped with balanced bypass  
NSF - WRAS certified  
model STANDARD  
length without pin 82.5 mm  
for Coffee machine (AZKOYEN) AZ04 - VIENNA



AZKOYEN

**1168011 STAINLESS STEEL CLAMP FOR FLANGE PUMP**



AZKOYEN

**1330101 ROTARY VANE PUMP ROTOFLOW  $\varnothing$  3/8" NPT**

flange connection  
flowrate 100 L/h  
with balanced by-pass  
fitting  $\varnothing$  3/8" conical NPT  
NSF approved  
model STANDARD  
length without pin 82.5 mm  
PUMP VERSION ECO-BRASS  
made of BRASS CW510L (OT57)  
low in lead  $\leq 0.25\%$



AZKOYEN

**1168011 STAINLESS STEEL CLAMP FOR FLANGE PUMP**



AZKOYEN

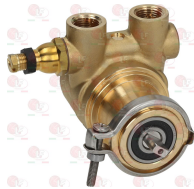


Suitable for:

Suitable for:

## 1330102 ROTARY VANE PUMP ROTOFLOW $\varnothing$ 3/8" NPT

flange connection  
 flowrate 200 L/h  
 with balanced by-pass  
 fitting  $\varnothing$  3/8" conical NPT  
 NSF approved  
 model STANDARD  
 length without pin 82.5 mm  
 PUMP VERSION ECO-BRASS  
 made of BRASS CW510L (OT57)  
 low in lead  $\leq 0.25\%$



AZKOYEN

## 1168011 STAINLESS STEEL CLAMP FOR FLANGE PUMP



AZKOYEN

## 1330040 VOLUMETRIC PUMP ODE $\varnothing$ 3/8" GAS/BSP

TECNOPOLIMER PPS body  
 clamp connection  
 flowrate 150 litri/h  
 with balanced bypass  
 fittings  $\varnothing$  3/8" GAS/BSP st. steel  
 NSF approved - FOOD-SAFE



AZKOYEN

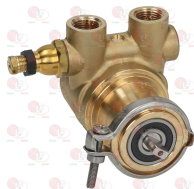
## 1168011 STAINLESS STEEL CLAMP FOR FLANGE PUMP



AZKOYEN

## 5109998 VOLUMETRIC PUMP ROTOFLOW $\varnothing$ 3/8" GAS

clamp fitting  
 capacity 200 L/h  
 with balanced by-pass  
 fitting  $\varnothing$  3/8" GAS/BSP  
 NSF certified  
 model STANDARD  
 length without pin 82.5 mm  
 VERSION OF THE PUMP ECO-BRASS  
 made of brass CW510L (OT57)  
 low in lead  $\leq 0.25\%$



AZKOYEN

## 1168011 STAINLESS STEEL CLAMP FOR FLANGE PUMP



AZKOYEN

## Rubberpieces for steam-water taps

## 1186339 BURN PREVENTING PIPE HANDGRIP $\varnothing$ 8 mm



AZKOYEN





## Shower screens for brew group

**1081072 DELIVERY SHOWER ø 54 mm**



AZKOYEN 10013360

**1460201 PRECISION SHOWER SCREEN ø 60 mm**

98 holes ø 3 mm  
 Aisi 304 stainless steel - food-safe certified  
 integrated membrane 200 µm  
 for GROUPS E61  
 suitable for machines AZKOYEN-BEZZERA-BFC  
 BIANCHI-BRASILIA-CASADIO-ECM-ECM MANUFACTURE  
 EXPOBAR-FAEMA-FAIMAC-FIAMMA RST-FIORENZATO CS  
 FUTURMAT-GAGGIA SPAGNA-gIMAC-ITALCREM-MAIRALI  
 ORCHESTRALE-PROMAC-RENEKA-ROYAL-SAB ITALIA  
 SANREMO-SCALA-VFA-VIBIEMME-VICTORIA ARDUINO  
 VISACREM-WEGA  
 for Coffee machine (AZKOYEN)



AZKOYEN

**1460206 PRECISION SHOWER SCREEN ø 60 mm**

120 holes ø 2.5 mm  
 Aisi 304 stainless steel - food-safe certified  
 wire membrane 35 µm  
 for GROUPS E61  
 suitable for machines AZKOYEN-BEZZERA-BFC  
 BIANCHI-BRASILIA-CASADIO-ECM-ECM MANUFACTURE  
 EXPOBAR-FAEMA-FAIMAC-FIAMMA RST-FIORENZATO CS  
 FUTURMAT-GAGGIA SPAGNA-GRIMAC-ITALCREM-MAIRALI  
 ORCHESTRALE-PROMAC-RENEKA-ROYAL-SAB ITALIA  
 SANREMO-SCALA-VFA-VIBIEMME-VICTORIA ARDUINO  
 VISACREM-WEGA  
 for Coffee machine (AZKOYEN)



AZKOYEN

**1081123 PRECISION SHOWER SCREEN NANOTEC ø 60 mm**

non-stick NANOQUARTZ coating  
 increases the resistance to corrosion  
 and to chemical reaction  
 127 holes ø 2.4 mm  
 Aisi 304 steel - food-safe certified  
 photoengraved membrane 200 µm reinforced model  
 for GROUPS E61  
 suitable for machines AZKOYEN-BEZZERA-BFC  
 BIANCHI-BRASILIA-CASADIO-ECM-ECM MANUFACTURE  
 EXPOBAR-FAEMA-FAIMAC-FIAMMA RST-FIORENZATO CS  
 FUTURMAT-GAGGIA SPAGNA-gIMAC-ITALCREM-MAIRALI  
 ORCHESTRALE-PROMAC-RENEKA-ROYAL-SAB ITALIA  
 SANREMO-SCALA-VFA-VIBIEMME-VICTORIA ARDUINO  
 VISACREM-WEGA



AZKOYEN



Suitable for:

# AZKOYEN



Suitable for:

**1081601 PRECISION SHOWER SCREEN NANOTEC  $\varnothing$  60 mm**  
 non-stick NANOQUARTZ coating  
 increases the resistance to corrosion  
 and to chemical reaction  
 98 holes  $\varnothing$  3 mm  
 Aisi 304 steel- food-safe certified  
 integrated membrane 200  $\mu$ m  
 for E61 GROUPS  
 suitable for machines AZKOYEN-BEZZERA-BFC  
 BIANCHI-BRASILIA-CASADIO-ECM-ECM MANUFACTURE  
 EXPOBAR-FAEMA-FAIMAC-FIAMMA RST-FIORENZATO CS  
 FUTURMAT-GAGGIA SPAGNA-gIMAC-ITALCREM-MAIRALI  
 ORCHESTRALE-PROMAC-RENEKA-ROYAL-SAB ITALIA  
 SANREMO-SCALA-VFA-VIBIEMME-VICTORIA ARDUINO  
 VISACREM-WEGA

**1081516 SHOWER  $\varnothing$  60 mm**



AZKOYEN

AZKOYEN

**1081016 SHOWER SCREEN  $\varnothing$  60 mm**

**1081116 SHOWER SCREEN  $\varnothing$  60 mm**



AZKOYEN

AZKOYEN

**1081131 SHOWER SCREEN  $\varnothing$  60 mm**  
 made in China

**1081216 SHOWER SCREEN  $\varnothing$  60 mm**



AZKOYEN

AZKOYEN

## Solenoid valves

**1120332 COIL LUCIFER/PARKER 220/240V 9W 50Hz**  
 width 32 mm - height 38 mm  
 length 43 mm

**3120032 COIL PARKER ZB09 9W 220/240V 50/60Hz**  
 width 34 mm - height 33 mm  
 length 43 mm



AZKOYEN

AZKOYEN



Suitable for:

**3120034 CONNECTOR LARGE F-FITTING**  
for coils



AZKOYEN

Suitable for:

**1120153 2-WAY SOLENOID VALVE PARKER 110V 50/60Hz**  
VE146YV - fittings  $\varnothing$  1/4" FF - max 10 bar  
VITON seal - orifice  $\varnothing$  3 mm  
with coil ZB09 9W 110/120V 50/60Hz  
fluid temperature  $-10^{\circ}\text{C}+140^{\circ}\text{C}$



AZKOYEN

**1120354 2-WAY SOLENOID VALVE PARKER 230V 50/60Hz**  
VE146NV - fittings  $\varnothing$  1/4" FF - max 10 bar  
VITON sealing - orifice  $\varnothing$  2.5 mm  
with coil ZB09 9W 220/230V 50/60Hz  
fluid temperature  $-10^{\circ}\text{C}+140^{\circ}\text{C}$



AZKOYEN

**3120032 COIL PARKER ZB09 9W 220/240V 50/60Hz**  
width 34 mm - height 33 mm  
length 43 mm



AZKOYEN

**1120102 3-WAY SOLENOID VALVE LUCIFER 115V 60Hz**  
E131F4304 - drain  $\varnothing$  1/8" conical - max 10 bar  
RUBY seal - orifice  $\varnothing$  1.5 mm  
with coil 483510S5 9W 110/115/120V 50/60Hz  
fluid temperature  $-40^{\circ}\text{C}+140^{\circ}\text{C}$



AZKOYEN

**1120330 3-WAY SOLENOID VALVE LUCIFER 240V 50Hz**  
E131F4304 - drain  $\varnothing$  1/8" conical - max 10 bar  
RUBY seal - orifice  $\varnothing$  1.5 mm  
with coil 483510S6 9W 220/240V 50/60Hz  
fluid temperature  $-40^{\circ}\text{C}+140^{\circ}\text{C}$



AZKOYEN

**1120332 COIL LUCIFER/PARKER 220/240V 9W 50Hz**  
width 32 mm - height 38 mm  
length 43 mm



AZKOYEN



Suitable for:

# AZKOYEN



## 1120101 3-WAY SOLENOID VALVE PARKER 115V 50/60Hz

VE128IR - drain  $\varnothing$  1/8" conical - max 10 bar  
RUBY seal - orifice  $\varnothing$  1.3 mm  
with coil ZB09 9W 110/120V 50/60Hz  
fluid temperature -40°C+140°C



AZKOYEN

Suitable for:

## 1120335 3-WAY SOLENOID VALVE PARKER 230V 50/60Hz

VE128IR - drain  $\varnothing$  1/8" conical - max 10 bar  
RUBY seal - orifice  $\varnothing$  1.3 mm  
with coil ZB09 9W 220/230V 50/60Hz  
fluid temperature -30°C+140°C



AZKOYEN

## Steam taps and spares for coffee mach.

## 1359008 WATER-STEAM TAP $\varnothing$ 3/8"

for Coffee machine (AZKOYEN) AZ04 - VIENNA



AZKOYEN

## Switches

## 3319012 BIPOLAR SWITCH GREEN 16A 250V

16(4)A 250V - max. temperature 120°C  
with indicator light and push-button cap  
mounting hole 22x30 mm - silk screen print 0 - I



AZKOYEN

## 3319953 SWITCH 2 POLE RED 16A 250V

16(4)A 250V - max. temperature 125°C  
with indicator light - mounting hole 25x27 mm  
lead connector 6.35x0.8 mm



AZKOYEN

## Tools

## 1505002 EXTRACTOR FOR FILTER S.STEEL WITH HOLE



AZKOYEN

## 3394906 INSPECTION MIRROR KIT $\varnothing$ 30x165 mm

telescopic - overall length 485 mm



AZKOYEN



## Water softeners and spare parts

- 3010291 MANUAL WATER SOFTENER 5 L  $\varnothing$  3/8"**  
 for water treatment for TECHNICAL use  
 st/steel bottle capacity 5 L  
 fastening fitting 3/8"  
 dimensions: h 300 mm -  $\varnothing$  190 mm  
 resin content 3.5 L  
 regeneration salt(NaCl-table salt)1 Kg



AZKOYEN

- 3010001 MANUAL WATER SOFTENER 8 L  $\varnothing$  3/8"**  
 for water treatment for TECHNICAL purposes  
 STAINLESS STEEL cylinder capacity 8 L  
 connection 3/8"  
 dimensions: height 400 mm -  $\varnothing$  185 mm  
 resin content 5.8 L  
 regeneration salt(NaCl-table salt)1 Kg



AZKOYEN

- 3010161 MANUAL WATER SOFTENER 8 L  $\varnothing$  3/8"**  
 for water treatment for TECHNICAL purposes  
 plasma welding  
 STAINLESS STEEL cylinder capacity 8 L  
 connection 3/8"  
 dimensions: height 400 mm -  $\varnothing$  185 mm  
 resin content 5.8 L  
 regeneration salt(NaCl-table salt)1 Kg  
 inlet water maximum temperature 60°C



AZKOYEN

- 3010112 RESIN 5 L**  
 5 litre bag



AZKOYEN

- 3010299 SALT FOR WATER SOFTNER IN TABLETS 10 Kg**  
 FOR WATER SOFTENING SYSTEMS



AZKOYEN

- 3010300 SALT FOR WATER SOFTNER IN TABLETS 25 Kg**  
 FOR WATER SOFTENING SYSTEMS



AZKOYEN

The data herewith contained may change without notice and LF SpA cannot be held responsible for possible errors stated or resulting by the use of this document. All rights reserved. No part of this publication may be reproduced without written permission by LF SpA.



## Distributing Components, Spare Parts & Accessories in original quality worldwide

- 
- LF SpA HEADQUARTERS**  
via Voltri, 80 - 47522 Cesena (FC) ITALY  
Tel. +39 0547 34 11 11 - Fax +39 0547 34 11 10  
[www.lfricambi724.it](http://www.lfricambi724.it) - [info@lfricambi.it](mailto:info@lfricambi.it)  
Export Dept. Tel. +39 0547 34 11 50 - Fax +39 0547 34 11 55  
[www.lfspareparts724.com](http://www.lfspareparts724.com) - [export@lfspareparts.com](mailto:export@lfspareparts.com)
- LF SpA HOUSEHOLD COMPONENTS DIVISION**  
Via Padriciano, 99 - AREA Science Park - 34149 Trieste (TS) ITALY  
Tel. +39 0547 34 12 42 - Fax +39 0547 34 12 48  
[www.lfspareparts724.com](http://www.lfspareparts724.com) - [info@lfspareparts.com](mailto:info@lfspareparts.com)
- EPGC Sas FRANCE**  
13, Rue des Forts - 59960 Neuville en Ferrain  
Tel. +33 (0)3 20 25 06 21 - Fax +33 (0)3 20 25 34 12  
[www.epgc.com](http://www.epgc.com) - [epgc@epgc.com](mailto:epgc@epgc.com)
- LF GmbH GERMANY**  
Junkersstrasse, 3 - D-82178 Puchheim - München  
Tel. +49 89 89 45 78 66 - Fax +49 89 89 45 78 88  
[www.lfersatzteile724.de](http://www.lfersatzteile724.de) - [info@lfersatzteile.de](mailto:info@lfersatzteile.de)
- LF China REPUBLIC OF CHINA**  
Room 403, No.2, Huadu Mansion, Lane 422, Huanghua Rd.  
Minhang Dist. - 201103 Shanghai  
Tel. +86 (0)21 33 53 66 31 - Fax +86 (0)21 33 53 66 32  
[www.lfspareparts724.com](http://www.lfspareparts724.com) - [china@lfspareparts.com](mailto:china@lfspareparts.com)
- OOO LF RUSSIAN FEDERATION**  
Ul. Anatoliya Zhivova, 8 - office 1 - 123100 Moscow  
Tel./Fax +7 495 725 26 53  
[www.lfspareparts724.ru](http://www.lfspareparts724.ru) - [info@lfspareparts.ru](mailto:info@lfspareparts.ru)
- LF Repuestos Horeca S.L.U. SPAIN**  
Poligono Industrial Carpetania - C/Miguel Faraday, 8 - 28906 Getafe  
Tel. +34 91 477 91 00 - Fax +34 91 477 90 81  
[www.lfrepuestos-horeca724.es](http://www.lfrepuestos-horeca724.es) - [info@lfrepuestos.es](mailto:info@lfrepuestos.es)
- LF Scandinavia Aps - LF Spareparts S.p.A. DENMARK**  
Nupark, 51 - 7500 Holstebro  
Tel. +45 70 70 77 33  
[www.lfspareparts724.dk](http://www.lfspareparts724.dk) - [denmark@lfspareparts.dk](mailto:denmark@lfspareparts.dk)
- LF SpA Cesena (IT) Swiss Branch Steinhausen SWITZERLAND**  
Sennweidstrasse, 45 - CH-6312 Steinhausen  
Tel. +41 (0)41 760 15 80/1 - Fax +41 (0)41 760 15 85  
[www.lfersatzteile724.ch](http://www.lfersatzteile724.ch) - [info@lfersatzteile.ch](mailto:info@lfersatzteile.ch)
- LF Spare Parts Ltd. UNITED KINGDOM**  
A10a Lakeside Business Park, Broadway Lane  
South Cerney, Gloucestershire GL7 5XL  
Tel. +44 (0)1285 86 16 25 - Fax +44 (0)1285 86 39 49  
[www.lfspareparts724.co.uk](http://www.lfspareparts724.co.uk) - [info@lfspareparts.co.uk](mailto:info@lfspareparts.co.uk)
- LF Central Est Europe S.r.o. CZECH REPUBLIC**  
Antala Staska 1859/34  
14000 Praha 4 - KRC  
Tel. +420 730 156 910  
[www.lfspareparts724.cz](http://www.lfspareparts724.cz) - [info@lfspareparts.cz](mailto:info@lfspareparts.cz)
- LF SPARE PARTS INC. USA**  
Legal address:  
155 Office Plaza Dr - Suite A - Tallahassee, FL 32301  
Business/Mailing address:  
1100 South Tower, 225 Peachtree St., N.E. - Atlanta, GA 30303, USA  
Tel. +1-404-525-2600 - Fax +1-404-586-3528  
[www.lfspareparts724.us](http://www.lfspareparts724.us) - [info@lfspareparts.us](mailto:info@lfspareparts.us)  
Tel. West Coast and Midwest: 206-349-1525 Sauro  
Tel. East Coast and the Caribbean: 786-817-1764 Luis
- 
- AUSTRALIA AND NEW ZEALAND**  
[www.lfspareparts724.com](http://www.lfspareparts724.com)  
[andrea.calvio@lfspareparts.com](mailto:andrea.calvio@lfspareparts.com)
- AUSTRIA**  
[www.lfersatzteile724.at](http://www.lfersatzteile724.at)  
[info@lfersatzteile.at](mailto:info@lfersatzteile.at)
- BALKAN COUNTRIES**  
[www.lfspareparts724.com](http://www.lfspareparts724.com)  
[matija.ramov@lfspareparts.com](mailto:matija.ramov@lfspareparts.com)
- BALTIC COUNTRIES**  
[www.lfspareparts724.com](http://www.lfspareparts724.com)  
[inara.silina@lfspareparts.com](mailto:inara.silina@lfspareparts.com)
- LATIN AMERICA AND THE CARRIBEANS**  
[www.lfrepuestos-horeca724.es](http://www.lfrepuestos-horeca724.es)  
[export@lfrepuestos.es](mailto:export@lfrepuestos.es)
- POLAND**  
[www.lfspareparts724.pl](http://www.lfspareparts724.pl)  
[info@lfspareparts.pl](mailto:info@lfspareparts.pl)
- SOUTH KOREA**  
[www.lfspareparts724.com](http://www.lfspareparts724.com)  
[fabio.doni@lfspareparts.com](mailto:fabio.doni@lfspareparts.com)
- TURKEY**  
[www.lfyedekparca724.com](http://www.lfyedekparca724.com)  
[export@lfspareparts.com](mailto:export@lfspareparts.com)