



Spare parts for the professional sector: Coffee grinders



Suitable for:

SPAZIALE



This catalogue is automatically generated.
Therefore, the sequence of the items might
not be always shown at best.
Updates will be issued in case of additions
and/or amendments.

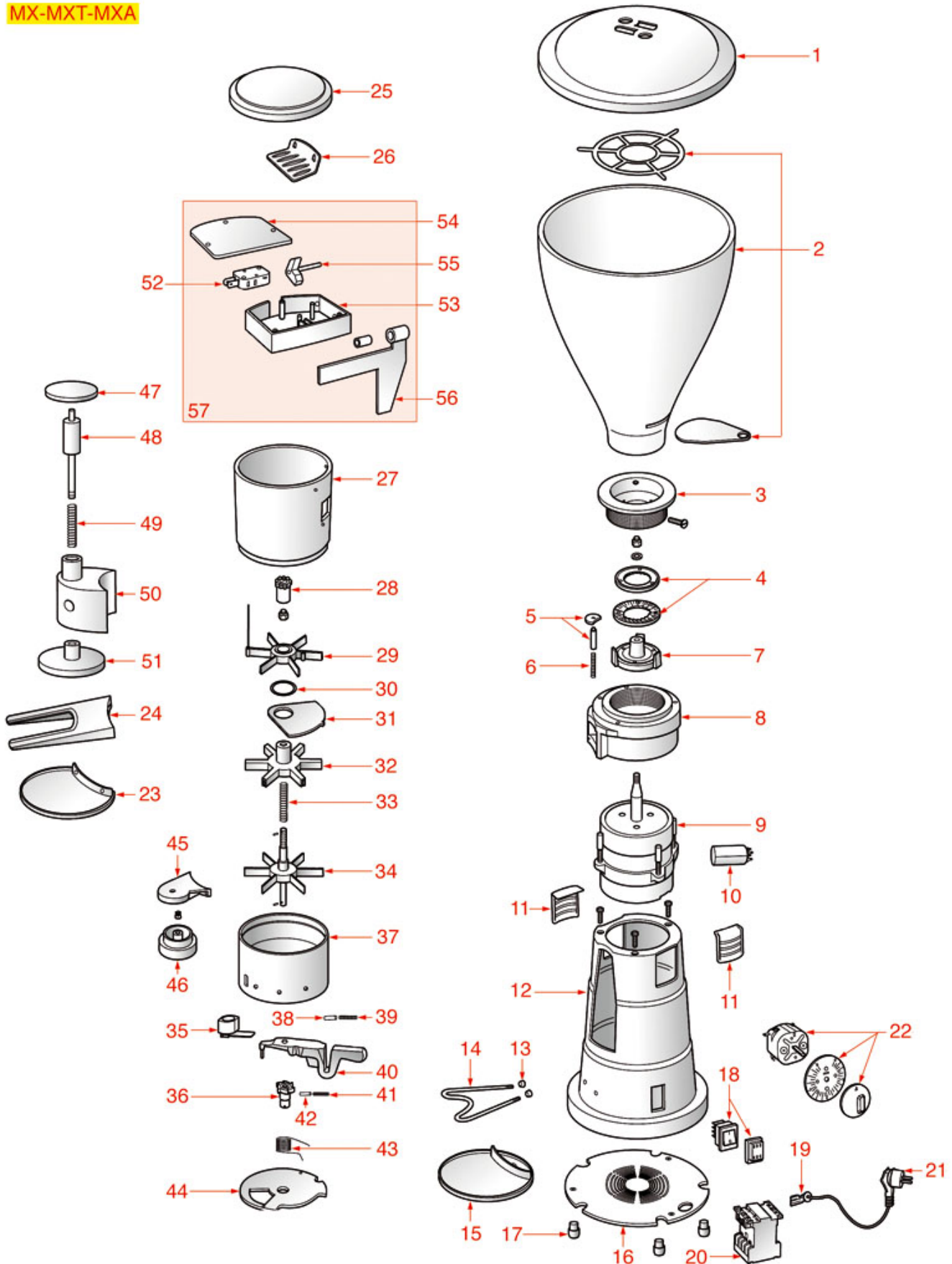
Suitable universal spare parts may not be included





GRINDER ASSEMBLY MX-MXT-MXA

MX-MXT-MXA



SPMC01

Positions without LF code no.: upon request



SPAZIALE

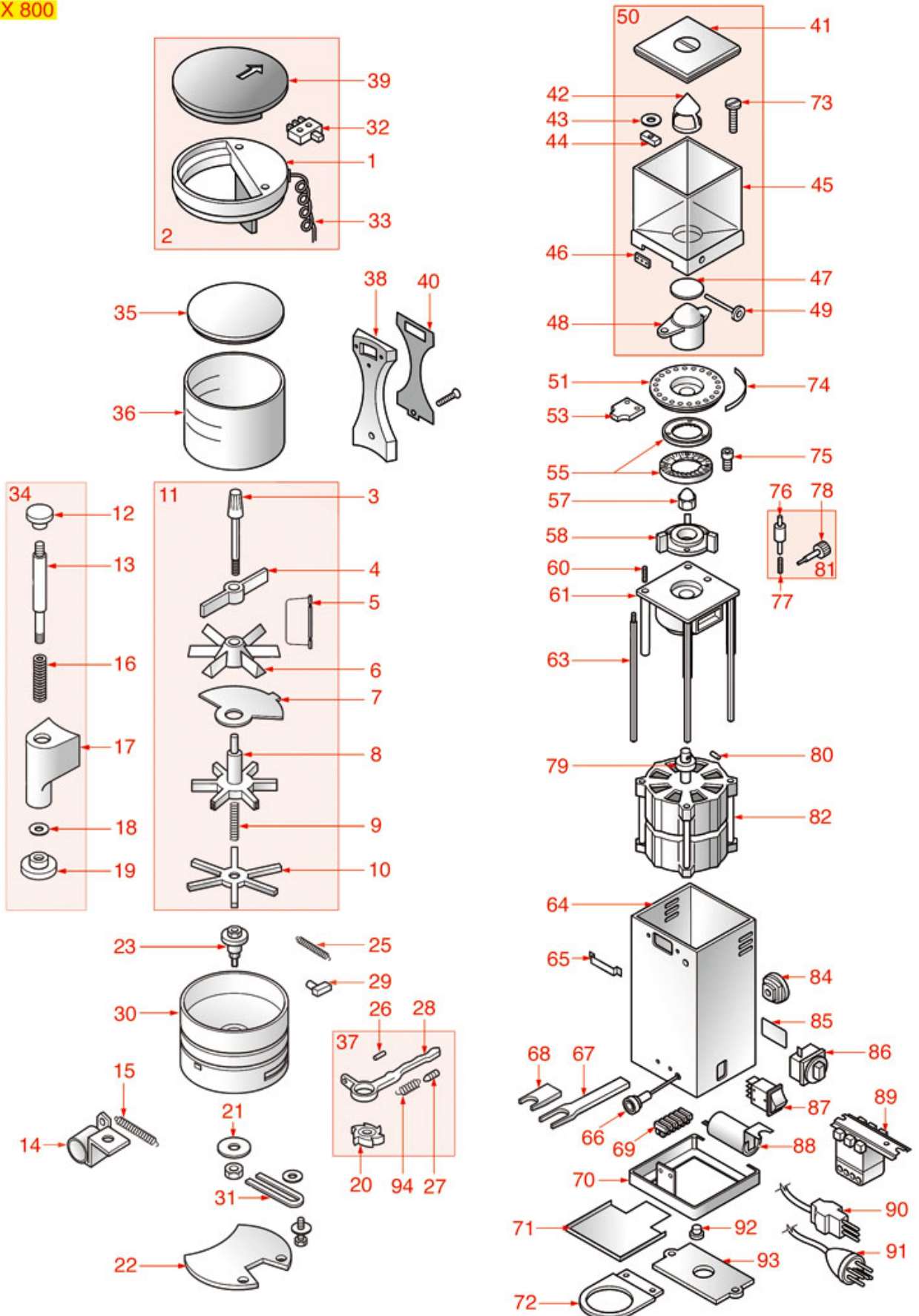


Position	LF code no.	Description
1	1252708	COFFEE HOPPER LID
2	1252709	COFFEE HOPPER
3	1251303	GRINDING BURRS TOP HOLDER MX
4	1251304	GRINDING BURRS MACAP (PAIR) RIGHT
5	1252710	GRINDING BURRS LOCKING PIN
6	1250353	GRINDING BURRS LOCKING SPRING
7	1251305	GRINDING BURRS BOTTOM HOLDER MODEL MX
11	1252425	AIR INLET
14	1252714	FILTER HOLDER FORK
15	1252420	COFFEE COLLECTING TRAY
17	1313008	COFFEE GRINDER HARD FOOT \varnothing 15 mm
18	1319350	WHITE BIPOLAR SWITCH 16A 250V
18	3319012	BIPOLAR SWITCH GREEN 16A 250V
20	3446556	CONTACTOR LOVATO BG0910A
22	1446300	TIMER 4 MINUTES M2
25	1252700	DOSER LID \varnothing 130 mm
26	1252718	PROTECTION GRID
27	1090013	DOSER CYLINDER \varnothing 124x113 mm
27	1252701	DOSER CYLINDER
28	1241750	COFFEE ADJUSTER
29	1343300	COMPLETE STAR WITHOUT BOSS
30	1252702	DOSER BLADE RING
32	1343301	STAR WITH BOSS
33	1250350	DOSER BOSS SPRING
34	1343302	STAR WITH THREADED PIN
35	1252704	COUNTER FOR COFFEE GRINDER
36	1252705	DOSER PAWL
38	1252428	DOSER CASE PIN \varnothing 6x24 mm
40	1252706	DOSER LEVER
41	1252707	DOSER LEVER SPRING \varnothing 4.5x24 mm
42	1252424	DOSER LEVER PIN \varnothing 5x17 mm
43	1250352	DOSER TORSION SPRING
44	1090014	DOSER BOTTOM LID
45	1385202	TAMPER HOLDER
46	1385201	TAMPER \varnothing 51.5 mm
47	1385015	COFFEE TAMPER \varnothing 57 mm
49	1250146	COFFEE TAMPER SPING \varnothing 10x65 mm
52	3240123	MICROSWITCH ROLD VRSRB1DA1
56	1240049	DOSER FLAP
57	1252719	AUTOMATIC MICROSWITCH BOX



GRINDER ASSEMBLY LUX 800

LUX 800



SPMC02

Positions without LF code no.: upon request



SPAZIALE

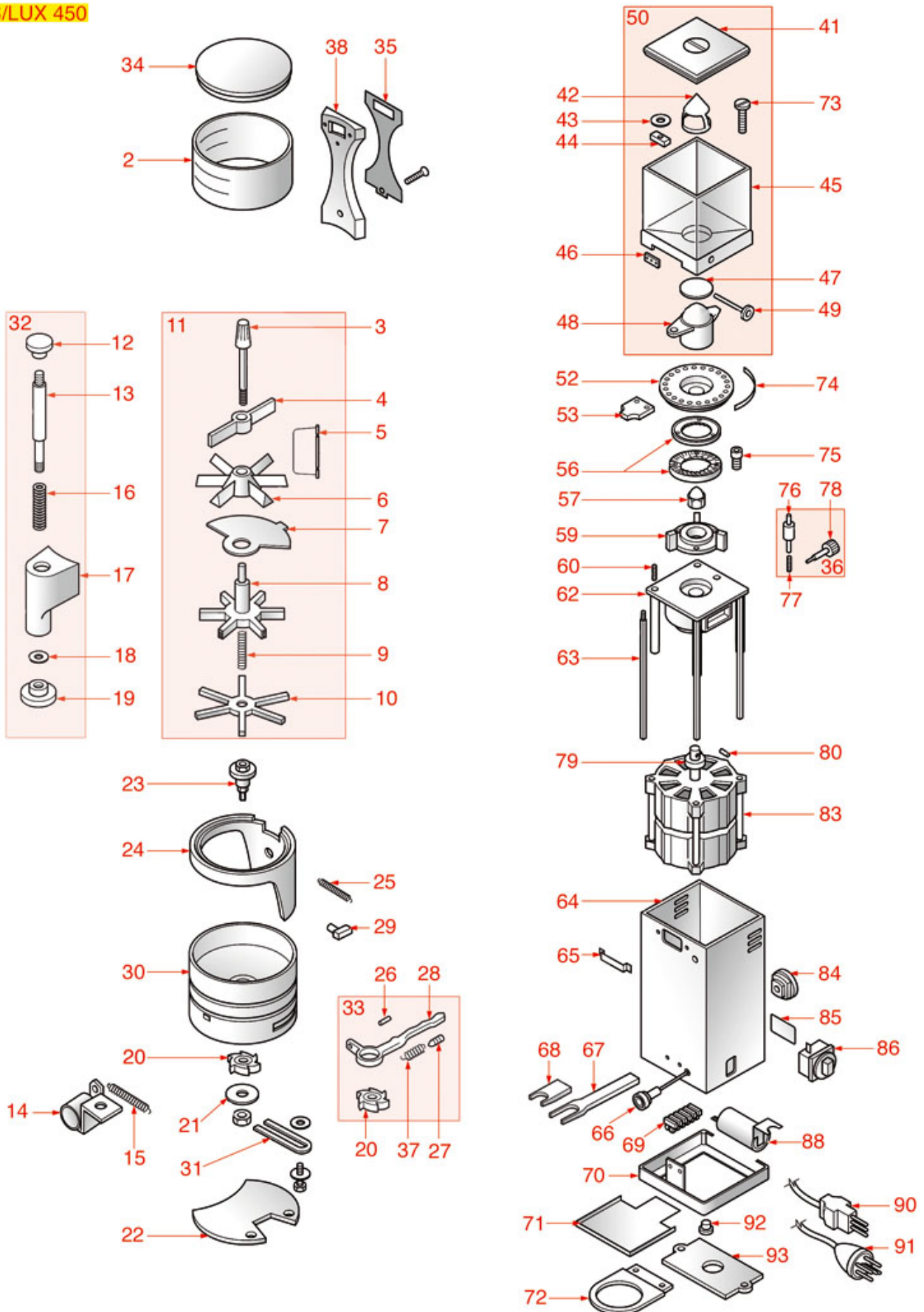


Position	LF code no.	Description
1	1252311	RING WITH STAINLESS STEEL BLADE
3	1241121	DOSE ADJUSTMENT KNOB
9	1250272	DOSER STAR SPRING
10	1343043	LOWER STAR
12	1241122	UPPER COFFEE TAMPER KNOB
14	1252315	COUNTER FOR COFFEE GRINDER
16	1250273	COFFEE TAMPER SPRING
19	1385540	LOWER COFFEE TAMPER \varnothing 52 mm
25	1250944	DOSER LEVER RETURN SPRING
27	1528632	TAPERED END PIN M5x6
28	1225902	CHROME-PLATED DOSER LEVER
29	1252317	RUBBER BUMPER
31	1250943	SQUARE SPRING
32	1240806	MICROSWITCH SAIA-BURGESS XGO42-88
35	1252320	DISPENSER LID
36	1252321	DOSER CYLINDER
36	1252322	DOSER CYLINDER
37	1252316	COMPLETE CHROME-PLATED DISPENSER LEVER
40	1186907	GASKET FOR COFFEE OUTLET OPENING
50	1080911	COMPLETE COFFEE HOPPER
53	1252325	GRINDING CONTROL KNOB
55	1251002	GRINDING BURRS ANFIM (PAIR) LEFT
58	1251513	GRINDING BURRS BOTTOM HOLDER \varnothing 64 mm
67	1252326	LONG FILTER HOLDER FORK
71	1252328	COFFEE COLLECTING BASE
79	1063911	BEARING 6202 ZZ NSK
81	1324937	PUSH-BUTTON FOR GRIND. BURRS HOLDER PIN
86	3446108	TIMER 4 MINUTES MT49
87	3319934	BIPOLAR SWITCH ORANGE 16A 250V
88	3068024	CAPACITOR DUCATI ENERGIA 16 μ F
94	1250278	DOSE RELEASE HANDLE SPRING



GRINDER ASSEMBLY S/LUX 450

S/LUX 450



SPMC03

Positions without LF code no.: upon request



SPAZIALE

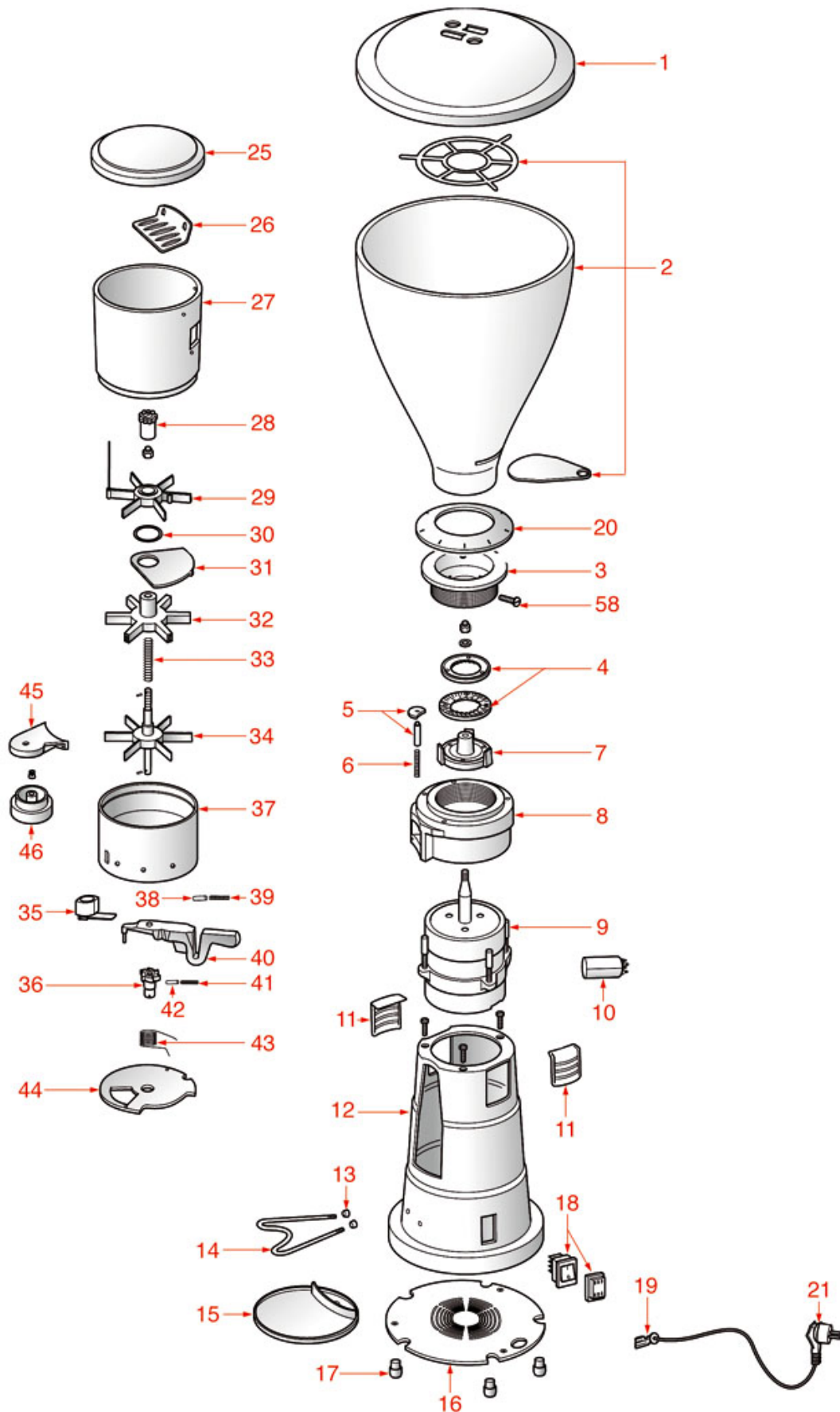


Position	LF code no.	Description
3	1241121	DOSE ADJUSTMENT KNOB
9	1250272	DOSER STAR SPRING
10	1343043	LOWER STAR
12	1241122	UPPER COFFEE TAMPER KNOB
14	1252315	COUNTER FOR COFFEE GRINDER
16	1250273	COFFEE TAMPER SPRING
19	1385540	LOWER COFFEE TAMPER \varnothing 52 mm
25	1250944	DOSER LEVER RETURN SPRING
27	1528632	TAPERED END PIN M5x6
28	1225902	CHROME-PLATED DOSER LEVER
29	1252317	RUBBER BUMPER
31	1250943	SQUARE SPRING
33	1252316	COMPLETE CHROME-PLATED DISPENSER LEVER
34	1252319	DISPENSER LID
35	1186907	GASKET FOR COFFEE OUTLET OPENING
36	1324937	PUSH-BUTTON FOR GRIND. BURRS HOLDER PIN
37	1250278	DOSE RELEASE HANDLE SPRING
50	1080911	COMPLETE COFFEE HOPPER
53	1252325	GRINDING CONTROL KNOB
56	1251003	GRINDING BURRS ANFIN (PAIR) LH
60	1528643	SCREWS NO HEAD WITH HEX. SOCKET M6x20
67	1252326	LONG FILTER HOLDER FORK
71	1252328	COFFEE COLLECTING BASE
79	1063911	BEARING 6202 ZZ NSK
86	3446108	TIMER 4 MINUTES MT49
88	3068024	CAPACITOR DUCATI ENERGIA 16 μ F



GRINDER ASSEMBLY TOP

TOP



SPMC04

Positions without LF code no.: upon request



SPAZIALE

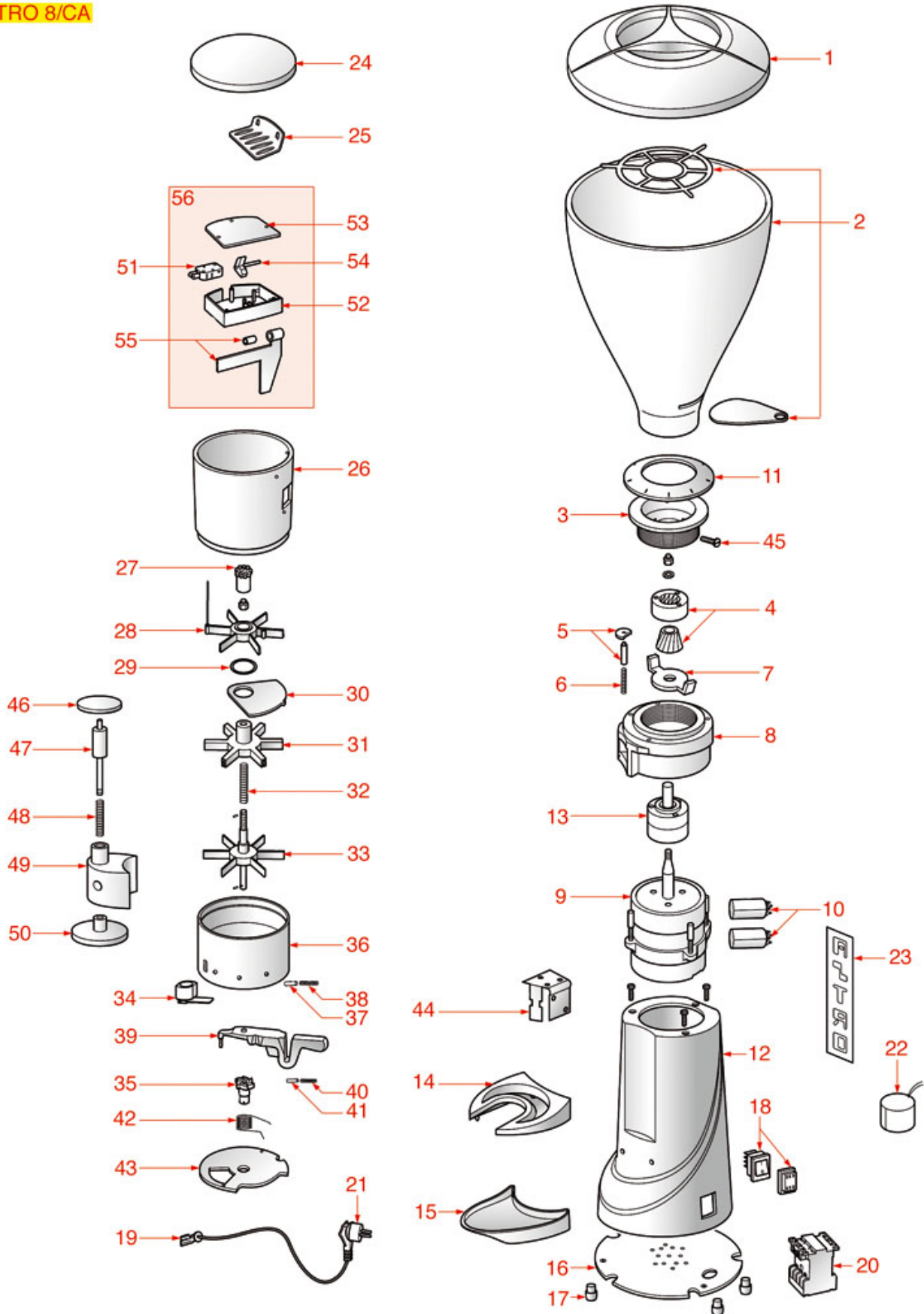


Position	LF code no.	Description
1	1252715	COFFEE HOPPER LID
2	1252716	COFFEE HOPPER
4	1251308	GRINDING BURRS MACAP (PAIR) RIGHT
5	1252710	GRINDING BURRS LOCKING PIN
6	1250353	GRINDING BURRS LOCKING SPRING
7	1251309	GRINDING BURRS BOTTOM HOLDER
11	1252425	AIR INLET
14	1252714	FILTER HOLDER FORK
15	1252419	COFFEE COLLECTING TRAY \varnothing 138 mm
17	1313008	COFFEE GRINDER HARD FOOT \varnothing 15 mm
18	1319350	WHITE BIPOLAR SWITCH 16A 250V
20	1251306	BURRS HOLDER UPPER RING NUT M4-M5
25	1252700	DOSER LID \varnothing 130 mm
26	1252718	PROTECTION GRID
27	1385203	DOSER CYLINDER \varnothing 125x90 mm
28	1241750	COFFEE ADJUSTER
29	1343300	COMPLETE STAR WITHOUT BOSS
30	1252702	DOSER BLADE RING
32	1343301	STAR WITH BOSS
33	1250350	DOSER BOSS SPRING
34	1343302	STAR WITH THREADED PIN
35	1252704	COUNTER FOR COFFEE GRINDER
36	1252705	DOSER PAWL
38	1252428	DOSER CASE PIN \varnothing 6x24 mm
40	1252706	DOSER LEVER
41	1252707	DOSER LEVER SPRING \varnothing 4.5x24 mm
42	1252424	DOSER LEVER PIN \varnothing 5x17 mm
43	1250352	DOSER TORSION SPRING
44	1090014	DOSER BOTTOM LID
45	1385202	TAMPER HOLDER
46	1385201	TAMPER \varnothing 51.5 mm



GRINDER ASSEMBLY ASTRO 8/CA

ASTRO 8/CA



SPMC05

Positions without LF code no.: upon request



SPAZIALE

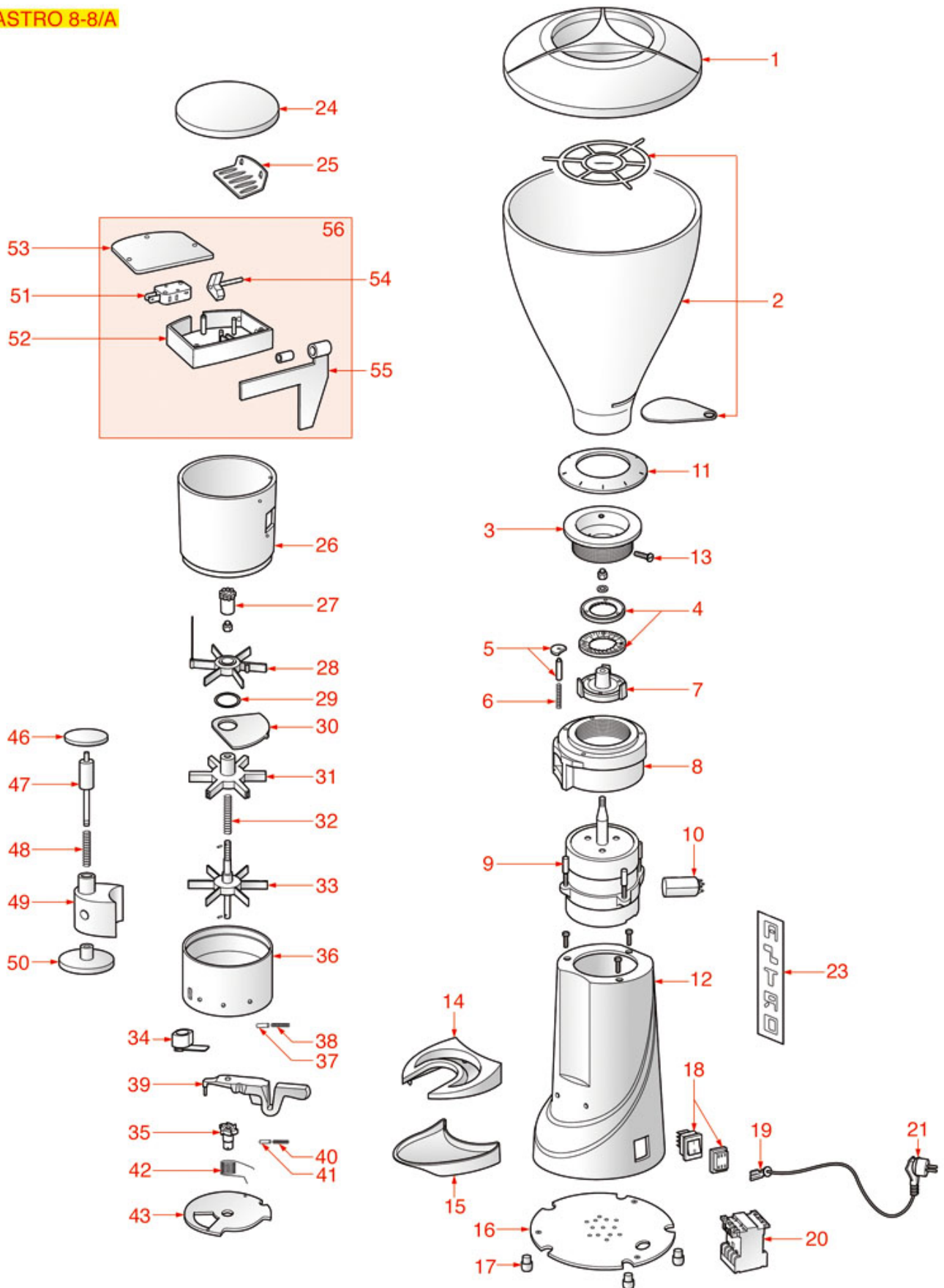


Position	LF code no.	Description
4	1251101	CONICAL GRINDING BURRS MACAP(PAIR) RIGHT
5	1252710	GRINDING BURRS LOCKING PIN
6	1250353	GRINDING BURRS LOCKING SPRING
17	1313008	COFFEE GRINDER HARD FOOT \varnothing 15 mm
18	3319012	BIPOLAR SWITCH GREEN 16A 250V
20	3446556	CONTACTOR LOVATO BG0910A
25	1252718	PROTECTION GRID
26	1090013	DOSER CYLINDER \varnothing 124x113 mm
27	1241750	COFFEE ADJUSTER
28	1343300	COMPLETE STAR WITHOUT BOSS
29	1252702	DOSER BLADE RING
31	1343301	STAR WITH BOSS
32	1250350	DOSER BOSS SPRING
33	1343302	STAR WITH THREADED PIN
34	1252704	COUNTER FOR COFFEE GRINDER
35	1252705	DOSER PAWL
37	1252428	DOSER CASE PIN \varnothing 6x24 mm
39	1252706	DOSER LEVER
40	1252707	DOSER LEVER SPRING \varnothing 4.5x24 mm
41	1252424	DOSER LEVER PIN \varnothing 5x17 mm
42	1250352	DOSER TORSION SPRING
43	1090014	DOSER BOTTOM LID
48	1250146	COFFEE TAMPER SPING \varnothing 10x65 mm
51	3240123	MICROSWITCH ROLD VRSRB1DA1
55	1240049	DOSER FLAP
56	1252719	AUTOMATIC MICROSWITCH BOX



GRINDER DOSER ASTRO 8-8/A

ASTRO 8-8/A



SPMC06

Positions without LF code no.: upon request



SPAZIALE

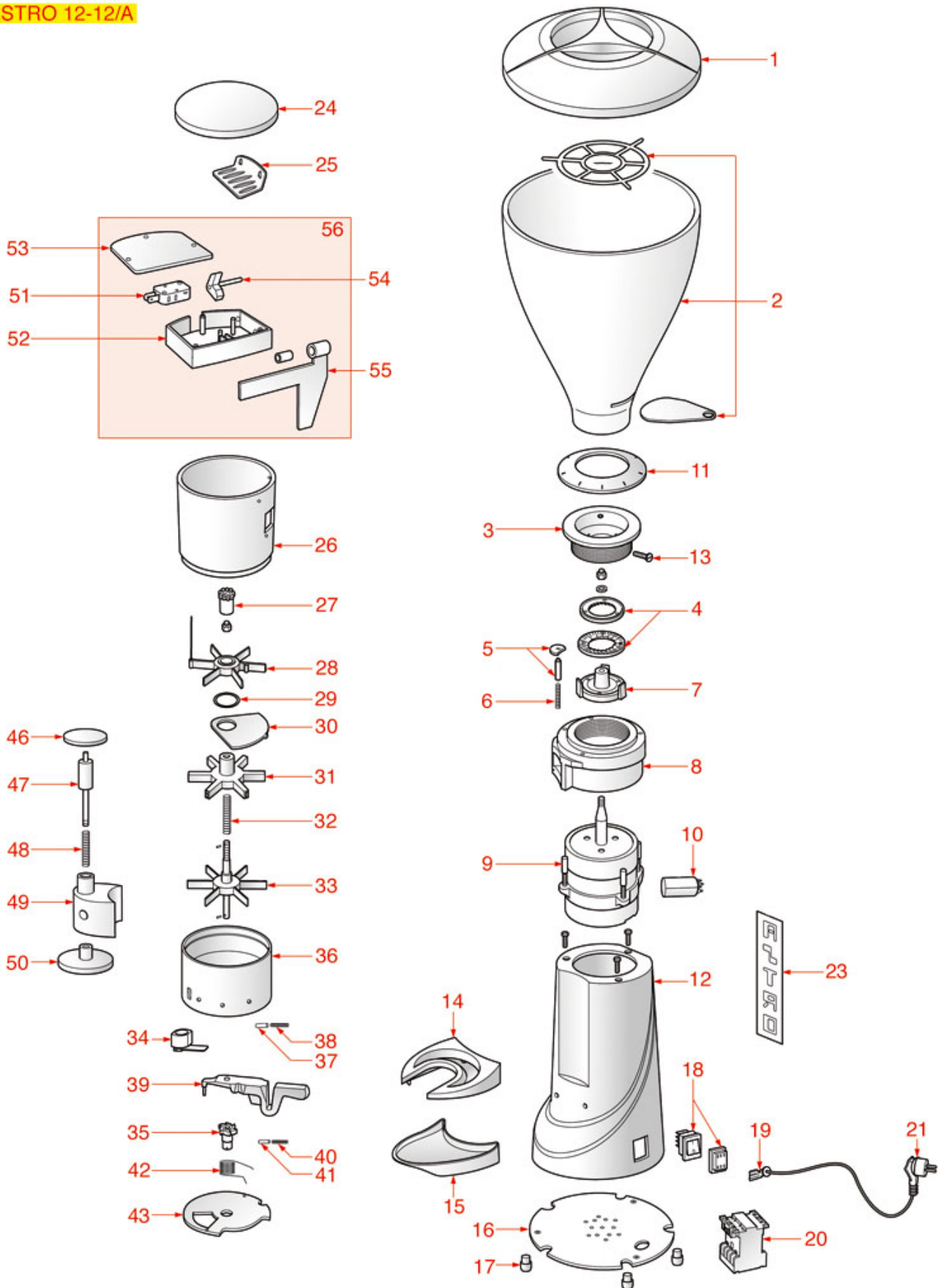


Position	LF code no.	Description
3	1251301	GRINDING BURRS TOP HOLDER M9
4	1251304	GRINDING BURRS MACAP (PAIR) RIGHT
5	1252710	GRINDING BURRS LOCKING PIN
6	1250353	GRINDING BURRS LOCKING SPRING
7	1251305	GRINDING BURRS BOTTOM HOLDER MODEL MX
11	1251306	BURRS HOLDER UPPER RING NUT M4-M5
17	1313008	COFFEE GRINDER HARD FOOT \varnothing 15 mm
18	1319350	WHITE BIPOLAR SWITCH 16A 250V
18	3319012	BIPOLAR SWITCH GREEN 16A 250V
20	3446556	CONTACTOR LOVATO BG0910A
25	1252718	PROTECTION GRID
26	1090013	DOSER CYLINDER \varnothing 124x113 mm
26	1252701	DOSER CYLINDER
27	1241750	COFFEE ADJUSTER
28	1343300	COMPLETE STAR WITHOUT BOSS
29	1252702	DOSER BLADE RING
31	1343301	STAR WITH BOSS
32	1250350	DOSER BOSS SPRING
33	1343302	STAR WITH THREADED PIN
34	1252704	COUNTER FOR COFFEE GRINDER
35	1252705	DOSER PAWL
37	1252428	DOSER CASE PIN \varnothing 6x24 mm
39	1252706	DOSER LEVER
40	1252707	DOSER LEVER SPRING \varnothing 4.5x24 mm
41	1252424	DOSER LEVER PIN \varnothing 5x17 mm
42	1250352	DOSER TORSION SPRING
43	1090014	DOSER BOTTOM LID
48	1250146	COFFEE TAMPER SPING \varnothing 10x65 mm
51	3240123	MICROSWITCH ROLD VRSRB1DA1
55	1240049	DOSER FLAP
56	1252719	AUTOMATIC MICROSWITCH BOX



COFFEE GRINDER ASTRO 12-12/A

ASTRO 12-12/A



SPMC07

Positions without LF code no.: upon request



SPAZIALE

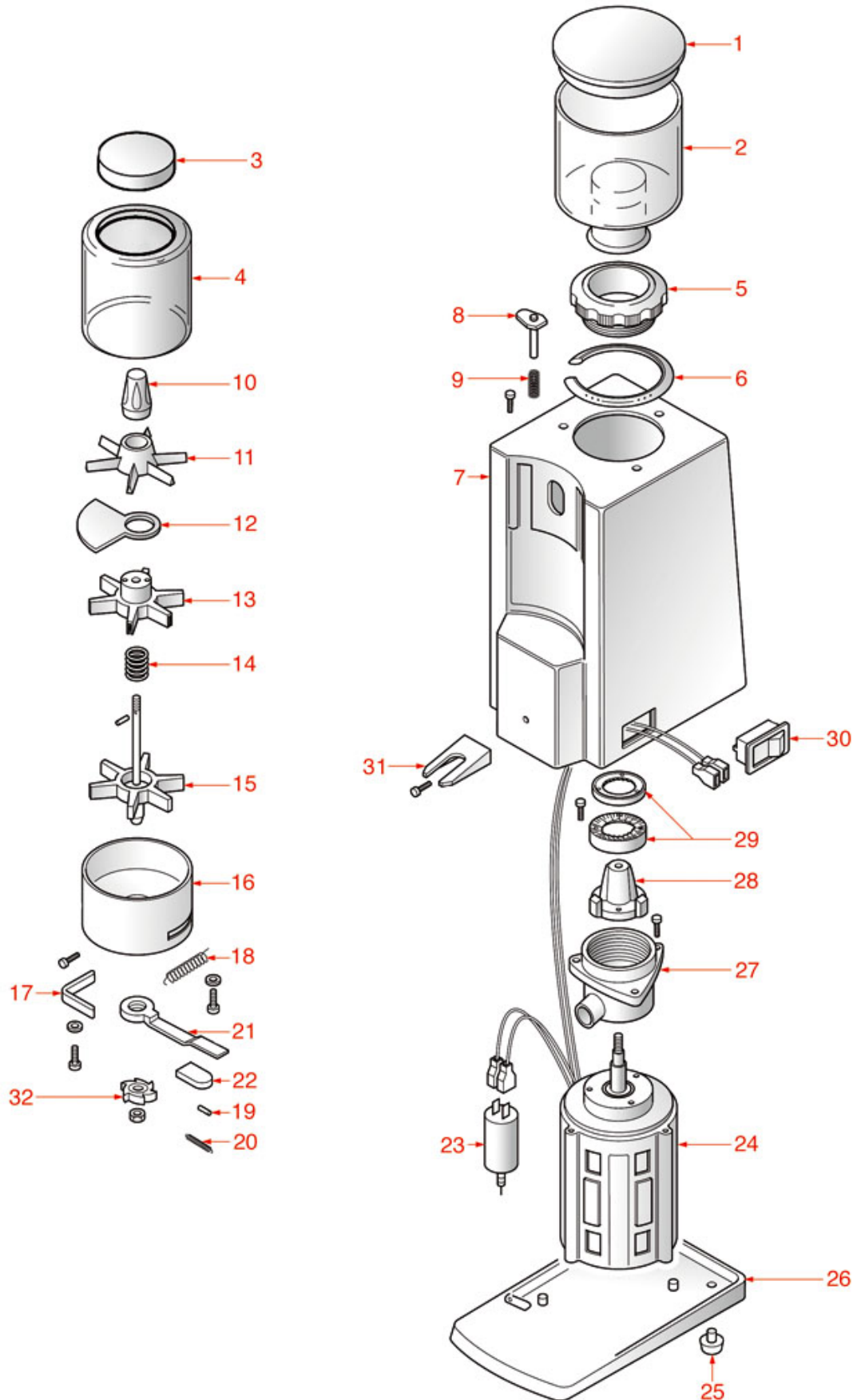


Position	LF code no.	Description
3	1251301	GRINDING BURRS TOP HOLDER M9
4	1251304	GRINDING BURRS MACAP (PAIR) RIGHT
5	1252710	GRINDING BURRS LOCKING PIN
6	1250353	GRINDING BURRS LOCKING SPRING
7	1251305	GRINDING BURRS BOTTOM HOLDER MODEL MX
11	1251306	BURRS HOLDER UPPER RING NUT M4-M5
17	1313008	COFFEE GRINDER HARD FOOT \varnothing 15 mm
18	1319350	WHITE BIPOLAR SWITCH 16A 250V
18	3319012	BIPOLAR SWITCH GREEN 16A 250V
20	3446556	CONTACTOR LOVATO BG0910A
25	1252718	PROTECTION GRID
26	1090013	DOSER CYLINDER \varnothing 124x113 mm
26	1252701	DOSER CYLINDER
27	1241750	COFFEE ADJUSTER
28	1343300	COMPLETE STAR WITHOUT BOSS
29	1252702	DOSER BLADE RING
31	1343301	STAR WITH BOSS
32	1250350	DOSER BOSS SPRING
33	1343302	STAR WITH THREADED PIN
34	1252704	COUNTER FOR COFFEE GRINDER
35	1252705	DOSER PAWL
37	1252428	DOSER CASE PIN \varnothing 6x24 mm
39	1252706	DOSER LEVER
40	1252707	DOSER LEVER SPRING \varnothing 4.5x24 mm
41	1252424	DOSER LEVER PIN \varnothing 5x17 mm
42	1250352	DOSER TORSION SPRING
43	1090014	DOSER BOTTOM LID
48	1250146	COFFEE TAMPER SPING \varnothing 10x65 mm
51	3240123	MICROSWITCH ROLD VRSRB1DA1
55	1240049	DOSER FLAP
56	1252719	AUTOMATIC MICROSWITCH BOX



GRINDER DOSER JUNIOR

JUNIOR



SPMC08

Positions without LF code no.: upon request



SPAZIALE

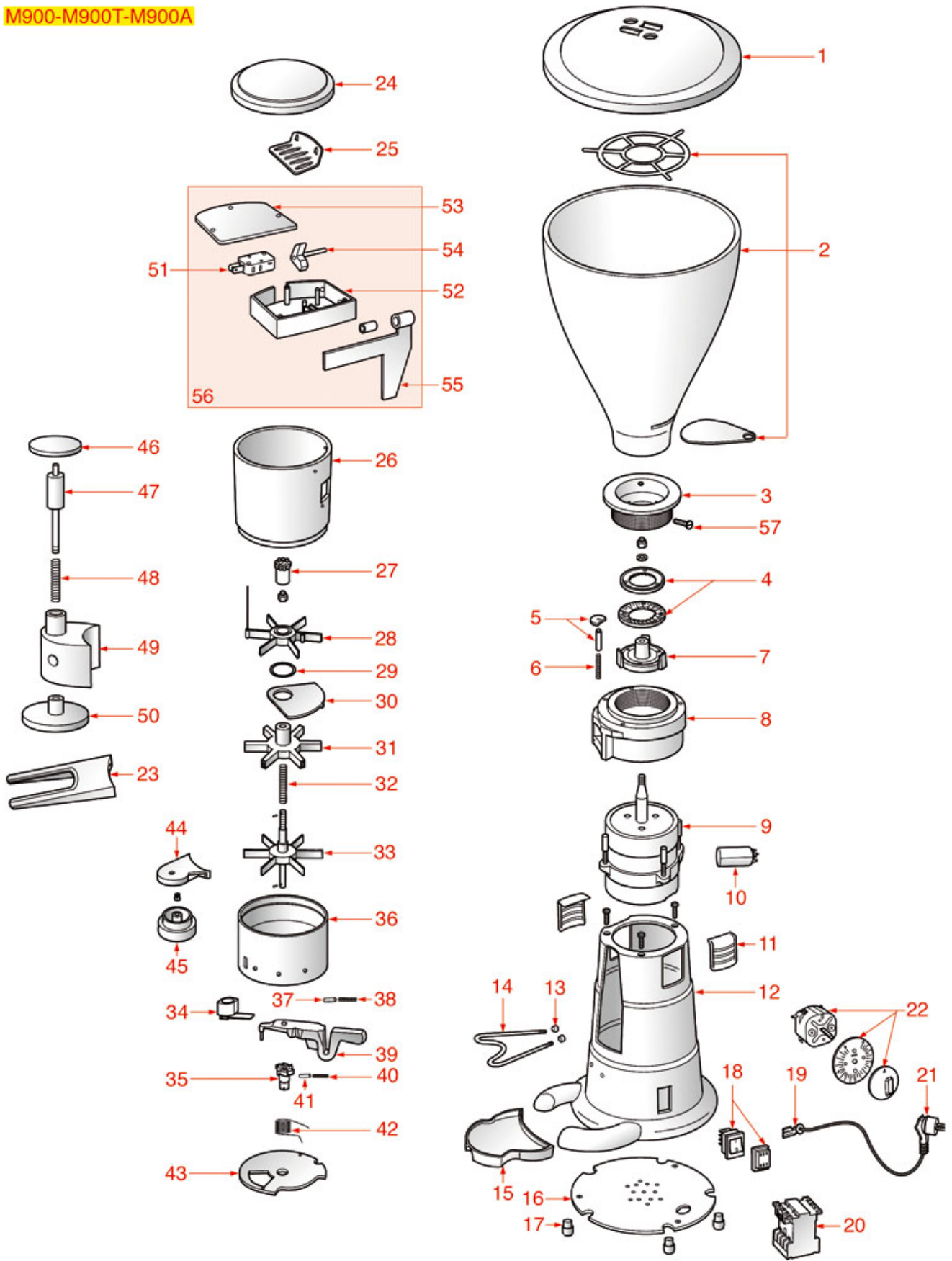


Position	LF code no.	Description
1	1252301	COFFEE HOPPER LID
2	1080938	COFFEE HOPPER 250 gr
3	1252279	DOSER LID
4	1252276	DOSER CYLINDER
8	1324941	LOCKING PIN
9	1250265	LOCKING PIN SPRING
10	1252280	DOSE ADJUSTMENT KNOB
14	1250260	STAR SPRING
18	1250263	DOSER LEVER RETURN SPRING
20	1250267	PEG SPRING
22	1252297	LEVER COVER
28	1251063	GRINDING BURRS BOTTOM HOLDER
29	1251062	GRINDING BURRS OBEL (PAIR) LEFT
30	3319934	BIPOLAR SWITCH ORANGE 16A 250V
31	1252004	FILTER HOLDER FORK
32	1252303	PAWL GEAR 6 TEETH



GRINDER ASSEMBLY M900-M900T-M900A

M900-M900T-M900A



SPMC09

Positions without LF code no.: upon request



SPAZIALE



Position	LF code no.	Description
1	1252708	COFFEE HOPPER LID
2	1252709	COFFEE HOPPER
3	1251301	GRINDING BURRS TOP HOLDER M9
4	1251302	GRINDING BURRS MACAP (PAIR) RIGHT
5	1252710	GRINDING BURRS LOCKING PIN
6	1250353	GRINDING BURRS LOCKING SPRING
10	3068024	CAPACITOR DUCATI ENERGIA 16 μ F
11	1252425	AIR INLET
14	1252714	FILTER HOLDER FORK
15	1252418	COFFEE COLLECTING TRAY
17	1313008	COFFEE GRINDER HARD FOOT \varnothing 15 mm
18	1319350	WHITE BIPOLAR SWITCH 16A 250V
18	3319012	BIPOLAR SWITCH GREEN 16A 250V
20	3446556	CONTACTOR LOVATO BG0910A
22	1446300	TIMER 4 MINUTES M2
24	1252700	DOSER LID \varnothing 130 mm
25	1252718	PROTECTION GRID
26	1090013	DOSER CYLINDER \varnothing 124x113 mm
26	1252701	DOSER CYLINDER
27	1241750	COFFEE ADJUSTER
28	1343300	COMPLETE STAR WITHOUT BOSS
29	1252702	DOSER BLADE RING
31	1343301	STAR WITH BOSS
32	1250350	DOSER BOSS SPRING
33	1343302	STAR WITH THREADED PIN
34	1252704	COUNTER FOR COFFEE GRINDER
35	1252705	DOSER PAWL
37	1252428	DOSER CASE PIN \varnothing 6x24 mm
39	1252706	DOSER LEVER
40	1252707	DOSER LEVER SPRING \varnothing 4.5x24 mm
41	1252424	DOSER LEVER PIN \varnothing 5x17 mm
42	1250352	DOSER TORSION SPRING
43	1090014	DOSER BOTTOM LID
44	1385202	TAMPER HOLDER
45	1385201	TAMPER \varnothing 51.5 mm
46	1385015	COFFEE TAMPER \varnothing 57 mm
48	1250146	COFFEE TAMPER SPING \varnothing 10x65 mm
51	3240123	MICROSWITCH ROLD VRSRB1DA1
55	1240049	DOSER FLAP
56	1252719	AUTOMATIC MICROSWITCH BOX



Suitable for:

SPAZIALE



Suitable for:

Accident prevention devices-protections

1252718 PROTECTION GRID



SPAZIALE 6422

Bearings

1063911 BEARING 6202 ZZ NSK
external \varnothing 35 mm-internal \varnothing 15 mm-thickness 11 mm



SPAZIALE 744

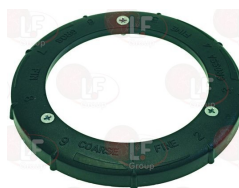
Bodies

1252425 AIR INLET



SPAZIALE 7638

1251306 BURRS HOLDER UPPER RING NUT M4-M5
for Grinder-dispenser (SPAZIALE) ASTRO12
ASTRO12/A - ASTRO8 - ASTRO8/A - TOP



SPAZIALE

Brushes

1384023 BRUSH FOR CLEANING 50 mm



SPAZIALE

1384001 BRUSH FOR COFFEE SHOWER



SPAZIALE

1384002 BRUSH FOR MAINTENANCE



SPAZIALE

1384014 BRUSH FOR SHOWER RED

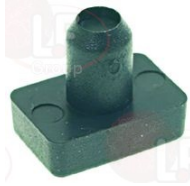


SPAZIALE



Bumpers

1252317 RUBBER BUMPER



SPAZIALE 735

Capacitors, electrical

3068016 CAPACITOR DUCATI ENERGIA 10µF
450V 50/60Hz
operating temperature -25 + 85°C
lead connector 6.35x0.8 mm
ø 36xh58 mm



SPAZIALE 06628

3068024 CAPACITOR DUCATI ENERGIA 16µF
450V 50/60Hz
operating temperature -25 + 85°C
lead connector 6.35x0.8 mm
ø 36xh70 mm



SPAZIALE 748

SPAZIALE 8649

3068080 CAPACITOR ELECTRICAL 10µF
450V 50/60Hz - ø 30xh71 mm



SPAZIALE 06628

3068083 CAPACITOR ELECTRICAL 16µF
450V 50/60Hz - ø 35xh71 mm



SPAZIALE 748

SPAZIALE 8649

Clamps

1168011 STAINLESS STEEL CLAMP FOR FLANGE PUMP



SPAZIALE

Coffee measuring spoons

1069001 PLASTIC MEASURING SPOON 20 ml



SPAZIALE

1069002 STAINLESS STEEL MEASURING SPOON 20 ml



SPAZIALE



Suitable for:

SPAZIALE



Suitable for:

Contactors

3446556 CONTACTOR LOVATO BG0910A
coil 9A 230V 50/60Hz 4Kw
3 normally open contacts
1 normally open auxiliary contact



SPAZIALE 3332

3446227 AUXILIARY CONTACT LOVATO G218
10A
1 contact NO
1 contact NC



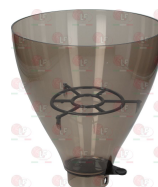
Containers for coffee

1080082 COFFEE HOPPER



SPAZIALE 547

1252709 COFFEE HOPPER
for Grinder-dispenser (SPAZIALE) MX - MXA - MXT
M900 - M900A - M900T



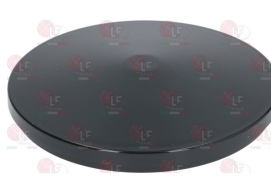
SPAZIALE 5551

1252716 COFFEE HOPPER
for Grinder-dispenser (SPAZIALE) TOP



SPAZIALE 8377

1252301 COFFEE HOPPER LID



SPAZIALE 5746

1252708 COFFEE HOPPER LID
for Grinder-dispenser (SPAZIALE) MX - MXA - MXT
M900 - M900A - M900T



SPAZIALE 5552

1252715 COFFEE HOPPER LID
for Grinder-dispenser (SPAZIALE) TOP



SPAZIALE 8376

1080938 COFFEE HOPPER 250 gr
for Grinder-dispenser (SPAZIALE) JUNIOR



SPAZIALE 5823

1080911 COMPLETE COFFEE HOPPER
for Grinder-dispenser (SPAZIALE) LUX800 - S/LUX450



SPAZIALE 377

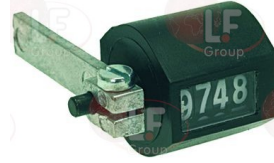
Counters

1252315 COUNTER FOR COFFEE GRINDER
for Grinder-dispenser (SPAZIALE) LUX450 - LUX800S



SPAZIALE 731

1252704 COUNTER FOR COFFEE GRINDER
for Grinder-dispenser (SPAZIALE) ASTRO12
ASTRO12/A - ASTRO8 - ASTRO8/A - ASTRO8/CA - MX
MXA - MXT - M900 - M900A - M900T



SPAZIALE 6423

Dosers for coffee

1252319 DISPENSER LID
for Grinder-dispenser (SPAZIALE) S/LUX450



SPAZIALE

1252320 DISPENSER LID
for Grinder-dispenser (SPAZIALE) LUX800



SPAZIALE 4991

1090014 DOSER BOTTOM LID



SPAZIALE 6695

1252276 DOSER CYLINDER
for Grinder-dispenser (SPAZIALE) JUNIOR



SPAZIALE 6084

1252321 DOSER CYLINDER
for Grinder-dispenser (SPAZIALE) LUX800



SPAZIALE 362

1252322 DOSER CYLINDER
for Grinder-dispenser (SPAZIALE) LUX800



SPAZIALE 6171



Suitable for:

SPAZIALE



1252701 DOSER CYLINDER

for Coffee grinder (SPAZIALE) ASTRO 12 - ASTRO 8
12/A - 8/A
for Grinder-dispenser (SPAZIALE) MX - MXA - MXT
M900 - M900A - M900T



SPAZIALE 3281

1090013

DOSER CYLINDER ø 124x113 mm

for MACAP
MX-MXT-MXA-MXK-MXKT-MXKA-M7-M7T-M7A-M7K
M7KT-M7KA-M7900-M7T900-M7A900-MX900-MXT900-MXA900
for SPAZIALE MX-MXT-MXA-M900-M900T-M900A
ASTRO 8/CA-ASTRO 8-8/A-ASTRO 12-12/A
for GAGGIA MD64 NEW-MD75
for Grinder-dispenser (SPAZIALE) MX - MXA - MXT
M900 - M900A - M900T



SPAZIALE 7826

1385203 DOSER CYLINDER ø 125x90 mm

for Grinder-dispenser (SPAZIALE) TOP

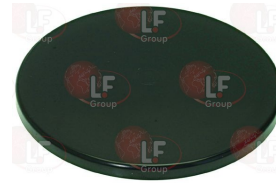


SPAZIALE 8648

1252279

DOSER LID

for Grinder-dispenser (SPAZIALE) JUNIOR



SPAZIALE 6085

1252700 DOSER LID ø 130 mm

for Grinder-dispenser (SPAZIALE) MX - MXA - MXT
M900 - M900A - M900T - TOP



SPAZIALE 3280

Feet

1313008 COFFEE GRINDER HARD FOOT ø 15 mm

for Grinder-dispenser (SPAZIALE) ASTRO12
ASTRO12/A - ASTRO8 - ASTRO8/A - ASTRO8/CA - MX
MXA - MXT - M900 - M900A - M900T - TOP

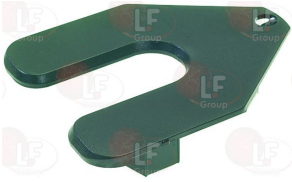


SPAZIALE 3279



Forks for portafilter coffee grinder

1252004 FILTER HOLDER FORK
for Grinder-dispenser (SPAZIALE) JUNIOR



SPAZIALE 4023

1252714 FILTER HOLDER FORK
for Grinder-dispenser (SPAZIALE) MX - MXA - MXT
M900 - M900A - M900T - TOP



SPAZIALE 5341

1252326 LONG FILTER HOLDER FORK
for Grinder-dispenser (SPAZIALE) LUX800 - S/LUX450



SPAZIALE 720

Gaskets and seals

1186907 GASKET FOR COFFEE OUTLET OPENING



SPAZIALE

Grinders

1251101 CONICAL GRINDING BURRS MACAP(PAIR) RIGHT
external \varnothing 63/40 mm - internal \varnothing 33/13 mm
thickness 23 mm - 3 mounting holes
for Grinder-dispenser (SPAZIALE) ASTRO8/CA



SPAZIALE 8785

1251002 GRINDING BURRS ANFIM (PAIR) LEFT
external \varnothing 64 mm - internal \varnothing 37 mm
thickness 9 mm - 3 fixing holes
for Grinder-dispenser (SPAZIALE) LUX800



SPAZIALE 749

1251003 GRINDING BURRS ANFIN (PAIR) LH
external \varnothing 75 mm - internal \varnothing 43 mm
thickness 9 mm - 3 mounting holes
for Grinder-dispenser (SPAZIALE) S/LUX450



SPAZIALE 5592

1251302 GRINDING BURRS MACAP (PAIR) RIGHT
external \varnothing 68 mm - internal \varnothing 38 mm
thickness 9 mm - 3 fixing holes
for Grinder-dispenser (SPAZIALE) M900 - M900A
M900T



SPAZIALE 7758



Suitable for:

SPAZIALE



1251304 GRINDING BURRS MACAP (PAIR) RIGHT
 external \varnothing 65 mm - internal \varnothing 38 mm
 thickness 8.5 mm - 3 fixing holes
 for Grinder-dispenser (SPAZIALE) ASTRO12
 ASTRO12/A - ASTRO8 - ASTRO8/A - MX - MXA - MXT



SPAZIALE 3276

1251062 GRINDING BURRS OBEL (PAIR) LEFT
 external \varnothing 50 mm - internal \varnothing 30 mm
 thickness 8 mm - 3 fixing holes
 for Grinder-dispenser (SPAZIALE) JUNIOR



SPAZIALE 4285

Grinding burr holders

1251063 GRINDING BURRS BOTTOM HOLDER
 for Grinder-dispenser (SPAZIALE) JUNIOR



SPAZIALE

1251309 GRINDING BURRS BOTTOM HOLDER
 for Grinder-dispenser (SPAZIALE) TOP



SPAZIALE

1251513 GRINDING BURRS BOTTOM HOLDER \varnothing 64 mm
 for Grinder-dispenser (SPAZIALE) LUX800



SPAZIALE 737

1251305 GRINDING BURRS BOTTOM HOLDER MODEL MX
 for Grinder-dispenser (SPAZIALE) ASTRO12
 ASTRO12/A - ASTRO8 - ASTRO8/A - MX - MXA - MXT



SPAZIALE 7159

1251303 GRINDING BURRS TOP HOLDER MX
 new model
 for Grinder-dispenser (SPAZIALE) MX - MXA - MXT



SPAZIALE 3590

1251301 GRINDING BURRS TOP HOLDER M9
 for Grinder-dispenser (SPAZIALE) ASTRO12
 ASTRO12/A - ASTRO8 - ASTRO8/A - M900 - M900A
 M900T



SPAZIALE

Ironmongery (screws,nuts,washers)

1252702 DOSER BLADE RING



SPAZIALE 6707

1348813 HEXAGONAL NUT M4 MEDIUM
 stainless steel - UNI 5588 - DIN 934 - ISO 4032



SPAZIALE 00631



SPAZIALE



Suitable for:

3060069 HEXAGONAL NUT M8 MEDIUM
stainless steel - UNI 5588 - DIN 934 - ISO 4032



SPAZIALE 01744

Suitable for:

1528643 SCREWS NO HEAD WITH HEX. SOCKET M6x20
stainless steel - flat end
UNI 5923 - DIN 923 - ISO 4026



SPAZIALE 6577

1528632 TAPERED END PIN M5x6
stainless steel - cone edge- slotted
UNI 6117 - DIN 533 - ISO 7434



SPAZIALE 7190

Knobs

1241750 COFFEE ADJUSTER



SPAZIALE 5654

1241121 DOSE ADJUSTMENT KNOB



SPAZIALE 726

1252280 DOSE ADJUSTMENT KNOB



SPAZIALE 8938

Levers

1225902 CHROME-PLATED DOSER LEVER
for Grinder-dispenser (SPAZIALE) LUX450 - LUX800S



SPAZIALE 1890

1252316 COMPLETE CHROME-PLATED DISPENSER LEVER
for Grinder-dispenser (SPAZIALE) LUX450 - LUX800S



SPAZIALE 715



Suitable for:

SPAZIALE



1252706 DOSER LEVER
 for Grinder-dispenser (SPAZIALE) ASTRO12
 ASTRO12/A - ASTRO8 - ASTRO8/A - ASTRO8/CA - MX
 MXA - MXT - M900 - M900A - M900T - TOP



SPAZIALE 4477

Suitable for:
1252297 LEVER COVER



SPAZIALE 8393

Microswitches, mechanical

1252719 AUTOMATIC MICROSWITCH BOX
 for Grinder-dispenser (SPAZIALE) ASTRO12
 ASTRO12/A - ASTRO8 - ASTRO8/A - ASTRO8/CA - MX
 MXA - MXT - M900 - M900A - M900T



SPAZIALE 7585

1240049 DOSER FLAP



SPAZIALE 8650

3240123 MICROSWITCH ROLD VRSRB1DA1
 16A 250V



SPAZIALE 3287

1240806 MICROSWITCH SAIA-BURGESS XGO42-88
 16(6)A 250V
 for Grinder-dispenser (SPAZIALE) LUX800



SPAZIALE

3240410 MICROSWITCH 16(4)A 250V



SPAZIALE 00607

3240203 BUSHING DOOR MICROSWITCH
 external \varnothing 10x15 mm



3240236 LIMIT SWITCH CONTROL



3240234 LIMIT SWITCH PIN





Suitable for:

3240233 MICROSWITCH FITTING M16x1.5 mm



SPAZIALE



Suitable for:

3250071 MICROSWITCH SPRING \varnothing 13x25 mm



3240235 RING NUT M16x1.5 mm



1252311 RING WITH STAINLESS STEEL BLADE
for Grinder-dispenser (SPAZIALE) LUX800



SPAZIALE

O-Ring and ORM gaskets

1186223 O-RING 02056 EPDM



SPAZIALE 4092

Pawls for coffee grinder dosers

1252705 DOSER PAWL



SPAZIALE 7162

1252303 PAWL GEAR 6 TEETH



SPAZIALE

Pins

1252428 DOSER CASE PIN \varnothing 6x24 mm



SPAZIALE 7160

1252424 DOSER LEVER PIN \varnothing 5x17 mm



SPAZIALE 7161



Suitable for:

SPAZIALE



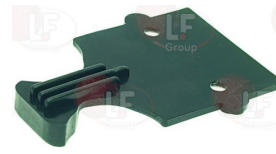
1252710 GRINDING BURRS LOCKING PIN



SPAZIALE 3284

Suitable for:

1252325 GRINDING CONTROL KNOB



SPAZIALE

1324941 LOCKING PIN



SPAZIALE

1324937 PUSH-BUTTON FOR GRIND. BURRS HOLDER PIN



SPAZIALE 1336

Springs

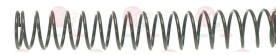
1250146 COFFEE TAMPER SPING \varnothing 10x65 mm

for FIORENZATO CS DOGE63-DOGE83
for GAGGIA MD64 NEW-MD75
for MACAP
MX-MXT-MXA-MX900-MXT900-MXA90-M7-M7T-M7A
M7900-M7T900-M7A90-MXK-MXKT-MXKA-M7K-M7KT-M7KA
for SPAZIALE MX-MXT-MXA-ASTRO 8/CA-ASTRO 8-8/A
ASTRO 12-12/A-M900-M900T-M900A



SPAZIALE 5739

1250273 COFFEE TAMPER SPRING



SPAZIALE 740

1250278 DOSE RELEASE HANDLE SPRING



SPAZIALE 741

1250350 DOSER BOSS SPRING



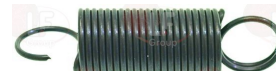
SPAZIALE 7186

1250263 DOSER LEVER RETURN SPRING
for BEZZERA BB105-BB95-BB90-BB004-BB003
for CARIMALI G1-GT-M JUNIOR-M1/M3
for OBEL JUNIOR-DSQ-EB-GLOBO "G"
for PAVONI ZIP
for SPAZIALE JUMIOR
for RENEKA B14



SPAZIALE 8651

1250944 DOSER LEVER RETURN SPRING
for ANFIM LUSO-SUPER LUSO-SPECIAL 450 AUTO
SPECIAL 450 TIMER-BEST-SUPER BEST-HAUS-CAIMANO
SUPER CAIMANO-CAIMANO SPECIAL 450 AUTO/TIMER
for SPAZIALE LUX 800-S/LUX 450



SPAZIALE 738



SPAZIALE



Suitable for:

1252707 DOSER LEVER SPRING \varnothing 4.5x24 mm



Suitable for:

1250272 DOSER STAR SPRING



SPAZIALE 6670

1250352 DOSER TORSION SPRING



SPAZIALE 787

1250353 GRINDING BURRS LOCKING SPRING



SPAZIALE 3606

1250265 LOCKING PIN SPRING



SPAZIALE 4461

1250267 PEG SPRING



SPAZIALE

1250175 SHEET SPRING



SPAZIALE

1250943 SQUARE SPRING



SPAZIALE 7433

1250260 **STAR SPRING**
for BEZZERA BB105-BB95-BB90-BB004-BB003
for CARIMALI G1-GT-M JUNIOR-M1/M3
for OBEL JUNIOR-DSQ-EB-GLOBO "G"
for PAVONI ZIP
for SPAZIALE JUNIOR
for RENEKA B14



SPAZIALE 732

SPAZIALE



Suitable for:

SPAZIALE



Suitable for:

Stars and spare parts

1343300 COMPLETE STAR WITHOUT BOSS



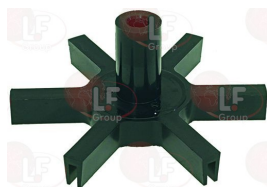
SPAZIALE 6694

1343043 LOWER STAR



SPAZIALE 2595

1343301 STAR WITH BOSS



SPAZIALE 5248

1343302 STAR WITH THREADED PIN



SPAZIALE 5736

Switches

3319012 BIPOLAR SWITCH GREEN 16A 250V
16(4)A 250V - max. temperature 120°C
with indicator lamp and push-button cap
mounting hole 22x30 mm - silk screen print 0 - I



SPAZIALE 3331

3319780 BLOCK CONNECTION WHITE 22x30 mm



3319779 BLOCK CONNECTIONS BLACK 22x30 mm



3319782 FRAME SAFETY 2 SIDES BLACK 22x30 mm



3319783 FRAME SAFETY 4 SIDES BLACK 22x30 mm



3319501 PUSH-BUTTON PROTECTION CAP
external dimensions 29x36 mm
for switches with mounting hole 22x30 mm





Suitable for:

3319934 BIPOLAR SWITCH ORANGE 16A 250V
 16(4)A 250V - max. temperature 120°C
 with indicator lamp - silk screen printing 0 - I
 mounting hole 22x30 mm



SPAZIALE 6086

SPAZIALE 767

3319779 BLOCK CONNECTIONS BLACK 22x30 mm



3319783 FRAME SAFETY 4 SIDES BLACK 22x30 mm



1319005 BIPOLAR SWITCH 16A 250V



SPAZIALE 06619

1319350 WHITE BIPOLAR SWITCH 16A 250V
 16(4)A 250V - with push-button cap
 silk-screen printing 0 - I
 mounting hole 22x30 mm



SPAZIALE 3277

3319779 BLOCK CONNECTIONS BLACK 22x30 mm



Suitable for:

3319780 BLOCK CONNECTION WHITE 22x30 mm



3319782 FRAME SAFETY 2 SIDES BLACK 22x30 mm



3319501 PUSH-BUTTON PROTECTION CAP
 external dimensions 29x36 mm
 for switches with mounting hole 22x30 mm



3319780 BLOCK CONNECTION WHITE 22x30 mm



3319782 FRAME SAFETY 2 SIDES BLACK 22x30 mm





Suitable for:

3319783 FRAME SAFETY 4 SIDES BLACK 22x30 mm



SPAZIALE



Suitable for:

3319501 PUSH-BUTTON PROTECTION CAP
external dimensions 29x36 mm
for switches with mounting hole 22x30 mm



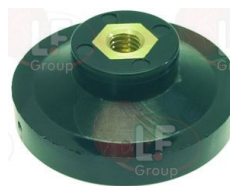
Tampers for coffee

1385015 COFFEE TAMPER \varnothing 57 mm
for Grinder-dispenser (SPAZIALE) MX - MXA - MXT
M900 - M900A - M900T



SPAZIALE 5741

1385540 LOWER COFFEE TAMPER \varnothing 52 mm



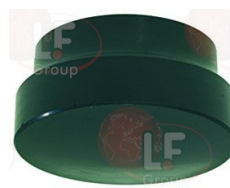
SPAZIALE 721

1385000 NYLON TAMPER \varnothing 50/52 mm



SPAZIALE 00644

1385201 TAMPER \varnothing 51.5 mm



SPAZIALE 3283

1385202 TAMPER HOLDER
new model



SPAZIALE 5940

1241122 UPPER COFFEE TAMPER KNOB



SPAZIALE 724

Timers

3446108 TIMER 4 MINUTES MT49
mechanical movement with balance wheel
mechanical timer with manual reset
4 minute manual reset cycle
2-pole with contact capacity 16(4)A 250V
max temperature 110°C
D-shaped pin \varnothing 6x4.6 mm



SPAZIALE 714

3241161 BLACK KNOB \varnothing 40 mm
D shaft hole 6x4.6 mm





Suitable for:

3241173 BLACK KNOB \varnothing 44 mm
D shaft hole 6x4.6 mm

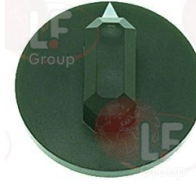


SPAZIALE



Suitable for:

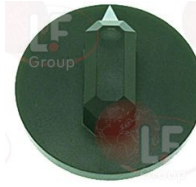
3241174 BLACK KNOB \varnothing 44 mm
D shaft hole 6x4.6 mm



1446300 TIMER 4 MINUTES M2
manually set mechanical timer
manually set cycle 4 minutes
contact capacity 16(4)A 250V
max temperature 125°C
D-shaped pin \varnothing 6x4.6 mm
complete with silkscreen printed plate and knob
for Grinder-dispenser (SPAZIALE) MX - MXA - MXT
M900 - M900A - M900T



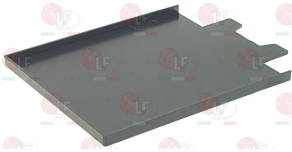
3241174 BLACK KNOB \varnothing 44 mm
D shaft hole 6x4.6 mm



SPAZIALE 3330

Trays

1252328 COFFEE COLLECTING BASE
for Grinder-dispenser (SPAZIALE) LUX800 - S/LUX450



SPAZIALE 1888

1252418 COFFEE COLLECTING TRAY
for Grinder-dispenser (SPAZIALE) M900 - M900A
M900T



SPAZIALE 7827

1252420 COFFEE COLLECTING TRAY
for Grinder-dispenser (SPAZIALE) MX - MXA - MXT



SPAZIALE 3335

1252419 COFFEE COLLECTING TRAY \varnothing 138 mm
for Grinder-dispenser (SPAZIALE) TOP



SPAZIALE

The data herewith contained may change without notice and LF SpA cannot be held responsible for possible errors stated or resulting by the use of this document. All rights reserved. No part of this publication may be reproduced without written permission by LF SpA.



Distributing Components, Spare Parts & Accessories in original quality worldwide

-
- LF SpA HEADQUARTERS**
via Voltri, 80 - 47522 Cesena (FC) ITALY
Tel. +39 0547 34 11 11 - Fax +39 0547 34 11 10
www.lfircambi724.it - info@lfircambi.it
Export Dept. Tel. +39 0547 34 11 50 - Fax +39 0547 34 11 55
www.lfspareparts724.com - export@lfspareparts.com
- LF SpA HOUSEHOLD COMPONENTS DIVISION**
Via Padriciano, 99 - AREA Science Park - 34149 Trieste (TS) ITALY
Tel. +39 0547 34 12 42 - Fax +39 0547 34 12 48
www.lfspareparts724.com - info@lfspareparts.com
- EPGC Sas FRANCE**
13, Rue des Forts - 59960 Neuville en Ferrain
Tel. +33 (0)3 20 25 06 21 - Fax +33 (0)3 20 25 34 12
www.epgc.com - epgc@epgc.com
- LF GmbH GERMANY**
Junkersstrasse, 3 - D-82178 Puchheim - München
Tel. +49 89 89 45 78 66 - Fax +49 89 89 45 78 88
www.lfersatzteile724.de - info@lfersatzteile.de
- LF China REPUBLIC OF CHINA**
Room 403, No.2, Huadu Mansion, Lane 422, Huanghua Rd.
Minhang Dist. - 201103 Shanghai
Tel. +86 (0)21 33 53 66 31 - Fax +86 (0)21 33 53 66 32
www.lfspareparts724.com - china@lfspareparts.com
- OOO LF RUSSIAN FEDERATION**
Ul. Anatoliya Zhivova, 8 - office 1 - 123100 Moscow
Tel./Fax +7 495 725 26 53
www.lfspareparts724.ru - info@lfspareparts.ru
- LF Repuestos Horeca S.L.U. SPAIN**
Poligono Industrial Carpetania - C/Miguel Faraday, 8 - 28906 Getafe
Tel. +34 91 477 91 00 - Fax +34 91 477 90 81
www.lfrepuestos-horeca724.es - info@lfrepuestos.es
- LF Scandinavia Aps - LF Spareparts S.p.A. DENMARK**
Nupark, 51 - 7500 Holstebro
Tel. +45 70 70 77 33
www.lfspareparts724.dk - denmark@lfspareparts.dk
- LF SpA Cesena (IT) Swiss Branch Steinhausen SWITZERLAND**
Sennweidstrasse, 45 - CH-6312 Steinhausen
Tel. +41 (0)41 760 15 80/1 - Fax +41 (0)41 760 15 85
www.lfersatzteile724.ch - info@lfersatzteile.ch
- LF Spare Parts Ltd. UNITED KINGDOM**
A10a Lakeside Business Park, Broadway Lane
South Cerney, Gloucestershire GL7 5XL
Tel. +44 (0)1285 86 16 25 - Fax +44 (0)1285 86 39 49
www.lfspareparts724.co.uk - info@lfspareparts.co.uk
- LF Central Est Europe S.r.o. CZECH REPUBLIC**
Antala Staska 1859/34
14000 Praha 4 - KRC
Tel. +420 730 156 910
www.lfspareparts724.cz - info@lfspareparts.cz
- LF SPARE PARTS INC. USA**
Legal address:
155 Office Plaza Dr - Suite A - Tallahassee, FL 32301
Business/Mailing address:
1100 South Tower, 225 Peachtree St., N.E. - Atlanta, GA 30303, USA
Tel. +1-404-525-2600 - Fax +1-404-586-3528
www.lfspareparts724.us - info@lfspareparts.us
Tel. West Coast and Midwest: 206-349-1525 Sauro
Tel. East Coast and the Caribbean: 786-817-1764 Luis
-
- AUSTRALIA AND NEW ZEALAND**
www.lfspareparts724.com
andrea.calvio@lfspareparts.com
- AUSTRIA**
www.lfersatzteile724.at
info@lfersatzteile.at
- BALKAN COUNTRIES**
www.lfspareparts724.com
matija.ramov@lfspareparts.com
- BALTIC COUNTRIES**
www.lfspareparts724.com
inara.silina@lfspareparts.com
- LATIN AMERICA AND THE CARRIBEANS**
www.lfrepuestos-horeca724.es
export@lfrepuestos.es
- POLAND**
www.lfspareparts724.pl
info@lfspareparts.pl
- SOUTH KOREA**
www.lfspareparts724.com
fabio.doni@lfspareparts.com
- TURKEY**
www.lfyedekparca724.com
export@lfspareparts.com