



Spare parts for the professional sector: Coffee grinders



Suitable for:

SAN MARCO



This catalogue is automatically generated.
Therefore, the sequence of the items might
not be always shown at best.
Updates will be issued in case of additions
and/or amendments.

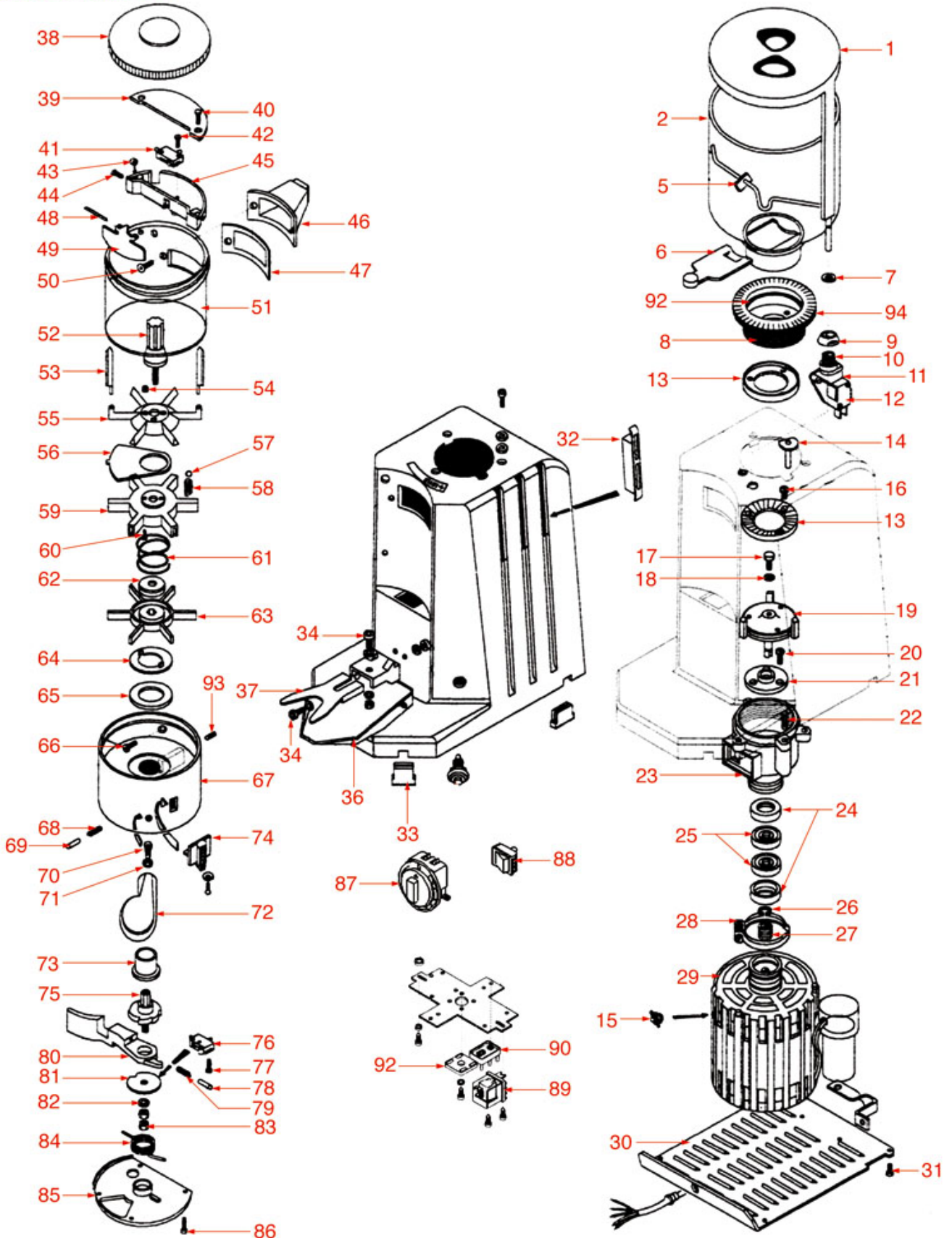
Suitable universal spare parts may not be included





GRINDER ASSEMBLY SM90-SM90A OLD

SM90-SM90A OLD



SMM0101



SAN MARCO

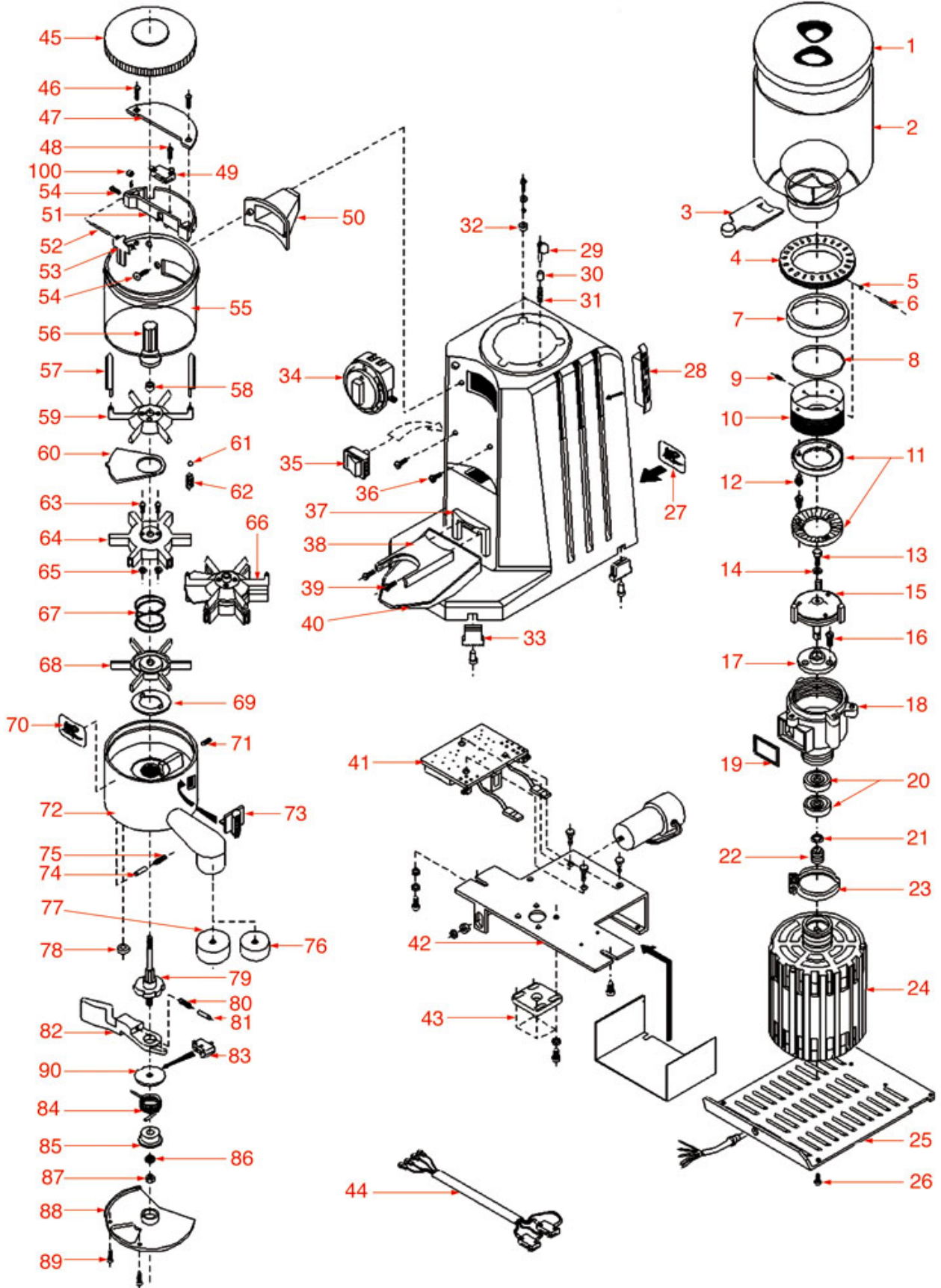


Position	LF code no.	Description
2	1080004	COFFEE HOPPER
5	1240031	COMPLETE MAGNET
6	1252034	COFFEE HOPPER CLOSING SHEET
7	1186421	O-RING 02018 EPDM
8	1251005	GR.BURRS HOLDER UPPER RING NUT \varnothing 63 mm
9	1252033	THREADED RING NUT
11	1250044	MICROSWITCH SPRING
12	3240123	MICROSWITCH ROLD VRSRB1DA1
13	1251086	GRINDING BURRS SAN MARCO (PAIR) RH
16	1528516	CYLINDER HEAD SCREW M5x12
19	1251010	GRINDING BURRS BOTTOM HOLDER
22	1250200	PIN SPRING \varnothing 5.5x32 mm
24	1252042	BEARING GASKET
27	1250059	MOTOR PIN SPRING
28	1168011	STAINLESS STEEL CLAMP FOR FLANGE PUMP
33	1313009	RECTANGULAR FOOT
36	1260009	COFFEE COLLECTION TRAY
38	1252022	DOSER LID \varnothing 120 mm
39	1252031	MICROSWITCH BOX LID
41	3240123	MICROSWITCH ROLD VRSRB1DA1
42	5010319	SELF-TAPPING SCREW \varnothing 2.9x16 mm
43	3528232	HEXAGONAL NUT MEDIUM SIZE M4
45	1252032	MICROSWITCH BOX
46	1252027	GASKET FOR COFFEE OUTLET OPENING
47	1186485	GASKET FOR COFFEE OUTLET OPENING
48	1240058	PIN FOR FLAP
49	1252038	OVERFLOW FLAP
51	1252023	DOSER CYLINDER
52	1252030	DOSE ADJUSTMENT KNOB
53	1343014	SCRAPER FOR DOSER
54	1348025	HEXAGONAL NUT M3
55	1343004	TOP STAR
56	1252036	DIVIDING SHEET
57	1252039	LOCKING BALL
58	1250049	SPRING FOR STAR CLOSING BALL
59	1343009	CENTRAL STAR
61	1250043	STAR SPRING
63	1343008	BOTTOM STAR
68	1250199	PIN SPRING \varnothing 3.5x20 mm
74	1252470	COUNTER FOR COFFEE GRINDER/DOSER
75	1225030	6-TEETH PAWL WITH KNOB
76	3240406	MICROSWITCH SAIA-BURGESS
78	1324113	DOSER LEVER PIN \varnothing 5x16 mm
79	1250045	PIN SPRING
80	1252026	DOSER LEVER
83	1528030	MID HEXAGONAL NUT M6
84	1250048	DOSER LEVER RETURN SPRING
87	3446151	TIMER 5 MINUTES C20
88	3319029	BIPOLAR SWITCH GREEN 16A 250V
89	3351007	POWER RELAY FINDER 55.32.8.230.0040
92	1186763	O-RING 0171 EPDM



GRINDER ASSEMBLY SM90-SM90A NEW

SM90-SM90A NEW



SMM0201

Positions without LF code no.: upon request



SAN MARCO

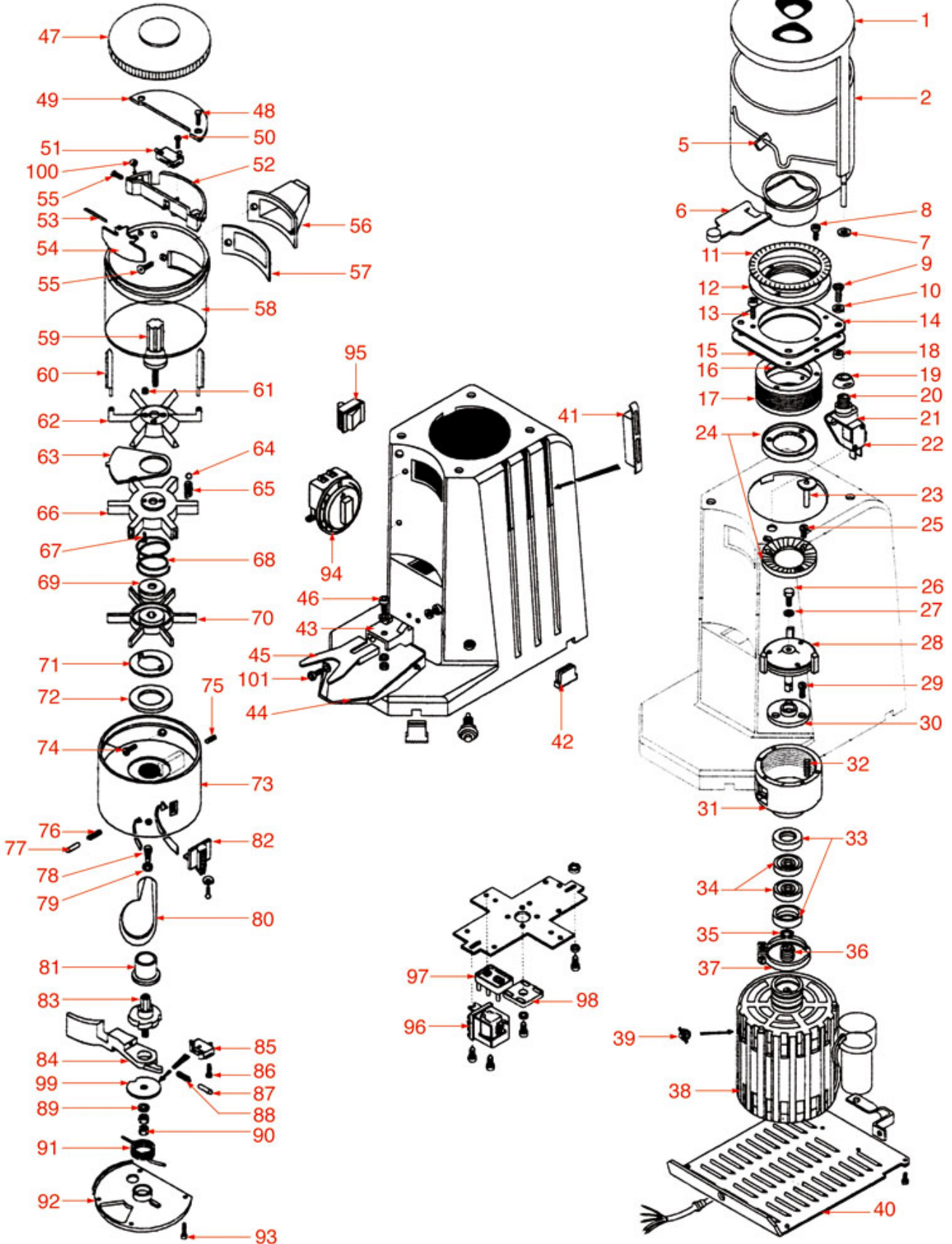


Position	LF code no.	Description
1	1080099	COFFEE HOPPER LID \varnothing 180 mm
2	1080004	COFFEE HOPPER
3	1252034	COFFEE HOPPER CLOSING SHEET
5	1348817	CIRCLIP RADIAL \varnothing 4 mm
7	1186739	GASKET \varnothing 98x80x9 mm
8	1186763	O-RING 0171 EPDM
10	1251143	GRINDING BURRS UPPER HOLDER
11	1251086	GRINDING BURRS SAN MARCO (PAIR) RH
12	1528516	CYLINDER HEAD SCREW M5x12
15	1251010	GRINDING BURRS BOTTOM HOLDER
19	1186485	GASKET FOR COFFEE OUTLET OPENING
22	1250059	MOTOR PIN SPRING
23	1168011	STAINLESS STEEL CLAMP FOR FLANGE PUMP
29	1252464	LOCKING PIN
30	1252456	BUSHING \varnothing 7x6x5,5 mm
31	1250200	PIN SPRING \varnothing 5.5x32 mm
33	1313009	RECTANGULAR FOOT
34	3446151	TIMER 5 MINUTES C20
35	3319029	BIPOLAR SWITCH GREEN 16A 250V
38	1162019	FILTER HOLDER FORK
40	1260009	COFFEE COLLECTION TRAY
41	1390016	PRINTED CIRCUIT BOARD 230V
45	1252022	DOSER LID \varnothing 120 mm
47	1252031	MICROSWITCH BOX LID
48	5010319	SELF-TAPPING SCREW \varnothing 2.9x16 mm
49	3240123	MICROSWITCH ROLD VRSRB1DA1
50	1252027	GASKET FOR COFFEE OUTLET OPENING
51	1252032	MICROSWITCH BOX
52	1240058	PIN FOR FLAP
53	1252038	OVERFLOW FLAP
55	1252023	DOSER CYLINDER
56	1241088	ADJUSTMENT KNOB
57	1343014	SCRAPER FOR DOSER
59	1343004	TOP STAR
60	1252036	DIVIDING SHEET
61	1252039	LOCKING BALL
62	1250049	SPRING FOR STAR CLOSING BALL
64	1343009	CENTRAL STAR
65	1348025	HEXAGONAL NUT M3
67	1250043	STAR SPRING
68	1343008	BOTTOM STAR
73	1252470	COUNTER FOR COFFEE GRINDER/DOSER
75	1250199	PIN SPRING \varnothing 3.5x20 mm
76	1385021	TAMPER \varnothing 53,7 mm
77	1385022	TAMPER \varnothing 56,5 mm
79	1252028	DOSER LEVER PIN
80	1250045	PIN SPRING
81	1324113	DOSER LEVER PIN \varnothing 5x16 mm
82	1252026	DOSER LEVER
83	3240406	MICROSWITCH SAIA-BURGESS
84	1250048	DOSER LEVER RETURN SPRING
87	1528030	MID HEXAGONAL NUT M6
100	3528232	HEXAGONAL NUT MEDIUM SIZE M4



GRINDER ASSEMBLY SM95-SM95A OLD

SM95-SM95A OLD



SMM0301



SAN MARCO

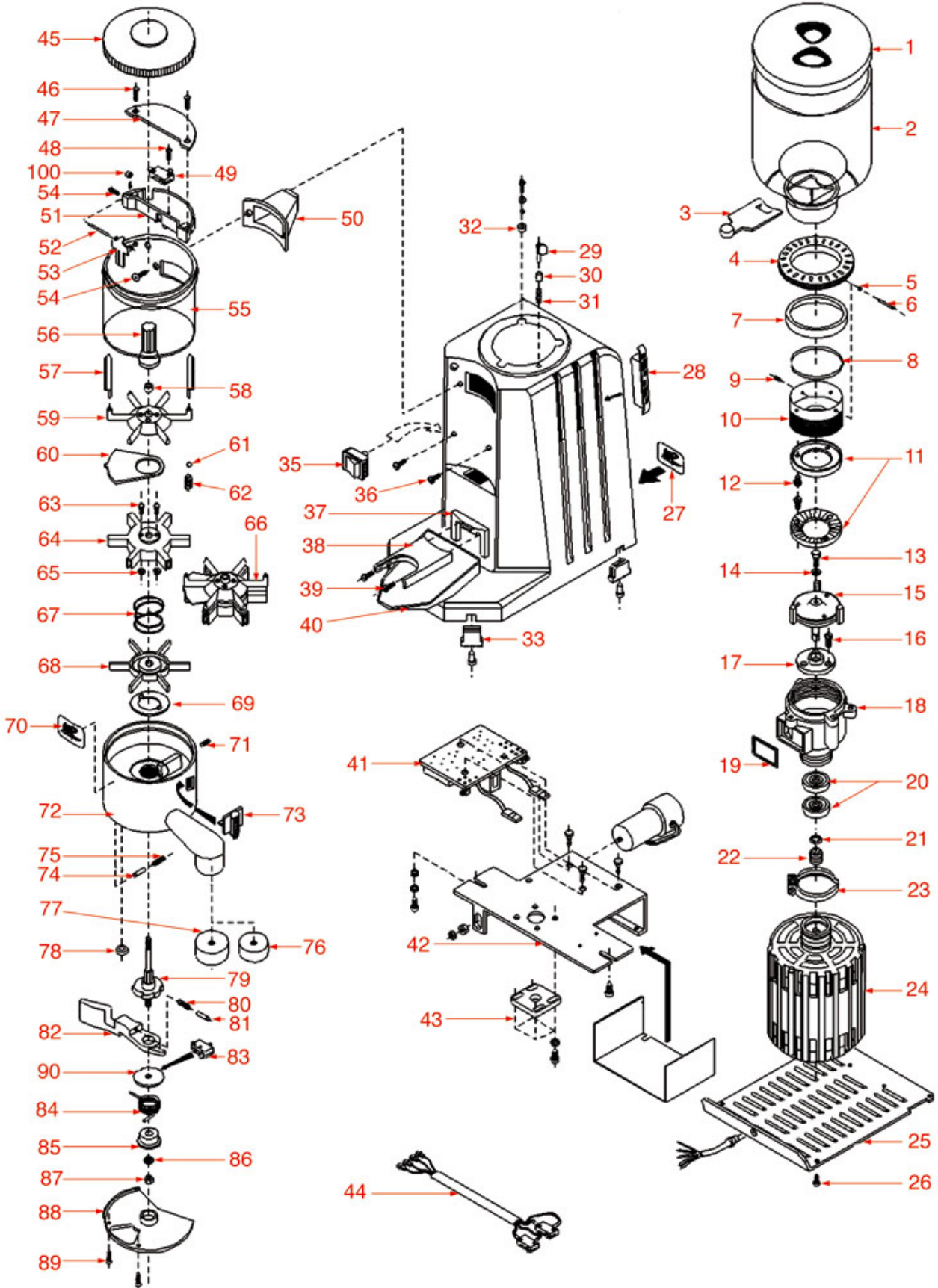


Position	LF code no.	Description
2	1080004	COFFEE HOPPER
5	1240031	COMPLETE MAGNET
6	1252034	COFFEE HOPPER CLOSING SHEET
7	1186421	O-RING 02018 EPDM
16	1186763	O-RING 0171 EPDM
19	1252033	THREADED RING NUT
21	1250044	MICROSWITCH SPRING
22	3240123	MICROSWITCH ROLD VRSRB1DA1
24	1251087	GRINDING BURRS SAN MARCO (PAIR) RH
25	1528516	CYLINDER HEAD SCREW M5x12
28	1251133	GRINDING BURRS BOTTOM HOLDER ø 84 mm
32	1250200	PIN SPRING ø 5.5x32 mm
33	1252042	BEARING GASKET
36	1250059	MOTOR PIN SPRING
37	1168011	STAINLESS STEEL CLAMP FOR FLANGE PUMP
42	1313009	RECTANGULAR FOOT
44	1260009	COFFEE COLLECTION TRAY
47	1252022	DOSER LID ø 120 mm
49	1252031	MICROSWITCH BOX LID
50	5010319	SELF-TAPPING SCREW ø 2.9x16 mm
51	3240123	MICROSWITCH ROLD VRSRB1DA1
52	1252032	MICROSWITCH BOX
53	1240058	PIN FOR FLAP
54	1252038	OVERFLOW FLAP
56	1252027	GASKET FOR COFFEE OUTLET OPENING
57	1186485	GASKET FOR COFFEE OUTLET OPENING
58	1252023	DOSER CYLINDER
59	1252030	DOSE ADJUSTMENT KNOB
60	1343014	SCRAPER FOR DOSER
61	1348025	HEXAGONAL NUT M3
62	1343004	TOP STAR
63	1252036	DIVIDING SHEET
64	1252039	LOCKING BALL
65	1250049	SPRING FOR STAR CLOSING BALL
66	1343009	CENTRAL STAR
68	1250043	STAR SPRING
70	1343008	BOTTOM STAR
76	1250199	PIN SPRING ø 3.5x20 mm
82	1252470	COUNTER FOR COFFEE GRINDER/DOSER
83	1225030	6-TEETH PAWL WITH KNOB
84	1252026	DOSER LEVER
85	3240406	MICROSWITCH SAIA-BURGESS
87	1324113	DOSER LEVER PIN ø 5x16 mm
88	1250045	PIN SPRING
90	1528030	MID HEXAGONAL NUT M6
91	1250048	DOSER LEVER RETURN SPRING
94	3446151	TIMER 5 MINUTES C20
95	3319029	BIPOLAR SWITCH GREEN 16A 250V
96	3351007	POWER RELAY FINDER 55.32.8.230.0040
100	3528232	HEXAGONAL NUT MEDIUM SIZE M4



GRINDER ASSEMBLY SM95-SM95A NEW

SM95-SM95A NEW



SMM0401



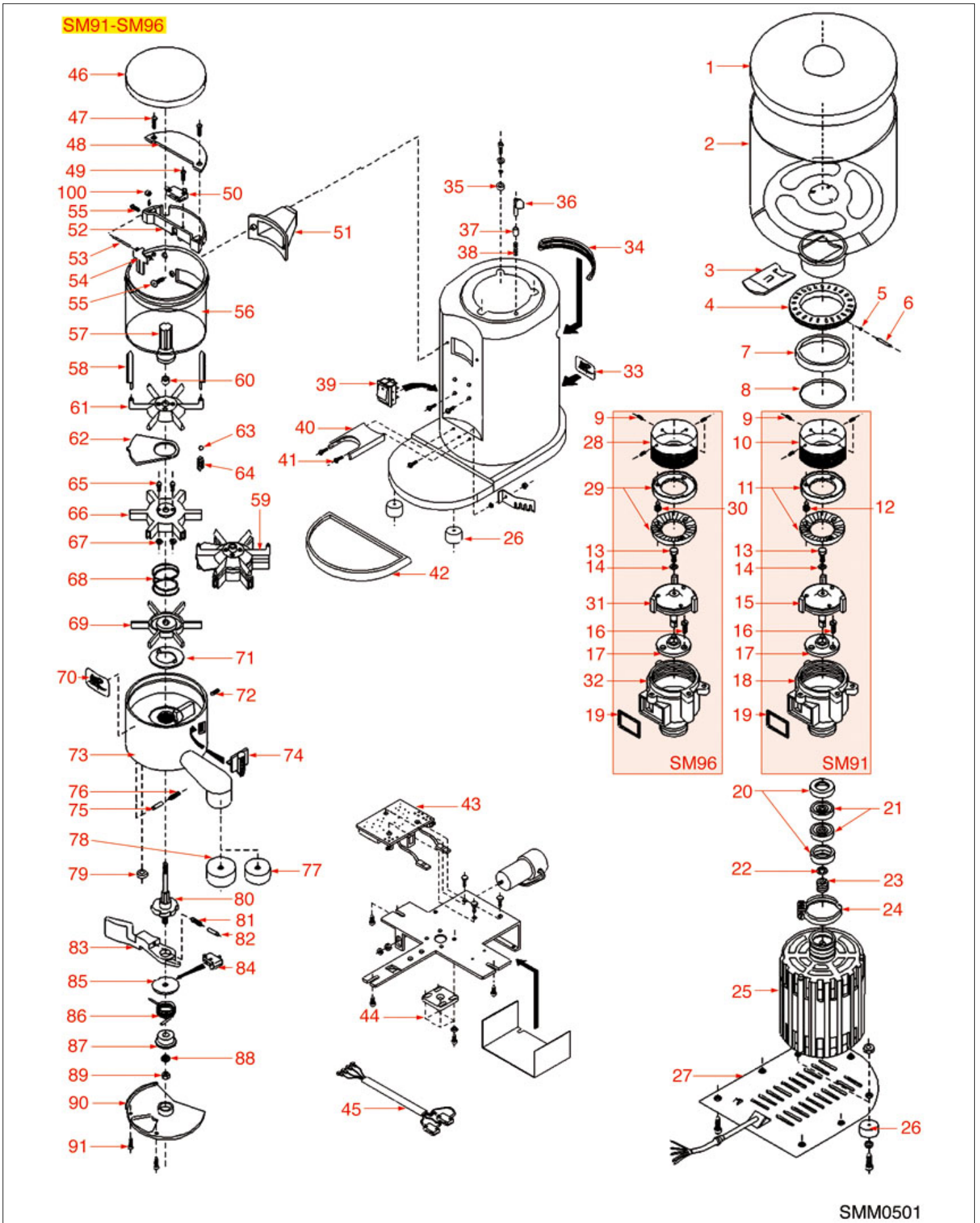
SAN MARCO



Position	LF code no.	Description
1	1080099	COFFEE HOPPER LID ø 180 mm
2	1080004	COFFEE HOPPER
3	1252034	COFFEE HOPPER CLOSING SHEET
5	1348817	CIRCLIP RADIAL ø 4 mm
7	1186739	GASKET ø 98x80x9 mm
8	1186763	O-RING 0171 EPDM
11	1251087	GRINDING BURRS SAN MARCO (PAIR) RH
12	1528516	CYLINDER HEAD SCREW M5x12
19	1186485	GASKET FOR COFFEE OUTLET OPENING
22	1250059	MOTOR PIN SPRING
23	1168011	STAINLESS STEEL CLAMP FOR FLANGE PUMP
29	1252464	LOCKING PIN
30	1252456	BUSHING ø 7x6x5,5 mm
31	1250200	PIN SPRING ø 5.5x32 mm
33	1313009	RECTANGULAR FOOT
35	3319029	BIPOLAR SWITCH GREEN 16A 250V
38	1162019	FILTER HOLDER FORK
40	1260009	COFFEE COLLECTION TRAY
41	1390016	PRINTED CIRCUIT BOARD 230V
45	1252022	DOSER LID ø 120 mm
47	1252031	MICROSWITCH BOX LID
48	5010319	SELF-TAPPING SCREW ø 2.9x16 mm
49	3240123	MICROSWITCH ROLD VRSRB1DA1
50	1252027	GASKET FOR COFFEE OUTLET OPENING
51	1252032	MICROSWITCH BOX
52	1240058	PIN FOR FLAP
53	1252038	OVERFLOW FLAP
55	1252023	DOSER CYLINDER
56	1241088	ADJUSTMENT KNOB
57	1343014	SCRAPER FOR DOSER
59	1343004	TOP STAR
60	1252036	DIVIDING SHEET
61	1252039	LOCKING BALL
62	1250049	SPRING FOR STAR CLOSING BALL
64	1343009	CENTRAL STAR
65	1348025	HEXAGONAL NUT M3
67	1250043	STAR SPRING
68	1343008	BOTTOM STAR
73	1252470	COUNTER FOR COFFEE GRINDER/DOSER
75	1250199	PIN SPRING ø 3.5x20 mm
76	1385021	TAMPER ø 53,7 mm
77	1385022	TAMPER ø 56,5 mm
79	1252028	DOSER LEVER PIN
80	1250045	PIN SPRING
81	1324113	DOSER LEVER PIN ø 5x16 mm
82	1252026	DOSER LEVER
83	3240406	MICROSWITCH SAIA-BURGESS
84	1250048	DOSER LEVER RETURN SPRING
87	1528030	MID HEXAGONAL NUT M6
100	3528232	HEXAGONAL NUT MEDIUM SIZE M4



GRINDER ASSEMBLY SM91-SM96



SMM0501



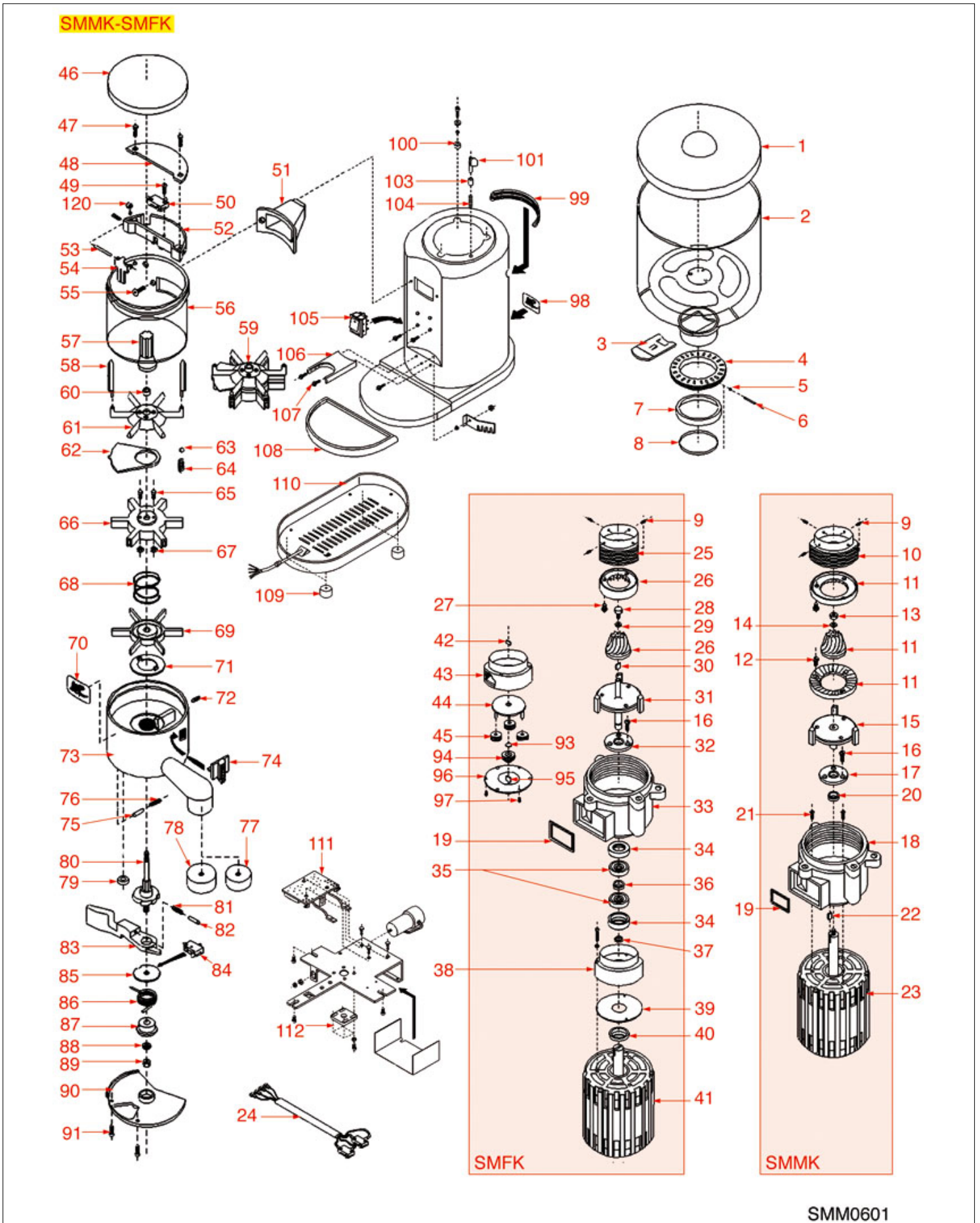
SAN MARCO



Position	LF code no.	Description
1	1252040	COFFEE HOPPER LID \varnothing 225 mm
2	1080003	COFFEE HOPPER 4.6 L
2	1080005	COFFEE HOPPER 6 L
3	1252035	COFFEE HOPPER CLOSING SHEET
5	1348817	CIRCLIP RADIAL \varnothing 4 mm
7	1186739	GASKET \varnothing 98x80x9 mm
8	1186763	O-RING 0171 EPDM
10	1251143	GRINDING BURRS UPPER HOLDER
11	1251086	GRINDING BURRS SAN MARCO (PAIR) RH
12	1528516	CYLINDER HEAD SCREW M5x12
15	1251010	GRINDING BURRS BOTTOM HOLDER
19	1186485	GASKET FOR COFFEE OUTLET OPENING
20	1252042	BEARING GASKET
23	1250059	MOTOR PIN SPRING
24	1168011	STAINLESS STEEL CLAMP FOR FLANGE PUMP
29	1251087	GRINDING BURRS SAN MARCO (PAIR) RH
30	1528516	CYLINDER HEAD SCREW M5x12
31	1251133	GRINDING BURRS BOTTOM HOLDER \varnothing 84 mm
37	1252456	BUSHING \varnothing 7x6x5,5 mm
38	1250200	PIN SPRING \varnothing 5.5x32 mm
39	3319295	BIPOLAR SWITCH BLACK 16A 250V
40	1251013	FILTER HOLDER FORK
42	1260005	COFFEE COLLECTION TRAY
43	1390016	PRINTED CIRCUIT BOARD 230V
46	1252029	DOSER LID
48	1252031	MICROSWITCH BOX LID
49	5010319	SELF-TAPPING SCREW \varnothing 2.9x16 mm
50	3240123	MICROSWITCH ROLD VRSRB1DA1
51	1252027	GASKET FOR COFFEE OUTLET OPENING
52	1252032	MICROSWITCH BOX
53	1240058	PIN FOR FLAP
54	1252038	OVERFLOW FLAP
56	1252023	DOSER CYLINDER
57	1252043	DOSE ADJUSTMENT KNOB
58	1343068	DOSER SCRAPER
61	1343007	TOP STAR
62	1252036	DIVIDING SHEET
63	1252039	LOCKING BALL
64	1250049	SPRING FOR STAR CLOSING BALL
66	1343005	CENTRAL STAR
67	1348025	HEXAGONAL NUT M3
68	1250043	STAR SPRING
69	1343003	BOTTOM STAR
74	1252470	COUNTER FOR COFFEE GRINDER/DOSER
76	1250199	PIN SPRING \varnothing 3.5x20 mm
77	1385018	COFFEE TAMPER \varnothing 56.5 mm
78	1385008	TAMPER \varnothing 53
80	1252028	DOSER LEVER PIN
81	1250045	PIN SPRING
82	1324113	DOSER LEVER PIN \varnothing 5x16 mm
83	1252026	DOSER LEVER
84	3240406	MICROSWITCH SAIA-BURGESS
86	1250048	DOSER LEVER RETURN SPRING
89	1528030	MID HEXAGONAL NUT M6
100	3528232	HEXAGONAL NUT MEDIUM SIZE M4



GRINDER ASSEMBLY SMMK-SMFK



Positions without LF code no.: upon request



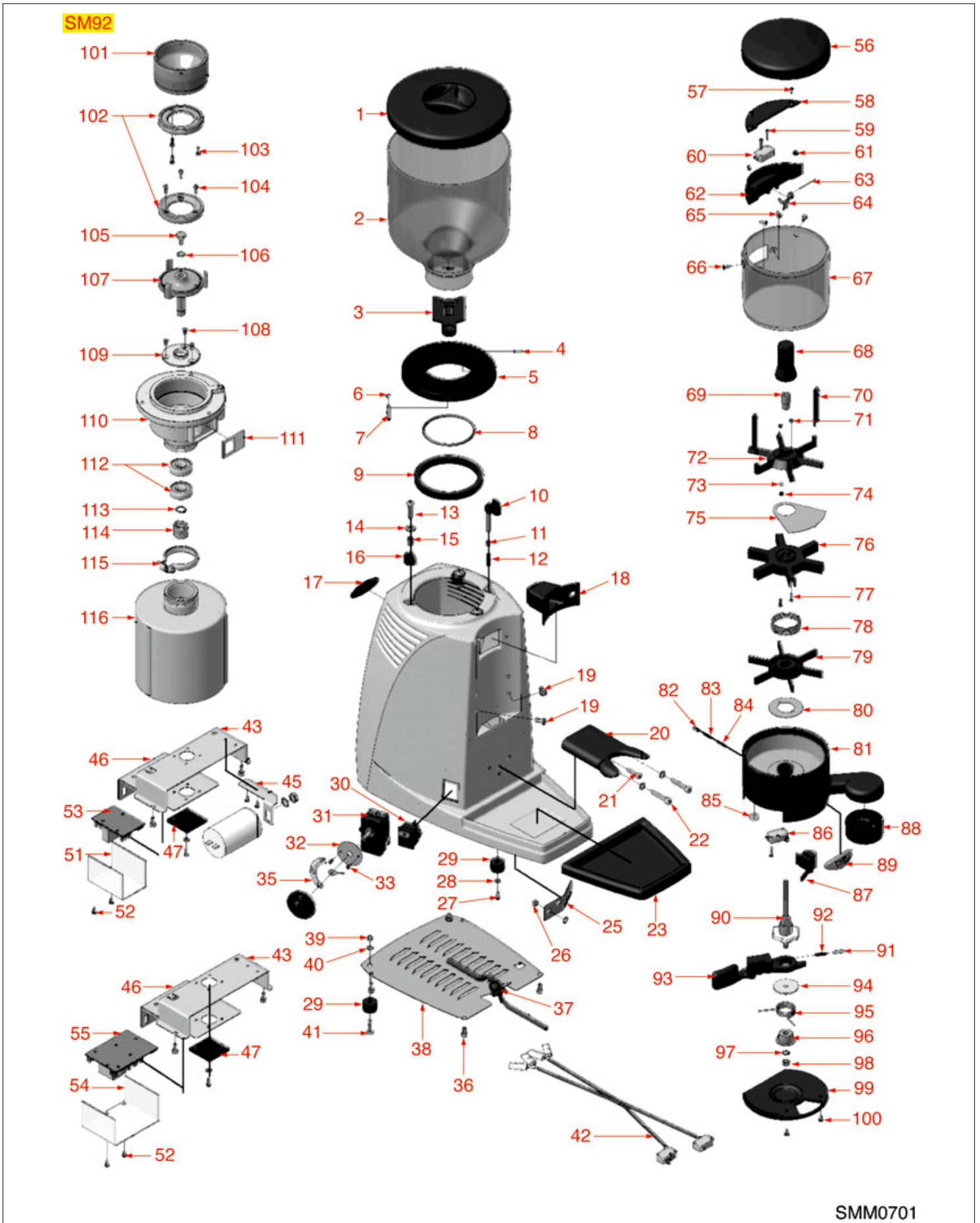
SAN MARCO



Position	LF code no.	Description
1	1252040	COFFEE HOPPER LID ø 225 mm
2	1080003	COFFEE HOPPER 4.6 L
2	1080005	COFFEE HOPPER 6 L
3	1252035	COFFEE HOPPER CLOSING SHEET
5	1348817	CIRCLIP RADIAL ø 4 mm
7	1186739	GASKET ø 98x80x9 mm
8	1186763	O-RING 0171 EPDM
11	1251012	HALF CONICAL GRIND.BURR S.MARCO(PAIR) RH
12	1528516	CYLINDER HEAD SCREW M5x12
19	1186485	GASKET FOR COFFEE OUTLET OPENING
26	1251134	CONICAL GRIND.BURRS SAN MARCO (PAIR) RH
27	1528049	CYLINDER HEAD SCREW M4x16
46	1252029	DOSER LID
48	1252031	MICROSWITCH BOX LID
49	5010319	SELF-TAPPING SCREW ø 2.9x16 mm
50	3240123	MICROSWITCH ROLD VRSRB1DA1
51	1252027	GASKET FOR COFFEE OUTLET OPENING
52	1252032	MICROSWITCH BOX
53	1240058	PIN FOR FLAP
54	1252038	OVERFLOW FLAP
56	1252023	DOSER CYLINDER
57	1252043	DOSE ADJUSTMENT KNOB
58	1343068	DOSER SCRAPER
61	1343007	TOP STAR
62	1252036	DIVIDING SHEET
63	1252039	LOCKING BALL
64	1250049	SPRING FOR STAR CLOSING BALL
66	1343005	CENTRAL STAR
67	1348025	HEXAGONAL NUT M3
68	1250043	STAR SPRING
69	1343003	BOTTOM STAR
74	1252470	COUNTER FOR COFFEE GRINDER/DOSER
76	1250199	PIN SPRING ø 3.5x20 mm
77	1385018	COFFEE TAMPER ø 56.5 mm
78	1385008	TAMPER ø 53
80	1252028	DOSER LEVER PIN
81	1250045	PIN SPRING
82	1324113	DOSER LEVER PIN ø 5x16 mm
83	1252026	DOSER LEVER
84	3240406	MICROSWITCH SAIA-BURGESS
86	1250048	DOSER LEVER RETURN SPRING
89	1528030	MID HEXAGONAL NUT M6
103	1252456	BUSHING ø 7x6x5,5 mm
104	1250200	PIN SPRING ø 5.5x32 mm
105	3319295	BIPOLAR SWITCH BLACK 16A 250V
106	1251013	FILTER HOLDER FORK
108	1260005	COFFEE COLLECTION TRAY
111	1390016	PRINTED CIRCUIT BOARD 230V
120	3528232	HEXAGONAL NUT MEDIUM SIZE M4



GRINDER ASSEMBLY SM92



SMM0701

Positions without LF code no.: upon request



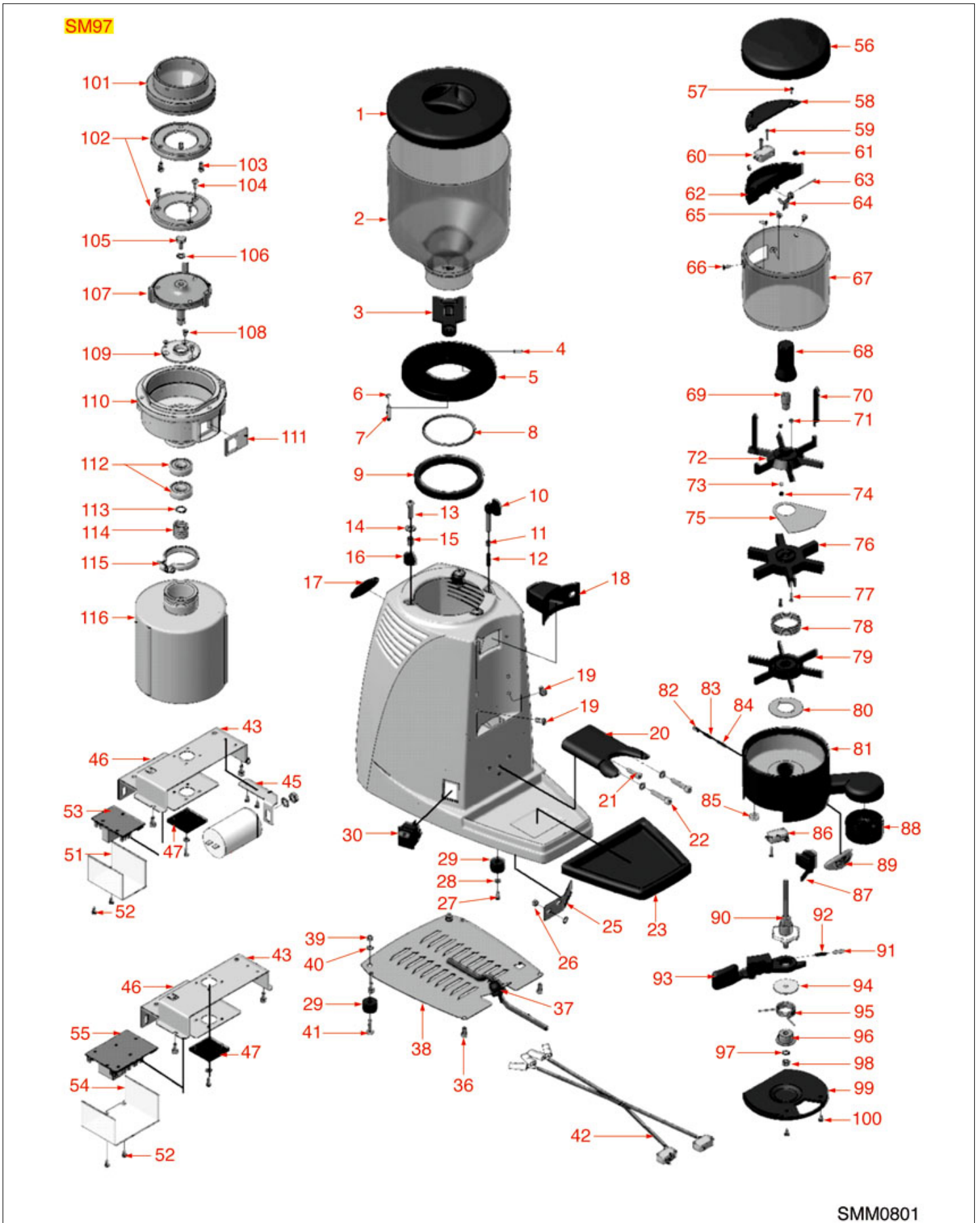
SAN MARCO



Position	LF code no.	Description
1	1080100	COFFEE HOPPER LID ø 175 mm
2	1080004	COFFEE HOPPER
3	1252034	COFFEE HOPPER CLOSING SHEET
6	1348817	CIRCLIP RADIAL ø 4 mm
8	1186763	O-RING 0171 EPDM
9	1186739	GASKET ø 98x80x9 mm
10	1252464	LOCKING PIN
11	1252456	BUSHING ø 7x6x5,5 mm
12	1250200	PIN SPRING ø 5.5x32 mm
18	1252027	GASKET FOR COFFEE OUTLET OPENING
20	1162018	FILTER HOLDER FORK
23	1260008	COFFEE COLLECTING TRAY
26	3528213	HEXAGONAL NUT MID M5
30	3319296	BLACK BIPOLAR SWITCH 16A 250V
39	3528213	HEXAGONAL NUT MID M5
53	1390016	PRINTED CIRCUIT BOARD 230V
56	1090028	DOSER LID ø 125 mm
58	1252031	MICROSWITCH BOX LID
59	5010319	SELF-TAPPING SCREW ø 2.9x16 mm
60	3240123	MICROSWITCH ROLD VRSRB1DA1
61	3528232	HEXAGONAL NUT MEDIUM SIZE M4
62	1252032	MICROSWITCH BOX
63	1240058	PIN FOR FLAP
64	1252038	OVERFLOW FLAP
67	1252023	DOSER CYLINDER
68	1241088	ADJUSTMENT KNOB
70	1343014	SCRAPER FOR DOSER
71	1348025	HEXAGONAL NUT M3
72	1343004	TOP STAR
73	1252039	LOCKING BALL
74	1250049	SPRING FOR STAR CLOSING BALL
75	1252036	DIVIDING SHEET
76	1343009	CENTRAL STAR
78	1250043	STAR SPRING
79	1343008	BOTTOM STAR
83	1250199	PIN SPRING ø 3.5x20 mm
86	3240406	MICROSWITCH SAIA-BURGESS
87	1252470	COUNTER FOR COFFEE GRINDER/DOSER
88	1385021	TAMPER ø 53,7 mm
88	1385022	TAMPER ø 56,5 mm
90	1252028	DOSER LEVER PIN
91	1324113	DOSER LEVER PIN ø 5x16 mm
92	1250045	PIN SPRING
93	1252026	DOSER LEVER
95	1250048	DOSER LEVER RETURN SPRING
98	1528030	MID HEXAGONAL NUT M6
101	1251143	GRINDING BURRS UPPER HOLDER
102	1251086	GRINDING BURRS SAN MARCO (PAIR) RH
103	1528516	CYLINDER HEAD SCREW M5x12
104	1528516	CYLINDER HEAD SCREW M5x12
107	1251010	GRINDING BURRS BOTTOM HOLDER
111	1186485	GASKET FOR COFFEE OUTLET OPENING
114	1250059	MOTOR PIN SPRING
115	1168011	STAINLESS STEEL CLAMP FOR FLANGE PUMP



GRINDER ASSEMBLY SM97



Positions without LF code no.: upon request



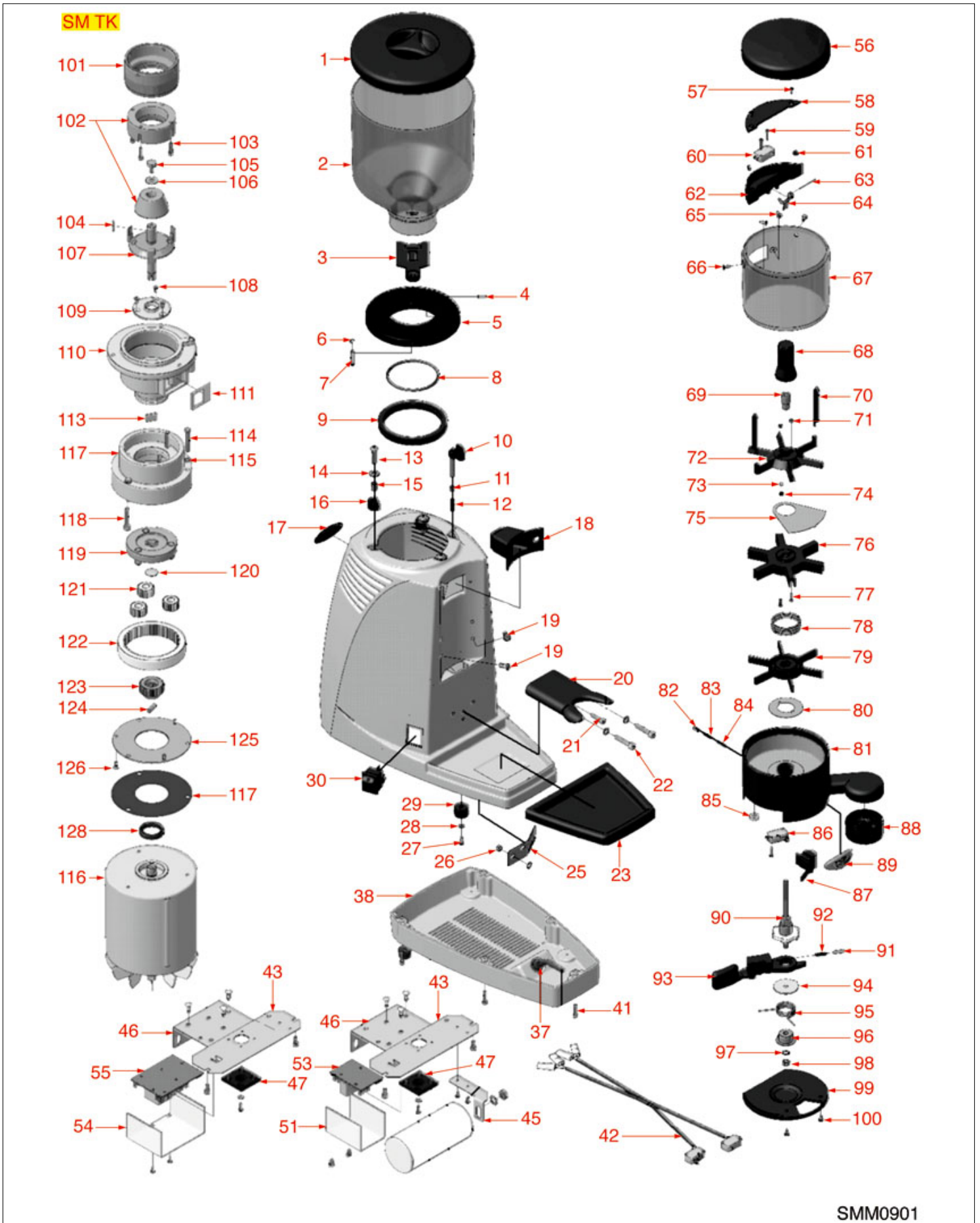
SAN MARCO



Position	LF code no.	Description
1	1080100	COFFEE HOPPER LID ø 175 mm
2	1080004	COFFEE HOPPER
3	1252034	COFFEE HOPPER CLOSING SHEET
6	1348817	CIRCLIP RADIAL ø 4 mm
8	1186763	O-RING 0171 EPDM
9	1186739	GASKET ø 98x80x9 mm
10	1252464	LOCKING PIN
11	1252456	BUSHING ø 7x6x5,5 mm
12	1250200	PIN SPRING ø 5.5x32 mm
18	1252027	GASKET FOR COFFEE OUTLET OPENING
20	1162018	FILTER HOLDER FORK
23	1260008	COFFEE COLLECTING TRAY
26	3528213	HEXAGONAL NUT MID M5
30	3319296	BLACK BIPOLAR SWITCH 16A 250V
39	3528213	HEXAGONAL NUT MID M5
53	1390016	PRINTED CIRCUIT BOARD 230V
56	1090028	DOSER LID ø 125 mm
58	1252031	MICROSWITCH BOX LID
59	5010319	SELF-TAPPING SCREW ø 2.9x16 mm
60	3240123	MICROSWITCH ROLD VRSRB1DA1
61	3528232	HEXAGONAL NUT MEDIUM SIZE M4
62	1252032	MICROSWITCH BOX
63	1240058	PIN FOR FLAP
64	1252038	OVERFLOW FLAP
67	1252023	DOSER CYLINDER
68	1241088	ADJUSTMENT KNOB
70	1343014	SCRAPER FOR DOSER
71	1348025	HEXAGONAL NUT M3
72	1343004	TOP STAR
73	1252039	LOCKING BALL
74	1250049	SPRING FOR STAR CLOSING BALL
75	1252036	DIVIDING SHEET
76	1343009	CENTRAL STAR
78	1250043	STAR SPRING
79	1343008	BOTTOM STAR
83	1250199	PIN SPRING ø 3.5x20 mm
86	3240406	MICROSWITCH SAIA-BURGESS
87	1252470	COUNTER FOR COFFEE GRINDER/DOSER
88	1385021	TAMPER ø 53,7 mm
88	1385022	TAMPER ø 56,5 mm
90	1252028	DOSER LEVER PIN
91	1324113	DOSER LEVER PIN ø 5x16 mm
92	1250045	PIN SPRING
93	1252026	DOSER LEVER
95	1250048	DOSER LEVER RETURN SPRING
98	1528030	MID HEXAGONAL NUT M6
102	1251087	GRINDING BURRS SAN MARCO (PAIR) RH
103	1528516	CYLINDER HEAD SCREW M5x12
104	1528516	CYLINDER HEAD SCREW M5x12
107	1251133	GRINDING BURRS BOTTOM HOLDER ø 84 mm
111	1186485	GASKET FOR COFFEE OUTLET OPENING
114	1250059	MOTOR PIN SPRING
115	1168011	STAINLESS STEEL CLAMP FOR FLANGE PUMP



GRINDER ASSEMBLY SMTK



SMM0901

Positions without LF code no.: upon request



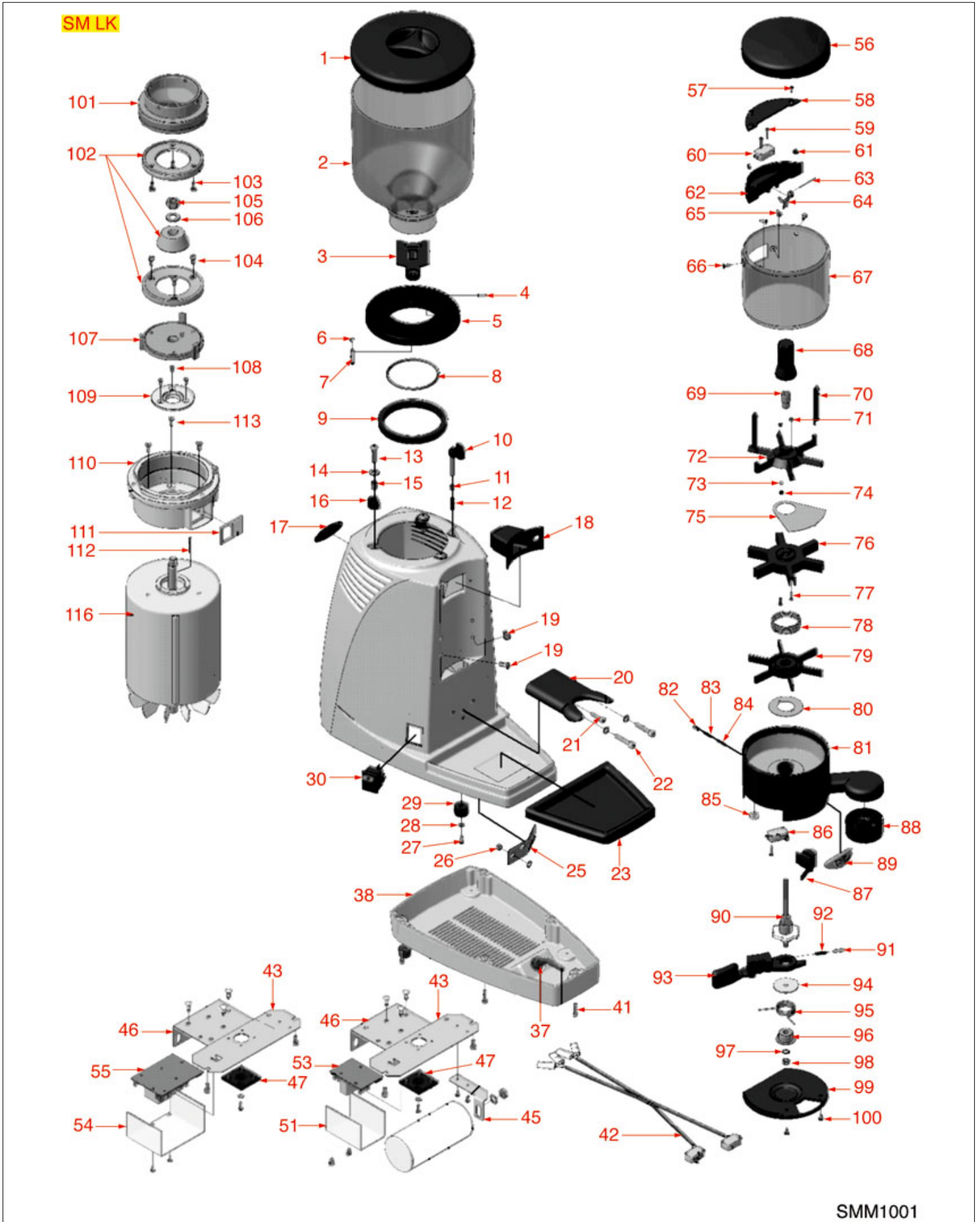
SAN MARCO



Position	LF code no.	Description
1	1080100	COFFEE HOPPER LID ø 175 mm
2	1080004	COFFEE HOPPER
3	1252034	COFFEE HOPPER CLOSING SHEET
6	1348817	CIRCLIP RADIAL ø 4 mm
8	1186763	O-RING 0171 EPDM
9	1186739	GASKET ø 98x80x9 mm
10	1252464	LOCKING PIN
11	1252456	BUSHING ø 7x6x5,5 mm
12	1250200	PIN SPRING ø 5.5x32 mm
18	1252027	GASKET FOR COFFEE OUTLET OPENING
20	1162018	FILTER HOLDER FORK
23	1260008	COFFEE COLLECTING TRAY
26	3528213	HEXAGONAL NUT MID M5
30	3319296	BLACK BIPOLAR SWITCH 16A 250V
53	1390016	PRINTED CIRCUIT BOARD 230V
56	1090028	DOSER LID ø 125 mm
58	1252031	MICROSWITCH BOX LID
59	5010319	SELF-TAPPING SCREW ø 2.9x16 mm
60	3240123	MICROSWITCH ROLD VRSRB1DA1
61	3528232	HEXAGONAL NUT MEDIUM SIZE M4
62	1252032	MICROSWITCH BOX
63	1240058	PIN FOR FLAP
64	1252038	OVERFLOW FLAP
67	1252023	DOSER CYLINDER
68	1241088	ADJUSTMENT KNOB
70	1343014	SCRAPER FOR DOSER
71	1348025	HEXAGONAL NUT M3
72	1343004	TOP STAR
73	1252039	LOCKING BALL
74	1250049	SPRING FOR STAR CLOSING BALL
75	1252036	DIVIDING SHEET
76	1343009	CENTRAL STAR
78	1250043	STAR SPRING
79	1343008	BOTTOM STAR
83	1250199	PIN SPRING ø 3.5x20 mm
86	3240406	MICROSWITCH SAIA-BURGESS
87	1252470	COUNTER FOR COFFEE GRINDER/DOSER
88	1385021	TAMPER ø 53,7 mm
88	1385022	TAMPER ø 56,5 mm
90	1252028	DOSER LEVER PIN
91	1324113	DOSER LEVER PIN ø 5x16 mm
92	1250045	PIN SPRING
93	1252026	DOSER LEVER
95	1250048	DOSER LEVER RETURN SPRING
98	1528030	MID HEXAGONAL NUT M6
102	1251134	CONICAL GRIND.BURRS SAN MARCO (PAIR) RH
103	1528049	CYLINDER HEAD SCREW M4x16
111	1186485	GASKET FOR COFFEE OUTLET OPENING



GRINDER ASSEMBLY SMLK



SMM1001

Positions without LF code no.: upon request



SAN MARCO



Position	LF code no.	Description
1	1080100	COFFEE HOPPER LID ø 175 mm
2	1080004	COFFEE HOPPER
3	1252034	COFFEE HOPPER CLOSING SHEET
6	1348817	CIRCLIP RADIAL ø 4 mm
8	1186763	O-RING 0171 EPDM
9	1186739	GASKET ø 98x80x9 mm
10	1252464	LOCKING PIN
11	1252456	BUSHING ø 7x6x5,5 mm
12	1250200	PIN SPRING ø 5.5x32 mm
18	1252027	GASKET FOR COFFEE OUTLET OPENING
20	1162018	FILTER HOLDER FORK
23	1260008	COFFEE COLLECTING TRAY
26	3528213	HEXAGONAL NUT MID M5
30	3319296	BLACK BIPOLAR SWITCH 16A 250V
53	1390016	PRINTED CIRCUIT BOARD 230V
56	1090028	DOSER LID ø 125 mm
58	1252031	MICROSWITCH BOX LID
59	5010319	SELF-TAPPING SCREW ø 2.9x16 mm
60	3240123	MICROSWITCH ROLD VRSRB1DA1
61	3528232	HEXAGONAL NUT MEDIUM SIZE M4
62	1252032	MICROSWITCH BOX
63	1240058	PIN FOR FLAP
64	1252038	OVERFLOW FLAP
67	1252023	DOSER CYLINDER
68	1241088	ADJUSTMENT KNOB
70	1343014	SCRAPER FOR DOSER
71	1348025	HEXAGONAL NUT M3
72	1343004	TOP STAR
73	1252039	LOCKING BALL
74	1250049	SPRING FOR STAR CLOSING BALL
75	1252036	DIVIDING SHEET
76	1343009	CENTRAL STAR
78	1250043	STAR SPRING
79	1343008	BOTTOM STAR
83	1250199	PIN SPRING ø 3.5x20 mm
86	3240406	MICROSWITCH SAIA-BURGESS
87	1252470	COUNTER FOR COFFEE GRINDER/DOSER
88	1385021	TAMPER ø 53,7 mm
88	1385022	TAMPER ø 56,5 mm
90	1252028	DOSER LEVER PIN
91	1324113	DOSER LEVER PIN ø 5x16 mm
92	1250045	PIN SPRING
93	1252026	DOSER LEVER
95	1250048	DOSER LEVER RETURN SPRING
98	1528030	MID HEXAGONAL NUT M6
102	1251012	HALF CONICAL GRIND.BURR S.MARCO(PAIR) RH
103	1528516	CYLINDER HEAD SCREW M5x12
104	1528516	CYLINDER HEAD SCREW M5x12
111	1186485	GASKET FOR COFFEE OUTLET OPENING



Suitable for:

SAN MARCO



Suitable for:

Brushes

1384023 BRUSH FOR CLEANING 50 mm



SAN MARCO

1384001 BRUSH FOR COFFEE SHOWER



SAN MARCO

1384002 BRUSH FOR MAINTENANCE



SAN MARCO

1384014 BRUSH FOR SHOWER RED



SAN MARCO

Coffee measuring spoons

1069001 PLASTIC MEASURING SPOON 20 ml



SAN MARCO 106017

1069002 STAINLESS STEEL MEASURING SPOON 20 ml



SAN MARCO

Containers for coffee

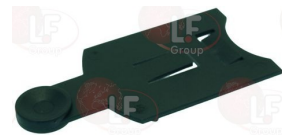
1080004 COFFEE HOPPER
for Grinder-dispenser (SAN MARCO) SMLK - SMTK
SM90 - SM92 - SM95 - SM97



SAN MARCO 106050

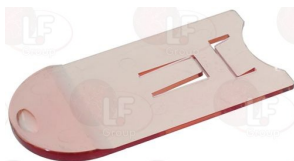
SAN MARCO 106166

1252034 COFFEE HOPPER CLOSING SHEET
for Grinder-dispenser (SAN MARCO) SMLK - SMTK
SM90 - SM92 - SM95 - SM97



SAN MARCO 106053

1252035 COFFEE HOPPER CLOSING SHEET
for Grinder-dispenser (SAN MARCO) SMFK - SMMK
SM91 - SM96



SAN MARCO 106203

1080100 COFFEE HOPPER LID ø 175 mm
for Grinder-dispenser (SAN MARCO) SMLK - SMTK
SM92 - SM97



SAN MARCO 106550

Suitable for:

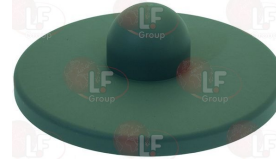
1080099 COFFEE HOPPER LID ø 180 mm
for Grinder-dispenser (SAN MARCO) SM90 - SM95



SAN MARCO 106051

Suitable for:

1252040 COFFEE HOPPER LID ø 225 mm
for Grinder-dispenser (SAN MARCO) SMFK - SMMK
SM91 - SM96



SAN MARCO 106200

SAN MARCO 106250

1080003 COFFEE HOPPER 4.6 L
for Grinder-dispenser (SAN MARCO) SMFK - SMMK
SM91 - SM96



SAN MARCO 106201

SAN MARCO 106201ML

1080005 COFFEE HOPPER 6 L
top external ø 220 mm
lower external ø 67 mm - overall height 231 mm
for Grinder-dispenser (SAN MARCO) SMFK - SMMK
SM91 - SM96



SAN MARCO 106202

SAN MARCO 106202ML

Counters

1252470 COUNTER FOR COFFEE GRINDER/DOSER
for dosing grinders with dosing lever on the right
for Grinder-dispenser (SAN MARCO) SMFK - SMMK
SM90 - SM91 - SM92 - SM95 - SM96



SAN MARCO 202175

Detergents

1092213 DETERGENT GRIND CLEANER 340 g
detergent for grinders cleaning
natural grain-based ingredients
100% biological
please see the attached documentation for use



SAN MARCO



Suitable for:

SAN MARCO



Suitable for:

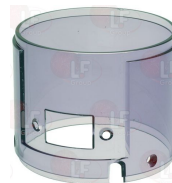
Dosers for coffee

1252456 BUSHING \varnothing 7x6x5,5 mm



SAN MARCO 206526

1252023 DOSER CYLINDER
for Grinder-dispenser (SAN MARCO) SMLK - SMTK
SM90 - SM92 - SM95 - SM97



SAN MARCO 106036

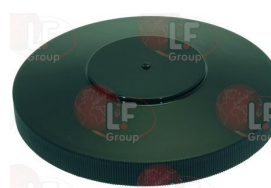
SAN MARCO 106211

1252029 DOSER LID
for Grinder-dispenser (SAN MARCO) SMFK - SMMK
SM91 - SM96



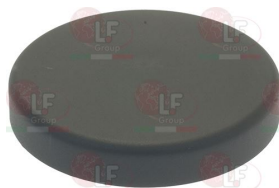
SAN MARCO 106260

1252022 DOSER LID \varnothing 120 mm
for Grinder-dispenser (SAN MARCO) SM90 - SM95



SAN MARCO 106044

1090028 DOSER LID \varnothing 125 mm
for Grinder-dispenser (SAN MARCO) SMLK - SMTK
SM92 - SM97



SAN MARCO 106551

1343068 DOSER SCRAPER



SAN MARCO 106269

1343014 SCRAPER FOR DOSER



SAN MARCO 106045

Electronic printed-circuit boards

1390016 PRINTED CIRCUIT BOARD 230V
dimensions 45x62 mm
for Grinder-dispenser (SAN MARCO) SMFK - SMLK
SMMK - SMTK - SM90 - SM91 - SM92 - SM95 - SM96
SM97



SAN MARCO 108508

SAN MARCO 108604



Feet

1313009 RECTANGULAR FOOT



SAN MARCO 106054

Forks for portafilter coffee grinder

1162018 FILTER HOLDER FORK for Grinder-dispenser (SAN MARCO) SMLK - SMTK SM92 - SM97



SAN MARCO 106553

1162019 FILTER HOLDER FORK for Grinder-dispenser (SAN MARCO) SM90 - SM95



SAN MARCO 106169

1251013 FILTER HOLDER FORK for Grinder-dispenser (SAN MARCO) SMFK - SMMK SM91 - SM96



SAN MARCO 106259

Gaskets and seals

1252042 BEARING GASKET



SAN MARCO 109102

1186739 GASKET \varnothing 98x80x9 mm



SAN MARCO 109204

1186485 GASKET FOR COFFEE OUTLET OPENING for Grinder-dispenser (SAN MARCO) SMFK - SMMK SM90 - SM91 - SM95 - SM96



SAN MARCO 109105

1252027 GASKET FOR COFFEE OUTLET OPENING



SAN MARCO 106040

SAN MARCO 106216

SAN MARCO 106266



Suitable for:

SAN MARCO



Suitable for:

Grinders

1251134 CONICAL GRIND.BURRS SAN MARCO (PAIR) RH
 external \varnothing 68/49 mm - internal \varnothing 40/13 mm
 thickness 25 mm - 4 mounting holes
 for Grinder-dispenser (SAN MARCO) SMFK - SMTK



SAN MARCO 202251

1251086 GRINDING BURRS SAN MARCO (PAIR) RH
 external \varnothing 64 mm - internal \varnothing 37 mm
 thickness 8.5 mm - 3 mounting holes
 for Grinder-dispenser (SAN MARCO) SM90 - SM91
 SM92



SAN MARCO 202174

1251087 GRINDING BURRS SAN MARCO (PAIR) RH
 external \varnothing 84 mm - internal \varnothing 45 mm
 thickness 9 mm - 3 mounting holes
 for Grinder-dispenser (SAN MARCO) SM95 - SM95A
 SM96 - SM97



SAN MARCO 202213

SAN MARCO 202254

1251012 HALF CONICAL GRIND.BURRS S.MARCO(PAIR) RH
 external \varnothing 84/45 mm - internal \varnothing 50/13 mm
 thickness 18/9 mm - 3 mounting holes
 for Grinder-dispenser (SAN MARCO) SMFK - SMLK
 SMMK - SM91 - SM96



SAN MARCO 202250

Grinding burr holders

1251005 GR.BURRS HOLDER UPPER RING NUT \varnothing 63 mm
 for Grinder-dispenser (SAN MARCO) SM90 - SM95



SAN MARCO 502039

1251010 GRINDING BURRS BOTTOM HOLDER
 for Grinder-dispenser (SAN MARCO) SM90 - SM91
 SM92



SAN MARCO 502040

1251133 GRINDING BURRS BOTTOM HOLDER \varnothing 84 mm
 for Grinder-dispenser (SAN MARCO) SM95 - SM96
 SM97



SAN MARCO 502060

1251143 GRINDING BURRS UPPER HOLDER
 for Grinder-dispenser (SAN MARCO) SM90 - SM91
 SM92



SAN MARCO 502100

Ironmongery (screws,nuts,washers)

1528023 COUNTERSUNK FLAT HEAD SCREWS M5x16
cross recessed - stainless steel
UNI 7688 - DIN 965 - ISO 7046



SAN MARCO

1528049 CYLINDER HEAD SCREW M4x16
stainless steel - with hexagon socket
UNI 5931 - DIN 912 - ISO 4762



SAN MARCO 204205

1528516 CYLINDER HEAD SCREW M5x12
stainless steel - slotted
UNI 6107 - DIN 84 - ISO 1207



SAN MARCO 204061

SAN MARCO 204116

1348025 HEXAGONAL NUT M3
brass - UNI 5587 - ISO 4033



SAN MARCO 203022

5010319 SELF-TAPPING SCREW \varnothing 2.9x16 mm
stainless steel - cylinder head
cross recessed - C type end
UNI 6954 - DIN 7981 - ISO 7049



SAN MARCO 204123

Knobs

1241088 ADJUSTMENT KNOB
for Grinder-dispenser (SAN MARCO) SMLK - SMTK
SM90 - SM92 - SM95 - SM97



SAN MARCO 300316

1252030 DOSE ADJUSTMENT KNOB



SAN MARCO 300276

1252043 DOSE ADJUSTMENT KNOB
for Grinder-dispenser (SAN MARCO) SMFK - SMMK
SM91 - SM96



SAN MARCO 300360



Suitable for:

SAN MARCO



Suitable for:

Levers

1252026 DOSER LEVER
for Grinder-dispenser (SAN MARCO) SMLK - SMTK
SM90 - SM92 - SM95 - SM97



SAN MARCO 300285

SAN MARCO 300355

Microswitches, mechanical

1240031 COMPLETE MAGNET



SAN MARCO 200064+202198

1252032 MICROSWITCH BOX



SAN MARCO 106049

SAN MARCO 106218

SAN MARCO 106268

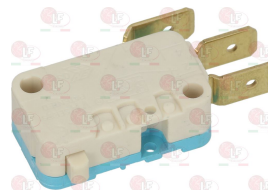
1252031 MICROSWITCH BOX LID



SAN MARCO 106047

SAN MARCO 106267

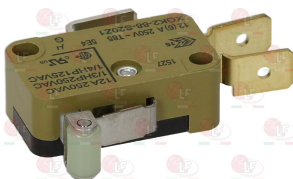
**3240123 MICROSWITCH ROLD VRSRB1DA1
16A 250V**



SAN MARCO 108230

SAN MARCO 108482

**3240406 MICROSWITCH SAIA-BURGESS
model XGK2-88-S20Z1
10(4)A 250V**



SAN MARCO 108231

1252038 OVERFLOW FLAP



SAN MARCO 205432

1240058 PIN FOR FLAP



SAN MARCO 206204



O-Ring and ORM gaskets

1186763 O-RING 0171 EPDM



SAN MARCO 109103

Pawls for coffee grinder dosers

1252028 DOSER LEVER PIN
for right lever
for Grinder-dispenser (SAN MARCO) SMFK - SMLK
SMMK - SMTK - SM90 - SM91 - SM92 - SM95 - SM96
SM97



SAN MARCO 300309

1225030 6-TEETH PAWL WITH KNOB



SAN MARCO 300267

SAN MARCO 300309+300308+...

Pins

1324113 DOSER LEVER PIN \varnothing 5x16 mm



SAN MARCO 300282

1252039 LOCKING BALL



SAN MARCO 300287

1252464 LOCKING PIN
for Grinder-dispenser (SAN MARCO) SMLK - SMTK
SM90 - SM92 - SM95 - SM97



SAN MARCO 106171

1252033 THREADED RING NUT



SAN MARCO 106141



Suitable for:

SAN MARCO



Suitable for:

Relays

3351007 POWER RELAY FINDER 55.32.8.230.0040
230V 50/60Hz
2 exchange contacts 10A
with to test push-button + mechanic gauge



SAN MARCO 108083

Springs

1250048 DOSER LEVER RETURN SPRING
for SANMARCO
SM90-SM91-SM92-SM95-SM96-SM97-SMMK
SMFK-SMLK-SMTK



SAN MARCO 300281

SAN MARCO 300306

1250044 MICROSWITCH SPRING



SAN MARCO 200066

1250059 MOTOR PIN SPRING
for CIMBALI MAGNUM
for FAEMA MD2000-MD3000



SAN MARCO 200063

1250045 PIN SPRING



SAN MARCO 300284

1250199 PIN SPRING \varnothing 3.5x20 mm



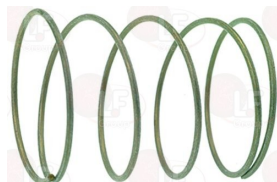
SAN MARCO 300265

1250200 PIN SPRING \varnothing 5.5x32 mm



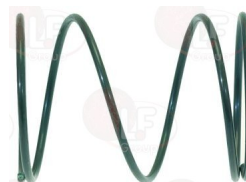
SAN MARCO 200061

1250049 SPRING FOR STAR CLOSING BALL



SAN MARCO 300288

1250043 STAR SPRING
for SANMARCO
SM90-SM91-SM92-SM95-SM96-SM97-SMMK
SMFK-SMLK-SMTK



SAN MARCO 300273



Stars and spare parts

1343003 BOTTOM STAR



SAN MARCO 300313

SAN MARCO 300363

1343008 BOTTOM STAR



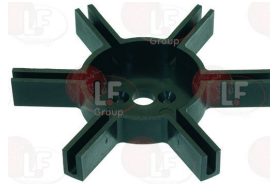
SAN MARCO 300271

1343005 CENTRAL STAR



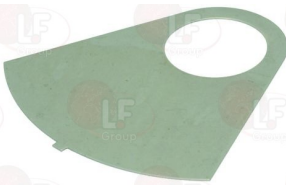
SAN MARCO 300362

1343009 CENTRAL STAR



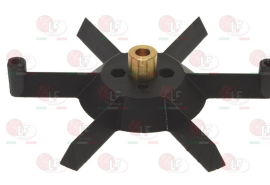
SAN MARCO 300272

1252036 DIVIDING SHEET



SAN MARCO 300274

1343004 TOP STAR



SAN MARCO 300275

1343007 TOP STAR



SAN MARCO 300311

SAN MARCO 300361

Switches

3319295 BIPOLAR SWITCH BLACK 16A 250V
 16(4)A 250V - max. temperature 120°C
 with indicator lamp with green led
 mounting hole 22x30 mm
 for Grinder-dispenser (SAN MARCO) SMFK - SMMK
 SM91 - SM95



SAN MARCO 108602

3319501 PUSH-BUTTON PROTECTION CAP
 external dimensions 29x36 mm
 for switches with mounting hole 22x30 mm



SAN MARCO 106070



Suitable for:

3319029 BIPOLAR SWITCH GREEN 16A 250V
16(4)A 250V - max. temperature 120°C
with indicator lamp - mounting hole 22x30 mm



SAN MARCO 108108V

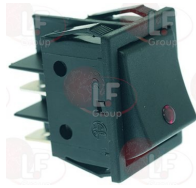
Suitable for:

3319501 PUSH-BUTTON PROTECTION CAP
external dimensions 29x36 mm
for switches with mounting hole 22x30 mm



SAN MARCO 106070

3319296 BLACK BIPOLAR SWITCH 16A 250V
with red led indicator light
max temperature 120°C
mounting hole 22x30 mm
for Grinder-dispenser (SAN MARCO) SMLK - SMTK
SM92 - SM97



SAN MARCO 108539

3319501 PUSH-BUTTON PROTECTION CAP
external dimensions 29x36 mm
for switches with mounting hole 22x30 mm



SAN MARCO 106070

Tampers for coffee

1385018 COFFEE TAMPER ø 56.5 mm



SAN MARCO 106264

1385002 NYLON COFFEE TAMPER ø 50/57 mm



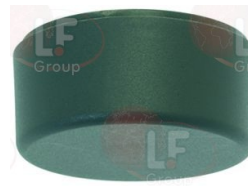
SAN MARCO

1385000 NYLON TAMPER ø 50/52 mm



SAN MARCO 106001

1385008 TAMPER ø 53



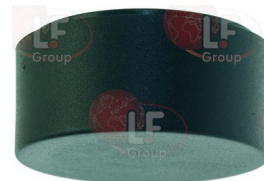
SAN MARCO 106263

1385021 TAMPER ø 53,7 mm
for Grinder-dispenser (SAN MARCO) SMLK - SMTK
SM90 - SM92 - SM95 - SM97



SAN MARCO 106084

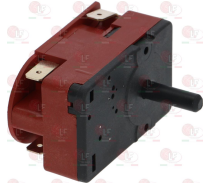
1385022 TAMPER ø 56,5 mm
for Grinder-dispenser (SAN MARCO) SMLK - SMTK
SM90 - SM92 - SM95 - SM97



SAN MARCO 106085

Timers

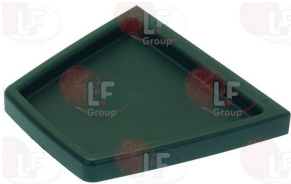
- 3446151 TIMER 5 MINUTES C20**
manually set mechanical timer
manually set cycle 5 minutes
2 poles with contact capacity 16(3)A 250V
max temperature 125°C
D-shaped pin \varnothing 6x4.6 mm
for Grinder-dispenser (SAN MARCO) SM90 - SM95



SAN MARCO 108268

Trays

- 1260008 COFFEE COLLECTING TRAY**
for Grinder-dispenser (SAN MARCO) SMLK - SMTK
SM92 - SM97



SAN MARCO 106554

- 1260005 COFFEE COLLECTION TRAY**
for Grinder-dispenser (SAN MARCO) SMFK - SMMK
SM91 - SM96



SAN MARCO 106258

- 1260009 COFFEE COLLECTION TRAY**
for Grinder-dispenser (SAN MARCO) SM90 - SM95



SAN MARCO 106069

SAN MARCO 106167

The data herewith contained may change without notice and LF SpA cannot be held responsible for possible errors stated or resulting by the use of this document. All rights reserved. No part of this publication may be reproduced without written permission by LF SpA.



Distributing Components, Spare Parts & Accessories in original quality worldwide

-
- LF SpA HEADQUARTERS**
via Voltri, 80 - 47522 Cesena (FC) ITALY
Tel. +39 0547 34 11 11 - Fax +39 0547 34 11 10
www.lfircambi724.it - info@lfircambi.it
Export Dept. Tel. +39 0547 34 11 50 - Fax +39 0547 34 11 55
www.lfspareparts724.com - export@lfspareparts.com
- LF SpA HOUSEHOLD COMPONENTS DIVISION**
Via Padriciano, 99 - AREA Science Park - 34149 Trieste (TS) ITALY
Tel. +39 0547 34 12 42 - Fax +39 0547 34 12 48
www.lfspareparts724.com - info@lfspareparts.com
- EPGC Sas FRANCE**
13, Rue des Forts - 59960 Neuville en Ferrain
Tel. +33 (0)3 20 25 06 21 - Fax +33 (0)3 20 25 34 12
www.epgc.com - epgc@epgc.com
- LF GmbH GERMANY**
Junkersstrasse, 3 - D-82178 Puchheim - München
Tel. +49 89 89 45 78 66 - Fax +49 89 89 45 78 88
www.lfersatzteile724.de - info@lfersatzteile.de
- LF China REPUBLIC OF CHINA**
Room 403, No.2, Huadu Mansion, Lane 422, Huanghua Rd.
Minhang Dist. - 201103 Shanghai
Tel. +86 (0)21 33 53 66 31 - Fax +86 (0)21 33 53 66 32
www.lfspareparts724.com - china@lfspareparts.com
- OOO LF RUSSIAN FEDERATION**
Ul. Anatoliya Zhivova, 8 - office 1 - 123100 Moscow
Tel./Fax +7 495 725 26 53
www.lfspareparts724.ru - info@lfspareparts.ru
- LF Repuestos Horeca S.L.U. SPAIN**
Poligono Industrial Carpetania - C/Miguel Faraday, 8 - 28906 Getafe
Tel. +34 91 477 91 00 - Fax +34 91 477 90 81
www.lfrepuestos-horeca724.es - info@lfrepuestos.es
- LF Scandinavia Aps - LF Spareparts S.p.A. DENMARK**
Nupark, 51 - 7500 Holstebro
Tel. +45 70 70 77 33
www.lfspareparts724.dk - denmark@lfspareparts.dk
- LF SpA Cesena (IT) Swiss Branch Steinhausen SWITZERLAND**
Sennweidstrasse, 45 - CH-6312 Steinhausen
Tel. +41 (0)41 760 15 80/1 - Fax +41 (0)41 760 15 85
www.lfersatzteile724.ch - info@lfersatzteile.ch
- LF Spare Parts Ltd. UNITED KINGDOM**
A10a Lakeside Business Park, Broadway Lane
South Cerney, Gloucestershire GL7 5XL
Tel. +44 (0)1285 86 16 25 - Fax +44 (0)1285 86 39 49
www.lfspareparts724.co.uk - info@lfspareparts.co.uk
- LF Central Est Europe S.r.o. CZECH REPUBLIC**
Antala Staska 1859/34
14000 Praha 4 - KRC
Tel. +420 730 156 910
www.lfspareparts724.cz - info@lfspareparts.cz
- LF SPARE PARTS INC. USA**
Legal address:
155 Office Plaza Dr - Suite A - Tallahassee, FL 32301
Business/Mailing address:
1100 South Tower, 225 Peachtree St., N.E. - Atlanta, GA 30303, USA
Tel. +1-404-525-2600 - Fax +1-404-586-3528
www.lfspareparts724.us - info@lfspareparts.us
Tel. West Coast and Midwest: 206-349-1525 Sauro
Tel. East Coast and the Caribbean: 786-817-1764 Luis
-
- AUSTRALIA AND NEW ZEALAND**
www.lfspareparts724.com
andrea.calvio@lfspareparts.com
- AUSTRIA**
www.lfersatzteile724.at
info@lfersatzteile.at
- BALKAN COUNTRIES**
www.lfspareparts724.com
matija.ramov@lfspareparts.com
- BALTIC COUNTRIES**
www.lfspareparts724.com
inara.silina@lfspareparts.com
- LATIN AMERICA AND THE CARRIBEANS**
www.lfrepuestos-horeca724.es
export@lfrepuestos.es
- POLAND**
www.lfspareparts724.pl
info@lfspareparts.pl
- SOUTH KOREA**
www.lfspareparts724.com
fabio.doni@lfspareparts.com
- TURKEY**
www.lfyedekparca724.com
export@lfspareparts.com