



Spare parts for the professional sector: Coffee grinders



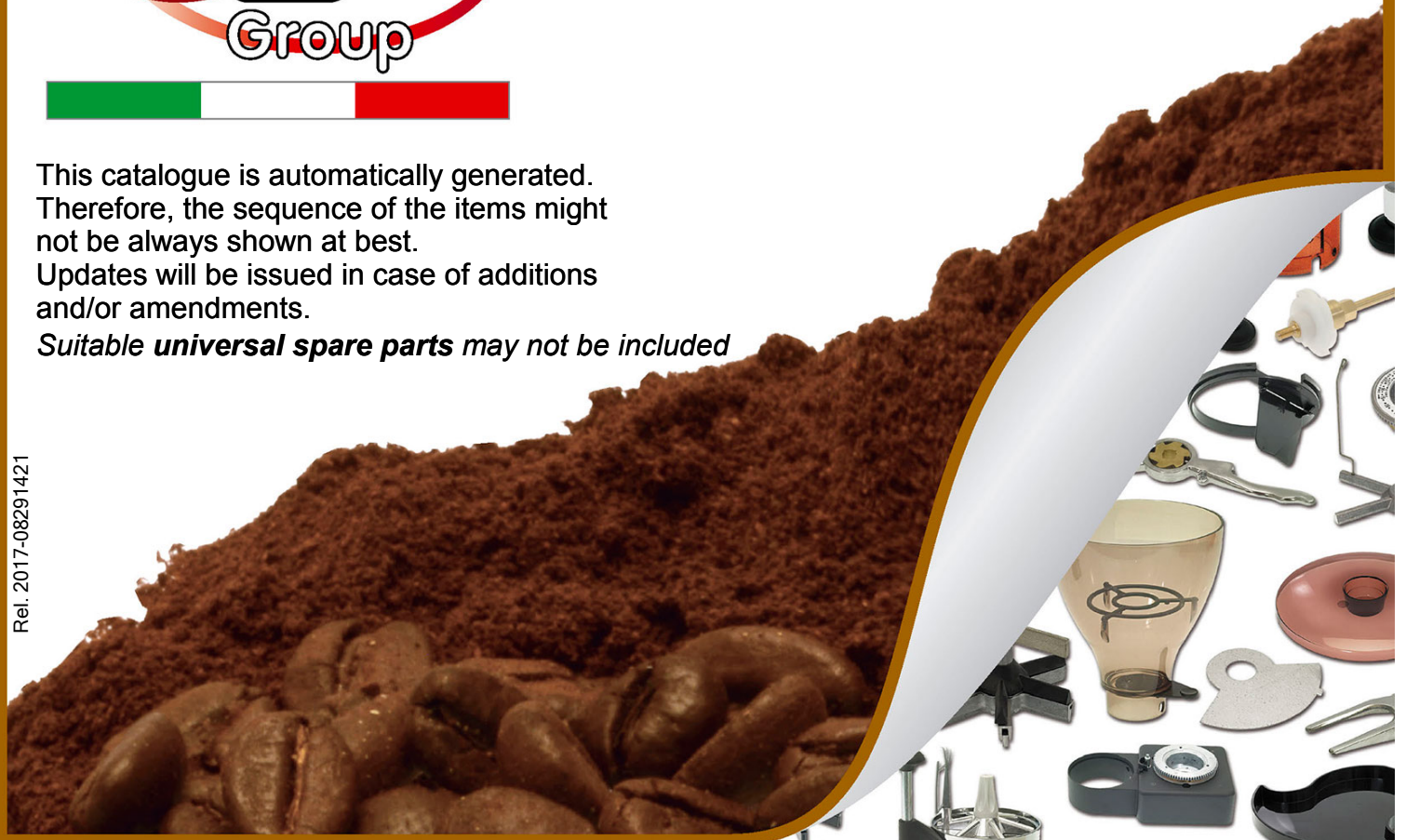
Suitable for:

RANCILIO



This catalogue is automatically generated.
Therefore, the sequence of the items might
not be always shown at best.
Updates will be issued in case of additions
and/or amendments.

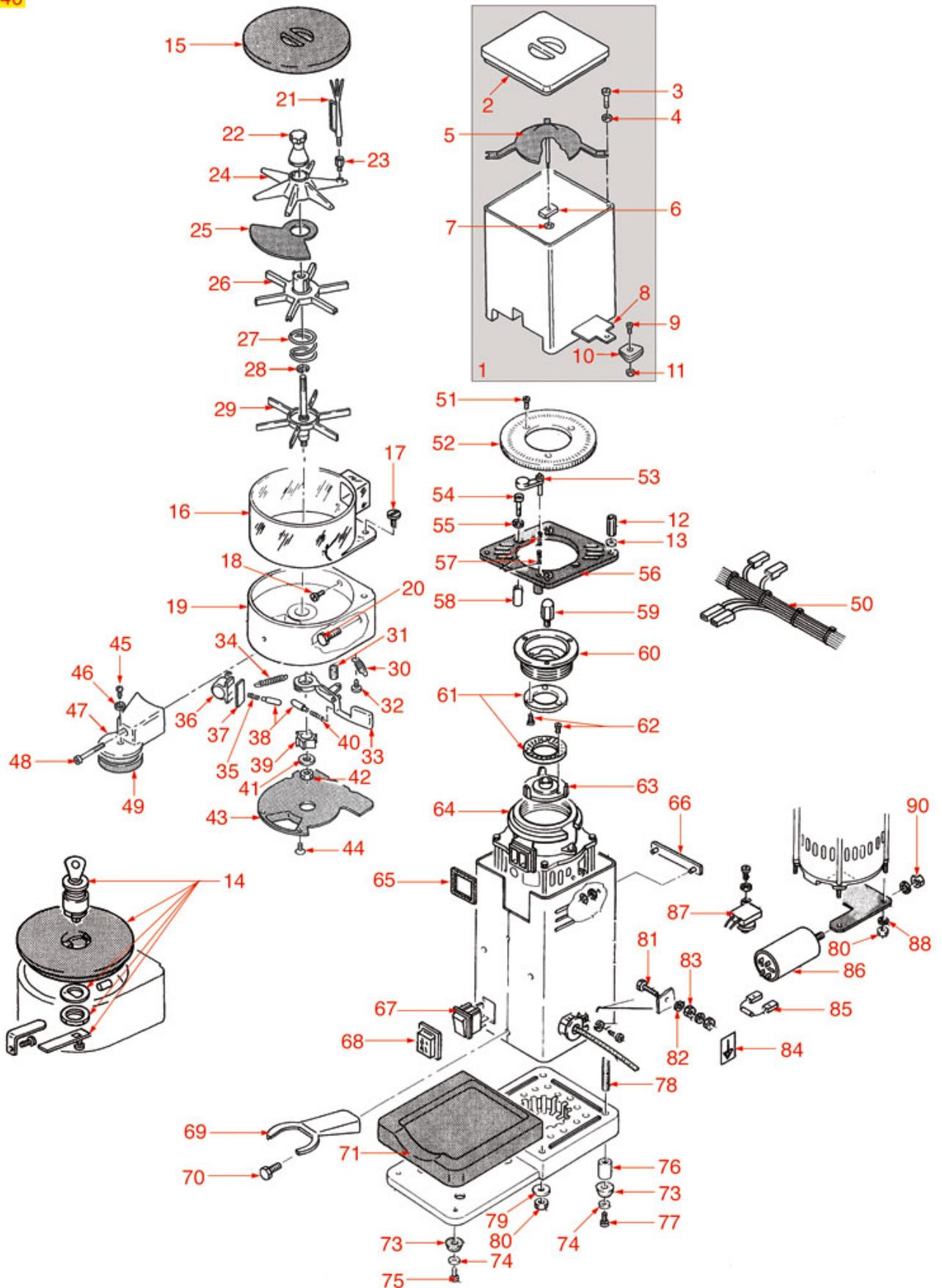
Suitable universal spare parts may not be included





GRINDER ASSEMBLY MD40

MD40



RAMC01



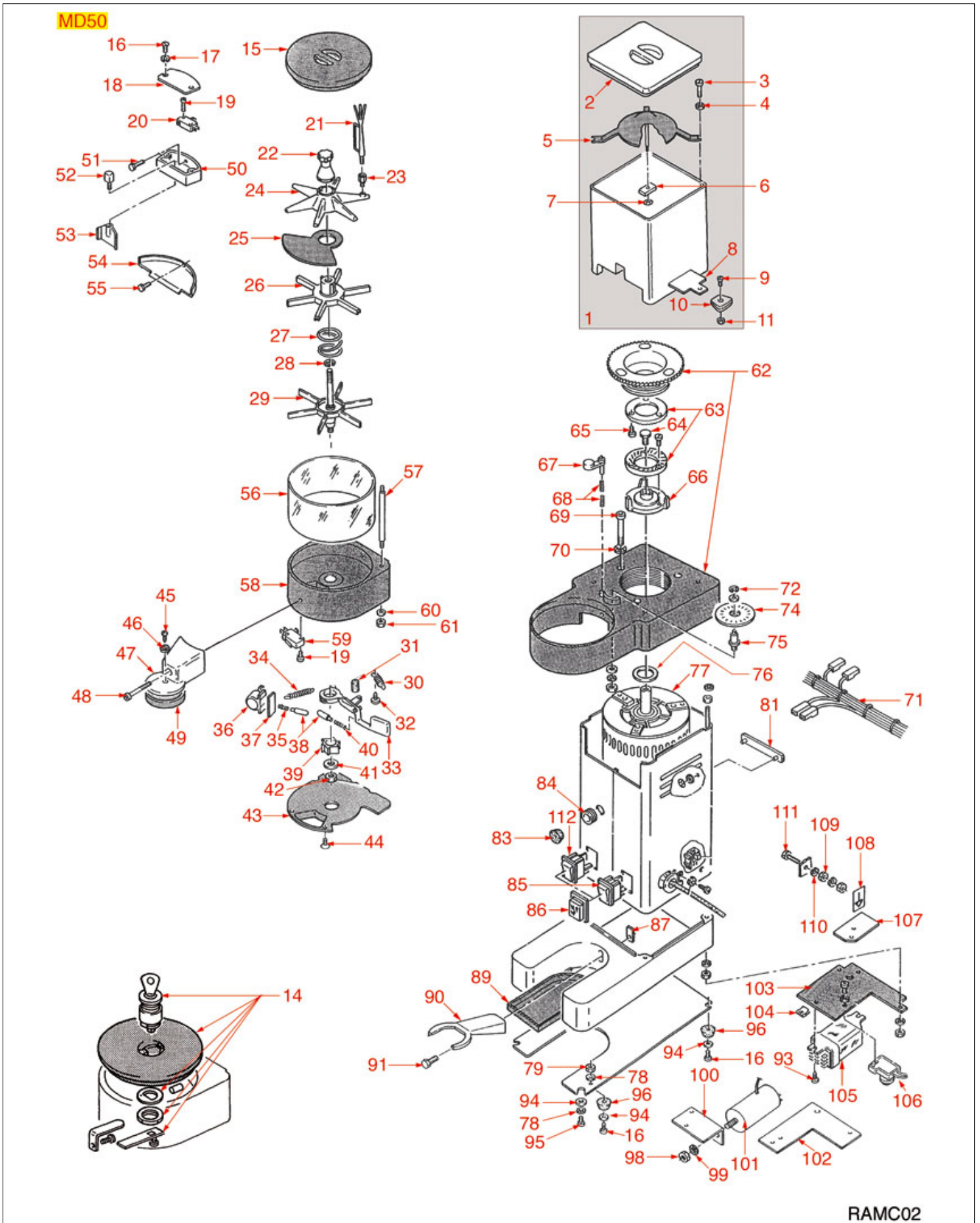
RANCILIO



Position	LF code no.	Description
1	1080901	COMPLETE COFFEE HOPPER
2	1252523	COFFEE HOPPER LID
4	1348814	TOOTHED WASHER EXT. M4
8	1252505	COFFEE HOPPER CLOSING SHEET
10	1241906	FILTER HANDLE
15	1252525	DOSER LID
17	1528516	CYLINDER HEAD SCREW M5x12
21	1252507	DOSER SCRAPER
24	1343011	UPPER STAR MD
25	1252511	CLOSING SECTOR MD
26	1343012	MIDDLE STAR MD
27	1250906	STAR SPRING
29	1343013	LOWER STAR MD WITH PIN
30	1250810	SPRING \varnothing 10x31/45 mm LEVER RECALL
33	1225901	DISPENSER LEVER MD
34	1250907	STROKE COUNTER SPRING MD
36	1252514	COUNTER FOR COFFEE GRINDER
38	1252512	DOSER PIN MD
39	1252502	PAWL FOR COFFEE GRINDER MD
41	1186504	WASHER FLAT M10
43	1252501	DOSER BOTTOM LID
44	1528001	COUNTERSUNK FLAT HEAD SCREWS M4x10
45	1528100	CYLINDER HEAD SCREW M4x12
53	1252527	ADJUSTMENT RING RETAINER MD40 MD50
57	1250908	MD PIN SPRING
61	1251109	GRINDING BURRS RANCILIO (PAIR) LEFT
62	3528291	CROSS HEAD FLUSH SCREW M4x8
67	1319215	BLACK BIPOLAR SWITCH 16A 250V
68	3319501	PUSH-BUTTON PROTECTION CAP
70	3528111	HEXAGONAL HEAD SCREW M6x10
71	1252429	COFFEE COLLECTION TRAY
73	1313901	RUBBER FOOT MD80
75	1528100	CYLINDER HEAD SCREW M4x12
80	1348813	HEXAGONAL NUT M4 MEDIUM
83	1528030	MID HEXAGONAL NUT M6
88	1348814	TOOTHED WASHER EXT. M4
90	1241513	BLIND HEXAGONAL NUT M8 UNI 5721



GRINDER ASSEMBLY MD50



RAMC02

Positions without LF code no.: upon request



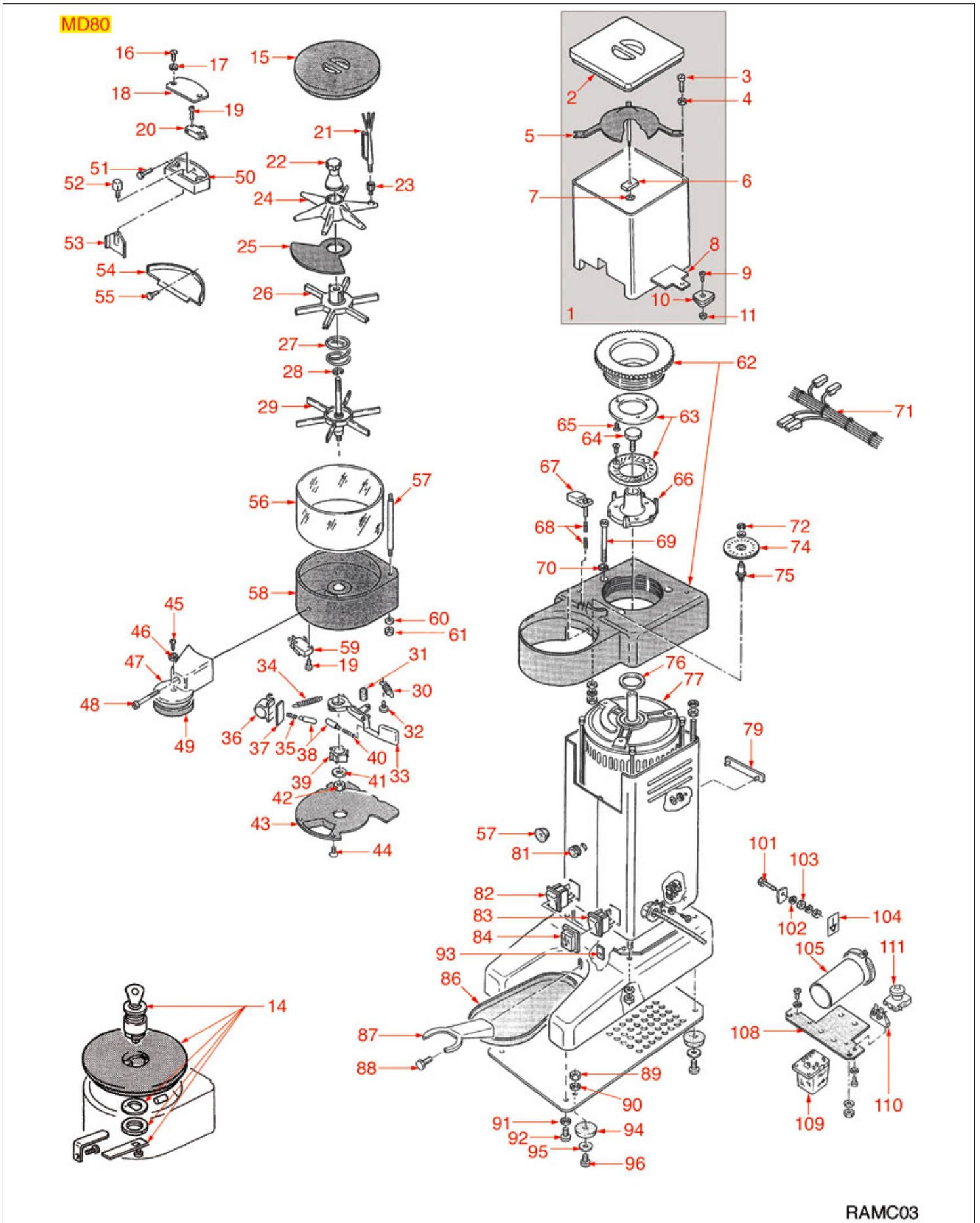
RANCILIO



Position	LF code no.	Description
1	1080902	COMPLETE COFFEE HOPPER
2	1252524	COFFEE HOPPER LID
4	1348814	TOOTHED WASHER EXT. M4
8	1252504	COFFEE HOPPER CLOSING SHEET
10	1241906	FILTER HANDLE
15	1252525	DOSER LID
16	1528100	CYLINDER HEAD SCREW M4x12
20	1240847	MICROSWITCH OMRON VX-5-1A2
21	1252507	DOSER SCRAPER
22	1252510	DOSING KNOB MD50 MD80
24	1343011	UPPER STAR MD
25	1252511	CLOSING SECTOR MD
26	1343012	MIDDLE STAR MD
27	1250906	STAR SPRING
29	1343013	LOWER STAR MD WITH PIN
30	1250810	SPRING \varnothing 10x31/45 mm LEVER RECALL
33	1225901	DISPENSER LEVER MD
34	1250907	STROKE COUNTER SPRING MD
36	1252514	COUNTER FOR COFFEE GRINDER
38	1252512	DOSER PIN MD
39	1252502	PAWL FOR COFFEE GRINDER MD
41	1186504	WASHER FLAT M10
43	1252501	DOSER BOTTOM LID
44	1528001	COUNTERSUNK FLAT HEAD SCREWS M4x10
45	1528100	CYLINDER HEAD SCREW M4x12
51	1184867	HEXAGON HEAD SCREW M4x16
54	1252515	HEAD PROTECTOR MD50
56	1252516	DOSER CYLINDER
58	1090906	DISPENSER BODY
59	1240846	MICROSWITCH ELECTRICA NR115K5
61	1528030	MID HEXAGONAL NUT M6
62	1252526	GRINDER/DOSER HEAD MD 50 WITH OUTLET HOL
63	1251071	GRINDING BURRS RANCILIO-VFA (PAIR) LEFT
65	3528291	CROSS HEAD FLUSH SCREW M4x8
67	1252527	ADJUSTMENT RING RETAINER MD40 MD50
68	1250908	MD PIN SPRING
72	1348817	CIRCLIP RADIAL \varnothing 4 mm
74	1350901	GRINDING ADJUSTMENT RING MD
75	1324903	GRINDING ADJUSTMENT PIN
77	1240907	MOTOR MD 50 220V ASSEMBLY
78	1348814	TOOTHED WASHER EXT. M4
79	1348813	HEXAGONAL NUT M4 MEDIUM
85	1319916	ORANGE BIPOLAR PUSH-BUTTON 16A 250V
86	3319501	PUSH-BUTTON PROTECTION CAP
89	1252517	COFFEE COLLECTION TRAY
90	1162901	FILTER HOLDER FORK
91	3528111	HEXAGONAL HEAD SCREW M6x10
96	1313901	RUBBER FOOT MD80
98	1241513	BLIND HEXAGONAL NUT M8 UNI 5721
105	3351605	RELAY POWER FINDER 60.63.8.230.0000
106	1252529	CIRCUIT INTERRUPTER MD50 4211 - NEW
109	1528030	MID HEXAGONAL NUT M6
112	1319215	BLACK BIPOLAR SWITCH 16A 250V



GRINDER ASSEMBLY MD80





RANCILIO



Position	LF code no.	Description
1	1080903	COMPLETE COFFEE HOPPER
2	1252503	COFFEE HOPPER LID
4	1348814	TOOTHED WASHER EXT. M4
8	1252504	COFFEE HOPPER CLOSING SHEET
10	1241906	FILTER HANDLE
15	1252525	DOSER LID
16	1528100	CYLINDER HEAD SCREW M4x12
20	1240847	MICROSWITCH OMRON VX-5-1A2
21	1252507	DOSER SCRAPER
22	1252510	DOSING KNOB MD50 MD80
24	1343011	UPPER STAR MD
25	1252511	CLOSING SECTOR MD
26	1343012	MIDDLE STAR MD
27	1250906	STAR SPRING
29	1343013	LOWER STAR MD WITH PIN
30	1250810	SPRING \varnothing 10x31/45 mm LEVER RECALL
33	1225901	DISPENSER LEVER MD
34	1250907	STROKE COUNTER SPRING MD
36	1252514	COUNTER FOR COFFEE GRINDER
38	1252512	DOSER PIN MD
39	1252502	PAWL FOR COFFEE GRINDER MD
41	1186504	WASHER FLAT M10
43	1252501	DOSER BOTTOM LID
44	1528001	COUNTERSUNK FLAT HEAD SCREWS M4x10
45	1528100	CYLINDER HEAD SCREW M4x12
51	1184867	HEXAGON HEAD SCREW M4x16
56	1252519	DOSER CYLINDER
58	1090906	DISPENSER BODY
59	1240846	MICROSWITCH ELECTRICA NR115K5
61	1528030	MID HEXAGONAL NUT M6
63	1251072	GRINDING BURRS RANCILIO (PAIR) LEFT
67	1252430	RING NUT LOCKING PIN
72	1348817	CIRCLIP RADIAL \varnothing 4 mm
74	1350901	GRINDING ADJUSTMENT RING MD
75	1324903	GRINDING ADJUSTMENT PIN
82	1319215	BLACK BIPOLAR SWITCH 16A 250V
83	1319916	ORANGE BIPOLAR PUSH-BUTTON 16A 250V
84	3319501	PUSH-BUTTON PROTECTION CAP
86	1252520	COFFEE COLLECTION TRAY
87	1162901	FILTER HOLDER FORK
88	3528111	HEXAGONAL HEAD SCREW M6x10
91	1348814	TOOTHED WASHER EXT. M4
94	1313901	RUBBER FOOT MD80
103	1528030	MID HEXAGONAL NUT M6
110	1252804	RELAY BASE



Suitable for:

RANCILIO



Suitable for:

Adjustement rings for coffee grinder

1350901 GRINDING ADJUSTMENT RING MD
for Grinder-dispenser (RANCILIO) MD50 - MD80



RANCILIO 38120065

Bearings

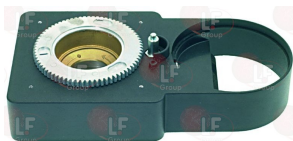
1063911 BEARING 6202 ZZ NSK
external \varnothing 35 mm-internal \varnothing 15 mm-thickness 11 mm



RANCILIO 44015010

Bodies

1252526 GRINDER/DOSER HEAD MD 50 WITH OUTLET HOL



RANCILIO 14701011

Brushes

1384023 BRUSH FOR CLEANING 50 mm



RANCILIO

1384001 BRUSH FOR COFFEE SHOWER



RANCILIO

RANCILIO 38120068

1384002 BRUSH FOR MAINTENANCE



RANCILIO

1384014 BRUSH FOR SHOWER RED

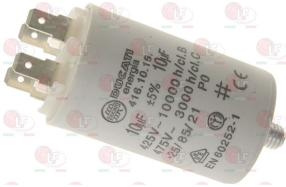


RANCILIO



Capacitors, electrical

3068016 CAPACITOR DUCATI ENERGIA 10 μ F
 450V 50/60Hz
 operating temperature -25 + 85°C
 lead connector 6.35x0.8 mm
 \varnothing 36xh58 mm



RANCILIO 3402003

RANCILIO 6520602

3068019 CAPACITOR DUCATI ENERGIA 12,5 μ F
 450V 50/60Hz
 operating temperature -25 + 85°C
 lead connection 6.35x0.8 mm
 \varnothing 36xh70 mm



RANCILIO 3402004

3068024 CAPACITOR DUCATI ENERGIA 16 μ F
 450V 50/60Hz
 operating temperature -25 + 85°C
 lead connector 6.35x0.8 mm
 \varnothing 36xh70 mm



RANCILIO 3402016

RANCILIO 6520604

3068003 CAPACITOR DUCATI ENERGIA 3 μ F
 450V 50/60Hz
 operating temperature -25 + 85°C
 lead connection 6.35x0.8 mm
 \varnothing 28xh55 mm



RANCILIO 6520610

3068008 CAPACITOR DUCATI ENERGIA 5 μ F
 450V 50/60Hz
 operating temperature -25 + 85°C
 lead connection 6.35x0.8 mm
 \varnothing 28xh55 mm



RANCILIO 6520610

3068010 CAPACITOR DUCATI ENERGIA 6,3 μ F
 450V 50/60Hz
 operating temperature -25 + 85°C
 lead connection 6.35x0.8 mm
 \varnothing 32xh55 mm



RANCILIO 6520609

3068014 CAPACITOR DUCATI ENERGIA 8 μ F
 450V 50/60Hz
 operating temperature -25 + 85°C
 lead connection 6.35x0.8 mm
 \varnothing 32xh55 mm



RANCILIO 3402020

3068080 CAPACITOR ELECTRICAL 10 μ F
 450V 50/60Hz - \varnothing 30xh71 mm



RANCILIO 3402003

RANCILIO 6520602



Suitable for:

3068081 CAPACITOR ELECTRICAL 12.5 μ F
450V 50/60Hz - \varnothing 35xh71 mm



RANCILIO 3402004

Suitable for:

3068083 CAPACITOR ELECTRICAL 16 μ F
450V 50/60Hz - \varnothing 35xh71 mm



RANCILIO 3402016

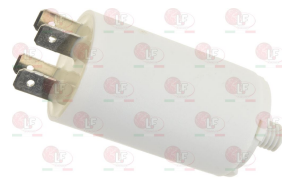
RANCILIO 6520604

3068096 CAPACITOR ELECTRICAL 5 μ F
450V 50/60Hz - \varnothing 30xh51 mm



RANCILIO 6520610

3068097 CAPACITOR ELECTRICAL 6.3 μ F
450V 50/60Hz - \varnothing 30xh51 mm



RANCILIO 6520609

3068079 CAPACITOR ELECTRICAL 8 μ F
450V 50/60Hz - \varnothing 30xh71 mm



RANCILIO 3402002

Circlips

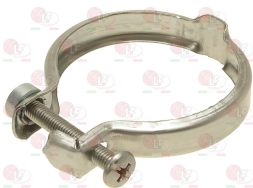
1348817 CIRCLIP RADIAL \varnothing 4 mm
stainless steel- outer \varnothing 9.3 mm - thickness 0.7 mm
UNI 7434 - DIN 6799



RANCILIO 3751040

Clamps

1168011 STAINLESS STEEL CLAMP FOR FLANGE PUMP



RANCILIO



Coffee measuring spoons

1069001 PLASTIC MEASURING SPOON 20 ml



RANCILIO 38120004

1069002 STAINLESS STEEL MEASURING SPOON 20 ml



RANCILIO

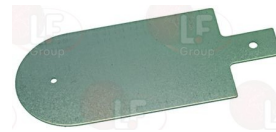
Containers for coffee

1252504 COFFEE HOPPER CLOSING SHEET
for Grinder-dispenser (RANCILIO) MD50 - MD80



RANCILIO 32329015

1252505 COFFEE HOPPER CLOSING SHEET
for Grinder-dispenser (RANCILIO) MD40



RANCILIO 32329038

1252503 COFFEE HOPPER LID
for Grinder-dispenser (RANCILIO) MD80



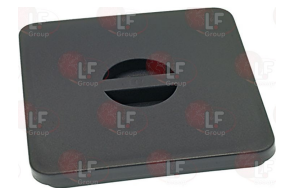
RANCILIO 38120025

1252523 COFFEE HOPPER LID
for Grinder-dispenser (RANCILIO) MD40



RANCILIO 38120040

1252524 COFFEE HOPPER LID
for Grinder-dispenser (RANCILIO) MD50



RANCILIO 38120012

1080901 COMPLETE COFFEE HOPPER
dimensions 124x124xh180 mm
for Grinder-dispenser (RANCILIO) MD40



RANCILIO 14030005

1080902 COMPLETE COFFEE HOPPER
dimensions 150x150xh220 mm
for Grinder-dispenser (RANCILIO) MD50



RANCILIO 14030001

1080903 COMPLETE COFFEE HOPPER
dimensions 162x162xh250 mm
for Grinder-dispenser (RANCILIO) MD80



RANCILIO 14030011



Suitable for:

RANCILIO



Suitable for:

Counters

1252514 COUNTER FOR COFFEE GRINDER
for Grinder-dispenser (RANCILIO) MD40 - MD50
MD80



RANCILIO 69000085

Detergents

1092213 DETERGENT GRIND CLEANER 340 g
detergent for grinders cleaning
natural grain-based ingredients
100% biological
please see the attached documentation for use



RANCILIO

Dosers for coffee

1090906 DISPENSER BODY
for Grinder-dispenser (RANCILIO) MD50 - MD80



RANCILIO 21204001

1252501 DOSER BOTTOM LID
for RANCILIO MD40-MD50-MD80



RANCILIO 22206501

1252516 DOSER CYLINDER
for Grinder-dispenser (RANCILIO) MD50



RANCILIO 38125008

RANCILIO 38125008A

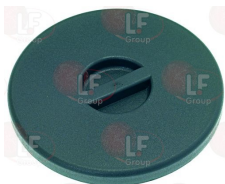
1252519 DOSER CYLINDER
for Grinder-dispenser (RANCILIO) MD80



RANCILIO 38125009

RANCILIO 38125009A

1252525 DOSER LID
for Grinder-dispenser (RANCILIO) MD40 - MD50
MD80



RANCILIO 38120024

1252507 DOSER SCRAPER
for Grinder-dispenser (RANCILIO) MD40 - MD50
MD80



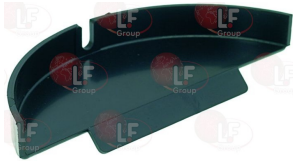
RANCILIO 38123002

RANCILIO 38123038

Suitable for:

Suitable for:

1252515 HEAD PROTECTOR MD50



RANCILIO 38120063

Feet

1313901 RUBBER FOOT MD80



RANCILIO 36310003

RANCILIO 36310005

Forks for portafilter coffee grinder

1162901 FILTER HOLDER FORK for Grinder-dispenser (RANCILIO) MD50 - MD80



RANCILIO 21210501

Grinders

1251072 GRINDING BURRS RANCILIO (PAIR) LEFT external \varnothing 75 mm - internal \varnothing 43 mm thickness 10.5 mm - 3 mounting holes for Grinder-dispenser (RANCILIO) MD80



RANCILIO 69000034

1251109 GRINDING BURRS RANCILIO (PAIR) LEFT external \varnothing 50 mm - internal \varnothing 31 mm height 8 mm - 3 mounting holes for Grinder-dispenser (RANCILIO) MD40 - ROCKY



RANCILIO 69000032

1251071 GRINDING BURRS RANCILIO-VFA (PAIR) LEFT external \varnothing 64 mm - internal \varnothing 38 mm thickness 9 mm - 3 mounting holes for Grinder-dispenser (RANCILIO) MD50



RANCILIO 69000033



Suitable for:

RANCILIO



Suitable for:

Indicator lights

3221095 ORANGE INDICATOR LAMP 230V
head \varnothing 13.5 mm - hole \varnothing 10 mm - 120°C
universal application



RANCILIO 65216018

Ironmongery (screws,nuts,washers)

1241513 BLIND HEXAGONAL NUT M8 UNI 5721
stainless steel - height 16 mm UNI 5721 - DIN 1587



RANCILIO 37320800

1528001 COUNTERSUNK FLAT HEAD SCREWS M4x10
slotted - stainless steel
UNI 6109 - DIN 963 - ISO 2009



RANCILIO 37184012

1528023 COUNTERSUNK FLAT HEAD SCREWS M5x16
cross recessed - stainless steel
UNI 7688 - DIN 965 - ISO 7046



RANCILIO 37060513

3528291 CROSS HEAD FLUSH SCREW M4x8
cross-shaped - st./steel
UNI 7688 - DIN 965 - ISO 7046



RANCILIO 37030407

1528100 CYLINDER HEAD SCREW M4x12
stainless steel - cross cut
UNI 7687 - DIN 7985 - ISO 7045



RANCILIO 37113913

RANCILIO 37174012

1184012 CYLINDER HEAD SCREW M5x10
stainless steel - with hexagon socket
UNI 9327 - DIN 7984



RANCILIO 37040510

1528516 CYLINDER HEAD SCREW M5x12
stainless steel - slotted
UNI 6107 - DIN 84 - ISO 1207



RANCILIO 25124007

RANCILIO 37030511

RANCILIO 37030513

1528012 CYLINDER HEAD SCREW M5x14
stainless steel - cross recessed
UNI 7687 - DIN 7985 - ISO 7045



RANCILIO 37030518

Suitable for:

1184867 **HEXAGON HEAD SCREW M4x16**
stainless steel - UNI 5739 - DIN 933 - ISO 4017



RANCILIO 37040414

Suitable for:

3528143 **HEXAGON NUT M5 BLIND**
stainless steel - altezza 11 mm - UNI 5721 - DIN 1



RANCILIO 37370501

3528111 **HEXAGONAL HEAD SCREW M6x10**
st./steel - UNI 5739 - DIN 933 - ISO 4017



RANCILIO 37040610

3528112 **HEXAGONAL HEAD SCREW M6x16**
st./steel - UNI 5739 - DIN 933 - ISO 4017



RANCILIO 37040615

3528213 **HEXAGONAL NUT MID M5**
st./steel - UNI 5588 - DIN 934 - ISO 4032



RANCILIO 37320501

1348813 **HEXAGONAL NUT M4 MEDIUM**
stainless steel - UNI 5588 - DIN 934 - ISO 4032



RANCILIO 37310400

1528621 **HEXAGONAL NUT M8 SHORT M8**
stainless steel - UNI 5589 - DIN 936 - ISO 4035



RANCILIO 37330810

1528030 **MID HEXAGONAL NUT M6**
stainless steel - UNI 5588 - DIN 934 - ISO 4032



RANCILIO 37320600

RANCILIO 37320601

1348814 **TOOTHED WASHER EXT. M4**
internal/external \varnothing 4.3/8 mm - thickness 0.5 mm
stainless steel - UNI 8842 A - DIN 6798 A



RANCILIO 37430400

1186504 **WASHER FLAT M10**
internal/external \varnothing 10.5/20 mm - thickness 2 mm
stainless steel - UNI 6592 - DIN 125 A - ISO 7089



RANCILIO 39520008



Suitable for:

RANCILIO



Suitable for:

Knobs

1252510 DOSING KNOB MD50 MD80



RANCILIO 21208701

1241906 FILTER HANDLE



RANCILIO 38120010

Levers

1225901 DISPENSER LEVER MD
for Grinder-dispenser (RANCILIO) MD40 - MD50
MD80



RANCILIO 14705015

RANCILIO 22105001

Microswitches, mechanical

1240846 MICROSWITCH ELECTRICA NR115K5
13A 250V
for Grinder-dispenser (RANCILIO) MD50 - MD80



RANCILIO 34100004

1240847 MICROSWITCH OMRON VX-5-1A2
5A 250V
for Grinder-dispenser (RANCILIO) MD50 - MD80



RANCILIO 34100003

3240123 MICROSWITCH ROLD VRSRB1DA1
16A 250V



RANCILIO 68023055

Motors

1240907 MOTOR MD 50 220V ASSEMBLY



RANCILIO 14000022

RANCILIO 34014022

RANCILIO 34014086



O-Ring and ORM gaskets

1186421 O-RING 02018 EPDM



RANCILIO 36401003

Pawls for coffee grinder dosers

1252502 PAWL FOR COFFEE GRINDER MD



RANCILIO 21103000

Pins

1252527 ADJUSTMENT RING RETAINER MD40 MD50



RANCILIO 22208501

1252512 DOSER PIN MD



RANCILIO 26105005

1252430 RING NUT LOCKING PIN



RANCILIO 38111003

Relays

1252529 CIRCUIT INTERRUPTER MD50 4211 - NEW



RANCILIO 34020109

3351008 POWER RELAY FINDER 62.83.8.230.0000
230V 50/60Hz
3 exchange contacts 16A

RANCILIO 65229036



Suitable for:

RANCILIO



1252804 RELAY BASE



RANCILIO 34020106

Suitable for:

3351605 RELAY POWER FINDER 60.63.8.230.0000
230V 50/60Hz
3 exchange contacts 10A



RANCILIO 34200192

RANCILIO 65229024

RANCILIO 68023190

Springs

1250908 MD PIN SPRING



RANCILIO 39120035

1250810 SPRING ϕ 10x31/45 mm LEVER RECALL
for Grinder-dispenser (RANCILIO) MD40 - MD50
MD80



RANCILIO 39220010

1250906 STAR SPRING
for RANCILIO MD40-MD50-MD80



RANCILIO 39120025

1250907 STROKE COUNTER SPRING MD



RANCILIO 39220015

Stars and spare parts

1252511 CLOSING SECTOR MD



RANCILIO 32329014

1324903 GRINDING ADJUSTMENT PIN



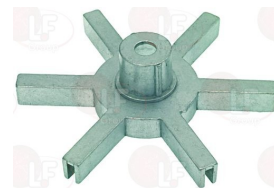
RANCILIO 26214010

1343013 LOWER STAR MD WITH PIN



RANCILIO 14701020

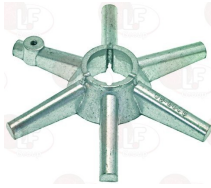
1343012 MIDDLE STAR MD



RANCILIO 21206501



1343011 UPPER STAR MD



RANCILIO 21208501

Switches

1319902 BIPOLAR SWITCH BLACK 16A 250V
with indicator led lamp
mounting hole 22x30 mm



RANCILIO 34030971

1319215 BLACK BIPOLAR SWITCH 16A 250V
with orange led indicator light
"flash" screen printing
mounting hole 22x30 mm
for Grinder-dispenser (RANCILIO) MD40 - MD50
MD80



RANCILIO 34030064

1319916 ORANGE BIPOLAR PUSH-BUTTON 16A 250V
16(4)A 250V - mounting hole 22x30 mm
"START" silk-screen printing
for Grinder-dispenser (RANCILIO) MD50 - MD80



RANCILIO 34030050

RANCILIO 34030052

3319501 PUSH-BUTTON PROTECTION CAP
external dimensions 29x36 mm
for switches with mounting hole 22x30 mm



RANCILIO 34030131

Tampers for coffee

1385002 NYLON COFFEE TAMPER ø 50/57 mm



RANCILIO 38120005



Suitable for:

RANCILIO



Suitable for:

Terminal blocks

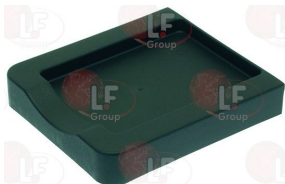
3247016 3-POLE TERMINAL BLOCK FV273 40A 450V
for cable max 6 mm²
operating temperature 150°C
nominal voltage 450 V



RANCILIO 34150023

Trays

1252429 COFFEE COLLECTION TRAY
for Grinder-dispenser (RANCILIO) MD40



RANCILIO 38120041

1252517 COFFEE COLLECTION TRAY
for Grinder-dispenser (RANCILIO) MD50



RANCILIO 38120013

1252520 COFFEE COLLECTION TRAY
for Grinder-dispenser (RANCILIO) MD80



RANCILIO 38120026

The data herewith contained may change without notice and LF SpA cannot be held responsible for possible errors stated or resulting by the use of this document. All rights reserved. No part of this publication may be reproduced without written permission by LF SpA.



Distributing Components, Spare Parts & Accessories in original quality worldwide

-
- LF SpA HEADQUARTERS**
via Voltri, 80 - 47522 Cesena (FC) ITALY
Tel. +39 0547 34 11 11 - Fax +39 0547 34 11 10
www.lfricambi724.it - info@lfricambi.it
Export Dept. Tel. +39 0547 34 11 50 - Fax +39 0547 34 11 55
www.lfspareparts724.com - export@lfspareparts.com
- LF SpA HOUSEHOLD COMPONENTS DIVISION**
Via Padriciano, 99 - AREA Science Park - 34149 Trieste (TS) ITALY
Tel. +39 0547 34 12 42 - Fax +39 0547 34 12 48
www.lfspareparts724.com - info@lfspareparts.com
- EPGC Sas FRANCE**
13, Rue des Forts - 59960 Neuville en Ferrain
Tel. +33 (0)3 20 25 06 21 - Fax +33 (0)3 20 25 34 12
www.epgc.com - epgc@epgc.com
- LF GmbH GERMANY**
Junkersstrasse, 3 - D-82178 Puchheim - München
Tel. +49 89 89 45 78 66 - Fax +49 89 89 45 78 88
www.lfersatzteile724.de - info@lfersatzteile.de
- LF China REPUBLIC OF CHINA**
Room 403, No.2, Huadu Mansion, Lane 422, Huanghua Rd.
Minhang Dist. - 201103 Shanghai
Tel. +86 (0)21 33 53 66 31 - Fax +86 (0)21 33 53 66 32
www.lfspareparts724.com - china@lfspareparts.com
- OOO LF RUSSIAN FEDERATION**
Ul. Anatoliya Zhivova, 8 - office 1 - 123100 Moscow
Tel./Fax +7 495 725 26 53
www.lfspareparts724.ru - info@lfspareparts.ru
- LF Repuestos Horeca S.L.U. SPAIN**
Poligono Industrial Carpetania - C/Miguel Faraday, 8 - 28906 Getafe
Tel. +34 91 477 91 00 - Fax +34 91 477 90 81
www.lfrepuestos-horeca724.es - info@lfrepuestos.es
- LF Scandinavia Aps - LF Spareparts S.p.A. DENMARK**
Nupark, 51 - 7500 Holstebro
Tel. +45 70 70 77 33
www.lfspareparts724.dk - denmark@lfspareparts.dk
- LF SpA Cesena (IT) Swiss Branch Steinhausen SWITZERLAND**
Sennweidstrasse, 45 - CH-6312 Steinhausen
Tel. +41 (0)41 760 15 80/1 - Fax +41 (0)41 760 15 85
www.lfersatzteile724.ch - info@lfersatzteile.ch
- LF Spare Parts Ltd. UNITED KINGDOM**
A10a Lakeside Business Park, Broadway Lane
South Cerney, Gloucestershire GL7 5XL
Tel. +44 (0)1285 86 16 25 - Fax +44 (0)1285 86 39 49
www.lfspareparts724.co.uk - info@lfspareparts.co.uk
- LF Central Est Europe S.r.o. CZECH REPUBLIC**
Antala Staska 1859/34
14000 Praha 4 - KRC
Tel. +420 730 156 910
www.lfspareparts724.cz - info@lfspareparts.cz
- LF SPARE PARTS INC. USA**
Legal address:
155 Office Plaza Dr - Suite A - Tallahassee, FL 32301
Business/Mailing address:
1100 South Tower, 225 Peachtree St., N.E. - Atlanta, GA 30303, USA
Tel. +1-404-525-2600 - Fax +1-404-586-3528
www.lfspareparts724.us - info@lfspareparts.us
Tel. West Coast and Midwest: 206-349-1525 Sauro
Tel. East Coast and the Caribbean: 786-817-1764 Luis
-
- AUSTRALIA AND NEW ZEALAND**
www.lfspareparts724.com
andrea.calvio@lfspareparts.com
- AUSTRIA**
www.lfersatzteile724.at
info@lfersatzteile.at
- BALKAN COUNTRIES**
www.lfspareparts724.com
matija.ramov@lfspareparts.com
- BALTIC COUNTRIES**
www.lfspareparts724.com
inara.silina@lfspareparts.com
- LATIN AMERICA AND THE CARRIBEANS**
www.lfrepuestos-horeca724.es
export@lfrepuestos.es
- POLAND**
www.lfspareparts724.pl
info@lfspareparts.pl
- SOUTH KOREA**
www.lfspareparts724.com
fabio.doni@lfspareparts.com
- TURKEY**
www.lfyedekparca724.com
export@lfspareparts.com