



Spare parts for the professional sector: Coffee grinders



Suitable for:

NUOVA SIMONELLI



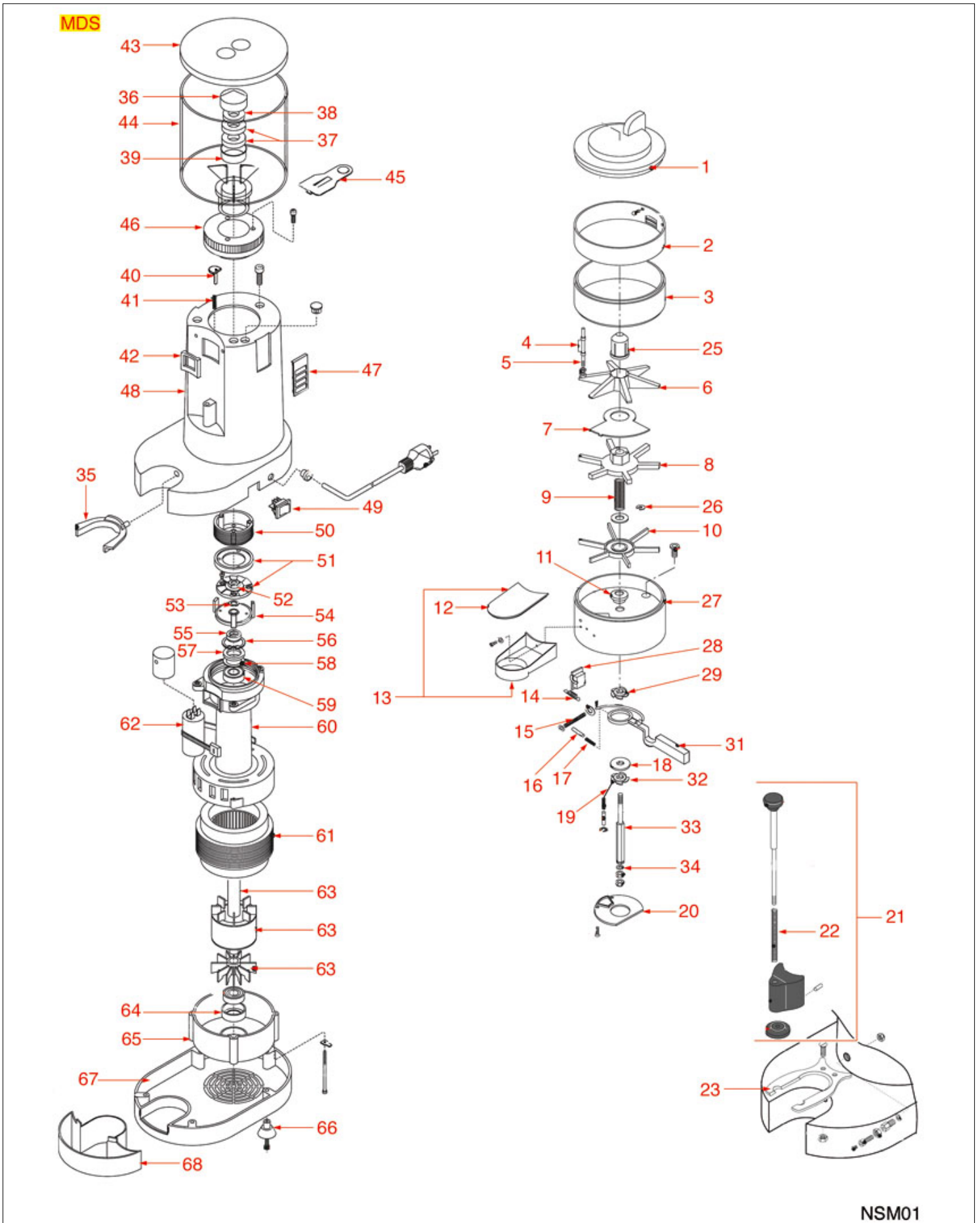
This catalogue is automatically generated.
Therefore, the sequence of the items might
not be always shown at best.
Updates will be issued in case of additions
and/or amendments.

Suitable universal spare parts may not be included





GRINDER ASSEMBLY MDS



NSM01

Positions without LF code no.: upon request



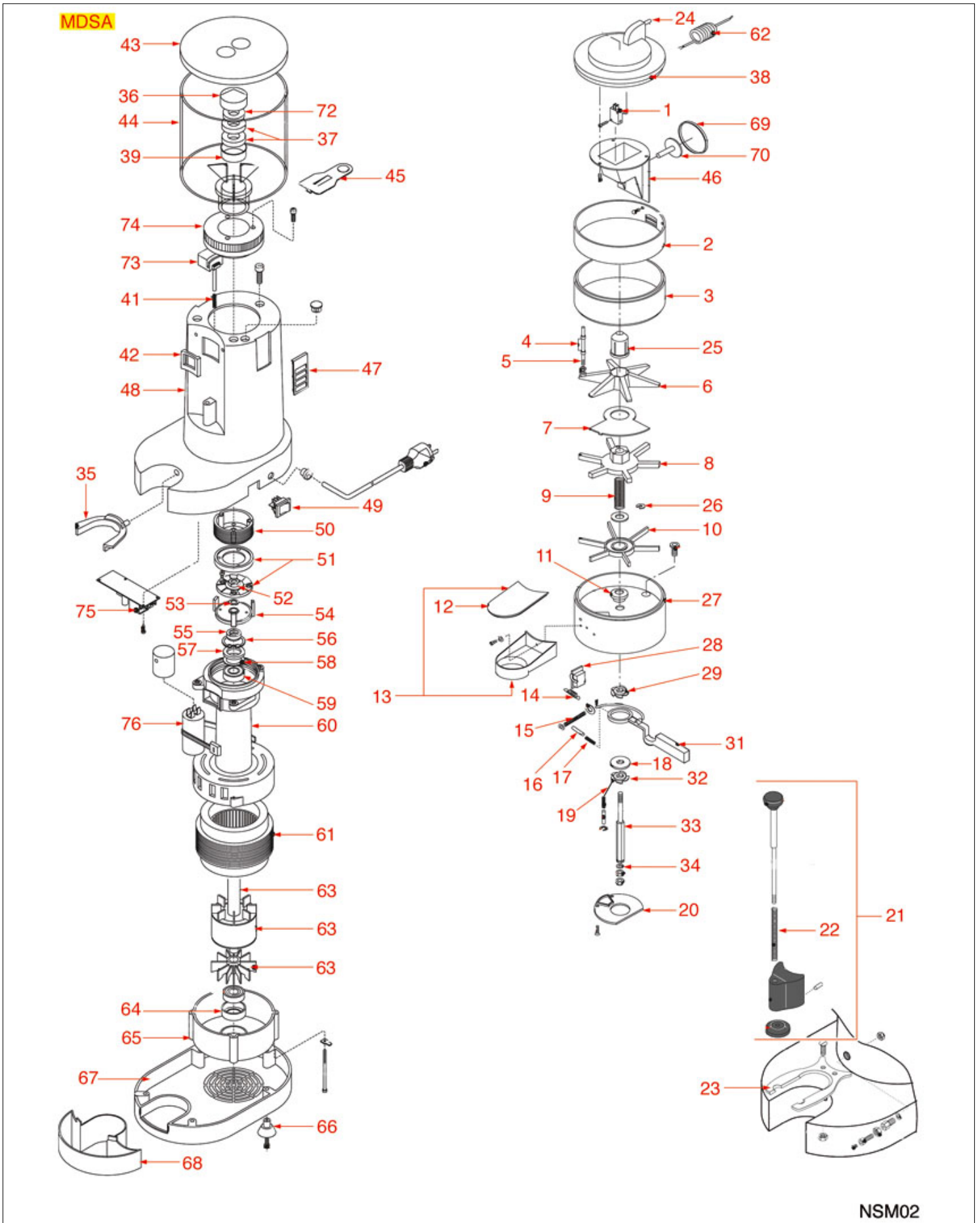
NUOVA SIMONELLI



Position	LF code no.	Description
5	1324933	SPRING SHAFT SEAT
28	1252470	COUNTER FOR COFFEE GRINDER/DOSER
35	1252582	FILTER HOLDER FORK
46	1252583	ADJUSTMENT RING NUT
49	3319019	BIPOLAR SWITCH RED 16A 250V
49	3319934	BIPOLAR SWITCH ORANGE 16A 250V
51	1251011	GRINDING BURRS ASTRAL-ROSSI (PAIR) LEFT
51	1251707	GRINDING BURRS PAIR ROSSI LH
55	1252378	THREADED RING NUT 15MCx1
56	1250130	SEEGER RING J-35
58	1252376	COMPENSATION RING
59	3063005	BEARING 6202 DDU NSK
62	3068019	CAPACITOR DUCATI ENERGIA 12,5 μ F



GRINDER ASSEMBLY MDSA



NSM02

Positions without LF code no.: upon request



NUOVA SIMONELLI

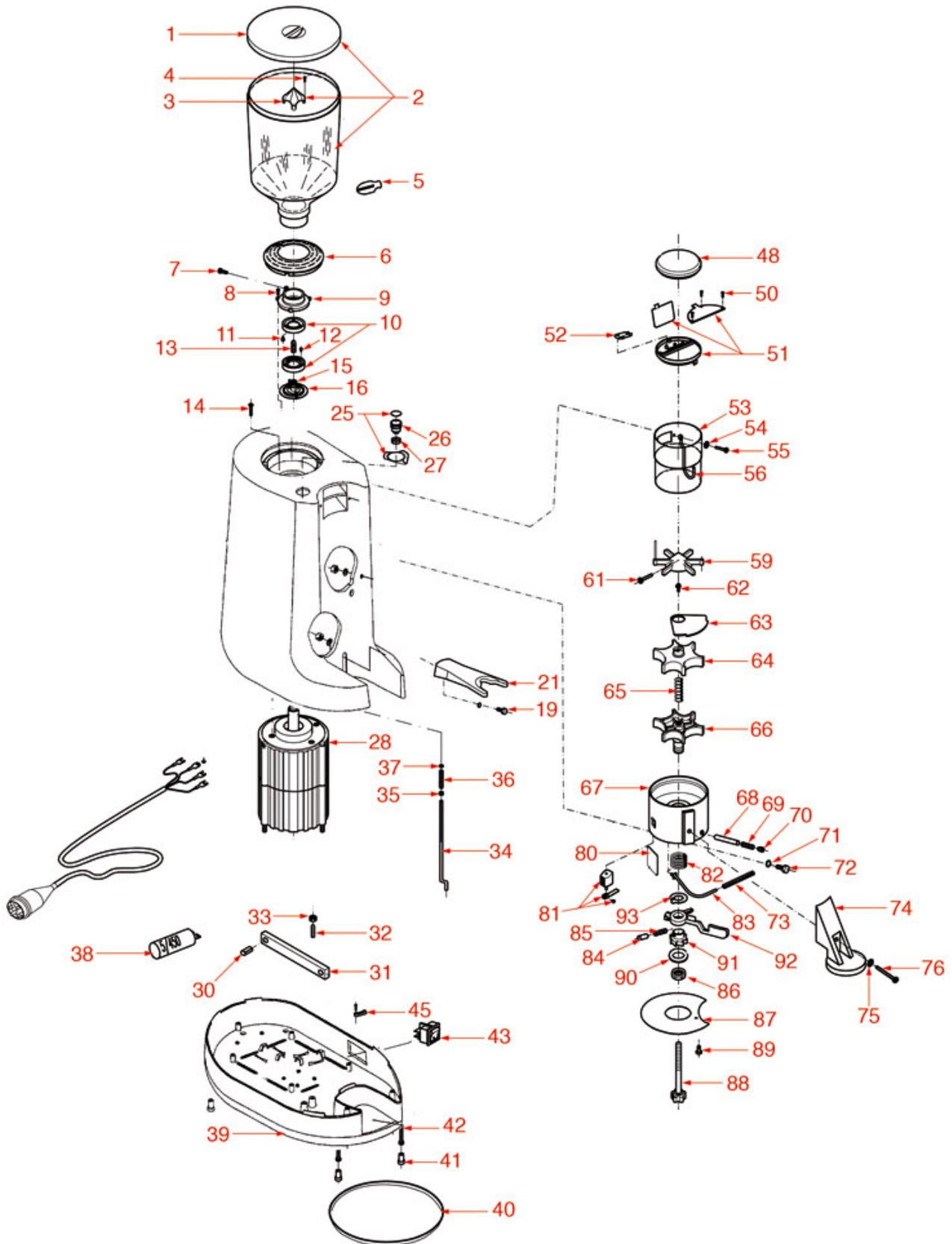


Position	LF code no.	Description
1	3240123	MICROSWITCH ROLD VRSRB1DA1
5	1324933	SPRING SHAFT SEAT
28	1252470	COUNTER FOR COFFEE GRINDER/DOSER
35	1252582	FILTER HOLDER FORK
49	3319019	BIPOLAR SWITCH RED 16A 250V
49	3319934	BIPOLAR SWITCH ORANGE 16A 250V
51	1251011	GRINDING BURRS ASTRAL-ROSSI (PAIR) LEFT
51	1251707	GRINDING BURRS PAIR ROSSI LH
55	1252378	THREADED RING NUT 15MCx1
56	1250130	SEEGER RING J-35
58	1252376	COMPENSATION RING
59	3063005	BEARING 6202 DDU NSK
76	3068019	CAPACITOR DUCATI ENERGIA 12,5μF



GRINDER ASSEMBLY MDX-MDXA

MDX - MDXA



NSM03

Positions without LF code no.: upon request



NUOVA SIMONELLI

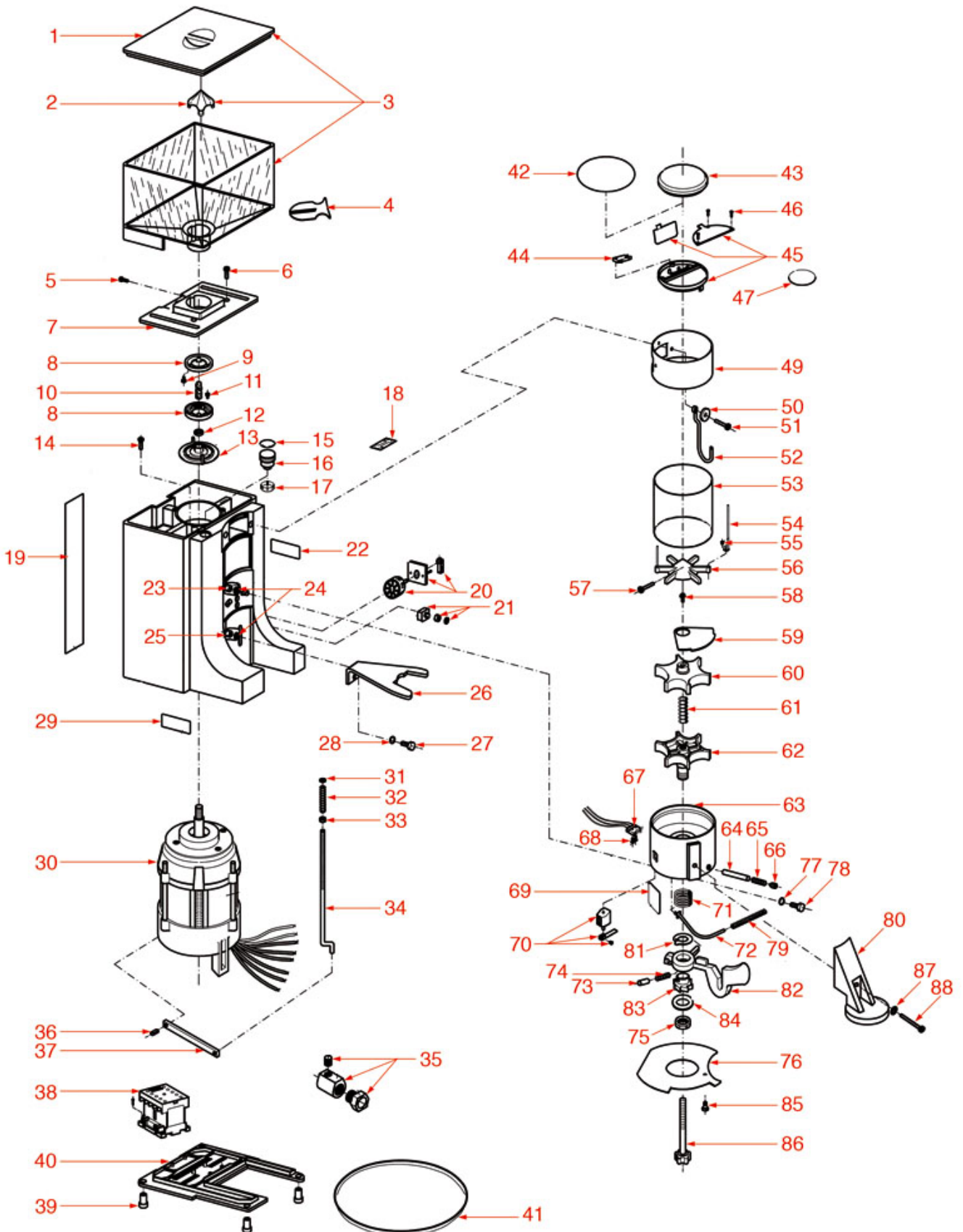


Position	LF code no.	Description
1	1080053	COFFEE HOPPER LID ø 180 mm
2	1080055	COMPLETE HOPPER
3	1080058	COFFEE HOPPER INNER PROTECTION
5	1080059	COFFEE CONTAINER CLOSING SHEET
6	1251064	TOP GRINDING BURRS COVER
7	1528100	CYLINDER HEAD SCREW M4x12
10	1251074	GRINDING BURRS EUREKA (PAIR) RIGHT
11	3528291	CROSS HEAD FLUSH SCREW M4x8
12	1528001	COUNTERSUNK FLAT HEAD SCREWS M4x10
13	1528038	GRINDING BURRS HOLDER LOCKING NUT
15	1186504	WASHER FLAT M10
16	1251059	GRINDING BURRS BOTTOM HOLDER
19	3528112	HEXAGONAL HEAD SCREW M6x16
21	1162004	FILTER HOLDER PLASTIC FORK
26	1241113	ADJUSTMENT KNOB
33	1348813	HEXAGONAL NUT M4 MEDIUM
35	1528030	MID HEXAGONAL NUT M6
36	1250131	TIE ROD ADJUSTMENT SPRING ø 10x60 mm
38	3068008	CAPACITOR DUCATI ENERGIA 5µF
40	1252385	COFFEE COLLECTING TRAY ø 170 mm
41	1313005	FOOT ø 20 mm
43	3319294	BLACK BIPOLAR SWITCH 16A 250V
48	1252386	DOSER LID ø 125 mm
51	1252391	AUTOMATIC MICROSWITCH BOX
52	3240123	MICROSWITCH ROLD VRSRB1DA1
53	1090002	DOSER CYLINDER ø 124/116x116 mm
59	1343034	PLASTIC TOP STAR
62	1528631	CYLINDER HEAD SCREW M4x8
63	1343038	DIVIDING SHEET
64	1343039	CENTRAL STAR
65	1250132	STAR SPRING ø 16x60 mm
66	1343040	BOTTOM STAR
68	1252397	DOSER GROUP PIN ø 5x30 mm
69	1250087	SPRING ø 4.5x12 mm
72	3528112	HEXAGONAL HEAD SCREW M6x16
73	1250134	DOSER LEVER RETURN SPRING 8x85 mm
74	1385012	COFFEE TAMPER ø 56 mm
82	1250133	STAR SPRING ø 36x23 mm
84	1252396	DOSER GROUP PIN ø 5x18 mm
85	1250087	SPRING ø 4.5x12 mm
86	1528039	NUT FOR DOSER GROUP
91	1252394	DOSER PAWL
92	1225024	DOSER LEVER
93	1252395	WASHER FOR DOSER LEVER
94	1528030	MID HEXAGONAL NUT M6



GRINDER ASSEMBLY MDL-MDLCA

MDL - MDLCA



NSM04

Positions without LF code no.: upon request



NUOVA SIMONELLI

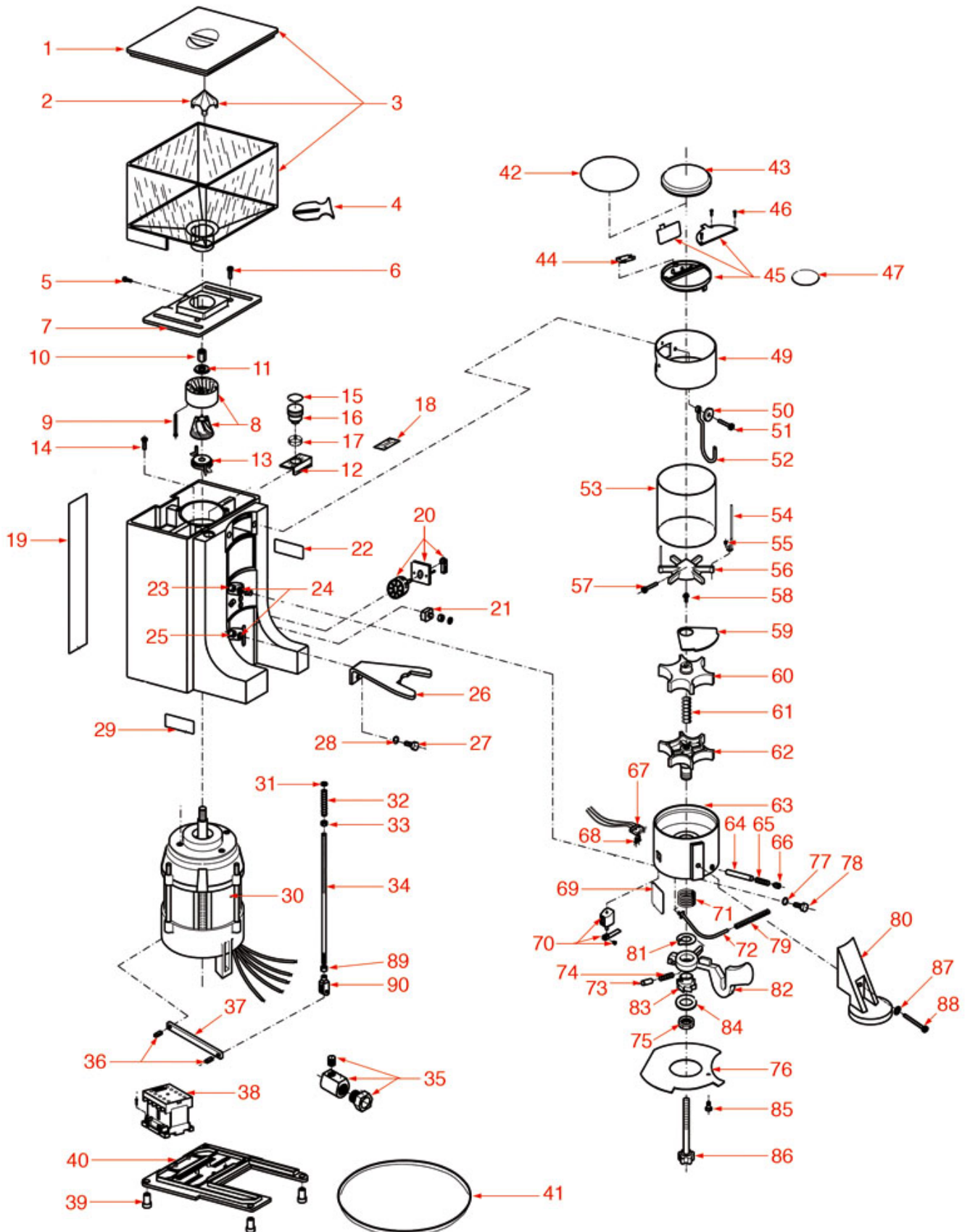


Position	LF code no.	Description
1	1080057	COFFEE HOPPER LID 168x168 mm
2	1080058	COFFEE HOPPER INNER PROTECTION
3	1080054	COMPLETE COFFEE HOPPER
4	1080059	COFFEE CONTAINER CLOSING SHEET
5	1528100	CYLINDER HEAD SCREW M4x12
8	1251060	GRINDING BURRS EUREKA (PAIR) RIGHT
8	1251074	GRINDING BURRS EUREKA (PAIR) RIGHT
9	1528001	COUNTERSUNK FLAT HEAD SCREWS M4x10
10	1528038	GRINDING BURRS HOLDER LOCKING NUT
11	1528001	COUNTERSUNK FLAT HEAD SCREWS M4x10
12	1186504	WASHER FLAT M10
13	1251058	GRINDING BURRS BOTTOM HOLDER
13	1251059	GRINDING BURRS BOTTOM HOLDER
16	1241113	ADJUSTMENT KNOB
20	1057008	SELECTOR SWITCH 0-1 POSITIONS
21	1240040	PUSH-BUTTON MICROSWITCH
25	1528030	MID HEXAGONAL NUT M6
26	1252389	FILTER HOLDER FORK
27	3528112	HEXAGONAL HEAD SCREW M6x16
32	1250131	TIE ROD ADJUSTMENT SPRING \varnothing 10x60 mm
33	1528030	MID HEXAGONAL NUT M6
41	1252385	COFFEE COLLECTING TRAY \varnothing 170 mm
43	1252386	DOSER LID \varnothing 125 mm
44	3240123	MICROSWITCH ROLD VRSRB1DA1
45	1252391	AUTOMATIC MICROSWITCH BOX
53	1252387	DOSER CYLINDER \varnothing 117x91 mm
54	1252393	DOSER SCRAPER
56	1343034	PLASTIC TOP STAR
58	1528631	CYLINDER HEAD SCREW M4x8
59	1343038	DIVIDING SHEET
60	1343035	MIDDLE STAR OF ALUMINIUM
61	1250132	STAR SPRING \varnothing 16x60 mm
62	1343040	BOTTOM STAR
64	1252397	DOSER GROUP PIN \varnothing 5x30 mm
65	1250087	SPRING \varnothing 4.5x12 mm
67	1240028	MICROSWITCH 6A 250V
70	1252390	COUNTER FOR COFFEE GRINDER
71	1250133	STAR SPRING \varnothing 36x23 mm
73	1252396	DOSER GROUP PIN \varnothing 5x18 mm
74	1250087	SPRING \varnothing 4.5x12 mm
75	1528039	NUT FOR DOSER GROUP
78	1528009	HEXAGON HEAD SCREW M6x12
79	1250134	DOSER LEVER RETURN SPRING 8x85 mm
80	1385012	COFFEE TAMPER \varnothing 56 mm
81	1252395	WASHER FOR DOSER LEVER
83	1252394	DOSER PAWL



GRINDER ASSEMBLY MDLCA/C

MDLCA/C



NSM05

Positions without LF code no.: upon request



NUOVA SIMONELLI

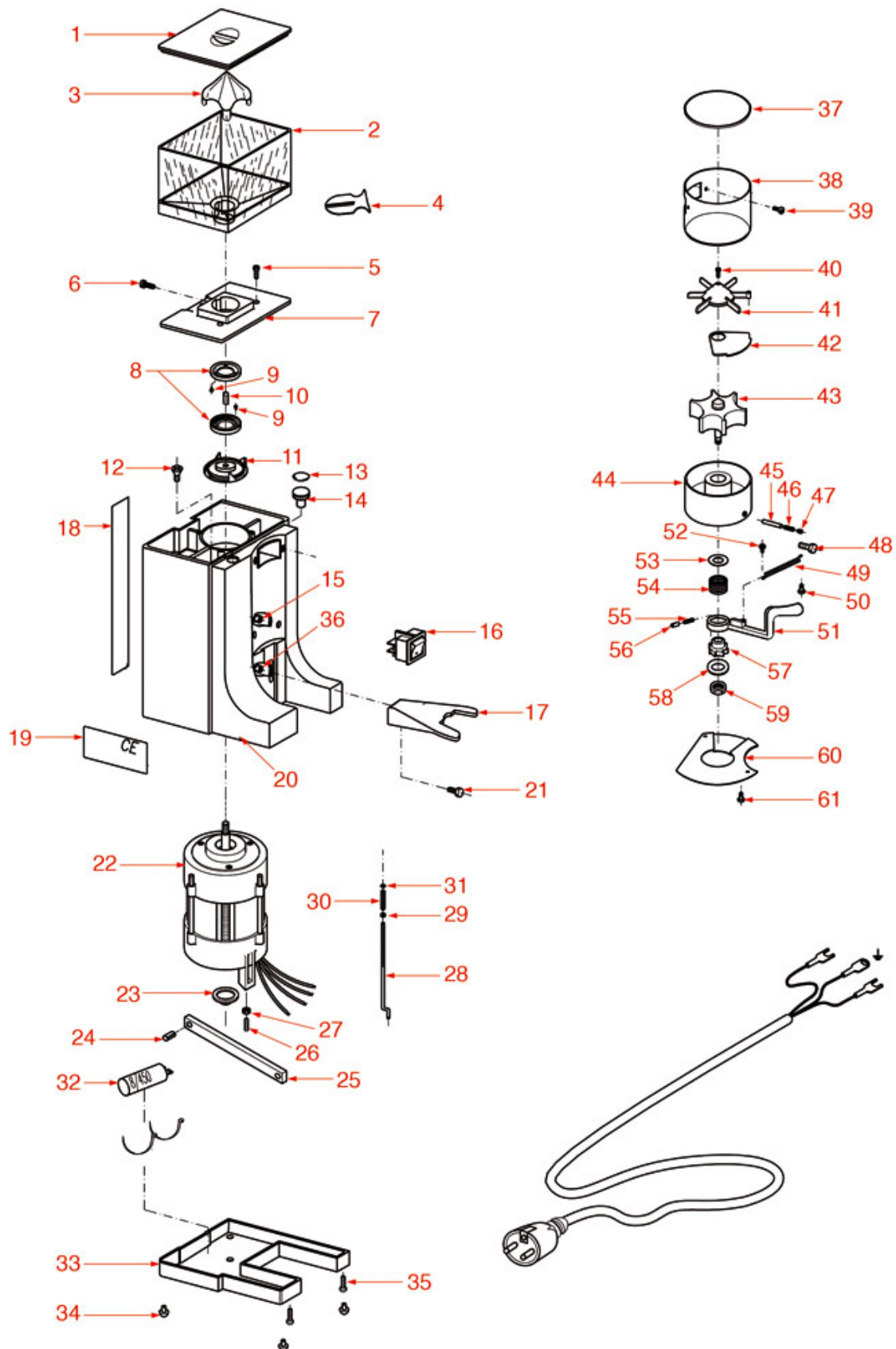


Position	LF code no.	Description
1	1080057	COFFEE HOPPER LID 168x168 mm
2	1080058	COFFEE HOPPER INNER PROTECTION
3	1080054	COMPLETE COFFEE HOPPER
4	1080059	COFFEE CONTAINER CLOSING SHEET
5	1528100	CYLINDER HEAD SCREW M4x12
8	1251038	CONICAL GRINDING BURRS EUREKA (PAIR) RH
16	1241113	ADJUSTMENT KNOB
20	1057008	SELECTOR SWITCH 0-1 POSITIONS
21	1240040	PUSH-BUTTON MICROSWITCH
25	1528030	MID HEXAGONAL NUT M6
26	1252389	FILTER HOLDER FORK
27	3528112	HEXAGONAL HEAD SCREW M6x16
32	1250131	TIE ROD ADJUSTMENT SPRING \varnothing 10x60 mm
33	1528030	MID HEXAGONAL NUT M6
41	1252385	COFFEE COLLECTING TRAY \varnothing 170 mm
43	1252386	DOSER LID \varnothing 125 mm
44	3240123	MICROSWITCH ROLD VRSRB1DA1
45	1252391	AUTOMATIC MICROSWITCH BOX
53	1252387	DOSER CYLINDER \varnothing 117x91 mm
54	1252393	DOSER SCRAPER
56	1343034	PLASTIC TOP STAR
58	1528631	CYLINDER HEAD SCREW M4x8
59	1343038	DIVIDING SHEET
60	1343035	MIDDLE STAR OF ALUMINIUM
61	1250132	STAR SPRING \varnothing 16x60 mm
62	1343040	BOTTOM STAR
64	1252397	DOSER GROUP PIN \varnothing 5x30 mm
65	1250087	SPRING \varnothing 4.5x12 mm
67	1240028	MICROSWITCH 6A 250V
70	1252390	COUNTER FOR COFFEE GRINDER
71	1250133	STAR SPRING \varnothing 36x23 mm
73	1252396	DOSER GROUP PIN \varnothing 5x18 mm
74	1250087	SPRING \varnothing 4.5x12 mm
75	1528039	NUT FOR DOSER GROUP
78	1528009	HEXAGON HEAD SCREW M6x12
79	1250134	DOSER LEVER RETURN SPRING 8x85 mm
80	1385012	COFFEE TAMPER \varnothing 56 mm
81	1252395	WASHER FOR DOSER LEVER
83	1252394	DOSER PAWL



GRINDER ASSEMBLY MCF

MCF



NSM06



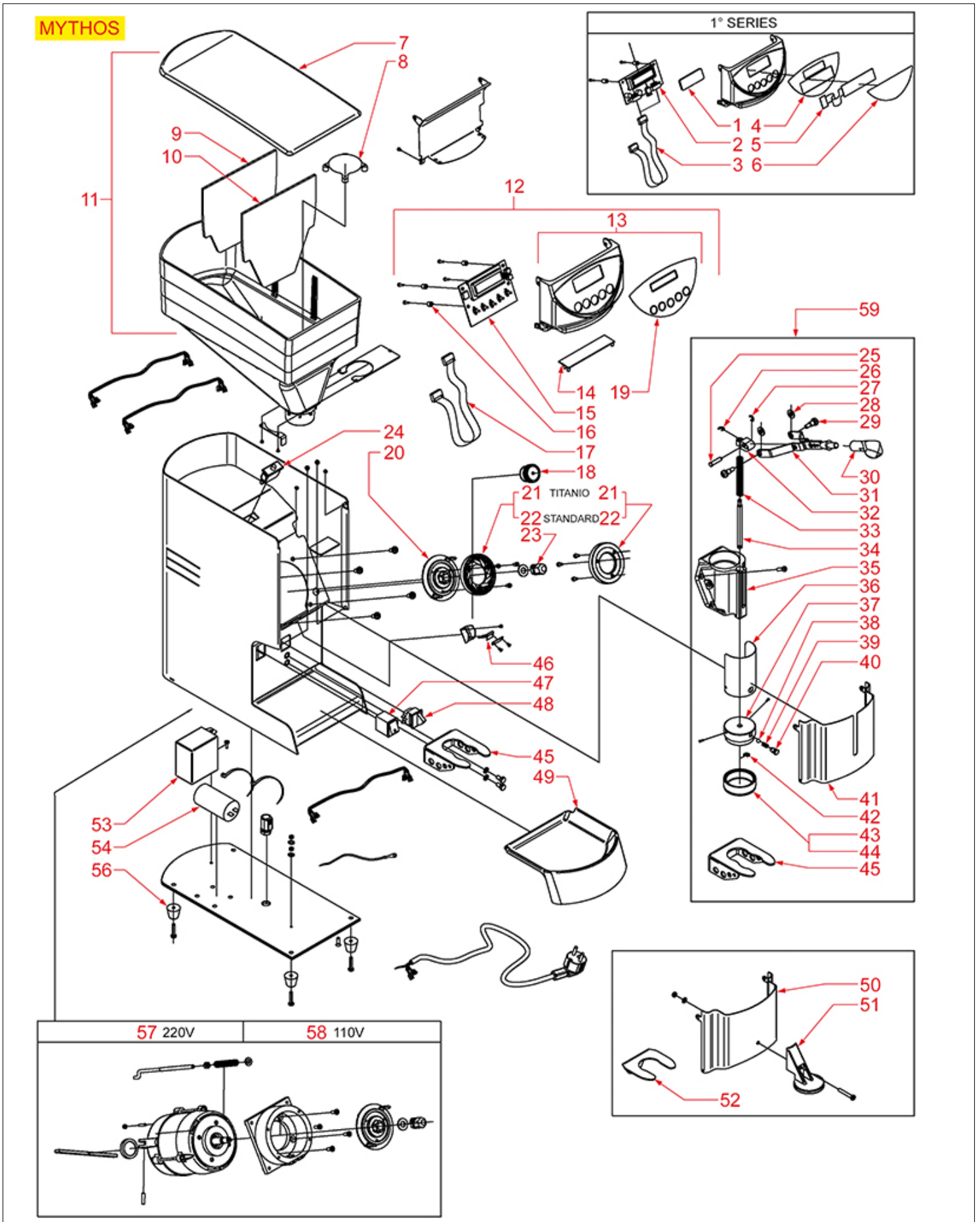
NUOVA SIMONELLI



Position	LF code no.	Description
1	1080061	COFFEE HOPPER LID 107x107 mm
2	1080056	COFFEE HOPPER
3	1080058	COFFEE HOPPER INNER PROTECTION
4	1080060	STAINL.STEEL COFFEE CONT.CLOSING SHEET
5	1528100	CYLINDER HEAD SCREW M4x12
6	1528100	CYLINDER HEAD SCREW M4x12
8	1251069	GRINDING BURRS EUREKA PAIR RH
9	1528042	CYLINDER HEAD SCREW M3x6
16	3319294	BLACK BIPOLAR SWITCH 16A 250V
27	1528030	MID HEXAGONAL NUT M6
32	3068014	CAPACITOR DUCATI ENERGIA 8 μ F
36	1528030	MID HEXAGONAL NUT M6
37	1090005	HOPPER LID \varnothing 95 mm
38	1090004	DOSER CYLINDER \varnothing 95x60 mm
39	3528291	CROSS HEAD FLUSH SCREW M4x8
41	1343044	TOP STAR
42	1343045	S/STEEL DIVIDING SHEET
43	1343050	BOTTOM STAR
45	1252399	DOSE GROUP PIN \varnothing 4x18 mm
46	1250135	DOSER CLASP SPRING \varnothing 4x18 mm
49	1250136	DOSER LEVER RETURN SPRING 4x48 mm
51	1225025	DOSER LEVER
54	1250137	STAR SPRING \varnothing 24x24 mm
55	1250138	PIN SPRING \varnothing 4x12 mm
56	1252400	DOSE GROUP PIN \varnothing 4x16 mm
57	1252402	PAWL 5 TEETH



COFFEE GRINDER MYTHOS



Positions without LF code no.: upon request



NUOVA SIMONELLI

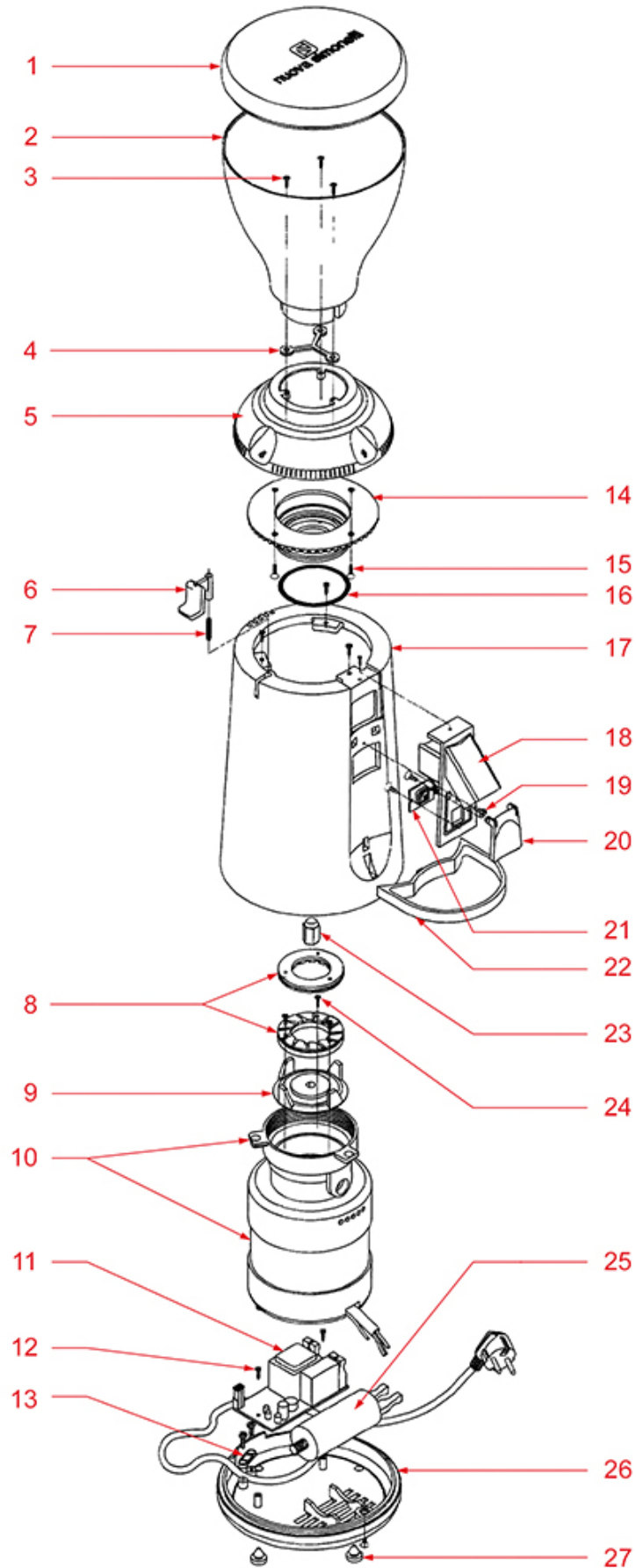


Position	LF code no.	Description
7	5067572	TAP FOR COFFEE CONTAINER 370x190 mm
8	1080058	COFFEE HOPPER INNER PROTECTION
11	5053345	COFFEE CONTAINER
15	5054742	ELECTRONIC PCB DISPLAY
19	5054744	PUSH-BUTTON PANEL MEMBRANE 5 BUTTONS
20	1251058	GRINDING BURRS BOTTOM HOLDER
21	5065680	BURRS PAIR EUREKA/SIMONELLI RH
22	1251060	GRINDING BURRS EUREKA (PAIR) RIGHT
23	1528038	GRINDING BURRS HOLDER LOCKING NUT
28	1186578	FIBERGLASS GASKET \varnothing 16x8x1.5 mm
33	5054247	
46	5067395	
47	3319294	BLACK BIPOLAR SWITCH 16A 250V
48	5047714	MICROSWITCH 250V 6A
49	5055405	COFFEE COLLECTING TRAY
51	1385012	COFFEE TAMPER \varnothing 56 mm
53	5051277	
54	3068083	CAPACITOR ELECTRICAL 16 μ F



COFFEE GRINDER GRINTA

GRINTA



Positions without LF code no.: upon request



NUOVA SIMONELLI



Position	LF code no.	Description
1	5052667	LID FOR COFFEE CONTAINER ø 140 mm
2	5052668	COFFEE CONTAINER
8	1251069	GRINDING BURRS EUREKA PAIR RH
22	5036705	
24	1528042	CYLINDER HEAD SCREW M3x6



Suitable for:

Suitable for:

Bodies

5082641 CANALETTO USCITA CAFFÈ



NUOVA SIMONELLI 15030049

1251064 TOP GRINDING BURRS COVER



NUOVA SIMONELLI 15050010

Brushes

1384023 BRUSH FOR CLEANING 50 mm



NUOVA SIMONELLI

1384001 BRUSH FOR COFFEE SHOWER



NUOVA SIMONELLI 05080012

1384002 BRUSH FOR MAINTENANCE



NUOVA SIMONELLI

1384014 BRUSH FOR SHOWER RED



NUOVA SIMONELLI

Capacitors, electrical

3068016 CAPACITOR DUCATI ENERGIA 10µF
450V 50/60Hz
operating temperature -25 + 85°C
lead connector 6.35x0.8 mm
ø 36xh58 mm



NUOVA SIMONELLI 04000043

NUOVA SIMONELLI 15050009

3068019 CAPACITOR DUCATI ENERGIA 12,5µF
450V 50/60Hz
operating temperature -25 + 85°C
lead connection 6.35x0.8 mm
ø 36xh70 mm



NUOVA SIMONELLI 15010033

3068024 CAPACITOR DUCATI ENERGIA 16µF
450V 50/60Hz
operating temperature -25 + 85°C
lead connector 6.35x0.8 mm
ø 36xh70 mm



NUOVA SIMONELLI 15050002

NUOVA SIMONELLI 15050023

3068008 CAPACITOR DUCATI ENERGIA 5µF
450V 50/60Hz
operating temperature -25 + 85°C
lead connection 6.35x0.8 mm
ø 28xh55 mm



NUOVA SIMONELLI

Circlips

1250130 SEEGER RING J-35
in plated iron - external \varnothing 37.8 mm
UNI 7437 - DIN 472



NUOVA SIMONELLI 15010037

Coffee measuring spoons

1069001 PLASTIC MEASURING SPOON 20 ml



NUOVA SIMONELLI

1069002 STAINLESS STEEL MEASURING SPOON 20 ml



NUOVA SIMONELLI

Contactors

3446561 CONTACTOR LOVATO BF0910A
coil 9A 230V 50/60Hz 4.2Kw
3 normally open contacts
1 normally open auxiliary contact



NUOVA SIMONELLI 04200019

Containers for coffee

5052668 COFFEE CONTAINER



NUOVA SIMONELLI 05000510

5053345 COFFEE CONTAINER



NUOVA SIMONELLI 15030000

1080059 COFFEE CONTAINER CLOSING SHEET



NUOVA SIMONELLI 15000040

5085496 COFFEE CONTAINER LOW



NUOVA SIMONELLI 15030088



NUOVA SIMONELLI



Suitable for:

1080056 COFFEE HOPPER



NUOVA SIMONELLI 15800002

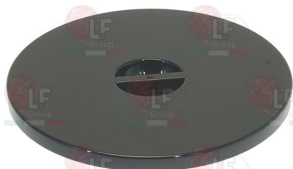
Suitable for:

1080058 COFFEE HOPPER INNER PROTECTION



NUOVA SIMONELLI 15050011

1080053 COFFEE HOPPER LID ø 180 mm



NUOVA SIMONELLI 15000055

1080061 COFFEE HOPPER LID 107x107 mm



NUOVA SIMONELLI 15800001

1080057 COFFEE HOPPER LID 168x168 mm



NUOVA SIMONELLI 15000050

1080054 COMPLETE COFFEE HOPPER



NUOVA SIMONELLI 01100002

NUOVA SIMONELLI 15000051

1080055 COMPLETE HOPPER



NUOVA SIMONELLI 15000056

1080249 HOPPER ROSSI COMPLETE



NUOVA SIMONELLI 15010002

5052667 LID FOR COFFEE CONTAINER ø 140 mm



NUOVA SIMONELLI 05000512

1080060 STAINL.STEEL COFFEE CONT.CLOSING SHEET



NUOVA SIMONELLI 15800042

5067572 TAP FOR COFFEE CONTAINER 370x190 mm



NUOVA SIMONELLI 15030001

Counters

1252390 COUNTER FOR COFFEE GRINDER



NUOVA SIMONELLI 15000071

1252470 COUNTER FOR COFFEE GRINDER/DOSER
for dosing grinders with dosing lever on the right



NUOVA SIMONELLI 15010063

Dosers for coffee

1252387 DOSER CYLINDER \varnothing 117x91 mm



NUOVA SIMONELLI 15000036

1090002 DOSER CYLINDER \varnothing 124/116x116 mm
 \varnothing external 124/116 mm - height 116 mm



NUOVA SIMONELLI 15000022

1090004 DOSER CYLINDER \varnothing 95x60 mm



NUOVA SIMONELLI 15800015

1252386 DOSER LID \varnothing 125 mm



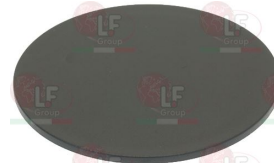
NUOVA SIMONELLI 15080005

1252393 DOSER SCRAPER



NUOVA SIMONELLI

1090005 HOPPER LID \varnothing 95 mm



NUOVA SIMONELLI 15800014

1324933 SPRING SHAFT SEAT



NUOVA SIMONELLI 15010006



Electronic boxes

5051277 CENTRALINA ALIMENTATORE 230V



NUOVA SIMONELLI 15030004

Electronic printed-circuit boards

5054742 ELECTRONIC PCB DISPLAY
sizes 117x74 mm



NUOVA SIMONELLI 15030011

Feet

1313005 FOOT ø 20 mm



NUOVA SIMONELLI 15050013

Forks for portafilter coffee grinder

1252389 FILTER HOLDER FORK



NUOVA SIMONELLI 15000009

1252582 FILTER HOLDER FORK



NUOVA SIMONELLI 15010016

1162004 FILTER HOLDER PLASTIC FORK



NUOVA SIMONELLI 15000057

Gaskets and seals

1186578 FIBERGLASS GASKET \varnothing 16x8x1.5 mm



NUOVA SIMONELLI 15100092

5067395 FRANGIA ROMPIGETTO USCITA CAFFÈ
dimensioni 45x15 mm



NUOVA SIMONELLI 15030035

Gears

1212011 PLANETARY GEAR



NUOVA SIMONELLI 15020015

Grinders

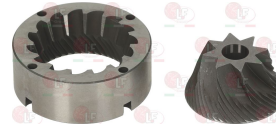
5065680 BURRS PAIR EUREKA/SIMONELLI RH
external \varnothing 74 mm - internal \varnothing 37 mm
9 mm thickness - 3 fastening holes



NUOVA SIMONELLI 15030026

NUOVA SIMONELLI 15030057

1251038 CONICAL GRINDING BURRS EUREKA (PAIR) RH
external \varnothing 68/49 mm - internal \varnothing 45/13 mm
thickness 25 mm - 4 fixing holes



NUOVA SIMONELLI 15070001

1251076 CONICAL GRINDING BURRS ROSSI (PAIR) RH
external \varnothing 68/49 mm - internal \varnothing 41/13 mm
thickness 25 mm - 4 mounting holes
inner groove for feather key



NUOVA SIMONELLI 15020001

1251011 GRINDING BURRS ASTRAL-ROSSI (PAIR) LEFT
external \varnothing 64 mm - internal \varnothing 38 mm
thickness 9 mm - 3 fixing holes



NUOVA SIMONELLI 15010030

1251060 GRINDING BURRS EUREKA (PAIR) RIGHT
external \varnothing 74 mm - internal \varnothing 38 mm
thickness 9 mm - 3 mounting holes



NUOVA SIMONELLI 15080002

1251074 GRINDING BURRS EUREKA (PAIR) RIGHT
external \varnothing 64 mm - internal \varnothing 38 mm
thickness 9 mm - 3 mounting holes



NUOVA SIMONELLI 15050001



Suitable for:

1251069 GRINDING BURRS EUREKA PAIR RH
ø external 50 mm - ø internal 30 mm
thickness 7.5 mm - 3 mounting holes



NUOVA SIMONELLI 15800039

NUOVA SIMONELLI 15800045

Suitable for:

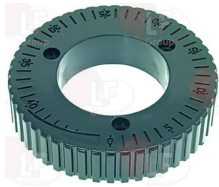
1251707 GRINDING BURRS PAIR ROSSI LH
BURRS "HEAVY DUTY" - duration increased by 70%
compared to a standard grinding burr
they do not deform
lower contamination of ground coffee
external ø 63,5 mm - internal ø 38 mm
thickness 9 mm - 3 fixing holes



NUOVA SIMONELLI

Grinding burr holders

1252583 ADJUSTMENT RING NUT



NUOVA SIMONELLI 15010028

1251058 GRINDING BURRS BOTTOM HOLDER



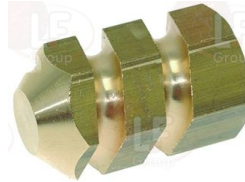
NUOVA SIMONELLI 15080009

1251059 GRINDING BURRS BOTTOM HOLDER



NUOVA SIMONELLI 15000043

1528038 GRINDING BURRS HOLDER LOCKING NUT



NUOVA SIMONELLI 15000064

1252378 THREADED RING NUT 15M Cx1



NUOVA SIMONELLI 15010079

Indicator lights

1221007 INDICATOR LIGHT RED 230V
ø head 20 mm - ø hole 10 mm
wire connection length 200 mm



NUOVA SIMONELLI 15080006

Ironmongery (screws,nuts,washers)

1252376 COMPENSATION RING



NUOVA SIMONELLI 15010035

1528623 COUNTERSUNK FLAT HEAD SCREWS M4x6
cross recessed - stainless steel
UNI 7688 - DIN 965 - ISO 7046



NUOVA SIMONELLI 00000119

1528100 CYLINDER HEAD SCREW M4x12
stainless steel - cross cut
UNI 7687 - DIN 7985 - ISO 7045



NUOVA SIMONELLI

1528049 CYLINDER HEAD SCREW M4x16
stainless steel - with hexagon socket
UNI 5931 - DIN 912 - ISO 4762



NUOVA SIMONELLI 00000148

1528631 CYLINDER HEAD SCREW M4x8
stainless steel - cross recessed
UNI 7687 - DIN 7985 - ISO 7045



NUOVA SIMONELLI

1348813 HEXAGONAL NUT M4 MEDIUM
stainless steel - UNI 5588 - DIN 934 - ISO 4032



NUOVA SIMONELLI

1528039 NUT FOR DOSER GROUP



NUOVA SIMONELLI 15050017

1528643 SCREWS NO HEAD WITH HEX. SOCKET M6x20
stainless steel - flat end
UNI 5923 - DIN 923 - ISO 4026



NUOVA SIMONELLI 00200013

5010319 SELF-TAPPING SCREW \varnothing 2.9x16 mm
stainless steel - cylinder head
cross recessed - C type end
UNI 6954 - DIN 7981 - ISO 7049



NUOVA SIMONELLI 00000157

1252395 WASHER FOR DOSER LEVER



NUOVA SIMONELLI 15050019



Suitable for:

Suitable for:

Knobs

1241113 ADJUSTMENT KNOB



NUOVA SIMONELLI 1500042

Levers

1225024 DOSER LEVER



NUOVA SIMONELLI 1500028

1225025 DOSER LEVER



NUOVA SIMONELLI 1580027

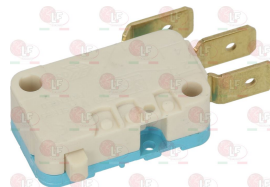
Microswitches, mechanical

1252391 AUTOMATIC MICROSWITCH BOX
without microswitch



NUOVA SIMONELLI 1505012

3240123 MICROSWITCH ROLD VRSRB1DA1
16A 250V



NUOVA SIMONELLI 1500041

NUOVA SIMONELLI 1502003

3240410 MICROSWITCH 16(4)A 250V



NUOVA SIMONELLI 15030095

5047714 MICROSWITCH 250V 6A



NUOVA SIMONELLI 15030009

1240028 MICROSWITCH 6A 250V



NUOVA SIMONELLI 15100088

1240040 PUSH-BUTTON MICROSWITCH



NUOVA SIMONELLI 15000070

O-Ring and ORM gaskets

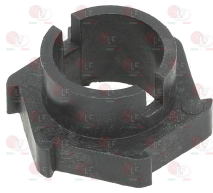
1186763 O-RING 0171 EPDM



NUOVA SIMONELLI 4020010

Pawls for coffee grinder dosers

1252394 DOSER PAWL



NUOVA SIMONELLI 15000027

1252402 PAWL 5 TEETH



NUOVA SIMONELLI 15800028

Pins

1252400 DOSE GROUP PIN \varnothing 4x16 mm



NUOVA SIMONELLI 15800021

1252399 DOSE GROUP PIN \varnothing 4x18 mm



NUOVA SIMONELLI 15800040

1252396 DOSER GROUP PIN \varnothing 5x18 mm



NUOVA SIMONELLI 15050016

1252397 DOSER GROUP PIN \varnothing 5x30 mm



NUOVA SIMONELLI 15050015

Relays

3351154 BASE OCTAL ES8 10A 400V
8 poles



NUOVA SIMONELLI 09000011

3351007 POWER RELAY FINDER 55.32.8.230.0040
230V 50/60Hz
2 exchange contacts 10A
with to test push-button + mechanic gauge



NUOVA SIMONELLI 15010055



Suitable for:



Suitable for:

Rotary switches

1057008 SELECTOR SWITCH 0-1 POSITIONS



NUOVA SIMONELLI 15070003

Springs

1250135 DOSER CLASP SPRING \varnothing 4x18 mm



NUOVA SIMONELLI 15800041

1250136 DOSER LEVER RETURN SPRING 4x48 mm
for EUREKA MCF
for NUOVA SIMONELLI MCF



NUOVA SIMONELLI 15800024

1250134 DOSER LEVER RETURN SPRING 8x85 mm
for EUREKA MDLCA65-MDLCA75-MDLCA/C-MDML
MONDIAL MDMC-MONDIAL MDME
for NUOVA SIMONELLI MDX-MDXA-MDL-MDLCA-MDLCA/C



NUOVA SIMONELLI 15000033

5054247 MOLLA \varnothing 12x94 mm PER LEVA PRESSINO



NUOVA SIMONELLI 15030020

1250138 PIN SPRING \varnothing 4x12 mm



NUOVA SIMONELLI 15800026

1250087 SPRING \varnothing 4.5x12 mm



NUOVA SIMONELLI 15050014

1250132 STAR SPRING \varnothing 16x60 mm
for EUREKA LUSSO MDLCA65-MDLCA75-LUSSO MDLCA/C
LUSSO MDML-MONDIAL MDMC-MONDIAL MDME
for NUOVA SIMONELLI MDX-MDXA-MDL-MDLCA-MDLCA/C



NUOVA SIMONELLI 15000062

1250137 STAR SPRING \varnothing 24x24 mm
for EUREKA MCF
for NUOVA SIMONELLI MCF



NUOVA SIMONELLI 15800023



Suitable for:

Suitable for:

1250133 STAR SPRING \varnothing 36x23 mm
 for EUREKA LUSO MDLCA65/MDLC75-LUSO MDLCA/C
 LUSO MDML-MONDIAL MDMC-MONDIAL MDME
 for NUOVA SIMONELLI MDX-MDXA-MDL-MDLCA-MDLCA/C

1250131 TIE ROD ADJUSTMENT SPRING \varnothing 10x60 mm



NUOVA SIMONELLI 15000060

NUOVA SIMONELLI

Stars and spare parts

1343040 BOTTOM STAR



NUOVA SIMONELLI 15000025

NUOVA SIMONELLI 15000073

1343050 BOTTOM STAR



NUOVA SIMONELLI 15800018

1343039 CENTRAL STAR



NUOVA SIMONELLI 15000024

1343038 DIVIDING SHEET



NUOVA SIMONELLI 15000023

NUOVA SIMONELLI 15000084

1343035 MIDDLE STAR OF ALUMINIUM



NUOVA SIMONELLI

1343034 PLASTIC TOP STAR



NUOVA SIMONELLI 15000026

1343045 S/STEEL DIVIDING SHEET



NUOVA SIMONELLI 15800017

1343044 TOP STAR



NUOVA SIMONELLI 15800016

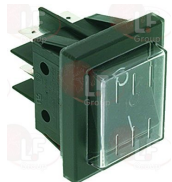


Suitable for:

Suitable for:

Switches

3319154 BIPOLAR SWITCH BLACK 16A 250V
16(4)A 250V - max. temperature 120°C
with push-button cap - silk screen printing 0 - I
mounting hole 22x30 mm



NUOVA SIMONELLI 16200027

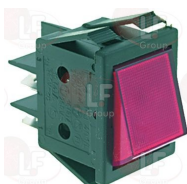
NUOVA SIMONELLI 16300119

3319934 BIPOLAR SWITCH ORANGE 16A 250V
16(4)A 250V - max. temperature 120°C
with indicator lamp - silk screen printing 0 - I
mounting hole 22x30 mm



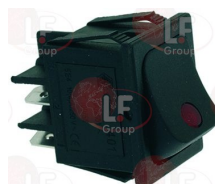
NUOVA SIMONELLI 15010045

3319019 BIPOLAR SWITCH RED 16A 250V
16(4)A 250V - max. temperature 120°C
with indicator lamp - mounting hole 22x30 mm



NUOVA SIMONELLI 04200011

3319294 BLACK BIPOLAR SWITCH 16A 250V
16(4)A 250V - with red led indicator light
mounting hole 22x30 mm



NUOVA SIMONELLI 15000058

5054744 PUSH-BUTTON PANEL MEMBRANE 5 BUTTONS



NUOVA SIMONELLI 15030012

3319468 SWITCH 1-POLE BLACK 16A 250V
16(4)A 250V
silk-screen printing 0 - I
max. temperature 120°C
mounting hole 11x30 mm



NUOVA SIMONELLI 16300121

9006081 THREE-PHASE SWITCH 10A 380V



NUOVA SIMONELLI LF-1319160

Tampers for coffee

1385012 COFFEE TAMPER ø 56 mm



NUOVA SIMONELLI 15000067

1385002 NYLON COFFEE TAMPER ø 50/57 mm



NUOVA SIMONELLI 05080035

NUOVA SIMONELLI 98011000



Suitable for:

Suitable for:

1324932 PIN FOR MANUAL COFFEE TAMPER

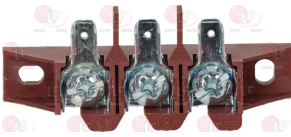


NUOVA SIMONELLI

Terminal blocks

3247016 3-POLE TERMINAL BLOCK FV273 40A 450V

for cable max 6 mm²
operating temperature 150°C
nominal voltage 450 V



NUOVA SIMONELLI 04000310

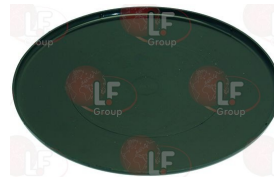
Trays

5055405 COFFEE COLLECTING TRAY



NUOVA SIMONELLI 15030007

1252385 COFFEE COLLECTING TRAY ø 170 mm



NUOVA SIMONELLI 15080038

5036705 PIATTINO RECUPERO CAFFÈ



NUOVA SIMONELLI 05000506

The data herewith contained may change without notice and LF SpA cannot be held responsible for possible errors stated or resulting by the use of this document. All rights reserved. No part of this publication may be reproduced without written permission by LF SpA.



Distributing Components, Spare Parts & Accessories in original quality worldwide

-
- LF SpA HEADQUARTERS**
via Voltri, 80 - 47522 Cesena (FC) ITALY
Tel. +39 0547 34 11 11 - Fax +39 0547 34 11 10
www.lfircambi724.it - info@lfircambi.it
Export Dept. Tel. +39 0547 34 11 50 - Fax +39 0547 34 11 55
www.lfspareparts724.com - export@lfspareparts.com
- LF SpA HOUSEHOLD COMPONENTS DIVISION**
Via Padriciano, 99 - AREA Science Park - 34149 Trieste (TS) ITALY
Tel. +39 0547 34 12 42 - Fax +39 0547 34 12 48
www.lfspareparts724.com - info@lfspareparts.com
- EPGC Sas FRANCE**
13, Rue des Forts - 59960 Neuville en Ferrain
Tel. +33 (0)3 20 25 06 21 - Fax +33 (0)3 20 25 34 12
www.epgc.com - epgc@epgc.com
- LF GmbH GERMANY**
Junkersstrasse, 3 - D-82178 Puchheim - München
Tel. +49 89 89 45 78 66 - Fax +49 89 89 45 78 88
www.lfersatzteile724.de - info@lfersatzteile.de
- LF China REPUBLIC OF CHINA**
Room 403, No.2, Huadu Mansion, Lane 422, Huanghua Rd.
Minhang Dist. - 201103 Shanghai
Tel. +86 (0)21 33 53 66 31 - Fax +86 (0)21 33 53 66 32
www.lfspareparts724.com - china@lfspareparts.com
- OOO LF RUSSIAN FEDERATION**
Ul. Anatoliya Zhivova, 8 - office 1 - 123100 Moscow
Tel./Fax +7 495 725 26 53
www.lfspareparts724.ru - info@lfspareparts.ru
- LF Repuestos Horeca S.L.U. SPAIN**
Poligono Industrial Carpetania - C/Miguel Faraday, 8 - 28906 Getafe
Tel. +34 91 477 91 00 - Fax +34 91 477 90 81
www.lfrepuestos-horeca724.es - info@lfrepuestos.es
- LF Scandinavia Aps - LF Spareparts S.p.A. DENMARK**
Nupark, 51 - 7500 Holstebro
Tel. +45 70 70 77 33
www.lfspareparts724.dk - denmark@lfspareparts.dk
- LF SpA Cesena (IT) Swiss Branch Steinhausen SWITZERLAND**
Sennweidstrasse, 45 - CH-6312 Steinhausen
Tel. +41 (0)41 760 15 80/1 - Fax +41 (0)41 760 15 85
www.lfersatzteile724.ch - info@lfersatzteile.ch
- LF Spare Parts Ltd. UNITED KINGDOM**
A10a Lakeside Business Park, Broadway Lane
South Cerney, Gloucestershire GL7 5XL
Tel. +44 (0)1285 86 16 25 - Fax +44 (0)1285 86 39 49
www.lfspareparts724.co.uk - info@lfspareparts.co.uk
- LF Central Est Europe S.r.o. CZECH REPUBLIC**
Antala Staska 1859/34
14000 Praha 4 - KRC
Tel. +420 730 156 910
www.lfspareparts724.cz - info@lfspareparts.cz
- LF SPARE PARTS INC. USA**
Legal address:
155 Office Plaza Dr - Suite A - Tallahassee, FL 32301
Business/Mailing address:
1100 South Tower, 225 Peachtree St., N.E. - Atlanta, GA 30303, USA
Tel. +1-404-525-2600 - Fax +1-404-586-3528
www.lfspareparts724.us - info@lfspareparts.us
Tel. West Coast and Midwest: 206-349-1525 Sauro
Tel. East Coast and the Caribbean: 786-817-1764 Luis
-
- AUSTRALIA AND NEW ZEALAND**
www.lfspareparts724.com
andrea.calvio@lfspareparts.com
- AUSTRIA**
www.lfersatzteile724.at
info@lfersatzteile.at
- BALKAN COUNTRIES**
www.lfspareparts724.com
matija.ramov@lfspareparts.com
- BALTIC COUNTRIES**
www.lfspareparts724.com
inara.silina@lfspareparts.com
- LATIN AMERICA AND THE CARRIBEANS**
www.lfrepuestos-horeca724.es
export@lfrepuestos.es
- POLAND**
www.lfspareparts724.pl
info@lfspareparts.pl
- SOUTH KOREA**
www.lfspareparts724.com
fabio.doni@lfspareparts.com
- TURKEY**
www.lfyedekparca724.com
export@lfspareparts.com