



Spare parts for the professional sector: Coffee grinders



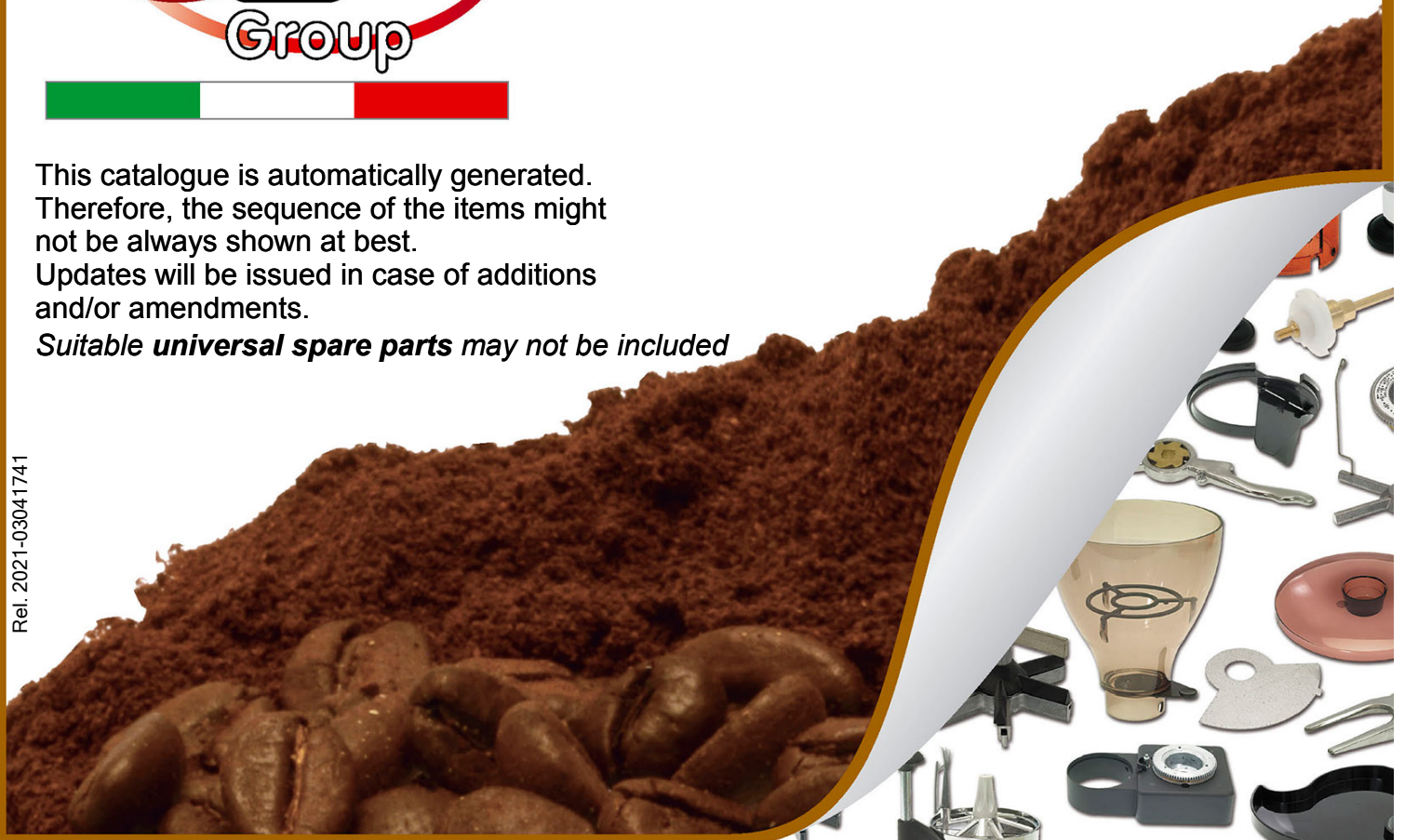
Suitable for:

MAZZER



This catalogue is automatically generated.
Therefore, the sequence of the items might
not be always shown at best.
Updates will be issued in case of additions
and/or amendments.

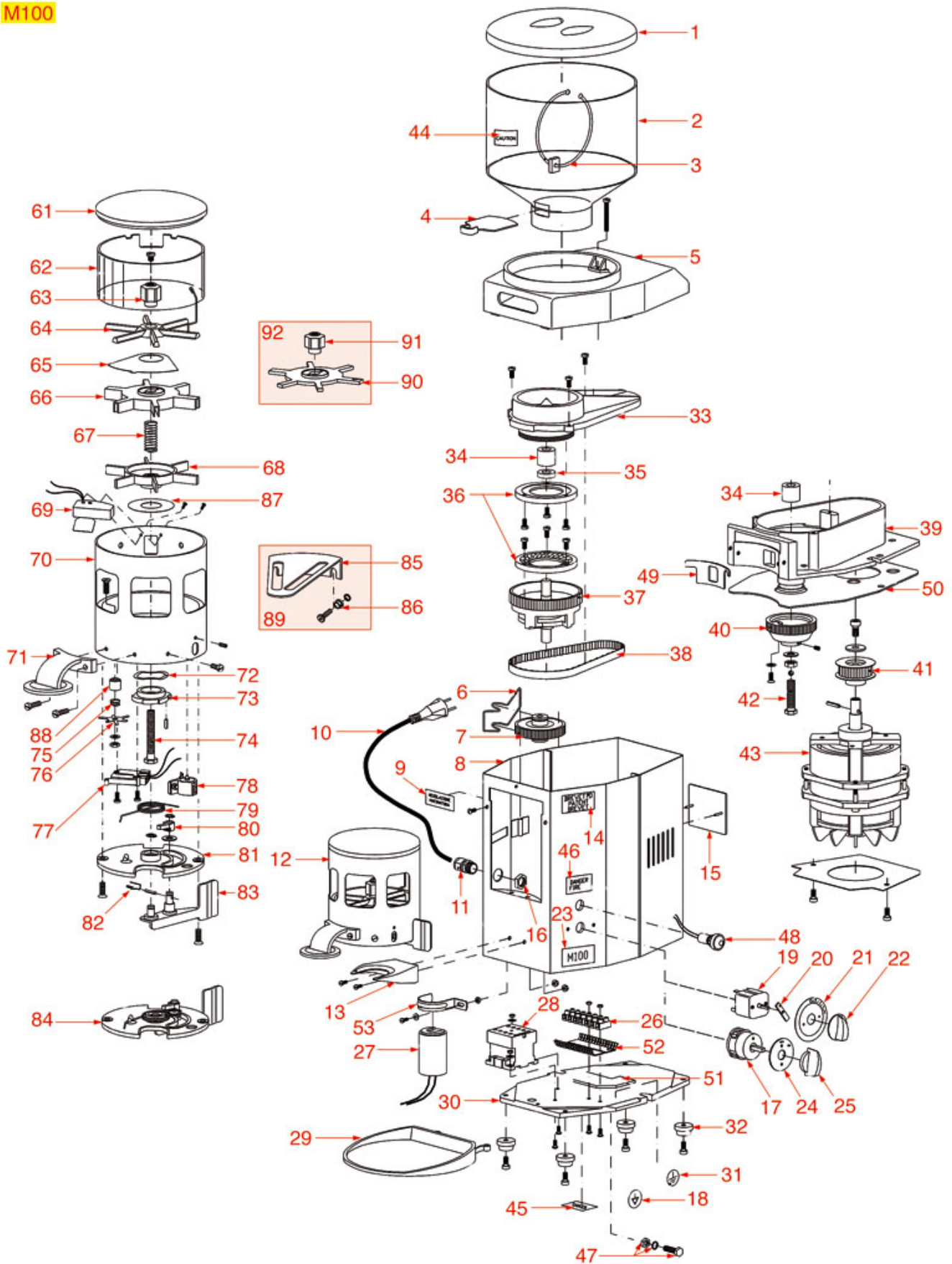
Suitable universal spare parts may not be included





GRINDER ASSEMBLY M100

M100



MZ0001



MAZZER

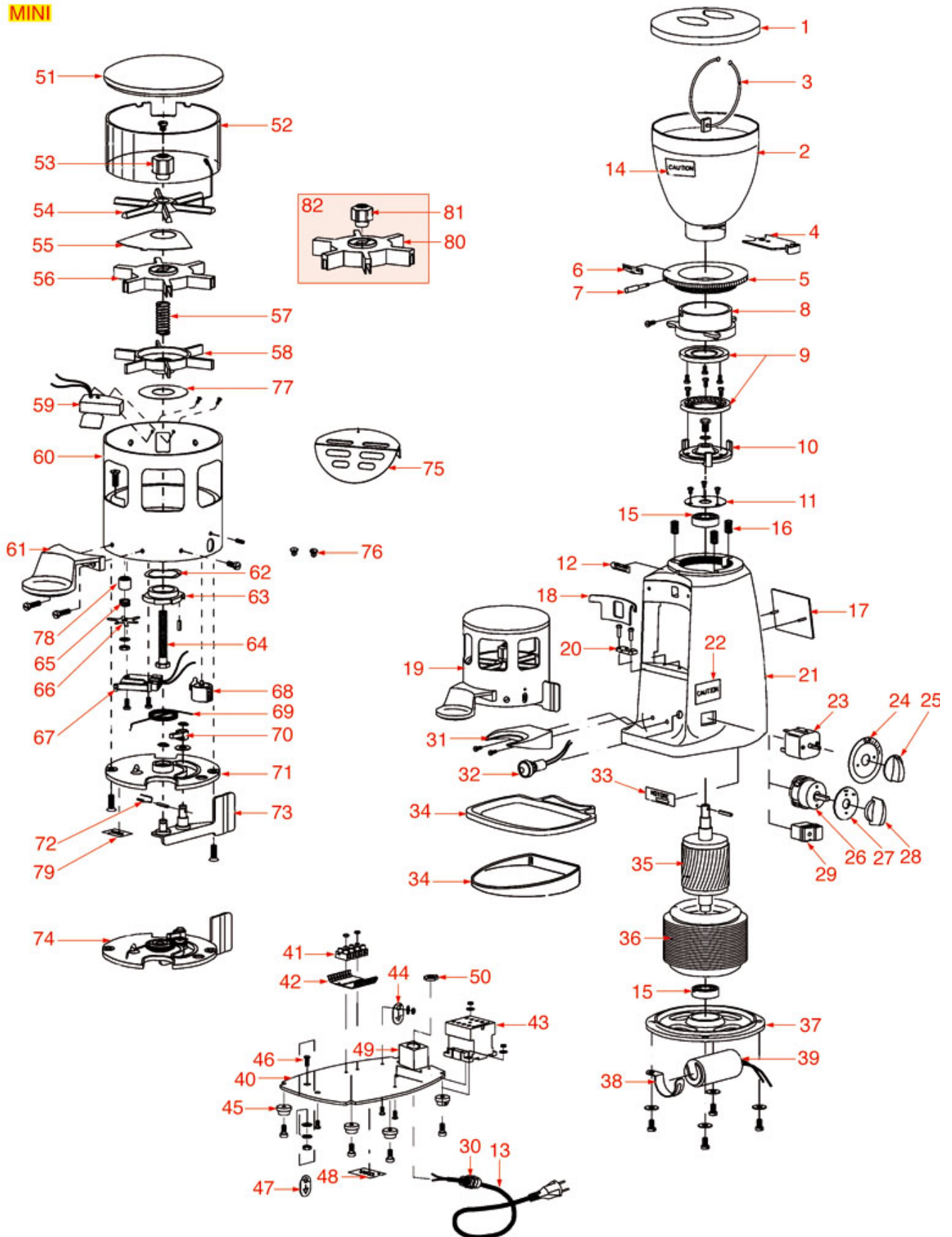


Position	LF code no.	Description
1	1080081	COFFEE HOPPER LID ø 196 mm
2	1080080	COFFEE HOPPER
13	1252082	FILTER HOLDER FORK
15	1252066	LABEL 4M MAZZER
17	1057903	SELECTOR SWITCH 0-1-START POSITIONS 20A
17	1057904	SELECTOR SWITCH 0-1- POSITIONS 20A 690V
17	1319001	SELECTOR SWITCH 0-1 POSITIONS 20A 690V
19	1446900	TIMER 50 SECONDS 16A 250V
19	1446901	TIMER 50 SECONDS 3-POLES
21	1446902	TIMER LABEL
22	1446903	TIMER KNOB
24	1252067	LABEL FOR SELECTOR SWITCH 0-1 POSITIONS
25	1241542	KNOB SELECTOR SWITCH BLACK ø 33 mm
27	3068014	CAPACITOR DUCATI ENERGIA 8µF
27	3068016	CAPACITOR DUCATI ENERGIA 10µF
28	1454902	CONTACTOR LOVATO BG0910A
28	3446556	CONTACTOR LOVATO BG0910A
32	1313903	FOOT COMPLETE M5x0.75
36	1251116	GRINDING BURRS PAIR MAZZER 1-PH. RH
36	1251117	GRINDING BURRS PAIR MAZZER 3-PH. RH
38	1062001	TOOTHED BELT 173 L 050 H13
44	1009007	CAUTION-HOPPER LABEL
45	1252099	"DANGER" LABEL
49	1186906	AER-STOP GASKET
61	1252086	DOSER LID ø 125 mm
62	1252087	DOSER CYLINDER ø 120x68 mm
63	1241909	SMALL CONTROL HANDLE
65	1252088	CLOSING SECTOR
66	1343902	STAR (FEMALE)
67	1252089	DOSER PRESSURE SPRING
68	1343903	STAR (MALE)
69	1240941	UPPER MICROSWITCH ASSEMBLY
71	1385901	COFFEE TAMPER ø 53 mm
71	1385902	COFFEE TAMPER ø 54.5 mm
71	1385903	COFFEE TAMPER ø 57.5 mm
72	1252091	COMPENSATION RING ø 32 mm
73	1252092	PAWL FOR COFFEE GRINDER/DOSER
74	1252093	ST.STEEL SCREW FOR DOSING ADJUST. M8x70
75	1250921	LOWER MICRORELEASE SPRING
76	1343904	LOWER MICROSWITCH STAR
77	1240942	MICROSWITCH CROUZET U83161.3
79	1250922	DOSER LEVER RETURN SPRING
80	1252095	DOSER RETAINER
82	1250923	RETAINER SPRING
84	1252097	DOSER LEVER ASSEMBLY
85	1252443	COFFEE OUTLET PROTECTION
87	1252098	DOSER WASHER
88	1343905	LOWER MICROSWITCH STAR SPACER
92	1343907	STAR WITH ADJUSTMENT KNOB



GRINDER ASSEMBLY MINI

MINI



MZ0101

Positions without LF code no.: upon request



MAZZER

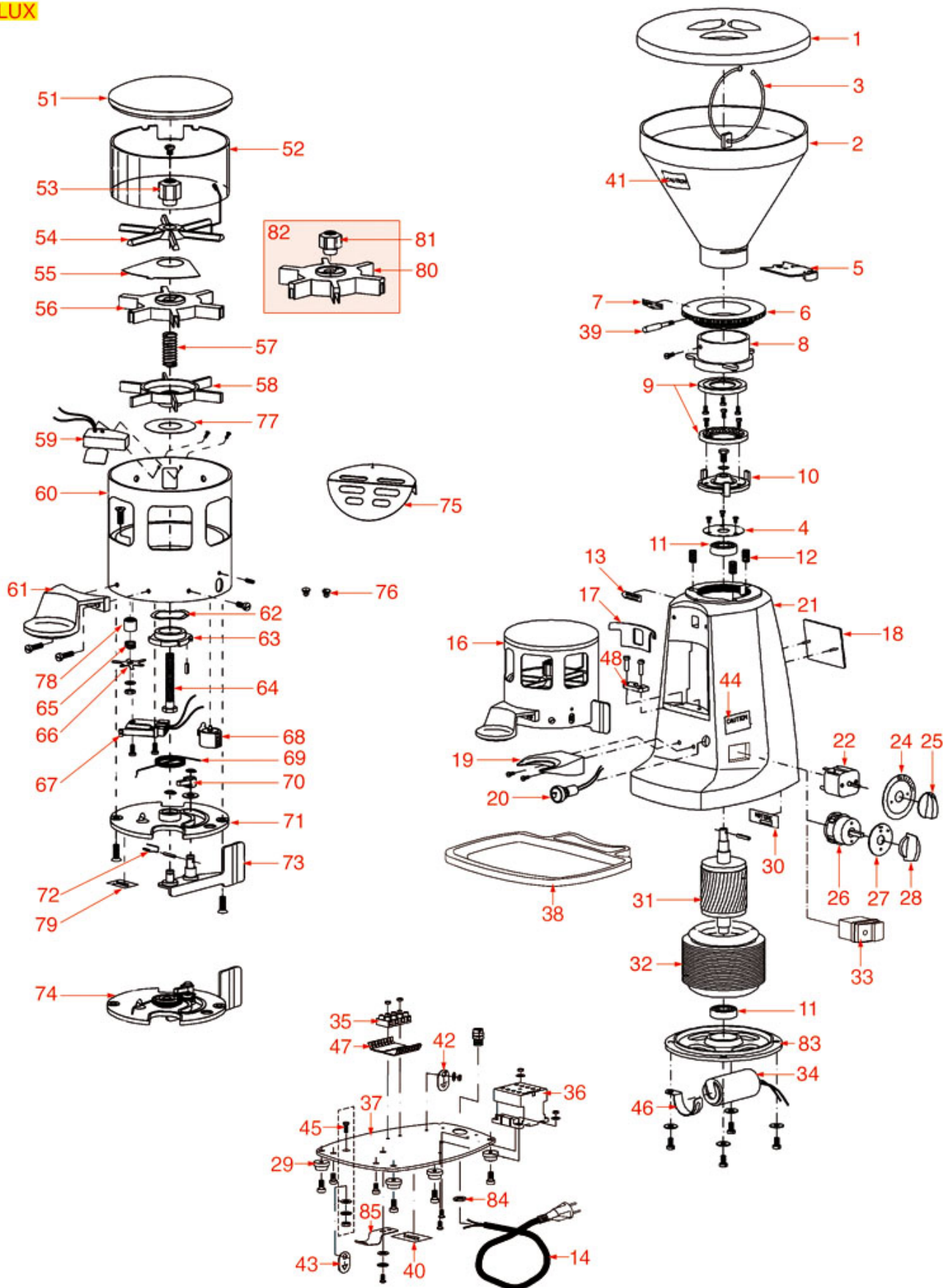


Position	LF code no.	Description
1	1252060	COFFEE HOPPER LID ø 160 mm
2	1080076	COFFEE HOPPER COMPLETE 320 g
2	1252901	COFFEE HOPPER COMPLETE
4	1252063	COFFEE HOPPER CLOSING SHEET
5	1252902	ADJUSTMENT RING
6	1009006	COARSE-FINE LABEL
7	1324906	ADJUSTMENT RING PIN M5
8	1251925	UPPER BURRS HOLDER
9	1251190	GRINDING BURRS PAIR MAZZER RH
9	1251915	GRINDING BURRS PAIR MAZZER RH
10	1251926	LOWER BURRS HOLDER
11	1063008	BEARING CAP ø 52 mm
12	1240927	MOTOR ROTATION LABEL
14	1009007	CAUTION-HOPPER LABEL
15	3063005	BEARING 6202 DDU NSK
16	1250065	SPRING ø 10x23.6 mm
17	1252066	LABEL 4M MAZZER
18	1186906	AER-STOP GASKET
22	1009008	CAUTION-FIRE LABEL
23	1446900	TIMER 50 SECONDS 16A 250V
24	1446902	TIMER LABEL
25	1446903	TIMER KNOB
26	1057904	SELECTOR SWITCH 0-1- POSITIONS 20A 690V
27	1252067	LABEL FOR SELECTOR SWITCH 0-1 POSITIONS
28	1241542	KNOB SELECTOR SWITCH BLACK ø 33 mm
29	1319902	BIPOLAR SWITCH BLACK 16A 250V
31	1252082	FILTER HOLDER FORK
32	1221901	INDICATOR LIGHT GREEN 250/400V
34	1252439	COFFEE COLLECTING TRAY
34	1252440	COFFEE COLLECTING TRAY
35	1240929	ROTOR MINI-LUX
39	3068010	CAPACITOR DUCATI ENERGIA 6,3µF
43	3446556	CONTACTOR LOVATO BG0910A
45	1313903	FOOT COMPLETE M5x0.75
48	1252099	"DANGER" LABEL
51	1252086	DOSER LID ø 125 mm
52	1090021	DOSER CYLINDER ø 120x70 mm
53	1241909	SMALL CONTROL HANDLE
55	1252088	CLOSING SECTOR
56	1343902	STAR (FEMALE)
57	1252089	DOSER PRESSURE SPRING
58	1343903	STAR (MALE)
59	1240941	UPPER MICROSWITCH ASSEMBLY
61	1385901	COFFEE TAMPER ø 53 mm
61	1385902	COFFEE TAMPER ø 54.5 mm
61	1385903	COFFEE TAMPER ø 57.5 mm
62	1252091	COMPENSATION RING ø 32 mm
63	1252092	PAWL FOR COFFEE GRINDER/DOSER
64	1252093	ST. STEEL SCREW FOR DOSING ADJUST. M8x70
65	1250921	LOWER MICRORELEASE SPRING
66	1343904	LOWER MICROSWITCH STAR
67	1240942	MICROSWITCH CROUZET U83161.3
68	1252094	COUNTER FOR COFFEE GRINDER
69	1250922	DOSER LEVER RETURN SPRING
70	1252095	DOSER RETAINER
72	1250923	RETAINER SPRING
74	1252097	DOSER LEVER ASSEMBLY
75	1252442	COFFEE OUTLET PROTECTION
77	1252098	DOSER WASHER
78	1343905	LOWER MICROSWITCH STAR SPACER
79	1252099	"DANGER" LABEL
82	1343907	STAR WITH ADJUSTMENT KNOB



GRINDER ASSEMBLY LUX

LUX





MAZZER

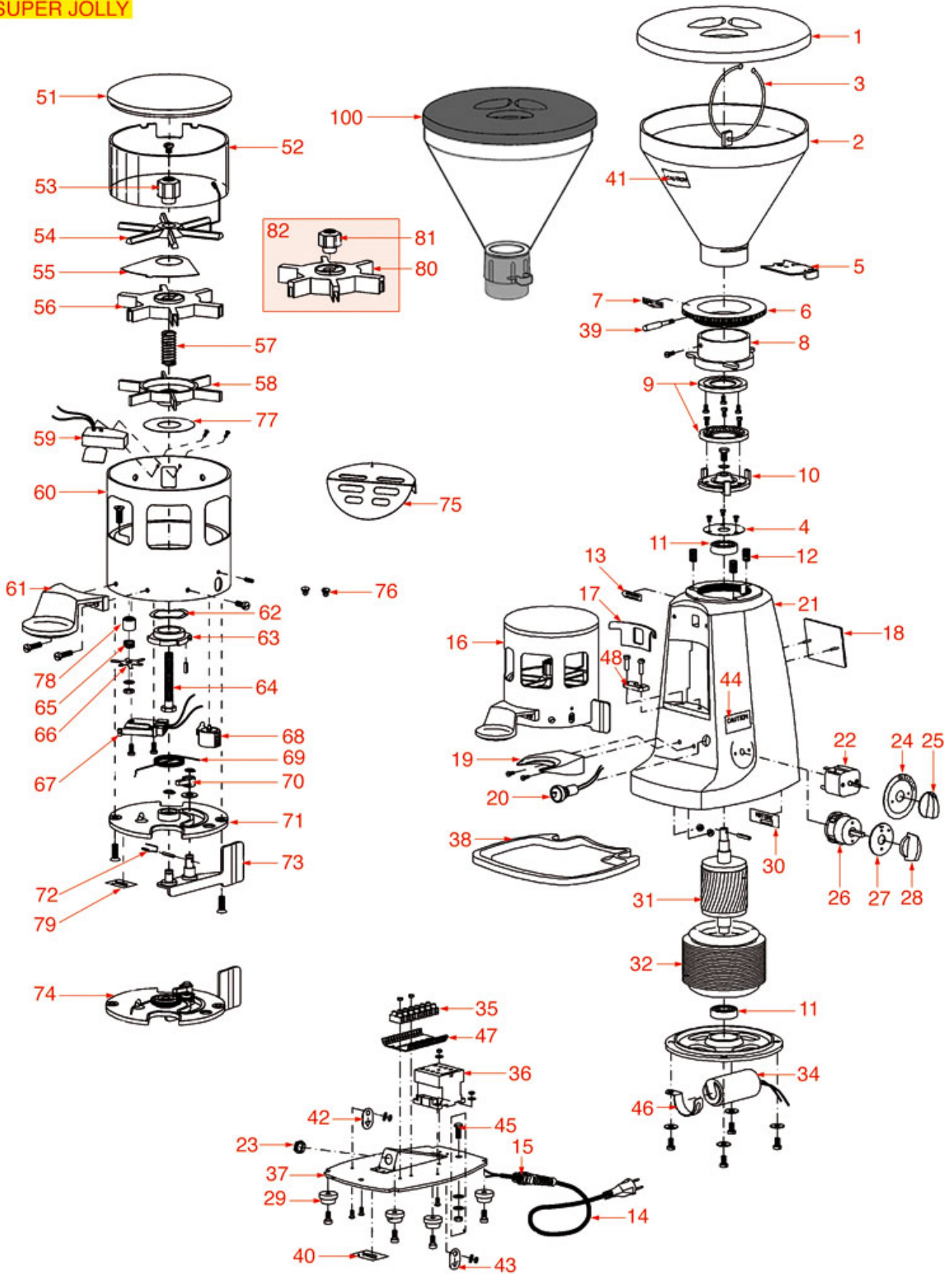


Position	LF code no.	Description
1	1252061	COFFEE HOPPER LID ø 210 mm
2	1080915	COFFEE HOPPER
4	1063008	BEARING CAP ø 52 mm
5	1252063	COFFEE HOPPER CLOSING SHEET
6	1252902	ADJUSTMENT RING
7	1009006	COARSE-FINE LABEL
9	5040064	GRINDING BURRS PAIR MAZZER RH
11	3063005	BEARING 6202 DDU NSK
12	1250065	SPRING ø 10x23.6 mm
13	1240927	MOTOR ROTATION LABEL
17	1186906	AER-STOP GASKET
18	1252066	LABEL 4M MAZZER
19	1252082	FILTER HOLDER FORK
20	1221901	INDICATOR LIGHT GREEN 250/400V
22	1446900	TIMER 50 SECONDS 16A 250V
24	1446902	TIMER LABEL
25	1446903	TIMER KNOB
26	1057904	SELECTOR SWITCH 0-1- POSITIONS 20A 690V
27	1252067	LABEL FOR SELECTOR SWITCH 0-1 POSITIONS
28	1241542	KNOB SELECTOR SWITCH BLACK ø 33 mm
29	1313903	FOOT COMPLETE M5x0.75
31	1240929	ROTOR MINI-LUX
33	1319902	BIPOLAR SWITCH BLACK 16A 250V
34	3068010	CAPACITOR DUCATI ENERGIA 6,3µF
38	1252439	COFFEE COLLECTING TRAY
39	1324906	ADJUSTMENT RING PIN M5
40	1252099	"DANGER" LABEL
41	1009007	CAUTION-HOPPER LABEL
44	1009008	CAUTION-FIRE LABEL
51	1252086	DOSER LID ø 125 mm
52	1090021	DOSER CYLINDER ø 120x70 mm
53	1241909	SMALL CONTROL HANDLE
55	1252088	CLOSING SECTOR
56	1343902	STAR (FEMALE)
57	1252089	DOSER PRESSURE SPRING
58	1343903	STAR (MALE)
59	1240941	UPPER MICROSWITCH ASSEMBLY
61	1385901	COFFEE TAMPER ø 53 mm
61	1385902	COFFEE TAMPER ø 54.5 mm
61	1385903	COFFEE TAMPER ø 57.5 mm
62	1252091	COMPENSATION RING ø 32 mm
63	1252092	PAWL FOR COFFEE GRINDER/DOSER
64	1252093	ST.STEEL SCREW FOR DOSING ADJUST. M8x70
65	1250921	LOWER MICRORELEASE SPRING
66	1343904	LOWER MICROSWITCH STAR
67	1240942	MICROSWITCH CROUZET U83161.3
68	1252094	COUNTER FOR COFFEE GRINDER
69	1250922	DOSER LEVER RETURN SPRING
70	1252095	DOSER RETAINER
72	1250923	RETAINER SPRING
74	1252097	DOSER LEVER ASSEMBLY
75	1252442	COFFEE OUTLET PROTECTION
77	1252098	DOSER WASHER
78	1343905	LOWER MICROSWITCH STAR SPACER
79	1252099	"DANGER" LABEL
82	1343907	STAR WITH ADJUSTMENT KNOB



GRINDER ASSEMBLY SUPER JOLLY

SUPER JOLLY





MAZZER

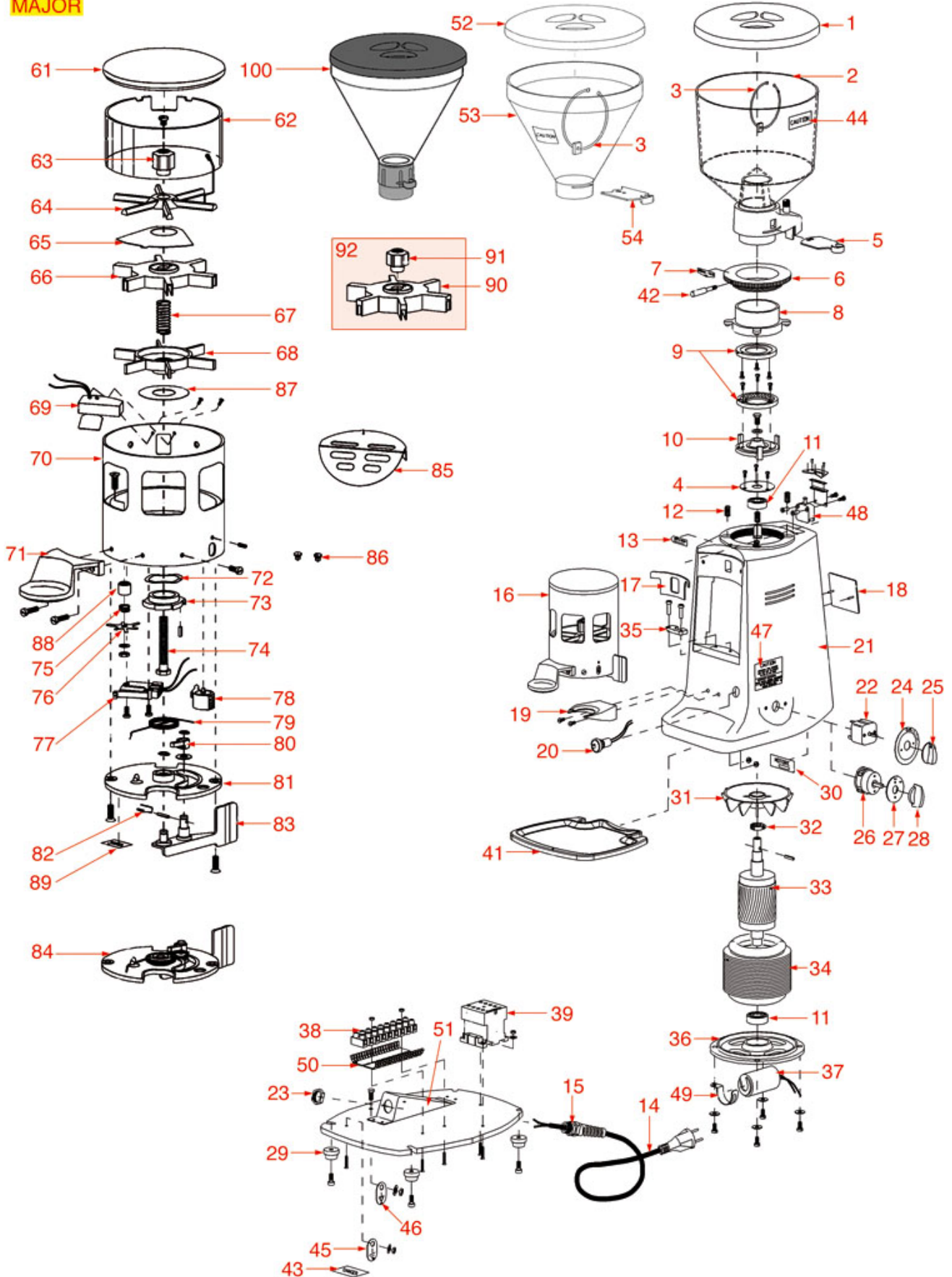


Pos.	LF code no.	Description	Pos.	LF code no.	Description
1	1252061	COFFEE HOPPER LID ø 210 mm	75	1252443	COFFEE OUTLET PROTECTION
2	1080915	COFFEE HOPPER	77	1252098	DOSER WASHER
4	1063008	BEARING CAP ø 52 mm	78	1343905	LOWER MICROSWITCH STAR SPACER
5	1252063	COFFEE HOPPER CLOSING SHEET	79	1252099	"DANGER" LABEL
6	1252902	ADJUSTMENT RING	82	1343907	STAR WITH ADJUSTMENT KNOB
7	1009006	COARSE-FINE LABEL	100	1080079	COFFEE HOPPER COMPLETE
8	1251920	UPPER BURRS HOLDER			
9	1251056	GRINDING BURRS PAIR MAZZER 3-PH. RH			
9	1251700	GRINDING BURRS PAIR MAZZER 1-PH. RH			
9	1251929	GRINDING BURRS PAIR MAZZER 1-PH. RH			
9	1251930	GRINDING BURRS PAIR MAZZER 3-PH. RH			
9	1251935	GRINDING BURRS PAIR MAZZER 1-PH. RH			
10	1251921	LOWER BURRS HOLDER			
11	3063005	BEARING 6202 DDU NSK			
12	1250065	SPRING ø 10x23.6 mm			
13	1240927	MOTOR ROTATION LABEL			
17	1186906	AER-STOP GASKET			
18	1252066	LABEL 4M MAZZER			
19	1252082	FILTER HOLDER FORK			
20	1221901	INDICATOR LIGHT GREEN 250/400V			
22	1446900	TIMER 50 SECONDS 16A 250V			
22	1446901	TIMER 50 SECONDS 3-POLES			
24	1446902	TIMER LABEL			
25	1446903	TIMER KNOB			
26	1057902	SELECTOR SWITCH 0-1 POSITIONS 20A 690V			
26	1057903	SELECTOR SWITCH 0-1-START POSITIONS 20A			
26	1057904	SELECTOR SWITCH 0-1- POSITIONS 20A 690V			
26	1319001	SELECTOR SWITCH 0-1 POSITIONS 20A 690V			
27	1252067	LABEL FOR SELECTOR SWITCH 0-1 POSITIONS			
28	1241542	KNOB SELECTOR SWITCH BLACK ø 33 mm			
29	1313903	FOOT COMPLETE M5x0.75			
31	1240922	ROTOR SUPER JOLLY			
32	1240917	WOUND STATOR 230/400V 50Hz			
32	1240918	WOUND STATOR 220/240V 50Hz			
34	3068014	CAPACITOR DUCATI ENERGIA 8µF			
34	3068016	CAPACITOR DUCATI ENERGIA 10µF			
36	1454902	CONTACTOR LOVATO BG0910A			
36	3446556	CONTACTOR LOVATO BG0910A			
38	1252900	COFFEE COLLECTING TRAY			
39	1324906	ADJUSTMENT RING PIN M5			
40	1252099	"DANGER" LABEL			
41	1009007	CAUTION-HOPPER LABEL			
44	1009008	CAUTION-FIRE LABEL			
51	1252086	DOSER LID ø 125 mm			
52	1252087	DOSER CYLINDER ø 120x68 mm			
53	1241909	SMALL CONTROL HANDLE			
54	1343010	UPPER STAR WITH PIN			
55	1252088	CLOSING SECTOR			
56	1343902	STAR (FEMALE)			
57	1252089	DOSER PRESSURE SPRING			
58	1343903	STAR (MALE)			
59	1240941	UPPER MICROSWITCH ASSEMBLY			
61	1385901	COFFEE TAMPER ø 53 mm			
61	1385902	COFFEE TAMPER ø 54.5 mm			
61	1385903	COFFEE TAMPER ø 57.5 mm			
62	1252091	COMPENSATION RING ø 32 mm			
63	1252092	PAWL FOR COFFEE GRINDER/DOSER			
64	1252093	ST.STEEL SCREW FOR DOSING ADJUST. M8x70			
65	1250921	LOWER MICRORELEASE SPRING			
66	1343904	LOWER MICROSWITCH STAR			
67	1240942	MICROSWITCH CROUZET U83161.3			
68	1252094	COUNTER FOR COFFEE GRINDER			
69	1250922	DOSER LEVER RETURN SPRING			
70	1252095	DOSER RETAINER			
72	1250923	RETAINER SPRING			
74	1252097	DOSER LEVER ASSEMBLY			



GRINDER ASSEMBLY MAJOR

MAJOR





MAZZER

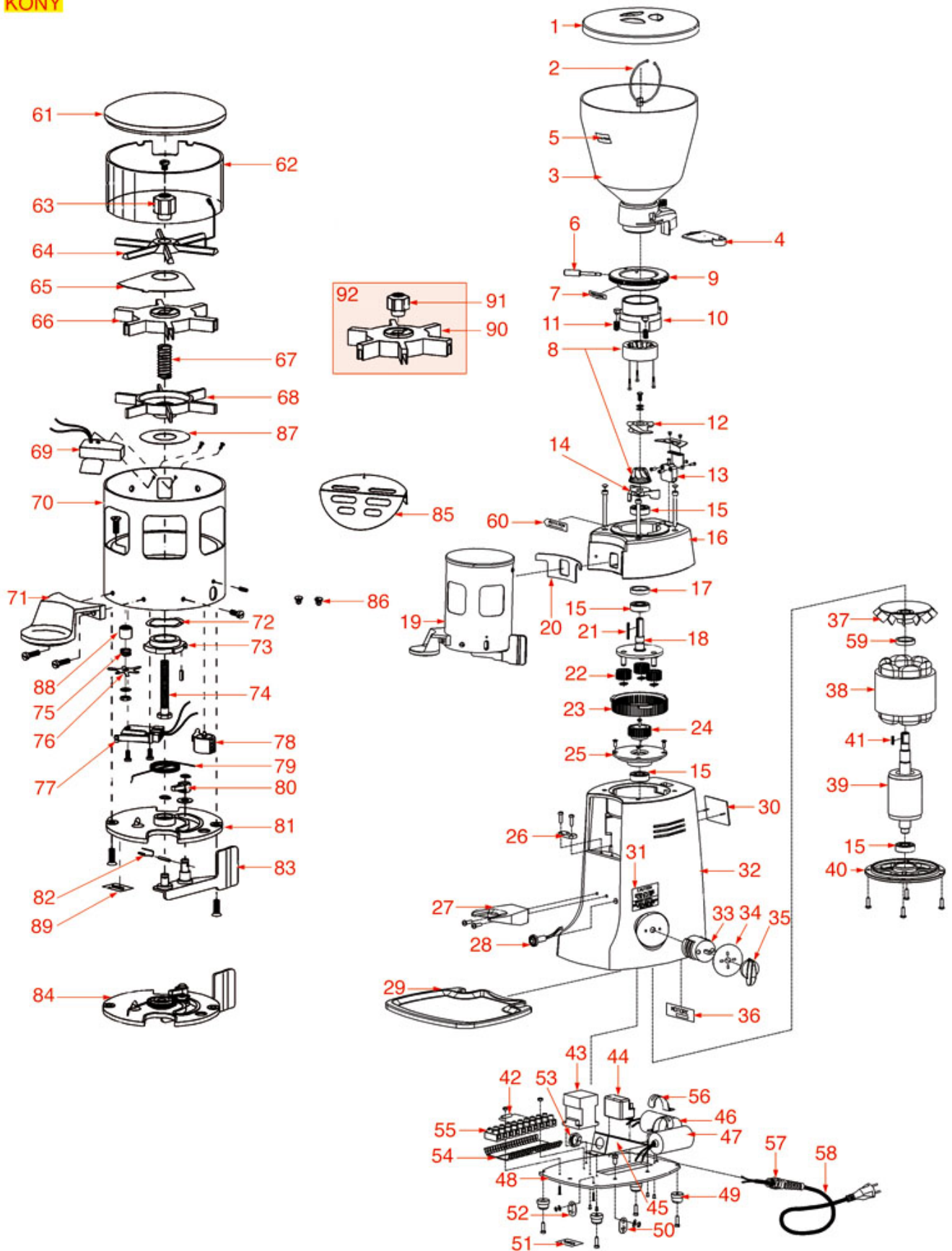


Pos.	LF code no.	Description	Pos.	LF code no.	Description
1	1252061	COFFEE HOPPER LID ø 210 mm	82	1250923	RETAINER SPRING
2	1080916	COFFEE HOPPER COMPLETE	84	1252097	DOSER LEVER ASSEMBLY
4	1063902	BEARING CAP MAJOR	85	1252443	COFFEE OUTLET PROTECTION
5	1252081	CLOSING SHEET FOR COFFEE HOPPER	87	1252098	DOSER WASHER
6	1252064	GRINDING ADJUSTMENT RING	88	1343905	LOWER MICROSWITCH STAR SPACER
7	1009006	COARSE-FINE LABEL	89	1252099	"DANGER" LABEL
9	1251118	GRINDING BURRS PAIR MAZZER 1-PH. RH	92	1343907	STAR WITH ADJUSTMENT KNOB
9	1251178	GRINDING BURRS PAIR MAZZER 3-PH. RH	100	1080079	COFFEE HOPPER COMPLETE
9	1251704	GRINDING BURRS PAIR MAZZER 1-PH. RH			
9	1251927	GRINDING BURRS PAIR MAZZER 1-PH. RH			
9	1251928	GRINDING BURRS PAIR MAZZER 3-PH. RH			
9	1251933	GRINDING BURRS PAIR MAZZER 3-PH. RH			
10	1251919	LOWER BURRS HOLDER			
11	1063901	BEARING 6204 DDU NSK			
12	1250065	SPRING ø 10x23.6 mm			
13	1240927	MOTOR ROTATION LABEL			
17	1186906	AER-STOP GASKET			
18	1252066	LABEL 4M MAZZER			
19	1252082	FILTER HOLDER FORK			
20	1221901	INDICATOR LIGHT GREEN 250/400V			
22	1446900	TIMER 50 SECONDS 16A 250V			
22	1446901	TIMER 50 SECONDS 3-POLES			
24	1446902	TIMER LABEL			
25	1446903	TIMER KNOB			
26	1057902	SELECTOR SWITCH 0-1 POSITIONS 20A 690V			
26	1057903	SELECTOR SWITCH 0-1-START POSITIONS 20A			
26	1057904	SELECTOR SWITCH 0-1- POSITIONS 20A 690V			
26	1319001	SELECTOR SWITCH 0-1 POSITIONS 20A 690V			
27	1252067	LABEL FOR SELECTOR SWITCH 0-1 POSITIONS			
28	1241542	KNOB SELECTOR SWITCH BLACK ø 33 mm			
29	1313903	FOOT COMPLETE M5x0.75			
31	1240924	FAN FOR MOTOR			
37	3068024	CAPACITOR DUCATI ENERGIA 16µF			
39	1454902	CONTACTOR LOVATO BG0910A			
39	3446556	CONTACTOR LOVATO BG0910A			
41	1252900	COFFEE COLLECTING TRAY			
42	1324906	ADJUSTMENT RING PIN M5			
43	1252099	"DANGER" LABEL			
44	1009007	CAUTION-HOPPER LABEL			
47	1009008	CAUTION-FIRE LABEL			
48	1319903	SAFETY SWITCH SAIA-BURGESS			
52	1252061	COFFEE HOPPER LID ø 210 mm			
53	1080915	COFFEE HOPPER			
54	1252063	COFFEE HOPPER CLOSING SHEET			
61	1252086	DOSER LID ø 125 mm			
62	1252103	DOSER CYLINDER			
63	1241909	SMALL CONTROL HANDLE			
64	1343010	UPPER STAR WITH PIN			
65	1252088	CLOSING SECTOR			
66	1343902	STAR (FEMALE)			
67	1252089	DOSER PRESSURE SPRING			
68	1343903	STAR (MALE)			
69	1240941	UPPER MICROSWITCH ASSEMBLY			
70	1252090	DOSER CYLINDER ø 122x182 mm			
71	1385901	COFFEE TAMPER ø 53 mm			
71	1385902	COFFEE TAMPER ø 54.5 mm			
71	1385903	COFFEE TAMPER ø 57.5 mm			
72	1252091	COMPENSATION RING ø 32 mm			
73	1252092	PAWL FOR COFFEE GRINDER/DOSER			
74	1252093	ST.STEEL SCREW FOR DOSING ADJUST. M8x70			
75	1250921	LOWER MICRORELEASE SPRING			
76	1343904	LOWER MICROSWITCH STAR			
77	1240942	MICROSWITCH CROUZET U83161.3			
78	1252094	COUNTER FOR COFFEE GRINDER			
79	1250922	DOSER LEVER RETURN SPRING			
80	1252095	DOSER RETAINER			



GRINDER ASSEMBLY KONY

KONY



MZ0401



MAZZER

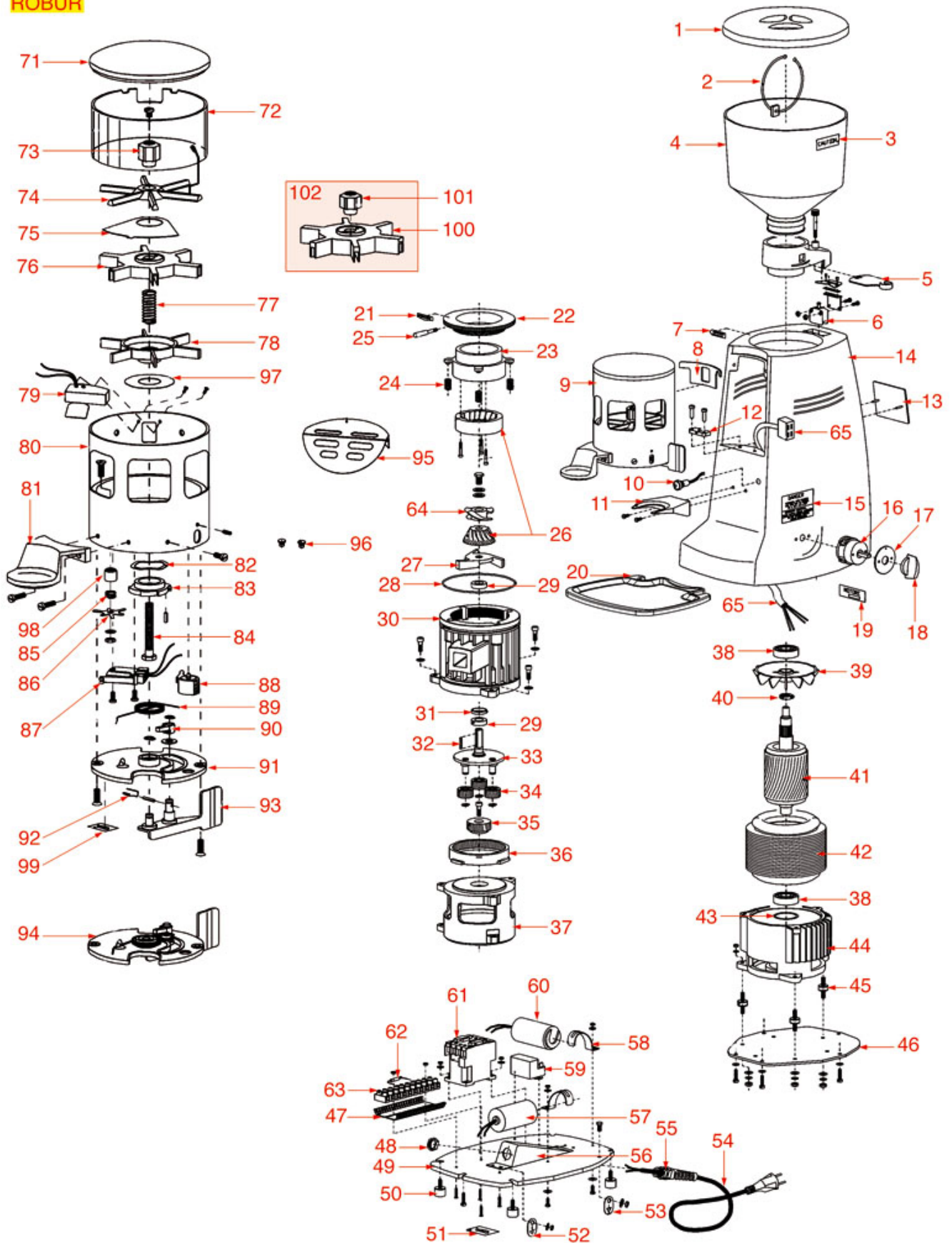


Position	LF code no.	Description
1	1252061	COFFEE HOPPER LID ø 210 mm
3	1080027	COFFEE HOPPER
4	1252081	CLOSING SHEET FOR COFFEE HOPPER
5	1009007	CAUTION-HOPPER LABEL
6	1324906	ADJUSTMENT RING PIN M5
7	1009006	COARSE-FINE LABEL
8	1251020	GRINDING BURRS P. MAZZER 1-PH. CONIC RH
8	1251026	GRINDING BURRS P. MAZZER 3-PH. CONIC RH
8	1251179	GRINDING BURRS P. MAZZER 1-PH. CONIC RH
8	1251180	GRINDING BURRS P. MAZZER 3-PH. CONIC RH
9	1252902	ADJUSTMENT RING
11	1250065	SPRING ø 10x23.6 mm
13	1319903	SAFETY SWITCH SAIA-BURGESS
14	1251027	GRINDING BURRS BOTTOM HOLDER SINGLE-PH.
15	3063005	BEARING 6202 DDU NSK
18	1252450	3-PHASE SHAFT WITH 3 PINS
20	1186906	AER-STOP GASKET
22	1212007	REDUCTION GEAR ø 28 mm 17 TEETH
23	1212008	REDUCTION GEAR ø 100
24	1212009	REDUCTION GEAR ø 41 mm 25 TEETH
27	1252082	FILTER HOLDER FORK
28	1221901	INDICATOR LIGHT GREEN 250/400V
29	1252900	COFFEE COLLECTING TRAY
30	1252066	LABEL 4M MAZZER
33	1057903	SELECTOR SWITCH 0-1-START POSITIONS 20A
33	1057904	SELECTOR SWITCH 0-1- POSITIONS 20A 690V
38	1240917	WOUND STATOR 230/400V 50Hz
38	1240918	WOUND STATOR 220/240V 50Hz
39	1240922	ROTOR SUPER JOLLY
43	1454902	CONTACTOR LOVATO BG0910A
43	3446556	CONTACTOR LOVATO BG0910A
44	1252904	START RELAY 4CR-1-670 28Z9R
46	3068016	CAPACITOR DUCATI ENERGIA 10µF
49	1313903	FOOT COMPLETE M5x0.75
51	1252099	"DANGER" LABEL
60	1240927	MOTOR ROTATION LABEL
61	1252086	DOSER LID ø 125 mm
62	1252087	DOSER CYLINDER ø 120x68 mm
63	1241909	SMALL CONTROL HANDLE
64	1343010	UPPER STAR WITH PIN
65	1252088	CLOSING SECTOR
66	1343902	STAR (FEMALE)
67	1252089	DOSER PRESSURE SPRING
68	1343903	STAR (MALE)
69	1240941	UPPER MICROSWITCH ASSEMBLY
71	1385901	COFFEE TAMPER ø 53 mm
71	1385902	COFFEE TAMPER ø 54.5 mm
71	1385903	COFFEE TAMPER ø 57.5 mm
72	1252091	COMPENSATION RING ø 32 mm
73	1252092	PAWL FOR COFFEE GRINDER/DOSER
74	1252093	ST.STEEL SCREW FOR DOSING ADJUST. M8x70
75	1250921	LOWER MICRORELEASE SPRING
76	1343904	LOWER MICROSWITCH STAR
77	1240942	MICROSWITCH CROUZET U83161.3
78	1252094	COUNTER FOR COFFEE GRINDER
79	1250922	DOSER LEVER RETURN SPRING
80	1252095	DOSER RETAINER
82	1250923	RETAINER SPRING
84	1252097	DOSER LEVER ASSEMBLY
85	1252443	COFFEE OUTLET PROTECTION
87	1252098	DOSER WASHER
88	1343905	LOWER MICROSWITCH STAR SPACER
89	1252099	"DANGER" LABEL
92	1343907	STAR WITH ADJUSTMENT KNOB



GRINDER ASSEMBLY ROBUR

ROBUR



MZ0501



MAZZER

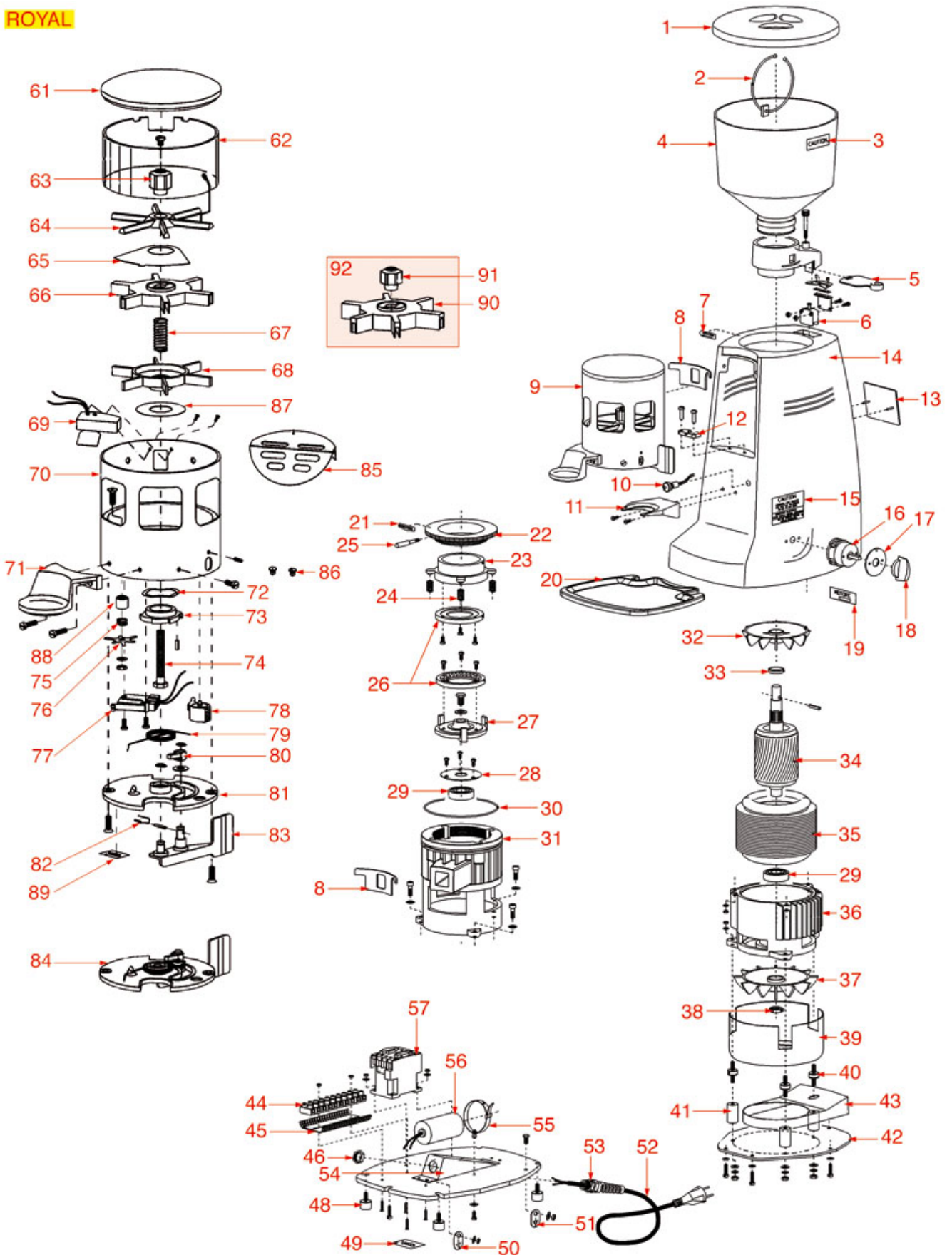


Pos.	LF code no.	Description	Pos.	LF code no.	Description
1	1252061	COFFEE HOPPER LID ø 210 mm	95	1252443	COFFEE OUTLET PROTECTION
3	1009007	CAUTION-HOPPER LABEL	97	1252098	DOSER WASHER
4	1080916	COFFEE HOPPER COMPLETE	98	1343905	LOWER MICROSWITCH STAR SPACER
5	1252081	CLOSING SHEET FOR COFFEE HOPPER	99	1252099	"DANGER" LABEL
6	1319903	SAFETY SWITCH SAIA-BURGESS	102	1343907	STAR WITH ADJUSTMENT KNOB
7	1240927	MOTOR ROTATION LABEL			
8	1186906	AER-STOP GASKET			
10	1221901	INDICATOR LIGHT GREEN 250/400V			
11	1252082	FILTER HOLDER FORK			
13	1252066	LABEL 4M MAZZER			
16	1057903	SELECTOR SWITCH 0-1-START POSITIONS 20A			
16	1057904	SELECTOR SWITCH 0-1- POSITIONS 20A 690V			
18	1241542	KNOB SELECTOR SWITCH BLACK ø 33 mm			
20	1252900	COFFEE COLLECTING TRAY			
21	1009006	COARSE-FINE LABEL			
22	1252064	GRINDING ADJUSTMENT RING			
23	1251923	THREE-PHASE UPPER GRINDING BURRS HOLDER			
24	1250065	SPRING ø 10x23.6 mm			
25	1324906	ADJUSTMENT RING PIN M5			
26	1251181	GRINDING BURRS P. 1-PH. MAZZER CONIC RH			
26	1251201	GRINDING BURRS P. 1-PH. MAZZER CONIC RH			
26	1251705	GRINDING BURRS P. 3-PH. MAZZER CONIC RH			
26	1251913	GRINDING BURRS P. 3-PH. MAZZER CONIC RH			
26	1251914	GRINDING BURRS P. 1-PH. MAZZER CONIC RH			
27	1251924	LOWER BURRS HOLDER			
29	3063005	BEARING 6202 DDU NSK			
33	1252450	3-PHASE SHAFT WITH 3 PINS			
34	1212007	REDUCTION GEAR ø 28 mm 17 TEETH			
35	1212009	REDUCTION GEAR ø 41 mm 25 TEETH			
36	1212008	REDUCTION GEAR ø 100			
38	1063901	BEARING 6204 DDU NSK			
39	1240924	FAN FOR MOTOR			
50	1313904	FOOT ø 20x16 mm M6			
51	1252099	"DANGER" LABEL			
57	3068024	CAPACITOR DUCATI ENERGIA 16µF			
59	1252904	START RELAY 4CR-1-670 28Z9R			
59	1252905	START RELAY 4CR-1-681 18V0R			
60	3068024	CAPACITOR DUCATI ENERGIA 16µF			
60	3068027	CAPACITOR DUCATI ENERGIA 20µF			
61	1454905	CONTACTO-RING LOVATO BF1810A			
61	3446582	CONTACTOR LOVATO BF1810A			
62	1755900	HEATING ELEMENT 220 K Ohm 2W			
71	1252086	DOSER LID ø 125 mm			
72	1252103	DOSER CYLINDER			
73	1241909	SMALL CONTROL HANDLE			
74	1343901	COFFEE STIRRING STAR WITH ROD			
75	1252088	CLOSING SECTOR			
76	1343902	STAR (FEMALE)			
77	1252089	DOSER PRESSURE SPRING			
78	1343903	STAR (MALE)			
79	1240941	UPPER MICROSWITCH ASSEMBLY			
80	1252090	DOSER CYLINDER ø 122x182 mm			
81	1385901	COFFEE TAMPER ø 53 mm			
81	1385902	COFFEE TAMPER ø 54.5 mm			
81	1385903	COFFEE TAMPER ø 57.5 mm			
82	1252091	COMPENSATION RING ø 32 mm			
83	1252092	PAWL FOR COFFEE GRINDER/DOSER			
84	1252093	ST.STEEL SCREW FOR DOSING ADJUST. M8x70			
85	1250921	LOWER MICRORELEASE SPRING			
86	1343904	LOWER MICROSWITCH STAR			
87	1240942	MICROSWITCH CROUZET U83161.3			
88	1252094	COUNTER FOR COFFEE GRINDER			
89	1250922	DOSER LEVER RETURN SPRING			
90	1252095	DOSER RETAINER			
92	1250923	RETAINER SPRING			
94	1252097	DOSER LEVER ASSEMBLY			



GRINDER ASSEMBLY ROYAL

ROYAL



MZ0601

Positions without LF code no.: upon request



MAZZER

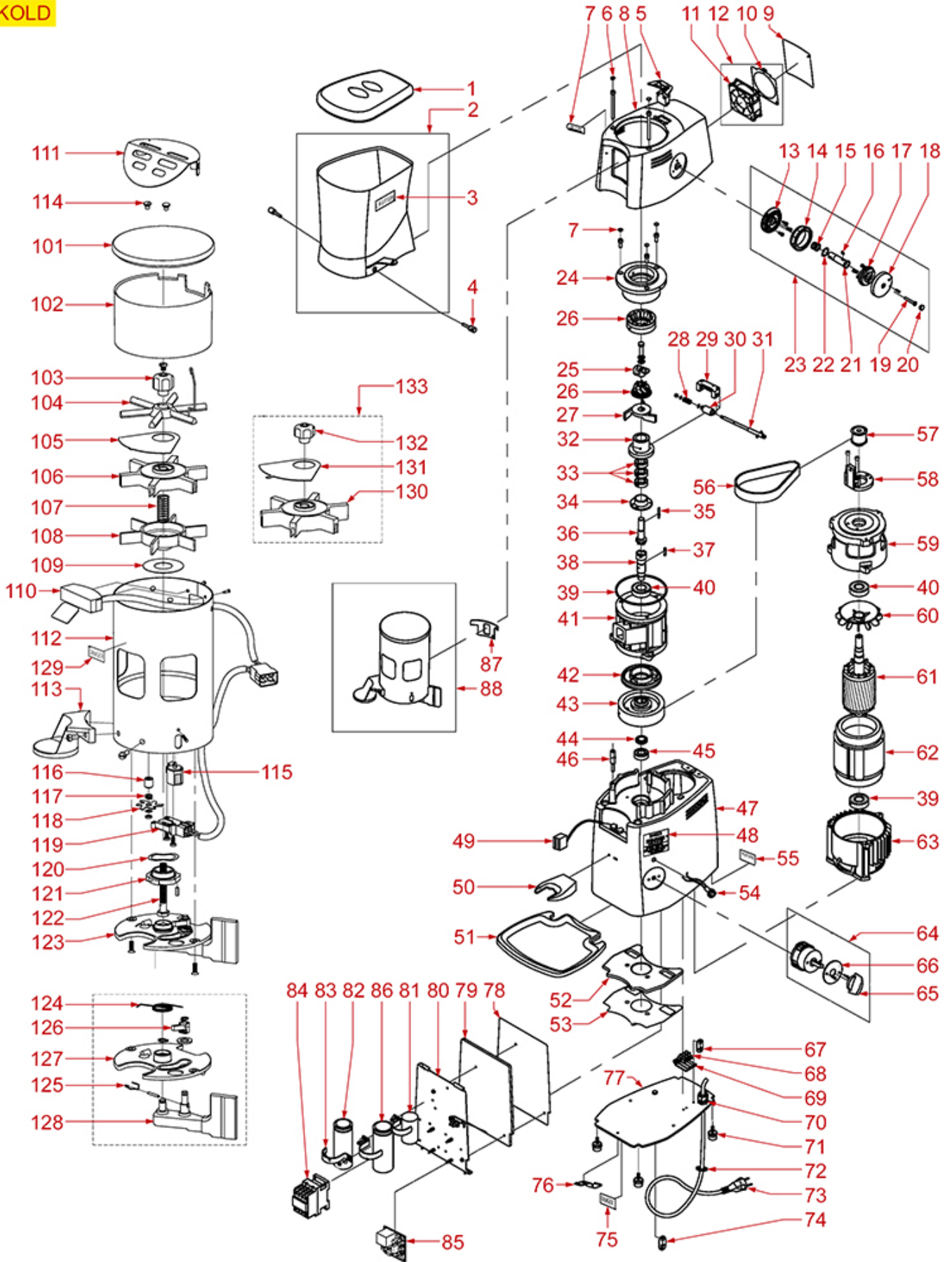


Position	LF code no.	Description
1	1252061	COFFEE HOPPER LID ø 210 mm
3	1009007	CAUTION-HOPPER LABEL
4	1080916	COFFEE HOPPER COMPLETE
5	1252081	CLOSING SHEET FOR COFFEE HOPPER
6	1319903	SAFETY SWITCH SAIA-BURGESS
7	1240927	MOTOR ROTATION LABEL
8	1186906	AER-STOP GASKET
10	1221901	INDICATOR LIGHT GREEN 250/400V
11	1252082	FILTER HOLDER FORK
13	1252066	LABEL 4M MAZZER
16	1057903	SELECTOR SWITCH 0-1-START POSITIONS 20A
16	1057904	SELECTOR SWITCH 0-1- POSITIONS 20A 690V
18	1241542	KNOB SELECTOR SWITCH BLACK ø 33 mm
20	1252900	COFFEE COLLECTING TRAY
21	1009006	COARSE-FINE LABEL
22	1252064	GRINDING ADJUSTMENT RING
24	1250065	SPRING ø 10x23.6 mm
25	1324906	ADJUSTMENT RING PIN M5
26	1251178	GRINDING BURRS PAIR MAZZER 3-PH. RH
26	1251928	GRINDING BURRS PAIR MAZZER 3-PH. RH
26	1251933	GRINDING BURRS PAIR MAZZER 3-PH. RH
27	1251919	LOWER BURRS HOLDER
28	1063902	BEARING CAP MAJOR
29	1063901	BEARING 6204 DDU NSK
32	1240924	FAN FOR MOTOR
48	1313904	FOOT ø 20x16 mm M6
49	1252099	"DANGER" LABEL
56	3068024	CAPACITOR DUCATI ENERGIA 16µF
57	1454905	CONTACTO-RING LOVATO BF1810A
57	3446582	CONTACTOR LOVATO BF1810A
61	1252086	DOSER LID ø 125 mm
62	1252103	DOSER CYLINDER
63	1241909	SMALL CONTROL HANDLE
64	1343901	COFFEE STIRRING STAR WITH ROD
65	1252088	CLOSING SECTOR
66	1343902	STAR (FEMALE)
67	1252089	DOSER PRESSURE SPRING
68	1343903	STAR (MALE)
69	1240941	UPPER MICROSWITCH ASSEMBLY
70	1252090	DOSER CYLINDER ø 122x182 mm
71	1385901	COFFEE TAMPER ø 53 mm
71	1385902	COFFEE TAMPER ø 54.5 mm
71	1385903	COFFEE TAMPER ø 57.5 mm
72	1252091	COMPENSATION RING ø 32 mm
73	1252092	PAWL FOR COFFEE GRINDER/DOSER
74	1252093	ST.STEEL SCREW FOR DOSING ADJUST. M8x70
75	1250921	LOWER MICRORELEASE SPRING
76	1343904	LOWER MICROSWITCH STAR
77	1240942	MICROSWITCH CROUZET U83161.3
78	1252094	COUNTER FOR COFFEE GRINDER
79	1250922	DOSER LEVER RETURN SPRING
80	1252095	DOSER RETAINER
82	1250923	RETAINER SPRING
84	1252097	DOSER LEVER ASSEMBLY
85	1252443	COFFEE OUTLET PROTECTION
87	1252098	DOSER WASHER
88	1343905	LOWER MICROSWITCH STAR SPACER
89	1252099	"DANGER" LABEL
92	1343907	STAR WITH ADJUSTMENT KNOB



GRINDER ASSEMBLY KOLD

KOLD



Positions without LF code no.: upon request



MAZZER

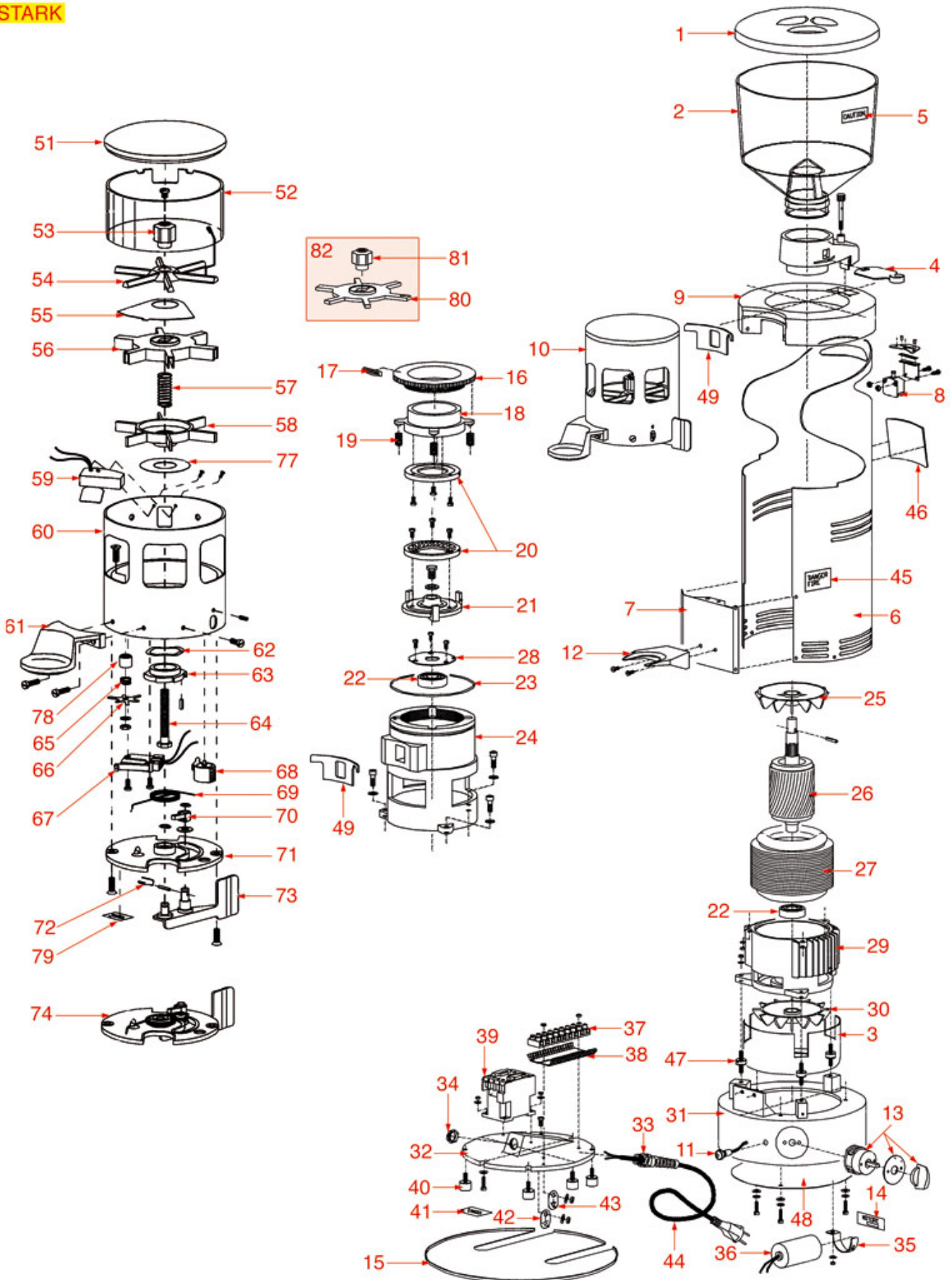


Position	LF code no.	Description
3	1009007	CAUTION-HOPPER LABEL
7	1240927	MOTOR ROTATION LABEL
11	1240053	AXIAL FAN EBM 8412N
26	1251181	GRINDING BURRS P. 1-PH. MAZZER CONIC RH
26	1251705	GRINDING BURRS P. 3-PH. MAZZER CONIC RH
26	1251913	GRINDING BURRS P. 3-PH. MAZZER CONIC RH
26	1251914	GRINDING BURRS P. 1-PH. MAZZER CONIC RH
27	1251924	LOWER BURRS HOLDER
33	3063118	BEARING 6002 DDU NSK
40	1063901	BEARING 6204 DDU NSK
45	3063005	BEARING 6202 DDU NSK
50	1252082	FILTER HOLDER FORK
51	1252900	COFFEE COLLECTING TRAY
54	1221901	INDICATOR LIGHT GREEN 250/400V
64	1057903	SELECTOR SWITCH 0-1-START POSITIONS 20A
64	1057904	SELECTOR SWITCH 0-1- POSITIONS 20A 690V
71	1313904	FOOT \varnothing 20x16 mm M6
75	1252099	"DANGER" LABEL
82	3068083	ELECTRIC CAPACITOR 16 μ F
86	3068083	ELECTRIC CAPACITOR 16 μ F
86	3068084	ELECTRIC CAPACITOR 20 μ F
87	1186906	AER-STOP GASKET
101	1252086	DOSER LID \varnothing 125 mm
102	1252103	DOSER CYLINDER
103	1241909	SMALL CONTROL HANDLE
104	1343901	COFFEE STIRRING STAR WITH ROD
105	1252088	CLOSING SECTOR
106	1343902	STAR (FEMALE)
107	1252089	DOSER PRESSURE SPRING
108	1343903	STAR (MALE)
109	1252098	DOSER WASHER
111	1252443	COFFEE OUTLET PROTECTION
112	1252090	DOSER CYLINDER \varnothing 122x182 mm
113	1385901	COFFEE TAMPER \varnothing 53 mm
113	1385902	COFFEE TAMPER \varnothing 54.5 mm
113	1385903	COFFEE TAMPER \varnothing 57.5 mm
115	1252094	COUNTER FOR COFFEE GRINDER
116	1343905	LOWER MICROSWITCH STAR SPACER
117	1250921	LOWER MICRORELEASE SPRING
118	1343904	LOWER MICROSWITCH STAR
119	1240942	MICROSWITCH CROUZET U83161.3
120	1252091	COMPENSATION RING \varnothing 32 mm
121	1252092	PAWL FOR COFFEE GRINDER/DOSER
122	1252093	ST.STEEL SCREW FOR DOSING ADJUST. M8x70
123	1252097	DOSER LEVER ASSEMBLY
124	1250922	DOSER LEVER RETURN SPRING
125	1250923	RETAINER SPRING
126	1252095	DOSER RETAINER
127	1252097	DOSER LEVER ASSEMBLY
128	1252097	DOSER LEVER ASSEMBLY
129	1252099	"DANGER" LABEL
133	1343907	STAR WITH ADJUSTMENT KNOB



GRINDER ASSEMBLY STARK

STARK



MZ0701

Positions without LF code no.: upon request



MAZZER

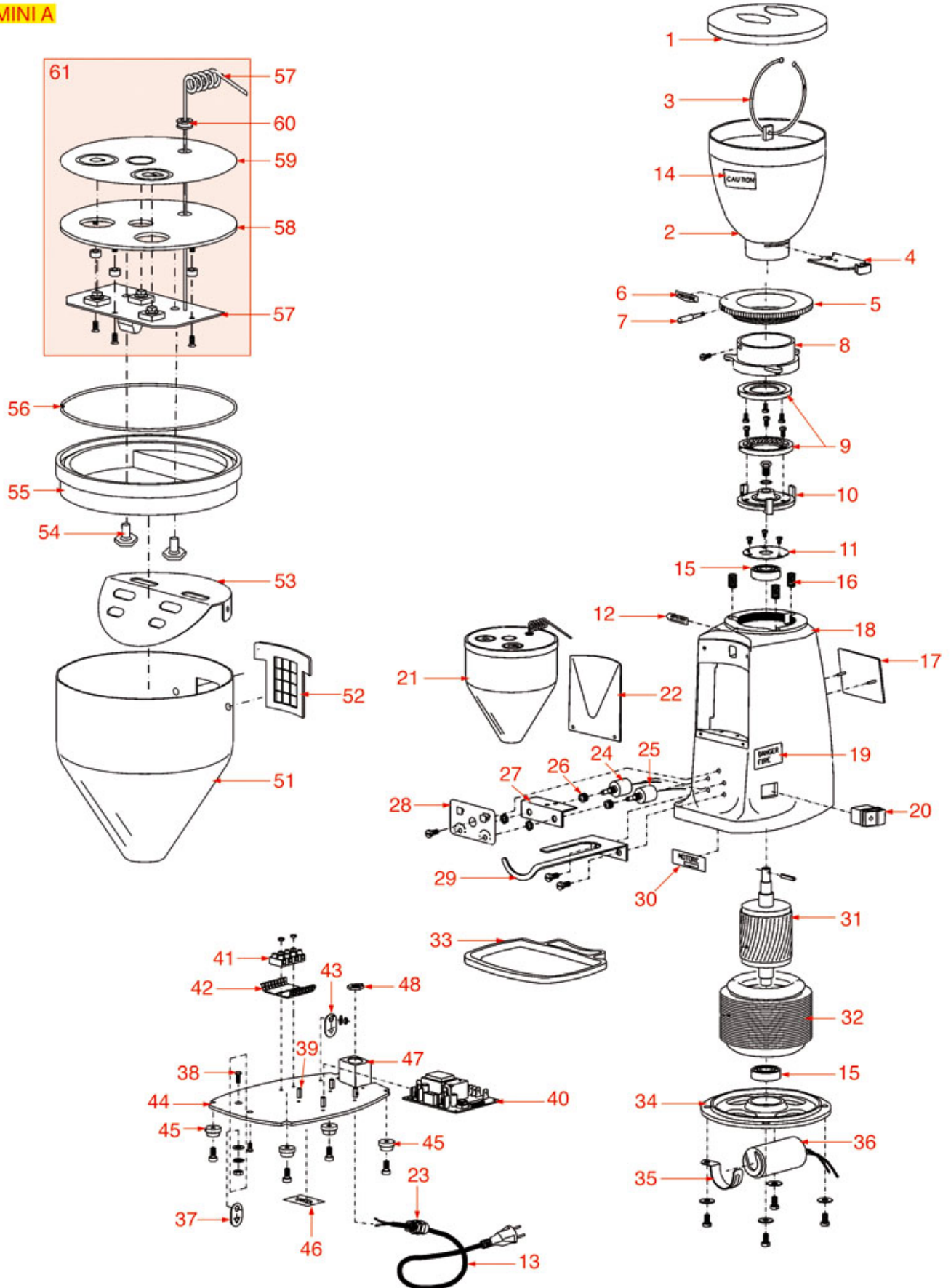


Position	LF code no.	Description
1	1252061	COFFEE HOPPER LID ø 210 mm
2	1080916	COFFEE HOPPER COMPLETE
4	1252081	CLOSING SHEET FOR COFFEE HOPPER
5	1009007	CAUTION-HOPPER LABEL
8	1319903	SAFETY SWITCH SAIA-BURGESS
10	1090904	AUTOMATIC DOSER GROUP
11	1221901	INDICATOR LIGHT GREEN 250/400V
12	1252082	FILTER HOLDER FORK
13	1057903	SELECTOR SWITCH 0-1-START POSITIONS 20A
13	1057904	SELECTOR SWITCH 0-1- POSITIONS 20A 690V
13	1241542	KNOB SELECTOR SWITCH BLACK ø 33 mm
16	1252064	GRINDING ADJUSTMENT RING
17	1009006	COARSE-FINE LABEL
19	1250065	SPRING ø 10x23.6 mm
20	1251178	GRINDING BURRS PAIR MAZZER 3-PH. RH
20	1251928	GRINDING BURRS PAIR MAZZER 3-PH. RH
20	1251933	GRINDING BURRS PAIR MAZZER 3-PH. RH
21	1251919	LOWER BURRS HOLDER
22	1063901	BEARING 6204 DDU NSK
23	3186466	O-RING 04475 EPDM
25	1240924	FAN FOR MOTOR
28	1063902	BEARING CAP MAJOR
36	3068024	CAPACITOR DUCATI ENERGIA 16µF
39	1454905	CONTACTO-RING LOVATO BF1810A
39	3446582	CONTACTOR LOVATO BF1810A
40	1313904	FOOT ø 20x16 mm M6
41	1252099	"DANGER" LABEL
46	1252066	LABEL 4M MAZZER
47	1252084	VIBRATION DAMPER A18x8.5 M
49	1186906	AER-STOP GASKET
51	1252086	DOSER LID ø 125 mm
52	1252087	DOSER CYLINDER ø 120x68 mm
53	1241909	SMALL CONTROL HANDLE
54	1343901	COFFEE STIRRING STAR WITH ROD
55	1252088	CLOSING SECTOR
56	1343902	STAR (FEMALE)
57	1252089	DOSER PRESSURE SPRING
58	1343903	STAR (MALE)
59	1240941	UPPER MICROSWITCH ASSEMBLY
60	1252090	DOSER CYLINDER ø 122x182 mm
61	1385901	COFFEE TAMPER ø 53 mm
61	1385902	COFFEE TAMPER ø 54.5 mm
61	1385903	COFFEE TAMPER ø 57.5 mm
62	1252091	COMPENSATION RING ø 32 mm
63	1252092	PAWL FOR COFFEE GRINDER/DOSER
64	1252093	ST.STEEL SCREW FOR DOSING ADJUST. M8x70
65	1250921	LOWER MICRORELEASE SPRING
66	1343904	LOWER MICROSWITCH STAR
67	1240942	MICROSWITCH CROUZET U83161.3
69	1250922	DOSER LEVER RETURN SPRING
70	1252095	DOSER RETAINER
72	1250923	RETAINER SPRING
74	1252097	DOSER LEVER ASSEMBLY
77	1252098	DOSER WASHER
78	1343905	LOWER MICROSWITCH STAR SPACER
79	1252099	"DANGER" LABEL
82	1343907	STAR WITH ADJUSTMENT KNOB



COFFEE GRINDER ELECTRONIC MINI A

MINI A



MZ0801



MAZZER

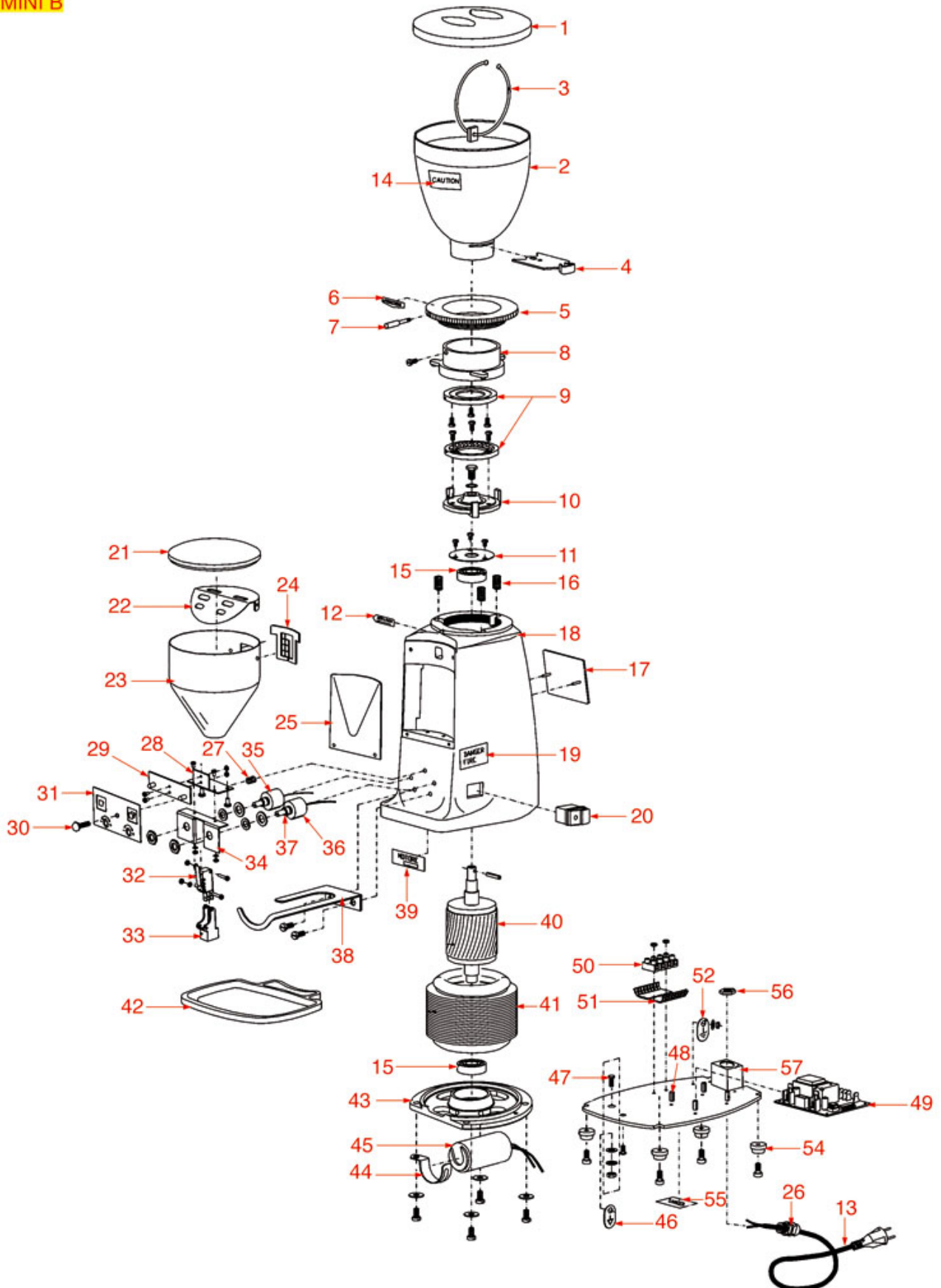


Position	LF code no.	Description
1	1252060	COFFEE HOPPER LID ø 160 mm
2	1080076	COFFEE HOPPER COMPLETE 320 g
2	1252901	COFFEE HOPPER COMPLETE
4	1252063	COFFEE HOPPER CLOSING SHEET
5	1252902	ADJUSTMENT RING
6	1009006	COARSE-FINE LABEL
7	1324906	ADJUSTMENT RING PIN M5
9	1251115	GRINDING BURRS PAIR MAZZER RH
9	1251215	GRINDING BURRS PAIR MAZZER RH
10	1251921	LOWER BURRS HOLDER
11	1063008	BEARING CAP ø 52 mm
12	1240927	MOTOR ROTATION LABEL
14	1009007	CAUTION-HOPPER LABEL
15	3063005	BEARING 6202 DDU NSK
16	1250065	SPRING ø 10x23.6 mm
17	1252066	LABEL 4M MAZZER
20	1319902	BIPOLAR SWITCH BLACK 16A 250V
24	1057010	MULTITURN POTENTIOMETER BLACK ACTUAT.
25	1057011	MULTITURN POTENTIOMETER RED ACTUAT.
28	1009009	DOSE ADJUSTMENT LABEL
29	1162011	FILTER-HOLDER FORK
31	1240929	ROTOR MINI-LUX
33	1252440	COFFEE COLLECTING TRAY
40	1390010	TIMER BOARD 230V 50/60Hz
45	1313903	FOOT COMPLETE M5x0.75
46	1252099	"DANGER" LABEL
52	1186696	FUNNEL GASKET WITH MESH
53	1252442	COFFEE OUTLET PROTECTION



COFFEE GRINDER ELECTRONIC MINI B

MINI B



MZ0901

Positions without LF code no.: upon request



MAZZER

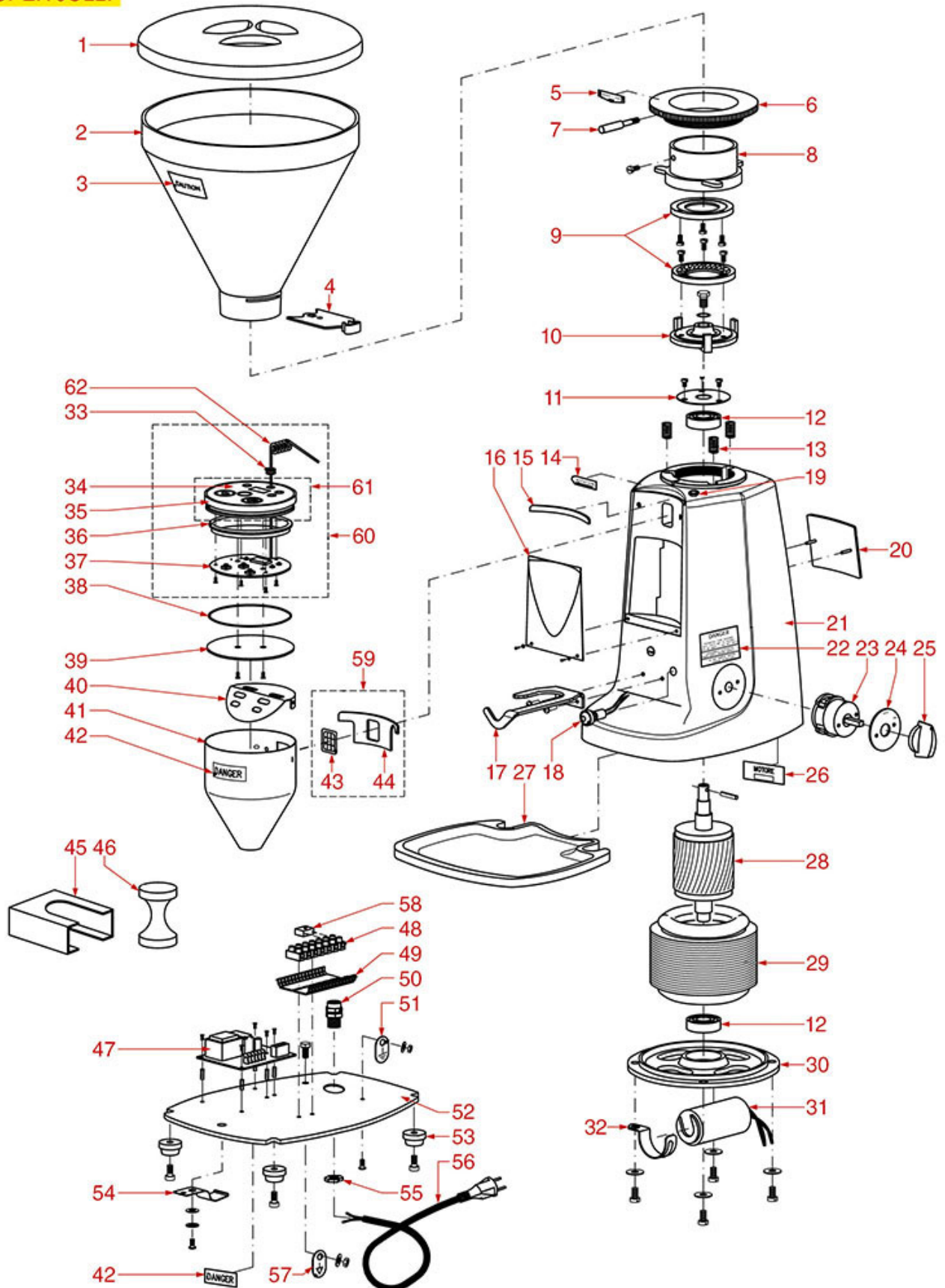


Position	LF code no.	Description
1	1252060	COFFEE HOPPER LID ø 160 mm
2	1080076	COFFEE HOPPER COMPLETE 320 g
2	1252901	COFFEE HOPPER COMPLETE
4	1252063	COFFEE HOPPER CLOSING SHEET
5	1252902	ADJUSTMENT RING
6	1009006	COARSE-FINE LABEL
7	1324906	ADJUSTMENT RING PIN M5
9	1251115	GRINDING BURRS PAIR MAZZER RH
9	1251215	GRINDING BURRS PAIR MAZZER RH
10	1251921	LOWER BURRS HOLDER
11	1063008	BEARING CAP ø 52 mm
12	1240927	MOTOR ROTATION LABEL
14	1009007	CAUTION-HOPPER LABEL
15	3063005	BEARING 6202 DDU NSK
16	1250065	SPRING ø 10x23.6 mm
17	1252066	LABEL 4M MAZZER
20	1319902	BIPOLAR SWITCH BLACK 16A 250V
21	1252086	DOSER LID ø 125 mm
22	1252442	COFFEE OUTLET PROTECTION
24	1186696	FUNNEL GASKET WITH MESH
29	1390013	LED BOARD
31	1009011	DOSE ADJUSTMENT LABEL
32	1240054	MICROSWITCH CROUZET U83161.8
35	1057010	MULTITURN POTENTIOMETER BLACK ACTUAT.
36	1057011	MULTITURN POTENTIOMETER RED ACTUAT.
38	1162011	FILTER-HOLDER FORK
40	1240929	ROTOR MINI-LUX
42	1252439	COFFEE COLLECTING TRAY
45	3068010	CAPACITOR DUCATI ENERGIA 6,3µF
49	1390011	TIMER BOARD 230V 50/60Hz
54	1313903	FOOT COMPLETE M5x0.75
55	1252099	"DANGER" LABEL



COFFEE GRINDER ELECTRONIC SUPER JOLLY

SUPER JOLLY





MAZZER

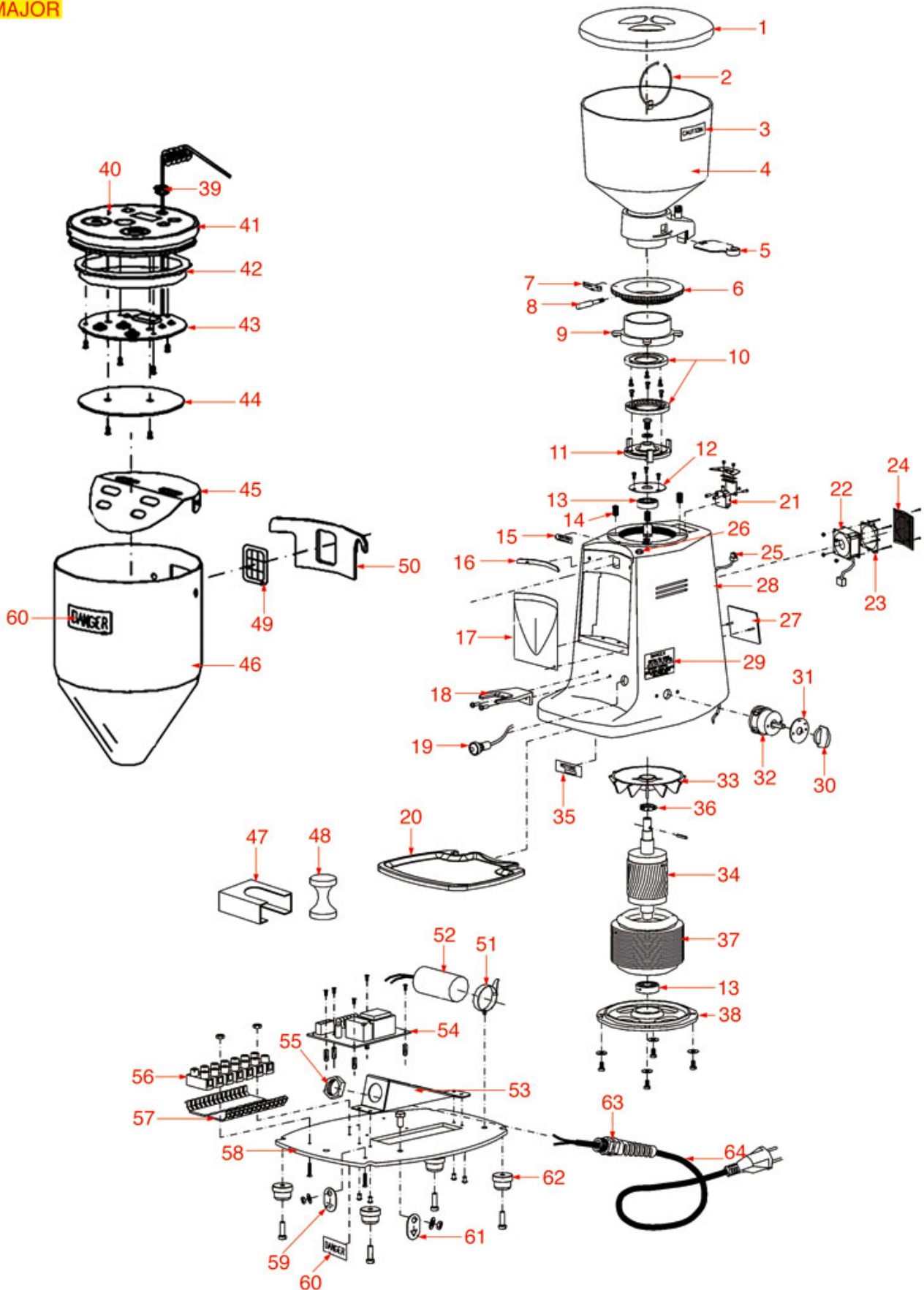


Position	LF code no.	Description
1	1252061	COFFEE HOPPER LID ø 210 mm
2	1080915	COFFEE HOPPER
3	1009007	CAUTION-HOPPER LABEL
4	1252063	COFFEE HOPPER CLOSING SHEET
5	1009006	COARSE-FINE LABEL
6	1252902	ADJUSTMENT RING
7	1324906	ADJUSTMENT RING PIN M5
8	1251920	UPPER BURRS HOLDER
9	1251700	GRINDING BURRS PAIR MAZZER 1-PH. RH
9	1251929	GRINDING BURRS PAIR MAZZER 1-PH. RH
9	1251935	GRINDING BURRS PAIR MAZZER 1-PH. RH
10	1251921	LOWER BURRS HOLDER
11	1063008	BEARING CAP ø 52 mm
12	3063005	BEARING 6202 DDU NSK
13	1250065	SPRING ø 10x23.6 mm
14	1240927	MOTOR ROTATION LABEL
15	1186697	SPOUT UPPER GASKET
16	5501206	MOTOR BACK PLATE 118x94 mm
17	1162020	FILTER HOLDER FORK
18	1221901	INDICATOR LIGHT GREEN 250/400V
20	1252066	LABEL 4M MAZZER
23	1057902	SELECTOR SWITCH 0-1 POSITIONS 20A 690V
27	1252900	COFFEE COLLECTING TRAY
28	1240922	ROTOR SUPER JOLLY
29	1240918	WOUND STATOR 220/240V 50Hz
31	3068014	CAPACITOR DUCATI ENERGIA 8µF
31	3068016	CAPACITOR DUCATI ENERGIA 10µF
34	1009012	COMPLETE ADHESIVE DIAPHRAGM ø 120 mm
35	1009012	COMPLETE ADHESIVE DIAPHRAGM ø 120 mm
37	1390014	PUSH-BUTTON BOARD WITH DISPLAY
40	1252443	COFFEE OUTLET PROTECTION
42	1252099	"DANGER" LABEL
43	1252445	COFFEE FLOW-THROUGH MESH 32x38 mm
44	1186906	AER-STOP GASKET
47	1390012	TIMER BOARD 220/240V
53	1313903	FOOT COMPLETE M5x0.75
61	1009012	COMPLETE ADHESIVE DIAPHRAGM ø 120 mm



COFFEE GRINDER ELECTRONIC MAJOR

MAJOR



MZ1001



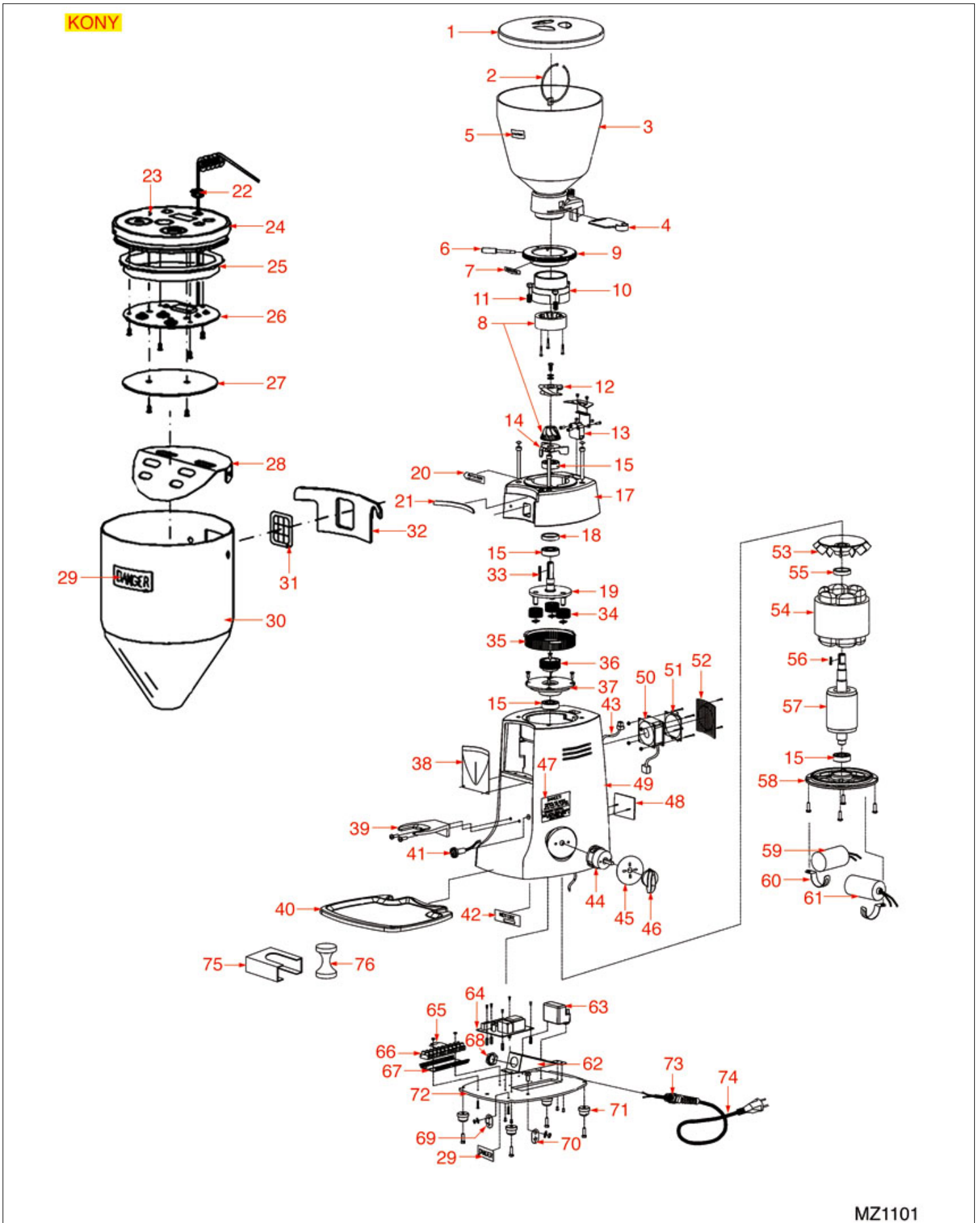
MAZZER



Position	LF code no.	Description
1	1252061	COFFEE HOPPER LID ø 210 mm
3	1009007	CAUTION-HOPPER LABEL
4	1080916	COFFEE HOPPER COMPLETE
5	1252081	CLOSING SHEET FOR COFFEE HOPPER
6	1252064	GRINDING ADJUSTMENT RING
7	1009006	COARSE-FINE LABEL
8	1324906	ADJUSTMENT RING PIN M5
10	1251118	GRINDING BURRS PAIR MAZZER 1-PH. RH
10	1251704	GRINDING BURRS PAIR MAZZER 1-PH. RH
10	1251927	GRINDING BURRS PAIR MAZZER 1-PH. RH
11	1251919	LOWER BURRS HOLDER
12	1063902	BEARING CAP MAJOR
13	1063901	BEARING 6204 DDU NSK
14	1250065	SPRING ø 10x23.6 mm
15	1240927	MOTOR ROTATION LABEL
16	1186697	SPOUT UPPER GASKET
18	1162012	FILTER HOLDER FORK
19	1221901	INDICATOR LIGHT GREEN 250/400V
20	1252900	COFFEE COLLECTING TRAY
21	1319903	SAFETY SWITCH SAIA-BURGESS
22	1240052	AXIAL FAN EBM 612NGH
27	1252066	LABEL 4M MAZZER
30	1241542	KNOB SELECTOR SWITCH BLACK ø 33 mm
31	1252067	LABEL FOR SELECTOR SWITCH 0-1 POSITIONS
32	1057902	SELECTOR SWITCH 0-1 POSITIONS 20A 690V
33	1240924	FAN FOR MOTOR
40	1009012	COMPLETE ADHESIVE DIAPHRAGM ø 120 mm
43	1390014	PUSH-BUTTON BOARD WITH DISPLAY
45	1252443	COFFEE OUTLET PROTECTION
49	1252444	COFFEE FLOW-THROUGH MESH 32x38 mm
49	1252445	COFFEE FLOW-THROUGH MESH 32x38 mm
50	1186906	AER-STOP GASKET
52	3068027	CAPACITOR DUCATI ENERGIA 20µF
54	1390012	TIMER BOARD 220/240V
60	1252099	"DANGER" LABEL
62	1313903	FOOT COMPLETE M5x0.75



COFFEE GRINDER ELECTRONIC KONY



MZ1101

Positions without LF code no.: upon request



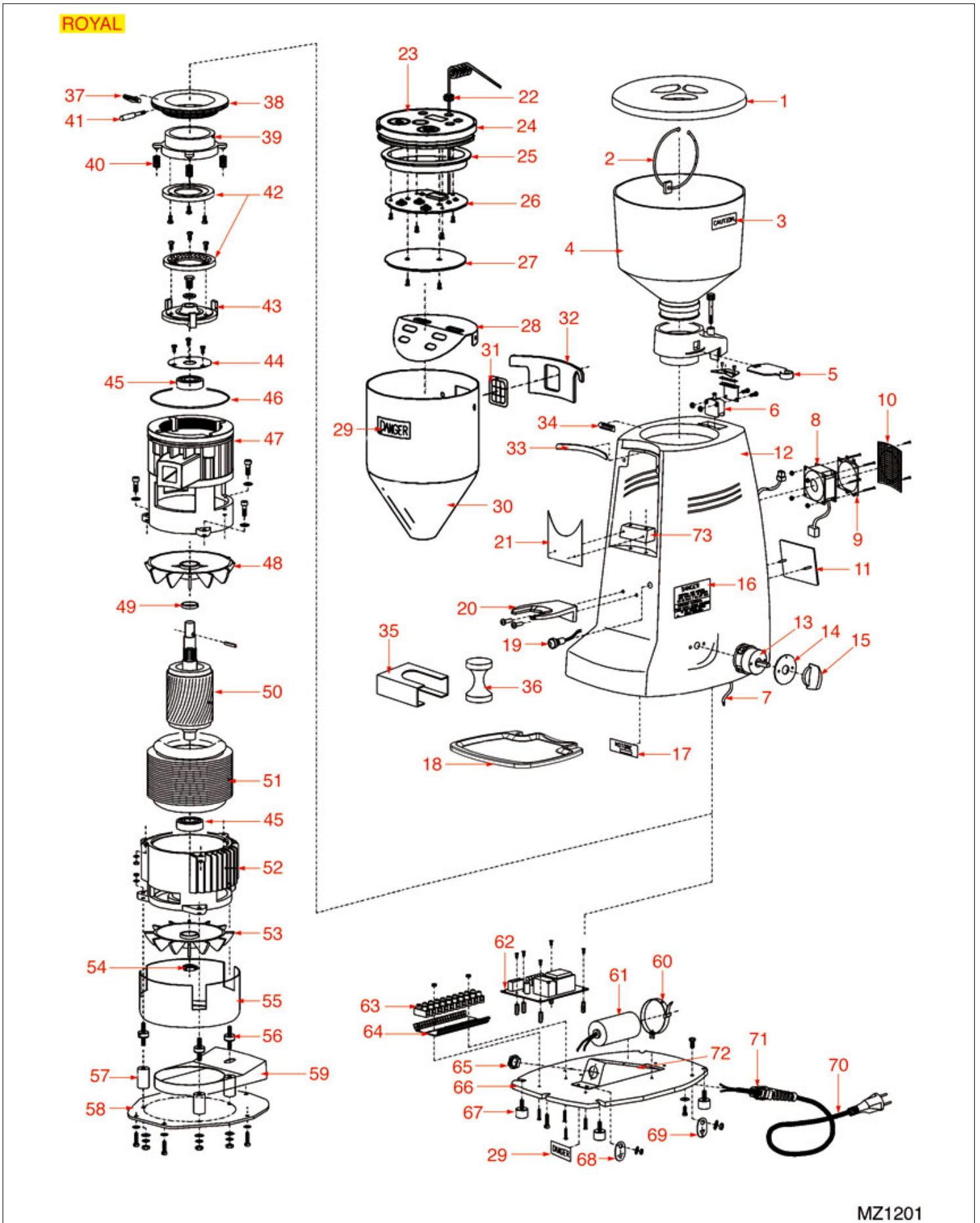
MAZZER



Position	LF code no.	Description
1	1252061	COFFEE HOPPER LID ø 210 mm
3	1080027	COFFEE HOPPER
4	1252081	CLOSING SHEET FOR COFFEE HOPPER
5	1009007	CAUTION-HOPPER LABEL
6	1324906	ADJUSTMENT RING PIN M5
7	1009006	COARSE-FINE LABEL
8	1251020	GRINDING BURRS P. MAZZER 1-PH. CONIC RH
8	1251179	GRINDING BURRS P. MAZZER 1-PH. CONIC RH
9	1252902	ADJUSTMENT RING
11	1250065	SPRING ø 10x23.6 mm
13	1319903	SAFETY SWITCH SAIA-BURGESS
14	1251027	GRINDING BURRS BOTTOM HOLDER SINGLE-PH.
15	3063005	BEARING 6202 DDU NSK
20	1240927	MOTOR ROTATION LABEL
21	1186697	SPOUT UPPER GASKET
23	1009012	COMPLETE ADHESIVE DIAPHRAGM ø 120 mm
26	1390014	PUSH-BUTTON BOARD WITH DISPLAY
28	1252443	COFFEE OUTLET PROTECTION
29	1252099	"DANGER" LABEL
31	1252445	COFFEE FLOW-THROUGH MESH 32x38 mm
32	1186906	AER-STOP GASKET
34	1212007	REDUCTION GEAR ø 28 mm 17 TEETH
35	1212008	REDUCTION GEAR ø 100
36	1212009	REDUCTION GEAR ø 41 mm 25 TEETH
39	1162010	FILTER HOLDER FORK
40	1252900	COFFEE COLLECTING TRAY
41	1221901	INDICATOR LIGHT GREEN 250/400V
44	1057902	SELECTOR SWITCH 0-1 POSITIONS 20A 690V
45	1252067	LABEL FOR SELECTOR SWITCH 0-1 POSITIONS
46	1241542	KNOB SELECTOR SWITCH BLACK ø 33 mm
48	1252066	LABEL 4M MAZZER
50	1240052	AXIAL FAN EBM 612NGH
54	1240918	WOUND STATOR 220/240V 50Hz
57	1240922	ROTOR SUPER JOLLY
59	3068016	CAPACITOR DUCATI ENERGIA 10µF
61	3068019	CAPACITOR DUCATI ENERGIA 12,5µF
64	1390012	TIMER BOARD 220/240V
65	1755900	HEATING ELEMENT 220 K Ohm 2W
71	1313903	FOOT COMPLETE M5x0.75



COFFEE GRINDER ELECTRONIC ROYAL



MZ1201

Positions without LF code no.: upon request



MAZZER

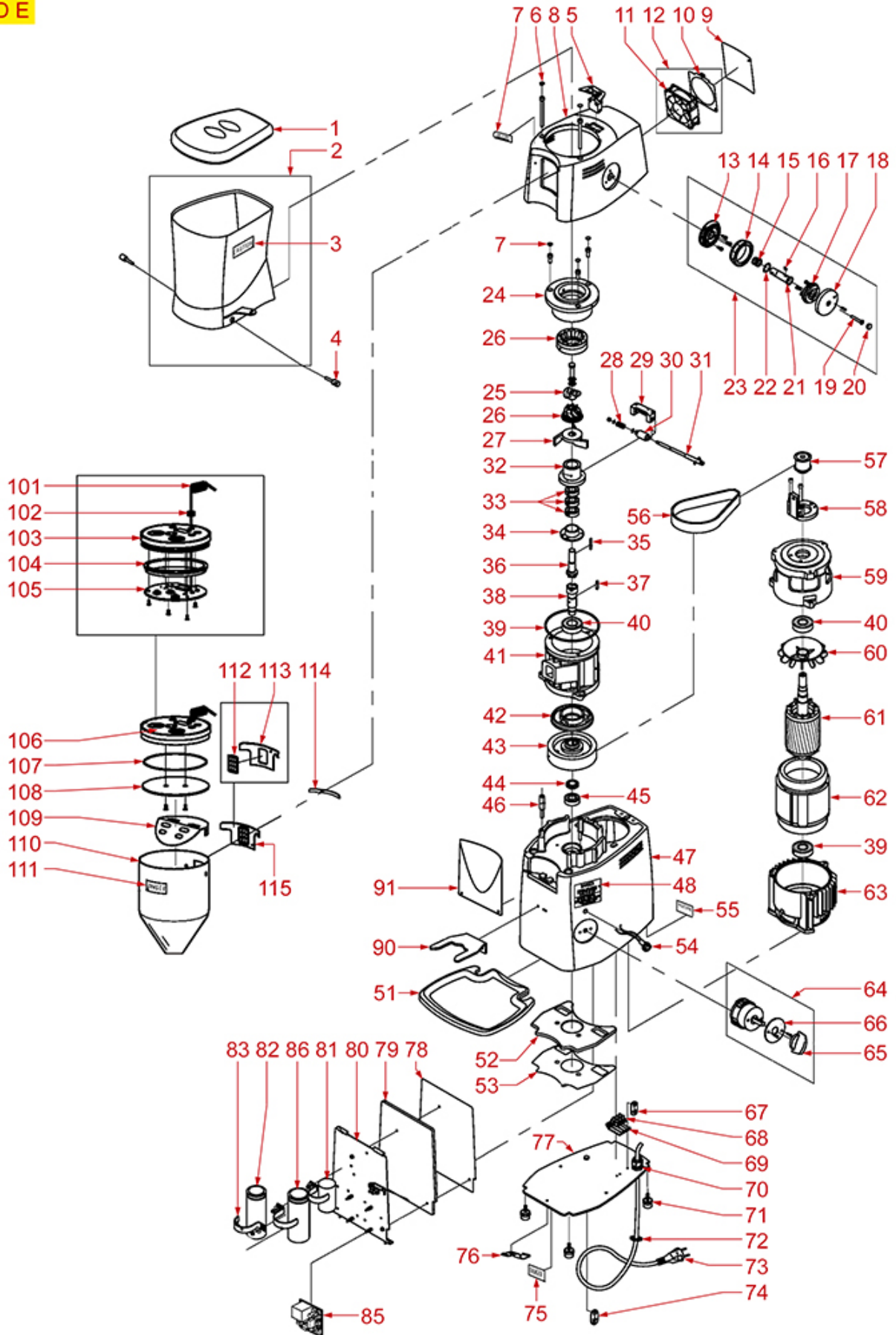


Position	LF code no.	Description
1	1252061	COFFEE HOPPER LID ø 210 mm
3	1009007	CAUTION-HOPPER LABEL
4	1080916	COFFEE HOPPER COMPLETE
5	1252081	CLOSING SHEET FOR COFFEE HOPPER
6	1319903	SAFETY SWITCH SAIA-BURGESS
8	1240053	AXIAL FAN EBM 8412N
11	1252066	LABEL 4M MAZZER
13	1057902	SELECTOR SWITCH 0-1 POSITIONS 20A 690V
14	1252067	LABEL FOR SELECTOR SWITCH 0-1 POSITIONS
15	1241542	KNOB SELECTOR SWITCH BLACK ø 33 mm
18	1252900	COFFEE COLLECTING TRAY
19	1221901	INDICATOR LIGHT GREEN 250/400V
20	1162010	FILTER HOLDER FORK
23	1009012	COMPLETE ADHESIVE DIAPHRAGM ø 120 mm
26	1390014	PUSH-BUTTON BOARD WITH DISPLAY
28	1252443	COFFEE OUTLET PROTECTION
29	1252099	"DANGER" LABEL
31	1252445	COFFEE FLOW-THROUGH MESH 32x38 mm
32	1186906	AER-STOP GASKET
33	1186697	SPOUT UPPER GASKET
34	1240927	MOTOR ROTATION LABEL
37	1009006	COARSE-FINE LABEL
38	1252064	GRINDING ADJUSTMENT RING
40	1250065	SPRING ø 10x23.6 mm
41	1324906	ADJUSTMENT RING PIN M5
42	1251178	GRINDING BURRS PAIR MAZZER 3-PH. RH
42	1251928	GRINDING BURRS PAIR MAZZER 3-PH. RH
42	1251933	GRINDING BURRS PAIR MAZZER 3-PH. RH
43	1251919	LOWER BURRS HOLDER
44	1063902	BEARING CAP MAJOR
45	1063901	BEARING 6204 DDU NSK
48	1240924	FAN FOR MOTOR
61	3068024	CAPACITOR DUCATI ENERGIA 16µF
62	1390012	TIMER BOARD 220/240V
67	1313904	FOOT ø 20x16 mm M6



COFFEE GRINDER ELECTRONIC KOLD

KOLD E



Positions without LF code no.: upon request



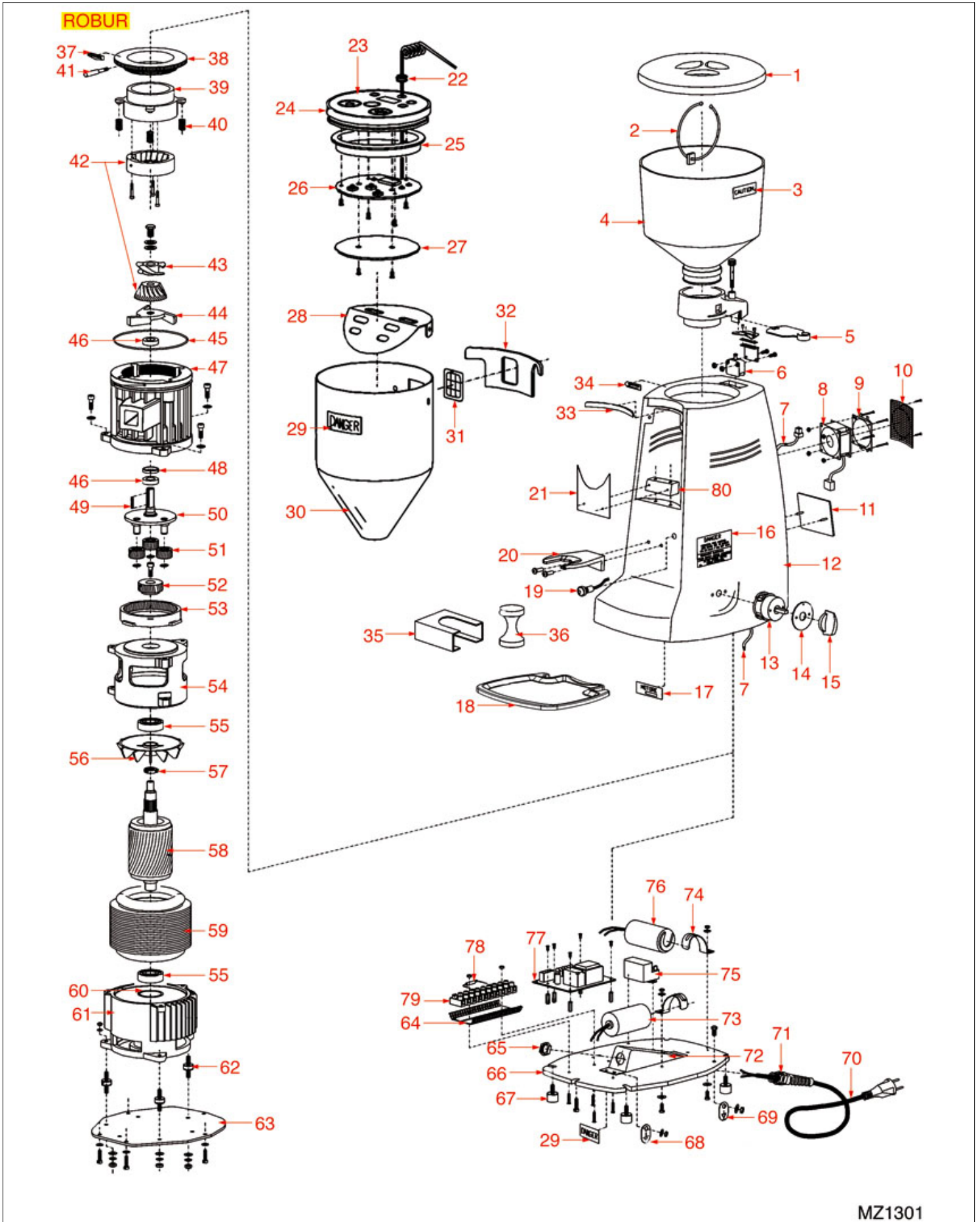
MAZZER



Position	LF code no.	Description
3	1009007	CAUTION-HOPPER LABEL
7	1240927	MOTOR ROTATION LABEL
11	1240053	AXIAL FAN EBM 8412N
26	1251181	GRINDING BURRS P. 1-PH. MAZZER CONIC RH
26	1251705	GRINDING BURRS P. 3-PH. MAZZER CONIC RH
26	1251913	GRINDING BURRS P. 3-PH. MAZZER CONIC RH
26	1251914	GRINDING BURRS P. 1-PH. MAZZER CONIC RH
27	1251924	LOWER BURRS HOLDER
33	3063118	BEARING 6002 DDU NSK
40	1063901	BEARING 6204 DDU NSK
45	3063005	BEARING 6202 DDU NSK
51	1252900	COFFEE COLLECTING TRAY
54	1221901	INDICATOR LIGHT GREEN 250/400V
64	1057902	SELECTOR SWITCH 0-1 POSITIONS 20A 690V
66	1252067	LABEL FOR SELECTOR SWITCH 0-1 POSITIONS
71	1313904	FOOT \varnothing 20x16 mm M6
75	1252099	"DANGER" LABEL
82	3068083	ELECTRIC CAPACITOR 16 μ F
85	1390012	TIMER BOARD 220/240V
86	3068083	ELECTRIC CAPACITOR 16 μ F
90	1162010	FILTER HOLDER FORK
103	1009012	COMPLETE ADHESIVE DIAPHRAGM \varnothing 120 mm
105	1390014	PUSH-BUTTON BOARD WITH DISPLAY
109	1252443	COFFEE OUTLET PROTECTION
110	5068682	COFFEE GRINDER FUNNEL ELECTRONIC
112	5070366	NET FOR COFFEE PASSAGE 32x38 mm
113	1186906	AER-STOP GASKET



COFFEE GRINDER ELECTRONIC ROBUR



MZ1301

Positions without LF code no.: upon request



MAZZER

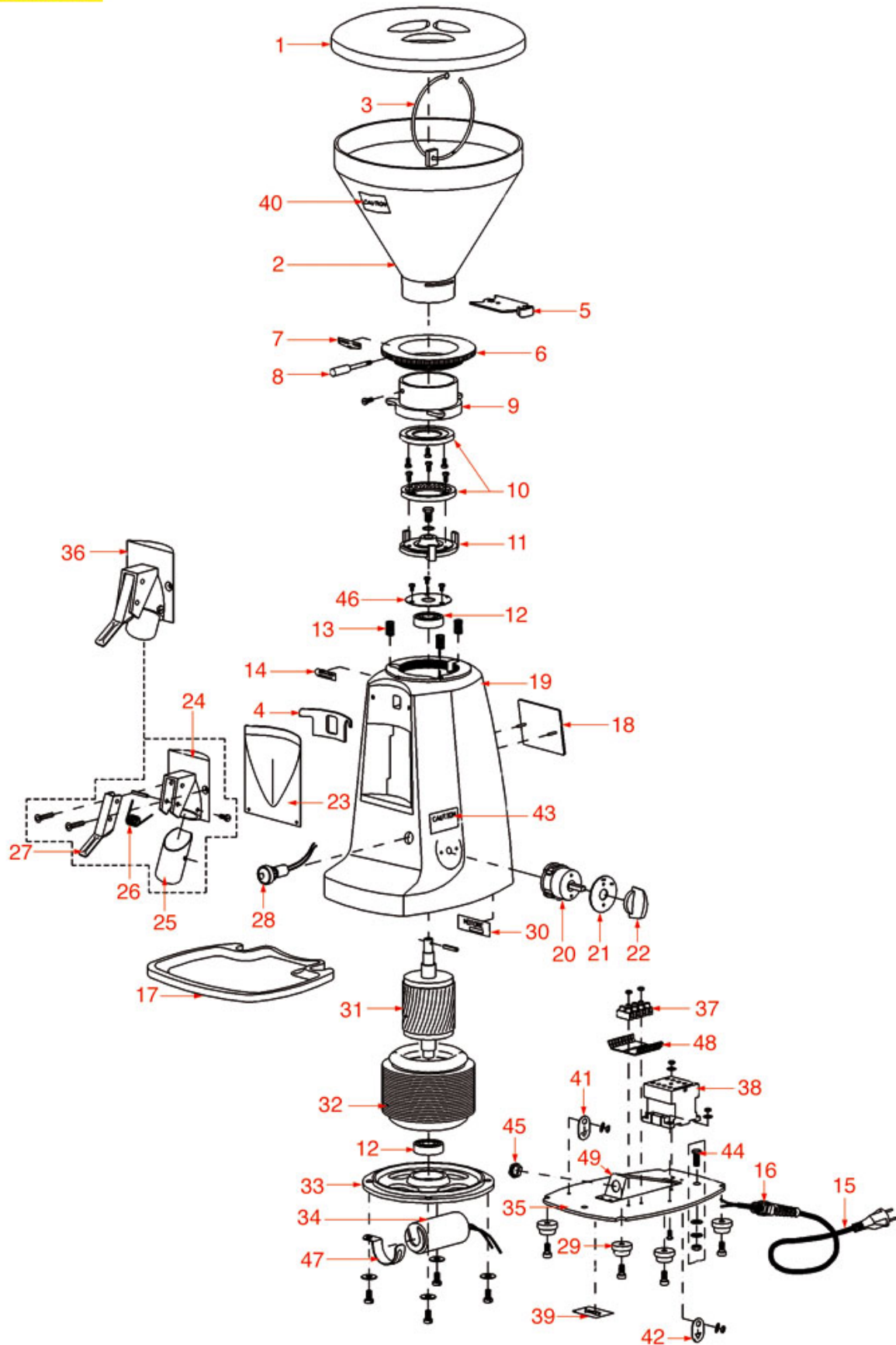


Position	LF code no.	Description
1	1252061	COFFEE HOPPER LID ø 210 mm
3	1009007	CAUTION-HOPPER LABEL
4	1080916	COFFEE HOPPER COMPLETE
5	1252081	CLOSING SHEET FOR COFFEE HOPPER
6	1319903	SAFETY SWITCH SAIA-BURGESS
8	1240053	AXIAL FAN EBM 8412N
11	1252066	LABEL 4M MAZZER
13	1057902	SELECTOR SWITCH 0-1 POSITIONS 20A 690V
14	1252067	LABEL FOR SELECTOR SWITCH 0-1 POSITIONS
15	1241542	KNOB SELECTOR SWITCH BLACK ø 33 mm
18	1252900	COFFEE COLLECTING TRAY
19	1221901	INDICATOR LIGHT GREEN 250/400V
20	1162010	FILTER HOLDER FORK
23	1009012	COMPLETE ADHESIVE DIAPHRAGM ø 120 mm
26	1390014	PUSH-BUTTON BOARD WITH DISPLAY
28	1252443	COFFEE OUTLET PROTECTION
29	1252099	"DANGER" LABEL
31	1252445	COFFEE FLOW-THROUGH MESH 32x38 mm
32	1186906	AER-STOP GASKET
33	1186697	SPOUT UPPER GASKET
34	1240927	MOTOR ROTATION LABEL
37	1009006	COARSE-FINE LABEL
38	1252064	GRINDING ADJUSTMENT RING
40	1250065	SPRING ø 10x23.6 mm
41	1324906	ADJUSTMENT RING PIN M5
42	1251181	GRINDING BURRS P. 1-PH. MAZZER CONIC RH
42	1251201	GRINDING BURRS P. 1-PH. MAZZER CONIC RH
42	1251914	GRINDING BURRS P. 1-PH. MAZZER CONIC RH
44	1251924	LOWER BURRS HOLDER
46	3063005	BEARING 6202 DDU NSK
50	1252450	3-PHASE SHAFT WITH 3 PINS
51	1212007	REDUCTION GEAR ø 28 mm 17 TEETH
52	1212009	REDUCTION GEAR ø 41 mm 25 TEETH
53	1212008	REDUCTION GEAR ø 100
55	1063901	BEARING 6204 DDU NSK
56	1240924	FAN FOR MOTOR
67	1313904	FOOT ø 20x16 mm M6
73	3068024	CAPACITOR DUCATI ENERGIA 16µF
75	1252904	START RELAY 4CR-1-670 28Z9R
75	1252905	START RELAY 4CR-1-681 18V0R
76	3068024	CAPACITOR DUCATI ENERGIA 16µF
76	3068027	CAPACITOR DUCATI ENERGIA 20µF
77	1390012	TIMER BOARD 220/240V
78	1755900	HEATING ELEMENT 220 K Ohm 2W



COFFEE GRINDER SUPER JOLLY

SUPER JOLLY





MAZZER

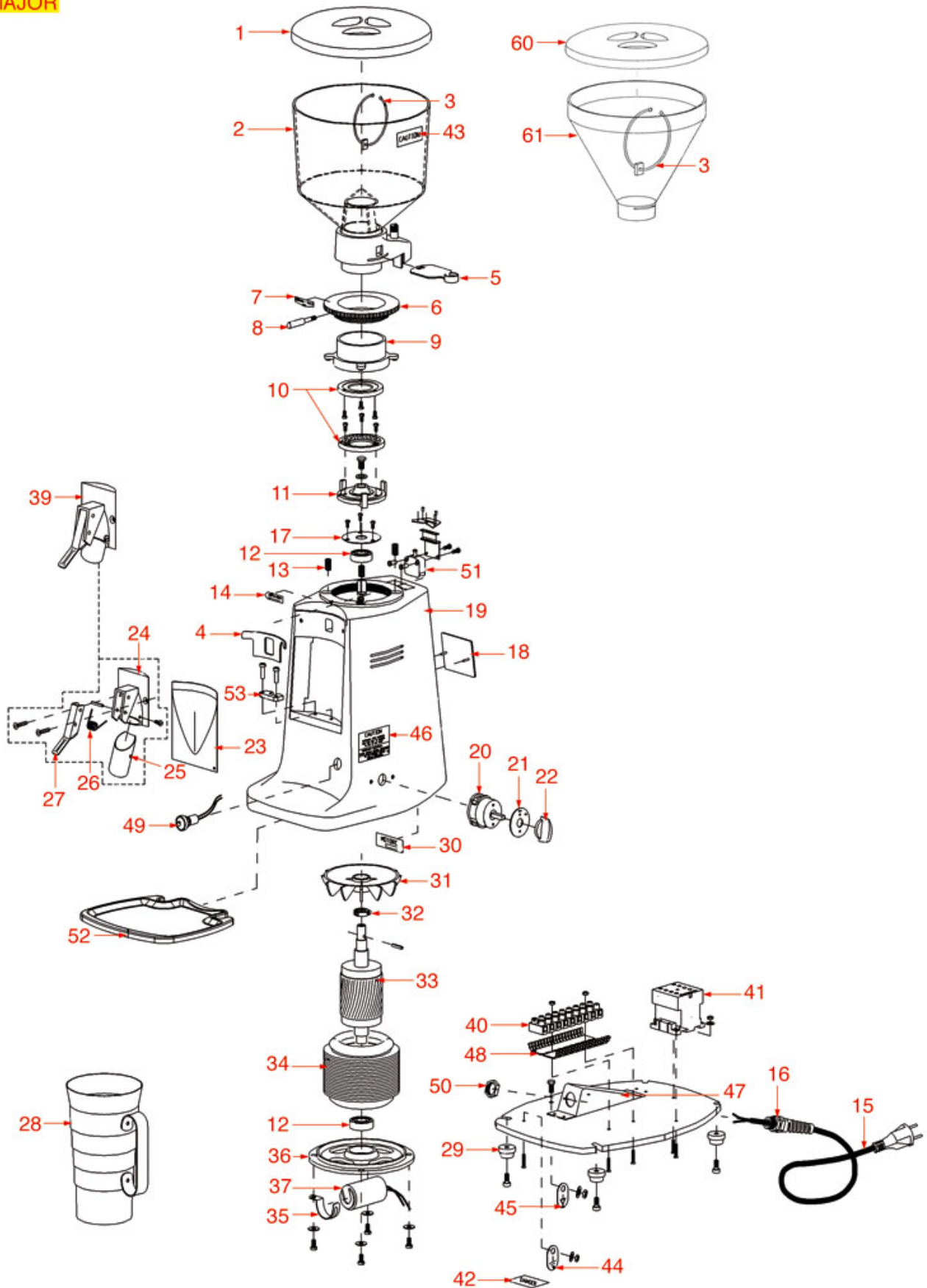


Position	LF code no.	Description
1	1252061	COFFEE HOPPER LID ø 210 mm
2	1080915	COFFEE HOPPER
4	1186906	AER-STOP GASKET
5	1252063	COFFEE HOPPER CLOSING SHEET
6	1252902	ADJUSTMENT RING
7	1009006	COARSE-FINE LABEL
8	1324906	ADJUSTMENT RING PIN M5
9	1251920	UPPER BURRS HOLDER
10	1251056	GRINDING BURRS PAIR MAZZER 3-PH. RH
10	1251700	GRINDING BURRS PAIR MAZZER 1-PH. RH
10	1251929	GRINDING BURRS PAIR MAZZER 1-PH. RH
10	1251930	GRINDING BURRS PAIR MAZZER 3-PH. RH
10	1251935	GRINDING BURRS PAIR MAZZER 1-PH. RH
11	1251921	LOWER BURRS HOLDER
12	3063005	BEARING 6202 DDU NSK
13	1250065	SPRING ø 10x23.6 mm
14	1240927	MOTOR ROTATION LABEL
17	1252900	COFFEE COLLECTING TRAY
18	1252066	LABEL 4M MAZZER
20	1057902	SELECTOR SWITCH 0-1 POSITIONS 20A 690V
20	1319001	SELECTOR SWITCH 0-1 POSITIONS 20A 690V
21	1252067	LABEL FOR SELECTOR SWITCH 0-1 POSITIONS
22	1241542	KNOB SELECTOR SWITCH BLACK ø 33 mm
25	1252069	STAINLESS STEEL COFFEE OUTLET SPOUT
26	1250070	SPOUT SPRING
28	1221901	INDICATOR LIGHT GREEN 250/400V
29	1313903	FOOT COMPLETE M5x0.75
31	1240922	ROTOR SUPER JOLLY
32	1240917	WOUND STATOR 230/400V 50Hz
32	1240918	WOUND STATOR 220/240V 50Hz
34	3068014	CAPACITOR DUCATI ENERGIA 8µF
34	3068016	CAPACITOR DUCATI ENERGIA 10µF
38	1454902	CONTACTOR LOVATO BG0910A
38	3446556	CONTACTOR LOVATO BG0910A
39	1252099	"DANGER" LABEL
40	1009007	CAUTION-HOPPER LABEL
46	1063008	BEARING CAP ø 52 mm



COFFEE GRINDER MAJOR

MAJOR



MZ1501

Positions without LF code no.: upon request



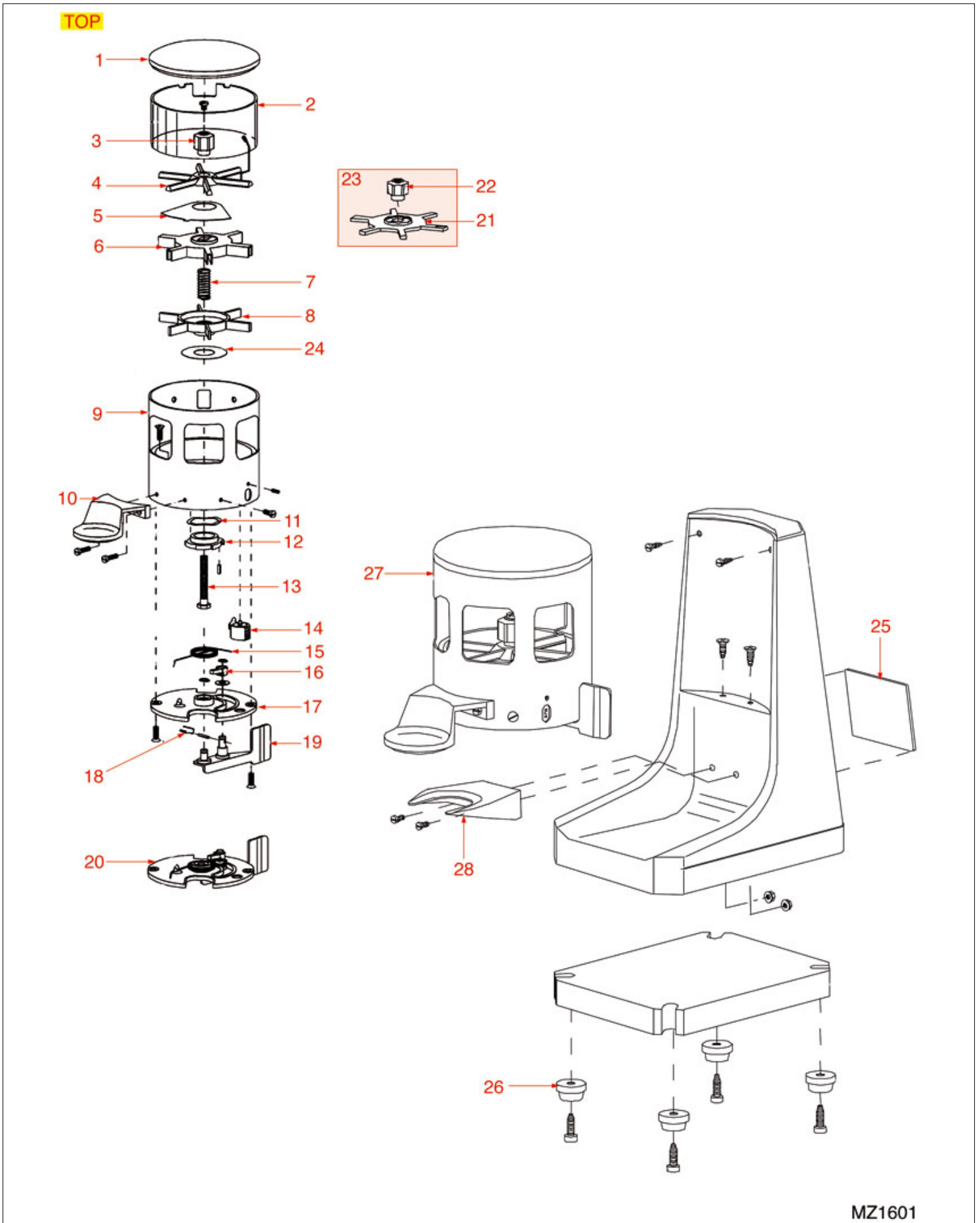
MAZZER



Position	LF code no.	Description
1	1252061	COFFEE HOPPER LID ø 210 mm
2	1080916	COFFEE HOPPER COMPLETE
4	1186906	AER-STOP GASKET
5	1252081	CLOSING SHEET FOR COFFEE HOPPER
6	1252064	GRINDING ADJUSTMENT RING
7	1009006	COARSE-FINE LABEL
8	1324906	ADJUSTMENT RING PIN M5
10	1251178	GRINDING BURRS PAIR MAZZER 3-PH. RH
10	1251928	GRINDING BURRS PAIR MAZZER 3-PH. RH
10	1251933	GRINDING BURRS PAIR MAZZER 3-PH. RH
11	1251919	LOWER BURRS HOLDER
12	1063901	BEARING 6204 DDU NSK
13	1250065	SPRING ø 10x23.6 mm
14	1240927	MOTOR ROTATION LABEL
17	1063902	BEARING CAP MAJOR
18	1252066	LABEL 4M MAZZER
20	1057902	SELECTOR SWITCH 0-1 POSITIONS 20A 690V
20	1319001	SELECTOR SWITCH 0-1 POSITIONS 20A 690V
21	1252067	LABEL FOR SELECTOR SWITCH 0-1 POSITIONS
22	1241542	KNOB SELECTOR SWITCH BLACK ø 33 mm
24	1252068	SPOUT HOLDER
25	1252069	STAINLESS STEEL COFFEE OUTLET SPOUT
26	1250070	SPOUT SPRING
29	1313903	FOOT COMPLETE M5x0.75
30	1240925	MOTOR LABEL SJ 220/380V 50Hz
30	1240926	MOTOR LABEL SJ 220/240V 50Hz
31	1240924	FAN FOR MOTOR
37	3068024	CAPACITOR DUCATI ENERGIA 16µF
37	3068027	CAPACITOR DUCATI ENERGIA 20µF
39	1252073	SPOUT GROUP
41	1454902	CONTACTOR LOVATO BG0910A
41	3446556	CONTACTOR LOVATO BG0910A
42	1252099	"DANGER" LABEL
43	1009007	CAUTION-HOPPER LABEL
46	1009008	CAUTION-FIRE LABEL
49	1221901	INDICATOR LIGHT GREEN 250/400V
51	1319903	SAFETY SWITCH SAIA-BURGESS
52	1252900	COFFEE COLLECTING TRAY
60	1252061	COFFEE HOPPER LID ø 210 mm
61	1080915	COFFEE HOPPER



DISPENSER TOP



MZ1601



MAZZER



Position	LF code no.	Description
1	1252086	DOSER LID ø 125 mm
2	1252087	DOSER CYLINDER ø 120x68 mm
3	1241909	SMALL CONTROL HANDLE
4	1343010	UPPER STAR WITH PIN
5	1252088	CLOSING SECTOR
6	1343902	STAR (FEMALE)
7	1252089	DOSER PRESSURE SPRING
8	1343903	STAR (MALE)
10	1385901	COFFEE TAMPER ø 53 mm
10	1385902	COFFEE TAMPER ø 54.5 mm
10	1385903	COFFEE TAMPER ø 57.5 mm
11	1252091	COMPENSATION RING ø 32 mm
12	1252092	PAWL FOR COFFEE GRINDER/DOSER
13	1252093	ST.STEEL SCREW FOR DOSING ADJUST. M8x70
15	1250922	DOSER LEVER RETURN SPRING
16	1252095	DOSER RETAINER
18	1250923	RETAINER SPRING
20	1252097	DOSER LEVER ASSEMBLY
23	1343907	STAR WITH ADJUSTMENT KNOB
24	1252098	DOSER WASHER
26	1313903	FOOT COMPLETE M5x0.75
28	1252082	FILTER HOLDER FORK



Suitable for:

MAZZER



Suitable for:

Accident prevention devices-protections

1252442 COFFEE OUTLET PROTECTION



MAZZER SMI0PRB01

MAZZER SMI0PRB01/QQQ

1252443 COFFEE OUTLET PROTECTION



MAZZER SSJ0PRB02

MAZZER S000PRB02/QQQ

MAZZER S000PRB01

MAZZER S000PRB02

Adhesive labels

1252099 "DANGER" LABEL



MAZZER S000ETA14

MAZZER S000ETA14/AQQ

MAZZER S000ETA14/BQQ

1009008 CAUTION-FIRE LABEL



MAZZER S000TAA20

MAZZER S000TAA20/QQQ

1009007 CAUTION-HOPPER LABEL



MAZZER S000ETA15
MAZZER S000ETA15/B

MAZZER S000ETA15-A
MAZZER S000ETA15/BQQ

MAZZER S000ETA15/AQQ
MAZZER S000ETA15/CQQ

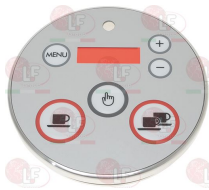
1009006 COARSE-FINE LABEL



MAZZER S000ETA03

MAZZER S000ETA03/AQQ

1009012 COMPLETE ADHESIVE DIAPHRAGM ø 120 mm
for Grinder-dispenser (MAZZER) KONY ELETTRONICO
MAJOR ELETTRONICO - ROBUR ELETTRONICO
ROYAL ELETTRONICO

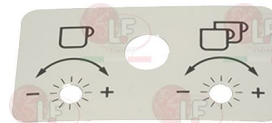


MAZZER S00SCOG02
MAZZER S000MEM04

MAZZER S00SCOG02/B

MAZZER S00SCOG02/QQQ

1009009 DOSE ADJUSTMENT LABEL
size 73x40 mm
for Grinder-dispenser (MAZZER) MINI ELETTRONICO A

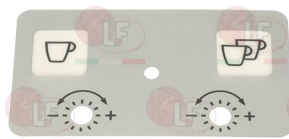


MAZZER S000ETA21

MAZZER S000ETA21-A

MAZZER S000ETA21/AQQ

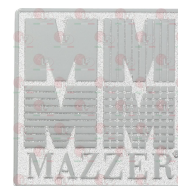
1009011 DOSE ADJUSTMENT LABEL
size 90x50 mm
for Grinder-dispenser (MAZZER) MINI ELETTRONICO B



MAZZER S000MEM03

MAZZER S000MEM03/QQQ

1252066 LABEL 4M MAZZER



MAZZER S000TAA02
MAZZER S000TAA02/QQQ

MAZZER S000TAA02/AQQ

MAZZER S000TAA02/BQQ

Suitable for:

1240926 MOTOR LABEL SJ 220/240V 50Hz

Suitable for:

1240925 MOTOR LABEL SJ 220/380V 50Hz



MAZZER SMJ0ETA01

MAZZER SMJ0ETA01/A

MAZZER SMJ0ETA01/AQQ

MAZZER SMJ0ETA03

MAZZER SSJ0ETA01/A

MAZZER SSJ0ETA01/AQQ

1240927 MOTOR ROTATION LABEL



MAZZER S000ETA00

MAZZER S000ETA00/A

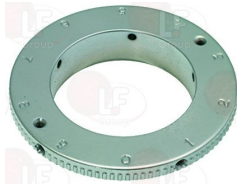
MAZZER S000ETA00/AQQ

MAZZER S000ETA00/QQQ

Adjustement rings for coffee grinder

1252902 ADJUSTMENT RING

for Grinder-dispenser (MAZZER) KONY
KONY ELETTRONICO - LUX - MINI
MINI ELETTRONICO A - MINI ELETTRONICO B
SUPERJOLLY



MAZZER SSJ0GHA02

MAZZER SSJ0GHA02/QQQ

1252064

GRINDING ADJUSTMENT RING

for Grinder-dispenser (MAZZER) MAJOR - ROBOR
ROYAL - STARK



MAZZER SMJ0GHA04

MAZZER SRO0GHA01

MAZZER SMJ0GHA04-A

MAZZER SRO0GHA01/QQQ

MAZZER SMJ0GHA04/AQQ

Axial motor fans

1240052 AXIAL FAN EBM 612NGH

12Vdc 2.6W 5600rpm
60x60x25 mm
bushing
for Grinder-dispenser (MAZZER) KONY ELETTRONICO
MAJOR ELETTRONICO



MAZZER S00SVEB01

MAZZER S00SVEB03

1240053

AXIAL FAN EBM 8412N

12Vdc 2W 3100rpm
80x80x25 mm
ball bearings
for Grinder-dispenser (MAZZER) ROBUR ELETTRONICO
ROYAL ELETTRONICO



MAZZER S00SVEB02

MAZZER S00SVEB02/QQQ



Suitable for:

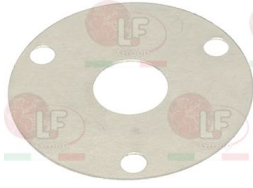
MAZZER

Suitable for:



Bearings

1063008 BEARING CAP \varnothing 52 mm



MAZZER SSJ0COA01

MAZZER SSJ0COA01/B

MAZZER SSJ0COA01/BQQ

1063902 BEARING CAP MAJOR



MAZZER SMJ0COA02

MAZZER SMJ0COA02/A

MAZZER SMJ0COA02/AQQ

3063118 BEARING 6002 DDU NSK
external \varnothing 32mm - internal \varnothing 15mm - thickness 9mm



MAZZER S000CUA11

MAZZER S000CUA11/QQQ

3063005 BEARING 6202 DDU NSK
external \varnothing 35mm - internal \varnothing 15mm - thickness 11mm



MAZZER S000CUA07

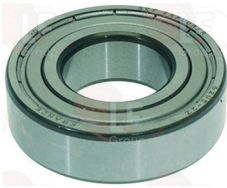
MAZZER S000CUA07/AQQ

1063901 BEARING 6204 DDU NSK
external \varnothing 47mm - internal \varnothing 20mm - thickness 14mm



MAZZER S000CUA04/AQQ

9063006 BEARING 6205 ZZ NSK
external \varnothing 52 mm-internal \varnothing 25 mm-thickness 15 mm
for Coffee grinder (MAZZER) DR100



MAZZER S000CUA08

D063042 BEARING 6205-2Z SKF
single box packaging



Belts

1062001 TOOTHED BELT 173 L 050 H13
for Grinder-dispenser (MAZZER) M100



MAZZER SMC0CIB02/QQQ



Brushes

1384023 BRUSH FOR CLEANING 50 mm



MAZZER

1384005 CLEANING BRUSH F/GRINDING BURRS



MAZZER

Burrs

5113292 GRINDERS PAIR MAZZER RH
external \varnothing 83 mm - internal \varnothing 49 mm
thickness 9.6 mm - 3 fixing holes
For MAZZER coffee grinder ZM



MAZZER FMA00151F-QQQ

MAZZER FMA00151F/QQQ

1251232 GRINDERS PAIR MAZZER TITANIUM RH
external \varnothing 64 mm - internal \varnothing 37.3 mm
thickness 8.5 mm - 3 fixing holes
For MAZZER coffee grinders SUPER JOLLY
SUPER JOLLY GROCERY STORE - ELECTRONIC SUPER JOLLY



MAZZER FMA0T033M-QQQ

MAZZER FMA0T033M/QQQ

1251233 GRINDERS PAIR MAZZER TITANIUM RH
external \varnothing 83 mm - internal \varnothing 49 mm
thickness 9.6 mm - 3 fixing holes
For MAZZER coffee grinders MAJOR V-MAJOR DROGHERIA
ROYAL - ROYAL ELETTRONICO



MAZZER FMA0T151B

MAZZER FMA0T151B-QQQ

MAZZER FMA0T151B/QQQ

5105499 GRINDERS PAIR MAZZER TITANIUM RH
external \varnothing 83 mm - internal \varnothing 49 mm
thickness 9.6 mm - 3 fixing holes
For MAZZER coffee grinder MAJOR V



MAZZER FMA0T151A

MAZZER FMA0T151A-QQQ

MAZZER FMA0T151A/QQQ

1251020 GRINDING BURRS P. MAZZER 1-PH. CONIC RH
external \varnothing 63/40 mm - internal \varnothing 40/12 mm
thickness 23 mm - 3 fixing holes
inner groove for feather key
for Grinder-dispenser (MAZZER) KONY
KONY ELETTRONICO



MAZZER FMA00191C-C

MAZZER FMA00191C/A

MAZZER FMA00191C/CQQ

1251179 GRINDING BURRS P. MAZZER 1-PH. CONIC RH
external \varnothing 63/40 mm - internal \varnothing 40/12 mm
thickness 23 mm - 3 fixing holes
inner groove for feather key
for Grinder-dispenser (MAZZER) KONY
KONY ELETTRONICO



MAZZER FMA00191C/C



Suitable for:

MAZZER



Suitable for:

1251026 GRINDING BURRS P. MAZZER 3-PH. CONIC RH
 external \varnothing 67/44.5 mm - internal \varnothing 44.5/14 mm
 thickness 23 mm - 3 fixing holes
 inner groove for feather key
 for Grinder-dispenser (MAZZER) KONY



MAZZER FMA00192C

MAZZER FMA00192C-C

MAZZER FMA00192C/CQQ

1251181 GRINDING BURRS P. 1-PH. MAZZER CONIC RH
 external \varnothing 71/49 mm - internal \varnothing 41/14 mm
 thickness 25 mm - 3 fixing holes
 for Grinder-dispenser (MAZZER) ROBUR
 ROBUR ELETTRONICO



MAZZER FMA00186C-C

1251914 GRINDING BURRS P. 1-PH. MAZZER CONIC RH
 external \varnothing 71/49 mm - internal \varnothing 41/14 mm
 thickness 25 mm - 3 fixing holes
 for Grinder-dispenser (MAZZER) ROBUR
 ROBUR ELETTRONICO



MAZZER FMA00186C

MAZZER FMA00186C/CQQ

1251705 GRINDING BURRS P. 3-PH. MAZZER CONIC RH
 GRIND.BURRS "FOOD FRIENDLY"-lifespan increased
 by 70% compared to a standard grinding burr
 they do not deform
 lower contamination of ground coffee
 external \varnothing 83/59 mm - internal \varnothing 50/14 mm
 thickness 25 mm - 3 fixing holes



MAZZER FMA00187C-C

1251913 GRINDING BURRS P. 3-PH. MAZZER CONIC RH
 external \varnothing 83/59 mm - internal \varnothing 52/14 mm
 thickness 25 mm - 3 fixing holes
 for Grinder-dispenser (MAZZER) ROBUR



MAZZER FMA00187C

MAZZER FMA00187C/CQQ

1251115 GRINDING BURRS PAIR MAZZER RH
 external \varnothing 64 mm - internal \varnothing 37 mm
 thickness 8.4 mm - 3 fixing holes
 for Grinder-dispenser (MAZZER) MINIELETTRONICO A
 MINIELETTRONICO B



MAZZER FMA00189D

MAZZER FMA00189D/AQQ

MAZZER FMA00189D/QQQ

1251215 GRINDING BURRS PAIR MAZZER RH
 external \varnothing 64 mm - internal \varnothing 37 mm
 thickness 8.4 mm - 3 fixing holes
 for Grinder-dispenser (MAZZER) MINI ELETTRONICO A
 MINI ELETTRONICO B





1251915 GRINDING BURRS PAIR MAZZER RH
 external \varnothing 58 mm - internal \varnothing 33.5 mm
 thickness 8.5 mm - 3 fixing holes
 for Grinder-dispenser (MAZZER) MINI



MAZZER FMA00182D

MAZZER FMA00182D/QQQ

5040064 GRINDING BURRS PAIR MAZZER RH
 external \varnothing 61 mm - internal \varnothing 35 mm
 thickness 8.4 mm - 3 fastening holes



MAZZER FMA00195D

MAZZER FMA00195D/AQQ

MAZZER FMA00195D/QQQ

1251116 GRINDING BURRS PAIR MAZZER 1-PH. RH
 external \varnothing 70 mm - internal \varnothing 40 mm
 thickness 9 mm - 3 fixing holes
 for Grinder-dispenser (MAZZER) M100



MAZZER FMA00175M

MAZZER FMA00175M/QQQ

1251118 GRINDING BURRS PAIR MAZZER 1-PH. RH
 external \varnothing 83 mm - internal \varnothing 49 mm
 thickness 9.6 mm - 3 fixing holes
 for Grinder-dispenser (MAZZER) MAJOR
 MAJOR ELETTRONICO



MAZZER FMA00151A/QQQ

1251700 GRINDING BURRS PAIR MAZZER 1-PH. RH
 GRIND.BURRS "FOOD FRIENDLY"-lifespan increased
 by 70% compared to a standard grinding burr
 they do not deform
 less contamination of milled coffee
 \varnothing external 64 mm - \varnothing internal 38 mm
 thickness 8.5 mm - 3 fixing holes



MAZZER

1251704 GRINDING BURRS PAIR MAZZER 1-PH. RH
 GRIND.BURRS "FOOD FRIENDLY"-lifespan increased
 by 70% compared to a standard grinding burr
 they do not deform
 less contamination of milled coffee
 \varnothing external 83 mm - \varnothing internal 49 mm
 thickness 9.5 mm - 3 fixing holes



MAZZER

1251927 GRINDING BURRS PAIR MAZZER 1-PH. RH
 external \varnothing 83 mm - internal \varnothing 49 mm
 thickness 9.6 mm - 3 fixing holes
 for Grinder-dispenser (MAZZER) MAJOR
 MAJOR ELETTRONICO



MAZZER FMA00151D

1251935 GRINDING BURRS PAIR MAZZER 1-PH. RH
 external \varnothing 64 mm - internal \varnothing 37 mm
 thickness 8.4 mm - 3 fixing holes
 for Grinder-dispenser (MAZZER) SUPERJOLLY



MAZZER FMA00033M

MAZZER FMA00033M/QQQ



Suitable for:

MAZZER



5019959 GRINDING BURRS PAIR MAZZER 1-PH. RH
 external \varnothing 115 mm - internal \varnothing 68 mm
 thickness 12 mm - 3 fixing holes
 for Grinder-dispenser (MAZZER) M1000



MAZZER FMA00174M

1251117 GRINDING BURRS PAIR MAZZER 3-PH. RH
 external \varnothing 70 mm - internal \varnothing 40 mm
 thickness 9 mm - 3 fixing holes
 for Grinder-dispenser (MAZZER) M100



MAZZER FMA00175T

MAZZER FMA00175T/QQQ

1251930 GRINDING BURRS PAIR MAZZER 3-PH. RH
 external \varnothing 64 mm - internal \varnothing 37 mm
 thickness 8.4 mm - 3 fixing holes
 for Grinder-dispenser (MAZZER) SUPERJOLLY



MAZZER FMA00033T/QQQ

5019960 GRINDING BURRS PAIR MAZZER 3-PH. RH
 external \varnothing 115 mm - internal \varnothing 68 mm
 thickness 12 mm - 3 fixing holes
 for Grinder-dispenser (MAZZER) M1000



MAZZER FMA00174T

MAZZER FMA00174T/QQQ

Suitable for:

1251056 GRINDING BURRS PAIR MAZZER 3-PH. RH
 external \varnothing 64 mm - internal \varnothing 37 mm
 thickness 9 mm - 3 fixing holes
 for Grinder-dispenser (MAZZER) SUPERJOLLY



MAZZER FMA00033T

1251928 GRINDING BURRS PAIR MAZZER 3-PH. RH
 external \varnothing 83 mm - internal \varnothing 49 mm
 thickness 9.6 mm - 3 fastening holes
 specific for grocery
 for Grinder-dispenser (MAZZER) MAJOR - ROYAL
 ROYAL ELETTRONICO - STARK



MAZZER FMA00151C

MAZZER FMA00151C/QQQ

1251933 GRINDING BURRS PAIR MAZZER 3-PH. RH
 external \varnothing 83 mm - internal \varnothing 49 mm
 thickness 9.6 mm - 3 fixing holes
 for Grinder-dispenser (MAZZER) MAJOR - ROYAL
 ROYAL ELETTRONICO - STARK



MAZZER FMA00151B

MAZZER FMA00151B/QQQ

MAZZER FMA00151M



Casings

5020357 FRONT COVER MAJOR



MAZZER SMJ0FRA02

MAZZER SMJ0FRA02/QQQ

5501206 MOTOR BACK PLATE 118x94 mm



MAZZER SSJ0FRA04

MAZZER SSJ0FRA04-A

MAZZER SSJ0FRA04/AQQ

1252073 SPOUT GROUP



MAZZER S00SGRC01

MAZZER S00SGRC01/QQQ

1252068 SPOUT HOLDER



MAZZER S000POA08

MAZZER S000POA08/A

MAZZER S000POA08/AQQ

1252069 STAINLESS STEEL COFFEE OUTLET SPOUT



MAZZER S000BOAX2

MAZZER S000BOAX2/AQQ

MAZZER S000BOAX2/BQQ

MAZZER S000BOA02

Coffee hoppers

1080263 ADAPTER FOR COFFEE CAN MAZZER

Conical machine connection \varnothing 57.6 mm
conical can connection \varnothing 55 mm
f. COFFEE GRINDER MAZZER SUPER JOLLY



MAZZER

1080264 ADAPTER FOR COFFEE CAN MAZZER

Conical machine connection \varnothing 63 mm
conical can connection \varnothing 55 mm
f. COFFEE GRINDER MAZZER MAJOR - ROBUR



MAZZER

1252081 CLOSING SHEET FOR COFFEE HOPPER



MAZZER S000SEB02

MAZZER S000SEB02/AQQ

5063160 COFFEE CAN ADAPTER MAZZER

conical machine fitting \varnothing 58 mm
for COFFEE GRINDER MAZZER



MAZZER



Suitable for:

MAZZER



1080027 COFFEE HOPPER
for Grinder-dispenser (MAZZER) KONY
KONY ELETTRONICO



MAZZER SKOSCAE03 MAZZER SKOSCAE03/QQQ

Suitable for:
1080080 COFFEE HOPPER
for Grinder-dispenser (MAZZER) M100



MAZZER SMC0CAE03 MAZZER SMC0CAE03/QQQ

1080915 COFFEE HOPPER
for coffee grinder MAJOR manufactured up to 2005
since 2005 - see LF 1080916
for Grinder-dispenser (MAZZER) LUX - MAJOR
SUPERJOLLY



MAZZER S00SCAE08 MAZZER S00SCAE08/QQQ MAZZER S000CAE02
MAZZER S000CAE02-A MAZZER S000CAE08

1252063 COFFEE HOPPER CLOSING SHEET



MAZZER SMIOSEB01 MAZZER SMIOSEB01-A MAZZER SMIOSEB01/AQQ

1080079 COFFEE HOPPER COMPLETE
for OLD MODELS
for Grinder-dispenser (MAZZER) MAJOR - SUPERJOLLY



MAZZER S00SCAE01

1080916 COFFEE HOPPER COMPLETE
for Grinder-dispenser (MAZZER) MAJOR - ROBUR
ROYAL - STARK



MAZZER S00SCAE03 MAZZER S00SCAE03/QQQ MAZZER S00SCAE07
MAZZER S00SCAE07+ MAZZER S00SCAE07/QQQ MAZZER S000CAE03

1252901 COFFEE HOPPER COMPLETE
for Grinder-dispenser (MAZZER) MINI
MINI ELETTRONICO A - MINI ELETTRONICO B



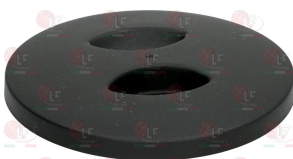
MAZZER SMISCAE03 MAZZER SMISCAE03/QQQ MAZZER SMISCAE04
MAZZER SMIOCAE01 MAZZER SMIOCAE01

1080076 COFFEE HOPPER COMPLETE 320 g
for Grinder-dispenser (MAZZER) MINI
MINI ELETTRONICO A - MINI ELETTRONICO B



MAZZER SMISCAE02 MAZZER SMISCAE02 MAZZER SMISCAE02-A
MAZZER SMISCAE06 MAZZER SMISCAE06/QQQ MAZZER SMIOCAE02

1252060 COFFEE HOPPER LID ø 160 mm
for Grinder-dispenser (MAZZER) MINI
MINI ELETTRONICO A - MINI ELETTRONICO B



MAZZER SMIOC0D01 MAZZER SMIOC0D01/QQQ

1080081 COFFEE HOPPER LID ø 196 mm
for Grinder-dispenser (MAZZER) M100



MAZZER SMC0COD05 MAZZER SMC0COD05/QQQ

Suitable for:

1252061 COFFEE HOPPER LID ø 210 mm
for Grinder-dispenser (MAZZER) KONY - LUX - MAJOR
MINI - MINI ELETTRONICO A - MINI ELETTRONICO B
ROBUR - ROYAL - STARK - SUPERJOLLY



MAZZER S000COD01/AQQ

Suitable for:

1080232 COFFEE HOPPER UNIVERSAL
height 245 mm - ø 207 mm



MAZZER

Contactors

1454905 CONTACTO-RING LOVATO BF1810A
25A 400V 50Hz 7.7Kw
3 NO contacts
1 NO auxiliary contact



MAZZER S000COC13

3446227 AUXILIARY CONTACT LOVATO G218
10A
1 contact NO
1 contact NC



3446582 CONTACTOR LOVATO BF1810A
7.5kW 400V 18A - coil 230V 50/60Hz
3 NO contacts
1 NO auxiliary contact



MAZZER S000COC12

MAZZER S000COC14

3446227 AUXILIARY CONTACT LOVATO G218
10A
1 contact NO
1 contact NC

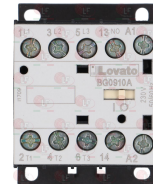


1454902 CONTACTOR LOVATO BG0910A
9A 400V 50Hz 4Kw
3 closed power contacts
1 open auxiliary contact



MAZZER S000COC08

3446556 CONTACTOR LOVATO BG0910A
4kW 400V 9A - coil 230V 50/60Hz
3 NO contacts
1 NO auxiliary contact



MAZZER S000COC02



Suitable for:

MAZZER



Suitable for:

Counters

1252094 COUNTER FOR COFFEE GRINDER
for Grinder-dispenser (MAZZER) KONY - LUX - MAJOR
MINI - ROBUR - ROYAL - SUPERJOLLY



MAZZER S00SCOB02

MAZZER S00SCOB02/AQQ

MAZZER S00SCOB02/QQQ

Detergents

3092076 CRYSTAL CLEANER PULY GRIND
for COFFEE GRINDERS and for GRINDER-DOSERS
suitable also for SUPERAUTOMATIC MACHINES
regenerates burrs without disassembling them
does not need to vary the grinding
ingredients of natural origin
gluten-free nor allergenic substances
package 10 envelopes
please see the attached documentation for use



MAZZER

1092213 DETERGENT GRIND CLEANER 340 g
detergent for grinders cleaning
natural grain-based ingredients
100% biological
please see the attached documentation for use



MAZZER

3092326 DETERGENT PULYBAR IGIENIC 1000 ml
cleans and sanitizes:
stainless steel-plastic-glass. varnished.
painted surfaces -mirrors- frames
ideal for the cleaning of:
hoods-tables-knifeblocks-slicers-coffee machines
coffee grinders - knives - working surfaces
not foamy. it does not leave residues or odours
it does not require rinsing
ingredients of natural origin
HACCP compliant
please see the attached documentation for use



MAZZER

1092003 DETERGENT URNEX CAFE SPRAYZ 450 ml
for coffee grinder hoppers and all coffee
stained surfaces
please see the attached documentation for use



MAZZER

1092545 DETERGENT URNEX GRINDZ 430 g
for grinding burrs
please see the attached documentation for use



MAZZER



Dosers for coffee

1090904 AUTOMATIC DOSER GROUP



MAZZER SMJSGRA04

MAZZER SMJSGRL04/QCQ

MAZZER SMJSGRL05

5068682 COFFEE GRINDER FUNNEL ELECTRONIC
height 180 mm - external \varnothing 120 / 29 mm



MAZZER S000IMB02

MAZZER S000IMB02/QCQ

1252103 DOSER CYLINDER
for Grinder-dispenser (MAZZER) MAJOR - ROBUR ROYAL



MAZZER S000CIA03/QCQ

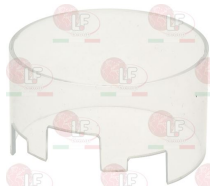
1252087 DOSER CYLINDER \varnothing 120x68 mm
for Grinder-dispenser (MAZZER) KONY - M100 - STARK SUPERJOLLY



MAZZER S000CIA01

MAZZER S000CIA01/QCQ

1090021 DOSER CYLINDER \varnothing 120x70 mm
for Grinder-dispenser (MAZZER) LUX - MINI



MAZZER S000CIA02

MAZZER S000CIA02/QCQ

1252090 DOSER CYLINDER \varnothing 122x182 mm
for Grinder-dispenser (MAZZER) MAJOR - ROBUR ROYAL - STARK



MAZZER SMJ0TUA04

MAZZER SMJ0TUA04/AQQ+

MAZZER SMJ0TUA04-A+...

MAZZER SMJ0TUA06/QCQ+

MAZZER SMJ0TUA04/AQQ

1090905 DOSER GROUP TOP



MAZZER STOSGRA08/B

MAZZER STOSGRA08/BQQ

MAZZER STOSGRA08A

1252086 DOSER LID \varnothing 125 mm
for Grinder-dispenser (MAZZER) KONY - LUX - MAJOR MINI - MINI ELETTRONICO B - M100 - ROBUR ROYAL - STARK - SUPERJOLLY



MAZZER S000COD02

MAZZER S000COD02/QCQ

5034733 FUNNEL 1-2 DOSES \varnothing 120x140 mm



MAZZER S000IMB01

MAZZER S000IMB08/QCQ

MAZZER S000IMB01/B

MAZZER S000IMB08



Suitable for:

MAZZER



Suitable for:

Electrical capacitors

3068016 CAPACITOR DUCATI ENERGIA 10 μ F
 450V 50/60Hz
 operating temperature -25 +85°C
 lead connector 6.35x0.8 mm
 \varnothing 36xh58 mm



MAZZER S000COE02

3068019 CAPACITOR DUCATI ENERGIA 12,5 μ F
 450V 50/60Hz
 operating temperature -25 +85°C
 lead connection 6.35x0.8 mm
 \varnothing 36xh70 mm



MAZZER S000COE16

3068024 CAPACITOR DUCATI ENERGIA 16 μ F
 450V 50/60Hz
 operating temperature -25 +85°C
 lead connector 6.35x0.8 mm
 \varnothing 36xh70 mm



MAZZER S000COE03

3068027 CAPACITOR DUCATI ENERGIA 20 μ F
 450V 50/60Hz
 operating temperature -25 +85°C
 lead connector 6.35x0.8 mm
 \varnothing 40xh70 mm



MAZZER S000COE04

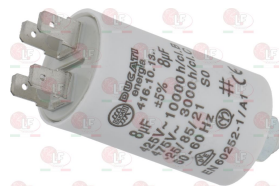
3068010 CAPACITOR DUCATI ENERGIA 6,3 μ F
 450V 50/60Hz
 operating temperature -25 +85°C
 lead connection 6.35x0.8 mm
 \varnothing 32xh55 mm



MAZZER S000COE14

MAZZER S000COE17

3068014 CAPACITOR DUCATI ENERGIA 8 μ F
 450V 50/60Hz
 operating temperature -25°C+85°C
 lead connection 6.35x0.8 mm
 \varnothing 32xh55 mm



MAZZER S000COE01

3068083 ELECTRIC CAPACITOR 16 μ F
 450V 50/60Hz - \varnothing 35xh71 mm



MAZZER S000COE03/QQQ

3068084 ELECTRIC CAPACITOR 20 μ F
 450V 50/60Hz - \varnothing 40xh71 mm



MAZZER S000COE04/QQQ



Electronic boards

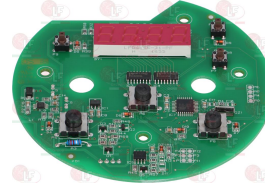
1390013 LED BOARD
 dimensions 80x25 mm
 for Grinder-dispenser (MAZZER) MINI ELETTRONICO B



MAZZER S000SCT03

MAZZER S000SCT03/QQQ

1390014 PUSH-BUTTON BOARD WITH DISPLAY
 for Grinder-dispenser (MAZZER) KONY ELETTRONICO
 MAJOR ELETTRONICO - ROBUR ELETTRONICO
 ROYAL ELETTRONICO



MAZZER S000SPU03

MAZZER S000SPU03-B

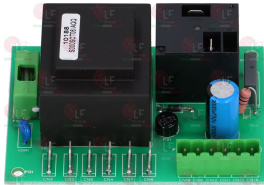
MAZZER S000SPU03/BQQ

MAZZER S000SPU03/C

MAZZER S000SPU03/CQQ

MAZZER S000SPU03/DQQ

1390012 TIMER BOARD 220/240V
 dimensions 100x74 mm
 for Grinder-dispenser (MAZZER) KONY ELETTRONICO
 MAJOR ELETTRONICO - ROBUR ELETTRONICO
 ROYAL ELETTRONICO

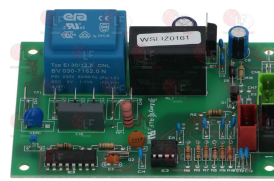


MAZZER S000SCT06

MAZZER S000SCT06-A

MAZZER S000SCT06/AQQ

1390010 TIMER BOARD 230V 50/60Hz
 dimensions 105x73 mm
 for Grinder-dispenser (MAZZER) MINI ELETTRONICO A



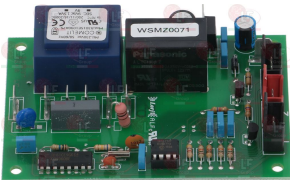
MAZZER S000SCT01

MAZZER S000SCT01-D

MAZZER S000SCT01/DQQ

MAZZER S000SCT01/EQQ

1390011 TIMER BOARD 230V 50/60Hz
 size 105x74 mm
 for Grinder-dispenser (MAZZER) MINI ELETTRONICO B



MAZZER S000SCT02

MAZZER S000SCT02/BQQ

Equipment, complete

1252909 AUTOM. COFFEE GRINDER/DOSER MAJOR
 single-phase 650W 220/240V 50/60Hz
 dimensions 202x312x620 mm
 grinding burrs \varnothing 83 mm
 coffee beans capacity 1.2 kg



MAZZER FMJAC1E00

MAZZER FMJAC1E00/ACA-QQI

MAZZER FMJAC1E00/ACA-QSI

MAZZER FMJAC1E00/AQA-QQI

5033374 GRINDER/DOSER MINI ELECTRONIC TYPE A
 single-phase 250W 230V 50Hz
 dimensions 168x340x470 mm
 grinders \varnothing 64 mm
 bean coffee capacity 0.6 kg



MAZZER FMIE01E00

MAZZER FMIE01E00/DQA-QQI

MAZZER FMIE01E00/DQA-QSI



Suitable for:

MAZZER



Suitable for:

1252906 MANUAL COFFEE GRINDER/DOSER SUPER JOLLY

single-phase 350W 220/240V 50/60Hz
dimensions 195x263x600 mm
grinding burrs \varnothing 64 mm
coffee beans capacity 1.2 kg



MAZZER FSJM01E00

MAZZER FSJM01E00-AA

MAZZER FSJM01E00/AQA-QQI

Fans for motors

1240924 FAN FOR MOTOR



MAZZER SMJ0VEA01

Feet

1313904 FOOT \varnothing 20x16 mm M6



MAZZER P000PIA02

MAZZER P000PIA04

MAZZER P000PIA04/QQQ

1313903 FOOT COMPLETE M5x0.75



MAZZER S00SPIA01

MAZZER S00SPIA01/QQQ

Forks for coffee grinder filter holder

1162010 FILTER HOLDER FORK

length 73 mm
for Grinder-dispenser (MAZZER) KONY ELETTRONICO
ROBUR ELETTRONICO



MAZZER S000FOB14

MAZZER S000FOB14/QQQ

1162012 FILTER HOLDER FORK

length 66 mm
for Grinder-dispenser (MAZZER) MAJOR ELETTRONICO



MAZZER SMJ0FOB13

MAZZER S000FOB13

MAZZER S000FOB13/QQQ



MAZZER



Suitable for:

1162020 FILTER HOLDER FORK
for MAZZER MAJOR ELETTRONICO-SUPERJOLLY ELETTRONIC



MAZZER S000FOB15

MAZZER S000FOB15/QQQ

MAZZER S000FOB22/QQQ

Suitable for:

1252082 FILTER HOLDER FORK
for Grinder-dispenser (MAZZER) KONY - LUX - MAJOR
MINI - M100 - ROBUR - ROYAL - STARK
SUPERJOLLY



MAZZER S000FOB02

MAZZER S000FOB02/CQQ

MAZZER S000FOB02-C

MAZZER S000FOB02A

MAZZER S000FOB02/B

MAZZER S000FOB02B

5030270 FILTER HOLDER FORK LONG
length 147 mm
for telescopic presser



MAZZER S000FOB04/B

MAZZER S000FOB04A

MAZZER S000FOB04/BQQ

MAZZER S000FOB04/CQQ

1162011 FILTER-HOLDER FORK
for Grinder-dispenser (MAZZER) MINI ELETTRONICO A
MINI ELETTRONICO B



MAZZER S000FOB08

MAZZER S000FOB18

MAZZER S000FOB18/BQQ

MAZZER S000FOB08/B

MAZZER S000FOB18/A

MAZZER S000FOB18/QQQ

MAZZER S000FOB08/BQQ

MAZZER S000FOB18/AQQ

Gaskets and seals

1186906 AER-STOP GASKET
for Grinder-dispenser (MAZZER) KONY - MAJOR - MINI
M100 - ROBUR - ROYAL - STARK - SUPERJOLLY



MAZZER S000GUA01

MAZZER S000GUA01/QQQ

1252444 COFFEE FLOW-THROUGH MESH 32x38 mm



MAZZER S000RET04

MAZZER S000RET04/QQQ

MAZZER S000RET04/B

MAZZER S000RET04/BQQ

1252445 COFFEE FLOW-THROUGH MESH 32x38 mm



MAZZER S000RET01-A

MAZZER S000RET01/AQQ

1186696 FUNNEL GASKET WITH MESH
for Grinder-dispenser (MAZZER) MINI ELETTRONICO A
MINI ELETTRONICO B



MAZZER S00SGUA01

MAZZER S00SGUA02/QQQ

MAZZER S00SGUA01-A

MAZZER S00SGUA01/AQQ



Suitable for:

MAZZER



5070366 NET FOR COFFEE PASSAGE 32x38 mm
for Grinder-dispenser (MAZZER) KONY - ROBUR
ROYAL ELETTRONICO



MAZZER S000RET03

MAZZER S000RET03/QQQ

Suitable for:

1186697 SPOUT UPPER GASKET
for Grinder-dispenser (MAZZER) KONY ELETTRONICO
MAJOR ELETTRONICO - ROBUR ELETTRONICO
ROYAL ELETTRONICO



MAZZER S000GUA03

MAZZER S000GUA03/QQQ

Gears

1212007 REDUCTION GEAR \varnothing 28 mm 17 TEETH
for Grinder-dispenser (MAZZER) KONY
KONY ELETTRONICO - ROBUR - ROBUR ELETTRONICO



MAZZER S000SAT01

MAZZER S000SAT01/AQQ

MAZZER S000SAT01/QQQ

1212008 REDUCTION GEAR \varnothing 100
for Grinder-dispenser (MAZZER) KONY
KONY ELETTRONICO - ROBUR - ROBUR ELETTRONICO



MAZZER S000COR01

MAZZER S000COR01/QQQ

1212009 REDUCTION GEAR \varnothing 41 mm 25 TEETH
for Grinder-dispenser (MAZZER) KONY
KONY ELETTRONICO - ROBUR - ROBUR ELETTRONICO



MAZZER S000PIR02

MAZZER S000PIR02-A

MAZZER S000PIR02/AQQ

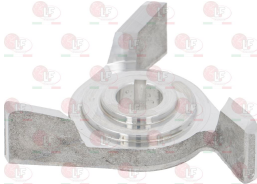
1252450 3-PHASE SHAFT WITH 3 PINS



MAZZER S00SALA04/QQQ

Grinding burr holders

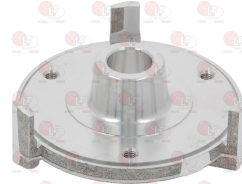
1251027 GRINDING BURRS BOTTOM HOLDER SINGLE-PH.
for Grinder-dispenser (MAZZER) KONY
KONY ELETTRONICO



MAZZER SK00POA07

MAZZER SK00POA07/QQQ

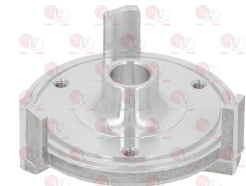
1251919 LOWER BURRS HOLDER
for Grinder-dispenser (MAZZER) MAJOR - ROYAL
STARK



MAZZER SMJ0POA07

MAZZER SMJ0POA07/QQQ

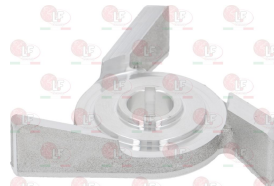
1251921 LOWER BURRS HOLDER
for Grinder-dispenser (MAZZER) MINI ELETTRONICO A
MINI ELETTRONICO B - SUPERJOLLY



MAZZER SSJ0POA04

MAZZER SSJ0POA04/QQQ

1251924 LOWER BURRS HOLDER
for Grinder-dispenser (MAZZER) ROBUR
ROBUR ELETTRONICO



MAZZER SRO0POA07

MAZZER SRO0POA07/QQQ

MAZZER SRO0POA07-A

MAZZER SRO0POA07/AQQ



Suitable for:

1251926 LOWER BURRS HOLDER
for Grinder-dispenser (MAZZER) MINI



MAZZER SMI0POA01 MAZZER SMI0POA01/QQQ

Suitable for:

1251923 THREE-PHASE UPPER GRINDING BURRS HOLDER
for Grinder-dispenser (MAZZER) ROBUR



MAZZER SRO0POA06 MAZZER SRO0POA09 MAZZER SRO0POA09-A
MAZZER SRO0POA09/AQQ

1251920 UPPER BURRS HOLDER
for Grinder-dispenser (MAZZER) SUPERJOLLY



MAZZER SSJ0POA03 MAZZER SSJ0POA03-B
MAZZER SSJ0POA03/CQQ

1251925 UPPER BURRS HOLDER
for Grinder-dispenser (MAZZER) MINI



MAZZER SMI0POA04 MAZZER SMI0POA04-A MAZZER SMI0POA04/AQQ
MAZZER SMI0POA04/BQQ MAZZER SMI0POA04/CQQ MAZZER SMI0POA05

Heating elements

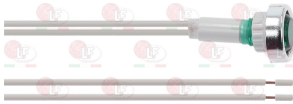
1755900 HEATING ELEMENT 220 K Ohm 2W



MAZZER S000REB01 MAZZER S000REB03 MAZZER S000REB03/QQQ

Indicator lights

1221901 INDICATOR LIGHT GREEN 250/400V
head \varnothing 20 mm - hole \varnothing 10 mm
silicone cables
cable length 400 mm



MAZZER S000LAA06 MAZZER S000LAA06/QQQ

Ironmongery (screws, nuts, washers)

1252091 COMPENSATION RING \varnothing 32 mm



MAZZER S000ANA01 MAZZER S000ANA01/AQQ MAZZER S000ANA01/QQQ

1252098 DOSER WASHER



MAZZER S000ROA02 MAZZER S000ROA02-A MAZZER S000ROA02-B
MAZZER S000ROA02/BQQ



Suitable for:

MAZZER



Suitable for:

1252093 ST. STEEL SCREW FOR DOSING ADJUST. M8x70

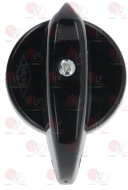


MAZZER S000VIA01

MAZZER S000VIA01/QQQ

Knobs

1241542 KNOB SELECTOR SWITCH BLACK Ø 33 mm
hole for square pin 5x5 mm
for selector switch



MAZZER

1252067 LABEL FOR SELECTOR SWITCH 0-1 POSITIONS



MAZZER R

MAZZER S000TAA08

MAZZER S000TAA08/QQQ

1241909 SMALL CONTROL HANDLE



MAZZER S000MAB02

MAZZER S000MAB02-A

MAZZER S000MAB02/AQQ

Levers

1252097 DOSER LEVER ASSEMBLY
for Grinder-dispenser (MAZZER) KONY - LUX - MAJOR
MINI - M100 - ROBUR - ROYAL - STARK
SUPERJOLLY



MAZZER S00SFOA01

MAZZER S00SFOA01/QQQ

MAZZER S00SFOA03

MAZZER S000NAA01

MAZZER S000NAA01/AQQ

MAZZER S000NAA01/BQQ

MAZZER S00SFOA03/QQQ

MAZZER S00SLEA02

MAZZER S00SLEA02/QQQ

MAZZER S000NAA01A

MAZZER S000FOA03

MAZZER S000FOA03/QQQ





Microswitches, mechanical

1240942 MICROSWITCH CROUZET U83161.3
 12A 250V
 for Grinder-dispenser (MAZZER) KONY - LUX - MAJOR
 MINI - M100 - ROBUR - ROYAL - STARK
 SUPERJOLLY



MAZZER S00SMIA04

MAZZER S00SMIA11

MAZZER S00SMIA11/QQQ

1240054 MICROSWITCH CROUZET U83161.8
 0.1A 250V
 for Grinder-dispenser (MAZZER) MINI ELETTRONICO B



MAZZER SME0MIA01

MAZZER SME0MIA01/QQQ

1240941 UPPER MICROSWITCH ASSEMBLY
 for Grinder-dispenser (MAZZER) KONY - LUX - MAJOR
 MINI - M100 - ROBUR - ROYAL - STARK
 SUPERJOLLY



MAZZER S00SMIA01

MAZZER S00SMIA03

MAZZER S00SMIA07

MAZZER S00SMIA07/QQQ

MAZZER S00SMIA09

MAZZER S00SMIA3

Motors

1240929 ROTOR MINI-LUX



MAZZER SMIORA00

MAZZER SMIORA00/QQQ

1240922 ROTOR SUPER JOLLY



MAZZER SSJORA01

MAZZER SSJORA01/QQQ

1240918 WOUND STATOR 220/240V 50Hz



MAZZER SSJPAE01

MAZZER SSJPAE01/AQQ

MAZZER SSJPAE01/QQQ

1240917 WOUND STATOR 230/400V 50Hz



MAZZER SSJPAE03

MAZZER SSJPAE03/AQQ

O-Ring and ORM gaskets

1186223 O-RING 02056 EPDM
 ring thickness 1.78 mm - internal \varnothing 14.00 mm



MAZZER S000ANA02

3186466 O-RING 04475 EPDM
 ring thickness 3.53 mm - internal \varnothing 120.20 mm



MAZZER S000ANA05



Suitable for:

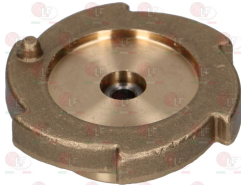
MAZZER



Suitable for:

Pawls for coffee grinder dosers

1252092 PAWL FOR COFFEE GRINDER/DOSER



MAZZER S00SCRA02
MAZZER S00CRA02

MAZZER S00SCRA02/QQQ
MAZZER S00CRA02/AQQ

MAZZER S000CRA01

Pins

1324906 ADJUSTMENT RING PIN M5



MAZZER SSJSPEA04
MAZZER S00SPEA00/QQQ

MAZZER SSJSPEA04-A

MAZZER S00SPEA00

5062928

CAP LOCKING PIN

M5 - length 61 mm



MAZZER SRO0PEA02-B
MAZZER SRO0PEA02/BQQ

MAZZER SRO0PEA02/A

MAZZER SRO0PEA02/B

Potentiometers

1057010 MULTITURN POTENTIOMETER BLACK ACTUAT.
cable length 250 mm
for Grinder-dispenser (MAZZER) MINI ELETTRONICO A
MINI ELETTRONICO B



MAZZER S000POT01

MAZZER S000POT01/C

MAZZER S000POT01/CQQ

1057011

MULTITURN POTENTIOMETER RED ACTUAT.
cable length 250 mm
for Grinder-dispenser (MAZZER) MINI ELETTRONICO A
MINI ELETTRONICO B



MAZZER S000POT02

MAZZER S000POT02-A

MAZZER S000POT02/AQQ

Relays

1252904 START RELAY 4CR-1-670 28Z9R



MAZZER S000DIS01
MAZZER S000DIS14/QQQ

MAZZER S000DIS02

MAZZER S000DIS14

1252905

START RELAY 4CR-1-681 18V0R



MAZZER S000DIS03

MAZZER S000DIS15

MAZZER S000DIS15/QQQ



Selector switches

1057902 SELECTOR SWITCH 0-1 POSITIONS 20A 690V
square pin 5x5 mm
for Grinder-dispenser (MAZZER) KONY ELETTRONICO
MAJOR - ROBUR ELETTRONICO - ROYAL ELETTRONICO
SUPERJOLLY



MAZZER S000INA09
MAZZER S000INA09/BQQ

MAZZER S000INA09/A
MAZZER S000INA09/QQQ

MAZZER S000INA09/AQQ

1319001 SELECTOR SWITCH 0-1 POSITIONS 20A 690V
square pin 5x5 mm



MAZZER S000INA04

MAZZER S000INA04A

1057904 SELECTOR SWITCH 0-1- POSITIONS 20A 690V
square pin 5x5 mm
for Grinder-dispenser (MAZZER) KONY - LUX - MAJOR
MINI - M100 - ROBUR - ROYAL - STARK
SUPERJOLLY



MAZZER S000INA13

MAZZER S000INA13/AQQ

MAZZER S000INA13/QQQ

1057903 SELECTOR SWITCH 0-1-START POSITIONS 20A
square pin 5x5 mm
for Grinder-dispenser (MAZZER) KONY - MAJOR - M100
ROBUR - ROYAL - STARK - SUPERJOLLY



MAZZER S000INA10
MAZZER S000INA10A

MAZZER S000INA10-A

MAZZER S000INA10/AQQ

Springs

1250922 DOSER LEVER RETURN SPRING



MAZZER S000MOB03

MAZZER S000MOB03/QQQ

1252089 DOSER PRESSURE SPRING



MAZZER S000MOB05

MAZZER S000MOB05/QQQ

1250921 LOWER MICRORELEASE SPRING



MAZZER S000MOB06

MAZZER S000MOB06/QQQ

1250923 RETAINER SPRING



MAZZER S000MOB04

MAZZER S000MOB04/QQQ

1250070 SPOUT SPRING



MAZZER S000MOB09

MAZZER S000MOB09/QQQ

1250065 SPRING \varnothing 10x23.6 mm
for grinding adjustment



MAZZER SSJ0MOB01
MAZZER S000MOB14/AQQ

MAZZER SSJ0MOB01A

MAZZER S000MOB14



Suitable for:

MAZZER



Suitable for:

Stars and spare parts

1252088 CLOSING SECTOR



MAZZER S000SEA01

MAZZER S000SEA01/QQQ

1343901 COFFEE STIRRING STAR WITH ROD



MAZZER SMJSSTA04

MAZZER SMJSSTA04/QQQ

1343904 LOWER MICROSWITCH STAR



MAZZER S000STA05

MAZZER S000STA05/QQQ

1343905 LOWER MICROSWITCH STAR SPACER

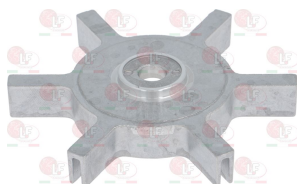


MAZZER S000DIA01

MAZZER S000DIA01-A

MAZZER S000DIA01/AQQ

1343902 STAR (FEMALE)

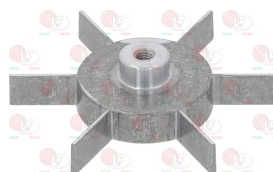


MAZZER S000STA03

MAZZER S000STA03/B

MAZZER S000STA03/BQQ

1343903 STAR (MALE)

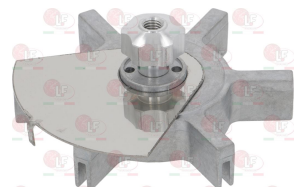


MAZZER S000STA02

MAZZER S000STA02-B

MAZZER S000STA02/BQQ

1343907 STAR WITH ADJUSTMENT KNOB



MAZZER S00SGRA08

MAZZER S00SGRA08-A

MAZZER S00SGRA08/AQQ

1343010 UPPER STAR WITH PIN



MAZZER SSJSSTA04

MAZZER SSJSSTA04/QQQ

Switches

1319902 BIPOLAR SWITCH BLACK 16A 250V
with led indicator light
mounting hole 22x30 mm
for Grinder-dispenser (MAZZER) LUX - MINI
MINI ELETTRONICO A - MINI ELETTRONICO B



MAZZER S000INA12

MAZZER S000INA12A

1319903 SAFETY SWITCH SAIA-BURGESS



MAZZER S000INR01

MAZZER S000INR01/QQQ



Tampers for coffee

1385901 COFFEE TAMPER ø 53 mm



MAZZER S000PRA02-A

MAZZER S000PRA02/QAQ

MAZZER S000PRA02A

1385902 COFFEE TAMPER ø 54.5 mm



MAZZER S000PRA02

MAZZER S000PRA02/QQQ

1385903 COFFEE TAMPER ø 57.5 mm



MAZZER S000PRA02-C

MAZZER S000PRA02/QCQ

MAZZER S000PRA02C

1385906 TAMPER EASY TAMPER ø 57.5 mm
 base 175x130 mm
 total height including lever 400 mm
 constant pressing
 the disc turns simulating the wrist rotation
 aluminium disc



MAZZER FET000003/QQQ

5011778 TELESCOPIC PRESSER ø 57.5 mm



MAZZER S00SPRAA4

MAZZER S00SPRAA4-AD

MAZZER S00SPRAA4/BCQ

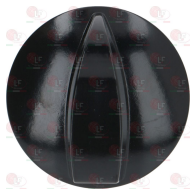
MAZZER S00SPRA04/AC

MAZZER S00SPRA04/BCQ

MAZZER S00STRAA4

Timers

1446903 TIMER KNOB



MAZZER S000MAB01

MAZZER S000MAB01/QQQ

1446902 TIMER LABEL



MAZZER S000TAA03

MAZZER S000TAA03/QQQ

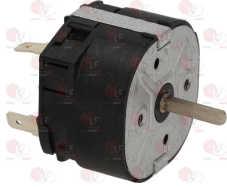


Suitable for:

MAZZER



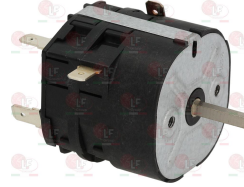
1446900 TIMER 50 SECONDS 16A 250V
 mechanical movement with balance wheel
 1-minute manually set cycle
 bipolar timer with contact capacity 16A 250V
 environment temperature max 125°C
 square pin 3.5x3.5 mm
 for Grinder-dispenser (MAZZER) LUX - MAJOR - MINI
 M100 - SUPERJOLLY



MAZZER S000TIA02

Suitable for:

1446901 TIMER 50 SECONDS 3-POLES
 for Grinder-dispenser (MAZZER) MAJOR - M100
 SUPERJOLLY



MAZZER S000TIA03

MAZZER S000TIA03-A

MAZZER S000TIA03/AQQ

Trays

1252439 COFFEE COLLECTING TRAY
 for Grinder-dispenser (MAZZER) LUX
 MINIELETTRONICO B



MAZZER SMIOPIB01

MAZZER SMIOPIB02

MAZZER SMIOPIB02/QQQ

1252440 COFFEE COLLECTING TRAY
 for Grinder-dispenser (MAZZER) MINI
 MINIELETTRONICO B



MAZZER SMIOPIB03

MAZZER SMIOPIB03/QQQ

1252900 COFFEE COLLECTING TRAY



MAZZER SMJ0PIB02

MAZZER SSJ0PIB02

MAZZER SSJ0PIB02/QQQ

Vibration insulators for motors

1252084 VIBRATION DAMPER A18x8.5 M



MAZZER S000ANV01

MAZZER S000ANV04

MAZZER S000ANV04/QQQ

The data herewith contained may change without notice and LF SpA cannot be held responsible for possible errors stated or resulting by the use of this document. All rights reserved. No part of this publication may be reproduced without written permission by LF SpA.



Distributing Components, Spare Parts & Accessories in original quality worldwide

-
- LF SpA HEADQUARTERS**
via Voltri, 80 - 47522 Cesena (FC) ITALY
Tel. +39 0547 34 11 11 - Fax +39 0547 34 11 10
www.lfricambi724.it - info@lfricambi.it
Export Dept. Tel. +39 0547 34 11 50 - Fax +39 0547 34 11 55
www.lfspareparts724.com - export@lfspareparts.com
- LF SpA HOUSEHOLD COMPONENTS DIVISION**
Via Padriciano, 99 - AREA Science Park - 34149 Trieste (TS) ITALY
Tel. +39 0547 34 12 42 - Fax +39 0547 34 12 48
www.lfspareparts724.com - info@lfspareparts.com
- EPGC Sas FRANCE**
13, Rue des Forts - 59960 Neuville en Ferrain
Tel. +33 (0)3 20 25 06 21 - Fax +33 (0)3 20 25 34 12
www.epgc.com - epgc@epgc.com
- LF GmbH GERMANY**
Junkersstrasse, 3 - D-82178 Puchheim - München
Tel. +49 89 89 45 78 66 - Fax +49 89 89 45 78 88
www.lfersatzteile724.de - info@lfersatzteile.de
- LF China REPUBLIC OF CHINA**
Room 403, No.2, Huadu Mansion, Lane 422, Huanghua Rd.
Minhang Dist. - 201103 Shanghai
Tel. +86 (0)21 33 53 66 31 - Fax +86 (0)21 33 53 66 32
www.lfspareparts724.com - china@lfspareparts.com
- OOO LF RUSSIAN FEDERATION**
Ul. Anatoliya Zhivova, 8 - office 1 - 123100 Moscow
Tel./Fax +7 495 725 26 53
www.lfspareparts724.ru - info@lfspareparts.ru
- LF Repuestos Horeca S.L.U. SPAIN**
Poligono Industrial Carpetania - C/Miguel Faraday, 8 - 28906 Getafe
Tel. +34 91 477 91 00 - Fax +34 91 477 90 81
www.lfrepuestos-horeca724.es - info@lfrepuestos.es
- LF Scandinavia Aps - LF Spareparts S.p.A. DENMARK**
Nupark, 51 - 7500 Holstebro
Tel. +45 70 70 77 33
www.lfspareparts724.dk - denmark@lfspareparts.dk
- LF SpA Cesena (IT) Swiss Branch Steinhausen SWITZERLAND**
Sennweidstrasse, 45 - CH-6312 Steinhausen
Tel. +41 (0)41 760 15 80/1 - Fax +41 (0)41 760 15 85
www.lfersatzteile724.ch - info@lfersatzteile.ch
- LF Spare Parts Ltd. UNITED KINGDOM**
A10a Lakeside Business Park, Broadway Lane
South Cerney, Gloucestershire GL7 5XL
Tel. +44 (0)1285 86 16 25 - Fax +44 (0)1285 86 39 49
www.lfspareparts724.co.uk - info@lfspareparts.co.uk
- LF Central Est Europe S.r.o. CZECH REPUBLIC**
Antala Staska 1859/34
14000 Praha 4 - KRC
Tel. +420 730 156 910
www.lfspareparts724.cz - info@lfspareparts.cz
- LF SPARE PARTS INC. USA**
Legal address:
155 Office Plaza Dr - Suite A - Tallahassee, FL 32301
Business/Mailing address:
1100 South Tower, 225 Peachtree St., N.E. - Atlanta, GA 30303, USA
Tel. +1-404-525-2600 - Fax +1-404-586-3528
www.lfspareparts724.us - info@lfspareparts.us
Tel. West Coast and Midwest: 206-349-1525 Sauro
Tel. East Coast and the Caribbean: 786-817-1764 Luis
-
- AUSTRALIA AND NEW ZEALAND**
www.lfspareparts724.com
andrea.calvio@lfspareparts.com
- AUSTRIA**
www.lfersatzteile724.at
info@lfersatzteile.at
- BALKAN COUNTRIES**
www.lfspareparts724.com
matija.ramov@lfspareparts.com
- BALTIC COUNTRIES**
www.lfspareparts724.com
inara.silina@lfspareparts.com
- LATIN AMERICA AND THE CARRIBEANS**
www.lfrepuestos-horeca724.es
export@lfrepuestos.es
- POLAND**
www.lfspareparts724.pl
info@lfspareparts.pl
- SOUTH KOREA**
www.lfspareparts724.com
fabio.doni@lfspareparts.com
- TURKEY**
www.lfyedekparca724.com
export@lfspareparts.com