



Spare parts for the professional sector: Coffee grinders



Suitable for:

GAGGIA



This catalogue is automatically generated.
Therefore, the sequence of the items might
not be always shown at best.
Updates will be issued in case of additions
and/or amendments.

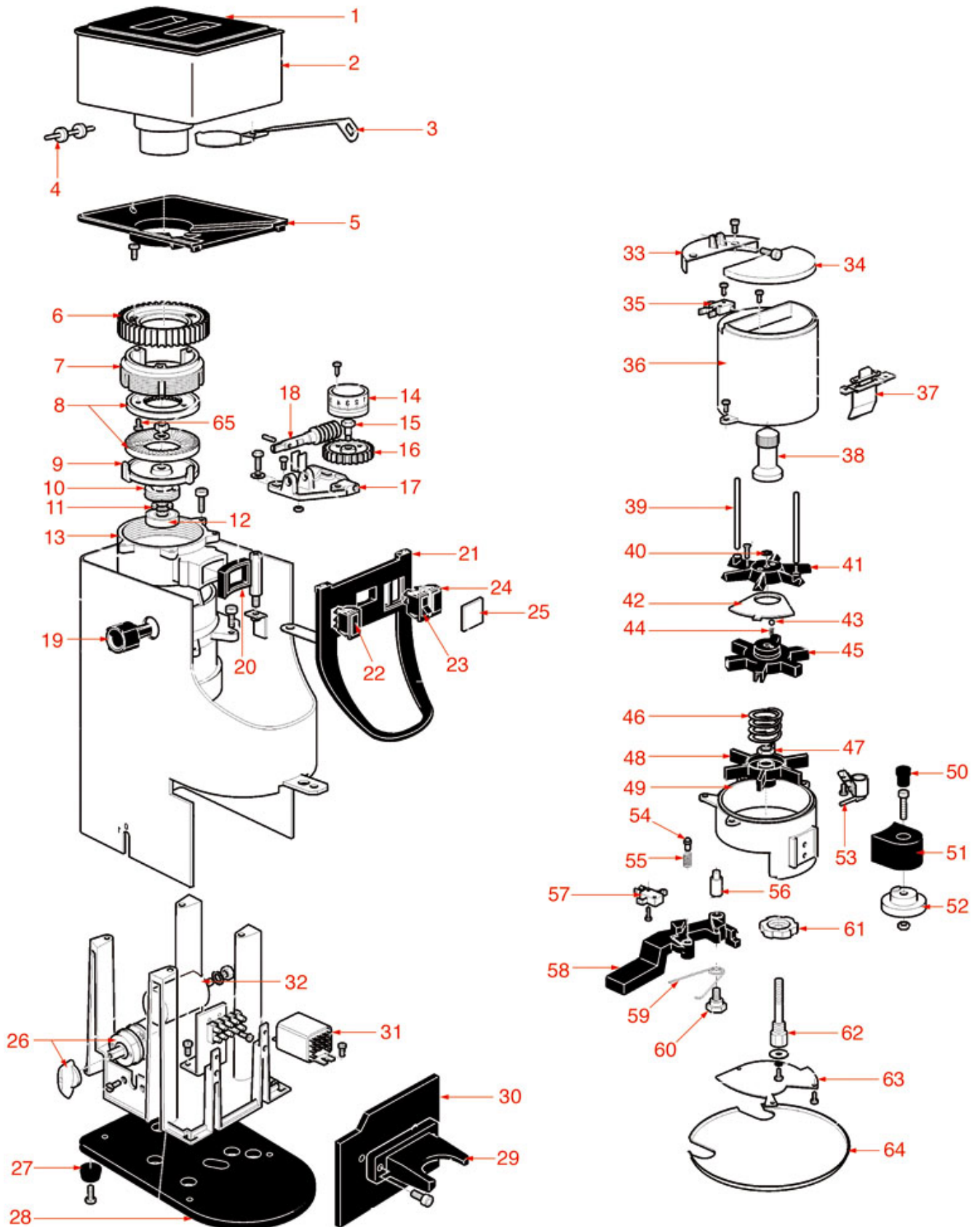
Suitable universal spare parts may not be included





GRINDER ASSEMBLY MD85

MD85



GAIMC01

Positions without LF code no.: upon request



GAGGIA

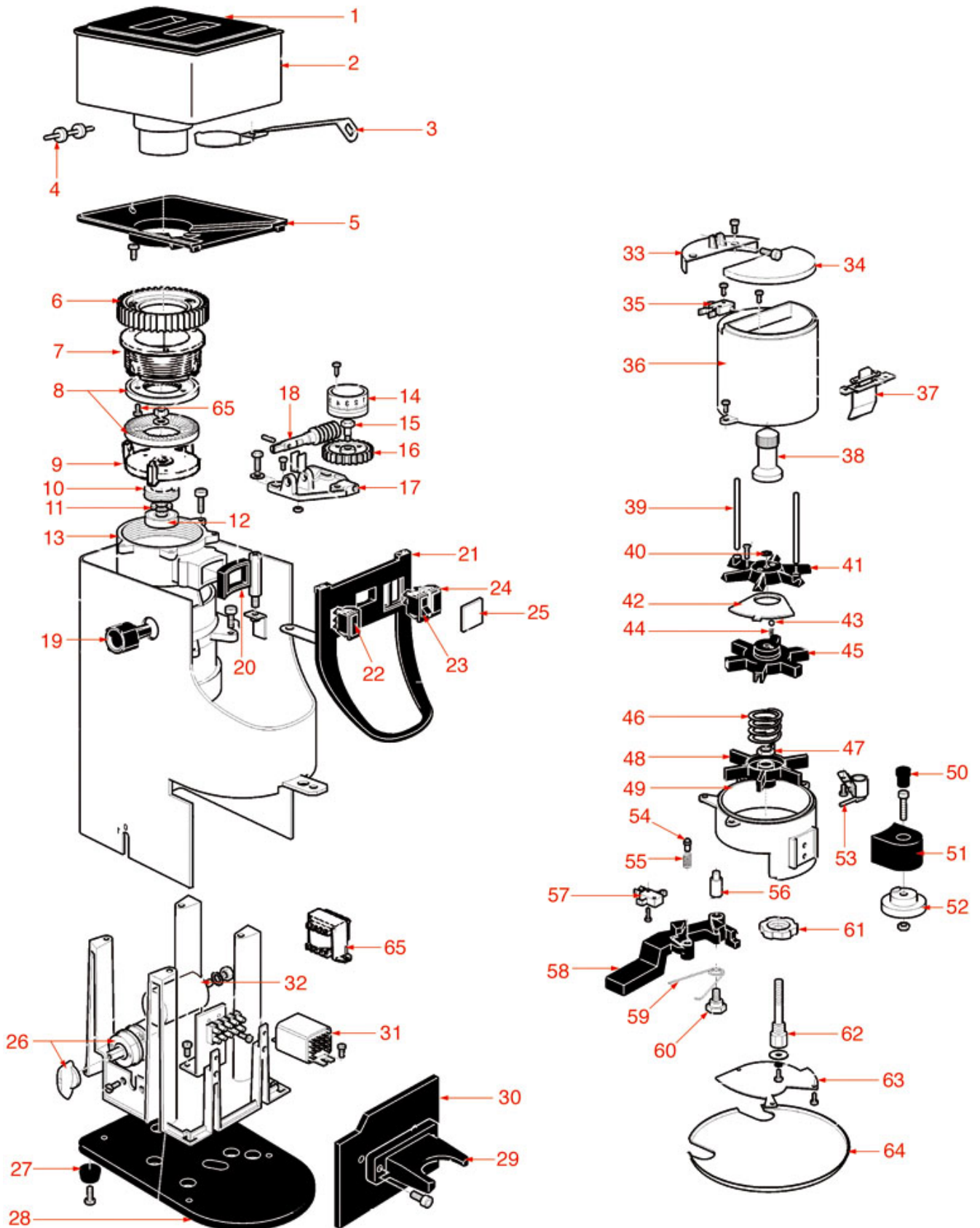


Position	LF code no.	Description
1	1080136	COFFEE HOPPER LID
8	1251007	GRINDING BURRS ARISTARCO-GAGGIA(PAIR) RH
26	1057027	SELECTOR SWITCH 0-1 POSITIONS 16A 400V
35	3240123	MICROSWITCH ROLD VRSRB1DA1
41	1343078	TOP STAR
42	1343077	PLATE SCRAP SEPARATOR
46	1250259	STAR SPRING
58	1225039	DISPENSER LEVER
59	1250258	DOSER LEVER RETURN SPRING
61	1225038	RATCHET 6 TEETH
65	1528001	COUNTERSUNK FLAT HEAD SCREWS M4x10



GRINDER ASSEMBLY MD64

MD64



GAIMC02

Positions without LF code no.: upon request



GAGGIA

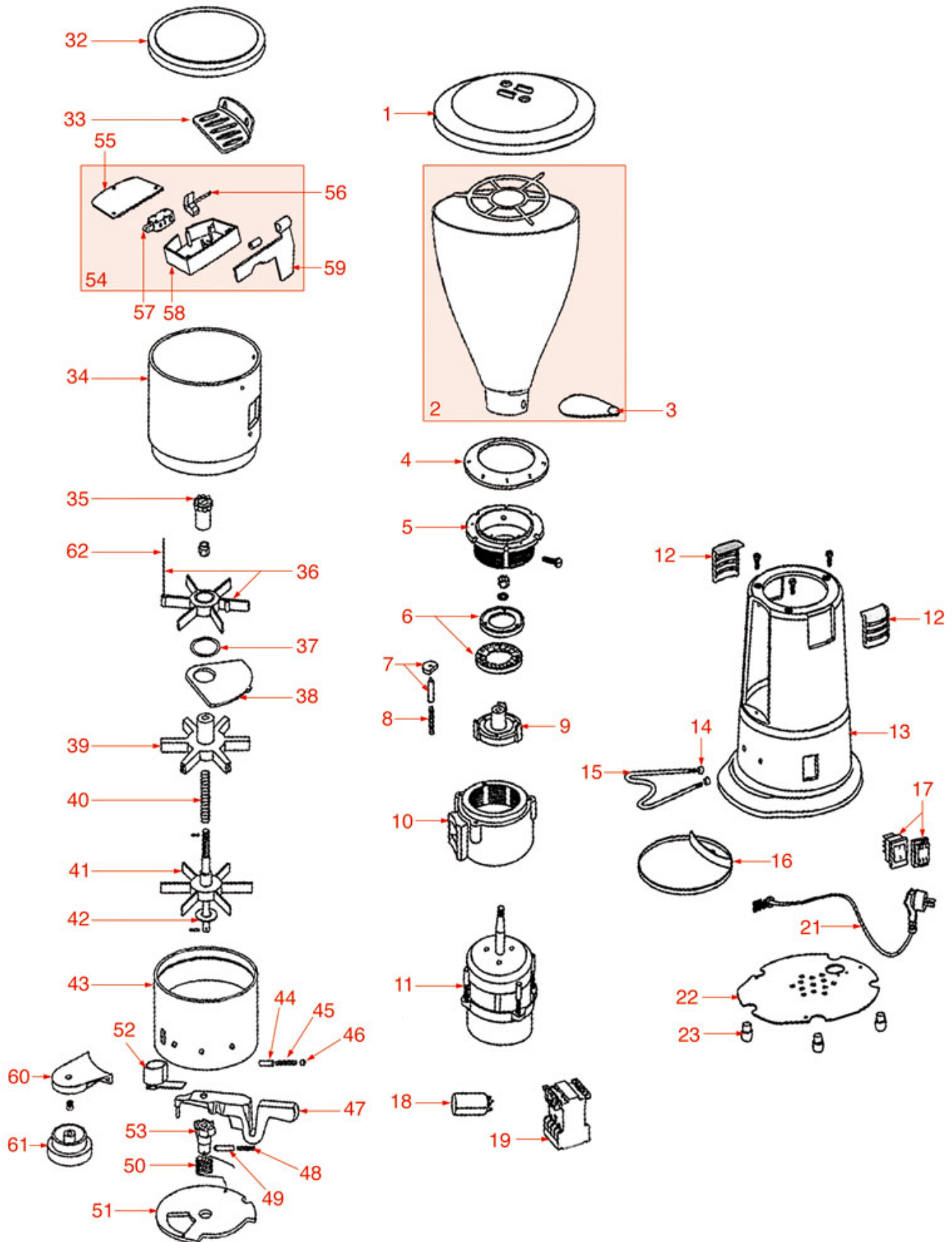


Position	LF code no.	Description
1	1080136	COFFEE HOPPER LID
35	3240123	MICROSWITCH ROLD VRSRB1DA1
41	1343078	TOP STAR
42	1343077	PLATE SCRAP SEPARATOR
46	1250259	STAR SPRING
58	1225039	DISPENSER LEVER
59	1250258	DOSER LEVER RETURN SPRING
61	1225038	RATCHET 6 TEETH
65	1528001	COUNTERSUNK FLAT HEAD SCREWS M4x10



GRINDER ASSEMBLY MD58 COMPACT

MD58 COMPACT





GAGGIA

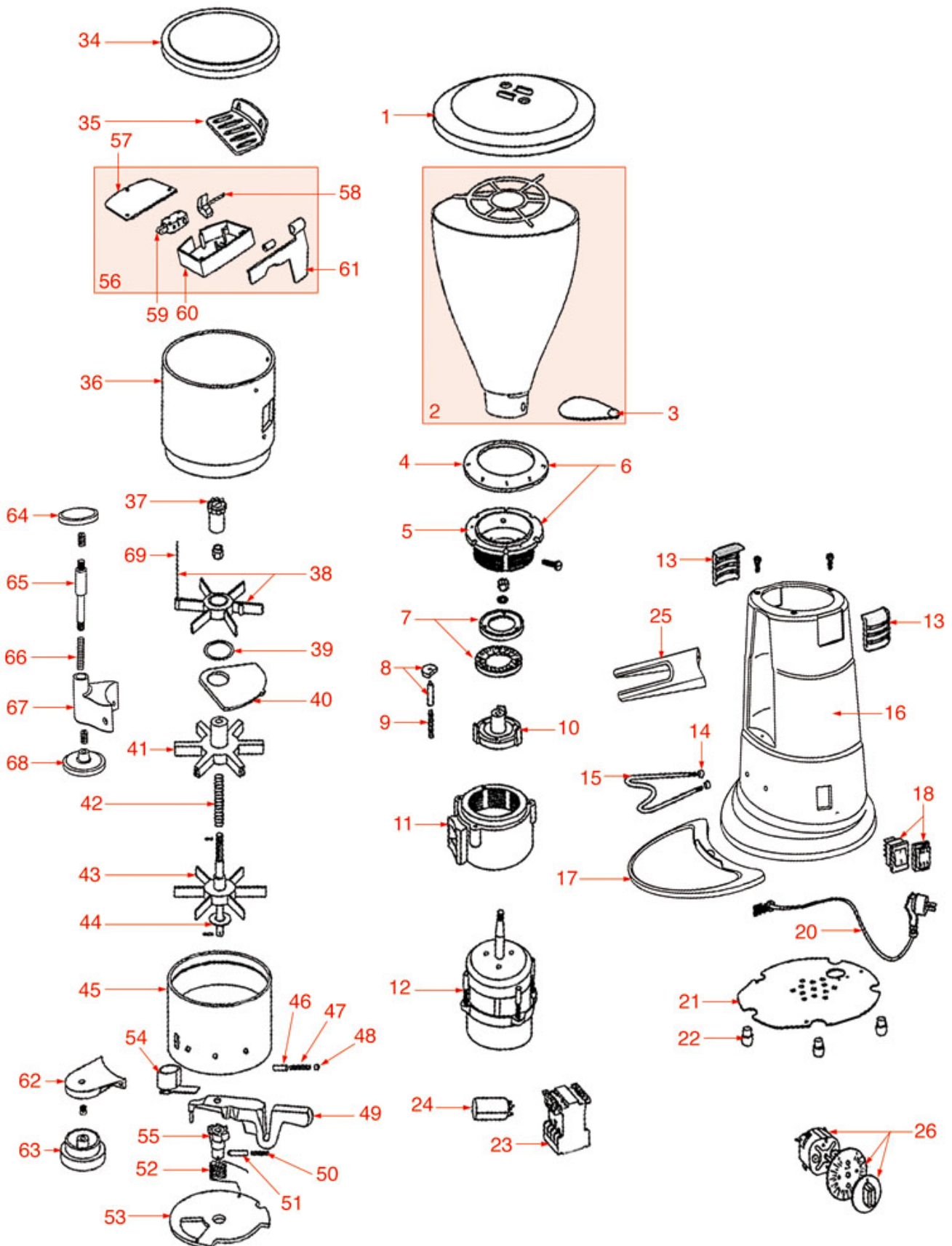


Position	LF code no.	Description
1	1252715	COFFEE HOPPER LID
2	1252716	COFFEE HOPPER
3	1080068	COFFEE CONTAINER CLOSING SHEET
4	1251306	BURRS HOLDER UPPER RING NUT M4-M5
6	1251308	GRINDING BURRS MACAP (PAIR) RIGHT
7	1252710	GRINDING BURRS LOCKING PIN
8	1250353	GRINDING BURRS LOCKING SPRING
9	1251309	GRINDING BURRS BOTTOM HOLDER
12	1252425	AIR INLET
15	1252714	FILTER HOLDER FORK
16	1252419	COFFEE COLLECTING TRAY \varnothing 138 mm
17	1319350	WHITE BIPOLAR SWITCH 16A 250V
17	3319012	BIPOLAR SWITCH GREEN 16A 250V
18	3068010	CAPACITOR DUCATI ENERGIA 6,3 μ F
19	3446556	CONTACTOR LOVATO BG0910A
23	1313008	COFFEE GRINDER HARD FOOT \varnothing 15 mm
32	1252700	DOSER LID \varnothing 130 mm
33	1252718	PROTECTION GRID
34	1090012	DOSER CYLINDER \varnothing 124x90 mm
34	1385203	DOSER CYLINDER \varnothing 125x90 mm
35	1241750	COFFEE ADJUSTER
36	1343300	COMPLETE STAR WITHOUT BOSS
37	1252702	DOSER BLADE RING
39	1343301	STAR WITH BOSS
40	1250350	DOSER BOSS SPRING
41	1343302	STAR WITH THREADED PIN
44	1252428	DOSER CASE PIN \varnothing 6x24 mm
46	1252421	PIN CAP \varnothing 6x6 mm
47	1252706	DOSER LEVER
48	1252707	DOSER LEVER SPRING \varnothing 4.5x24 mm
49	1252424	DOSER LEVER PIN \varnothing 5x17 mm
50	1250352	DOSER TORSION SPRING
51	1090014	DOSER BOTTOM LID
52	1252704	COUNTER FOR COFFEE GRINDER
53	1252705	DOSER PAWL
54	1240050	MICROSWITCH BOX ASSEMBLY
57	3240123	MICROSWITCH ROLD VRSRB1DA1
59	1240051	DOSER FLAP
60	1385202	TAMPER HOLDER
61	1385200	TAMPER \varnothing 57 mm
61	1385201	TAMPER \varnothing 51.5 mm
62	1343060	PIN FR DOSER SCRAPER \varnothing 2x57 mm



GRINDER ASSEMBLY MD64 NEW

MD64 NEW





GAGGIA

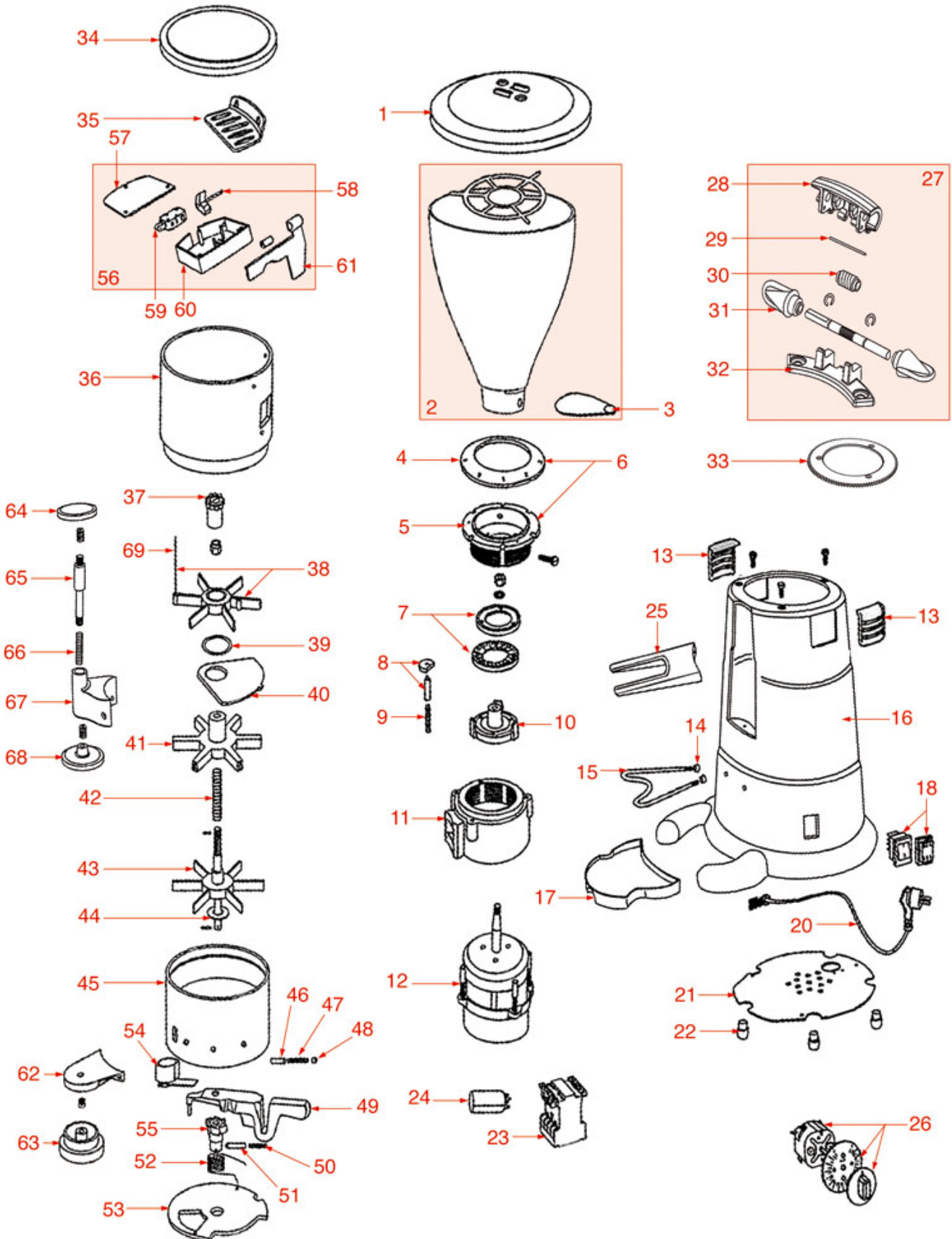


Position	LF code no.	Description
1	1252708	COFFEE HOPPER LID
2	1252709	COFFEE HOPPER
3	1080069	COFFEE CONTAINER CLOSING SHEET
6	1251303	GRINDING BURRS TOP HOLDER MX
7	1251304	GRINDING BURRS MACAP (PAIR) RIGHT
8	1252710	GRINDING BURRS LOCKING PIN
9	1250353	GRINDING BURRS LOCKING SPRING
10	1251305	GRINDING BURRS BOTTOM HOLDER MODEL MX
13	1252425	AIR INLET
15	1252714	FILTER HOLDER FORK
17	1252420	COFFEE COLLECTING TRAY
18	1319350	WHITE BIPOLAR SWITCH 16A 250V
18	3319012	BIPOLAR SWITCH GREEN 16A 250V
22	1313008	COFFEE GRINDER HARD FOOT \varnothing 15 mm
23	3446556	CONTACTOR LOVATO BG0910A
24	3068016	CAPACITOR DUCATI ENERGIA 10 μ F
24	3068024	CAPACITOR DUCATI ENERGIA 16 μ F
26	1446300	TIMER 4 MINUTES M2
34	1252700	DOSER LID \varnothing 130 mm
35	1252718	PROTECTION GRID
36	1090013	DOSER CYLINDER \varnothing 124x113 mm
36	1252701	DOSER CYLINDER
37	1241750	COFFEE ADJUSTER
38	1343300	COMPLETE STAR WITHOUT BOSS
39	1252702	DOSER BLADE RING
41	1343301	STAR WITH BOSS
42	1250350	DOSER BOSS SPRING
43	1343302	STAR WITH THREADED PIN
46	1252428	DOSER CASE PIN \varnothing 6x24 mm
48	1252421	PIN CAP \varnothing 6x6 mm
49	1252706	DOSER LEVER
50	1252707	DOSER LEVER SPRING \varnothing 4.5x24 mm
51	1252424	DOSER LEVER PIN \varnothing 5x17 mm
52	1250352	DOSER TORSION SPRING
53	1090014	DOSER BOTTOM LID
54	1252704	COUNTER FOR COFFEE GRINDER
55	1252705	DOSER PAWL
56	1252719	AUTOMATIC MICROSWITCH BOX
59	3240123	MICROSWITCH ROLD VRSRB1DA1
61	1240049	DOSER FLAP
62	1385202	TAMPER HOLDER
63	1385200	TAMPER \varnothing 57 mm
63	1385201	TAMPER \varnothing 51.5 mm
66	1250146	COFFEE TAMPER SPING \varnothing 10x65 mm
68	1385015	COFFEE TAMPER \varnothing 57 mm
69	1343060	PIN FR DOSER SCRAPER \varnothing 2x57 mm



GRINDER ASSEMBLY MD75

MD75



GAIMC05

Positions without LF code no.: upon request



GAGGIA



Position	LF code no.	Description
1	1252708	COFFEE HOPPER LID
2	1252709	COFFEE HOPPER
3	1080069	COFFEE CONTAINER CLOSING SHEET
7	1251310	GRINDING BURRS MACAP (PAIR) RIGHT
8	1252710	GRINDING BURRS LOCKING PIN
9	1250353	GRINDING BURRS LOCKING SPRING
13	1252425	AIR INLET
15	1252714	FILTER HOLDER FORK
17	1252418	COFFEE COLLECTING TRAY
18	1319350	WHITE BIPOLAR SWITCH 16A 250V
18	3319012	BIPOLAR SWITCH GREEN 16A 250V
22	1313007	COFFEE GRINDER SOFT FOOT \varnothing 15 mm
23	3446556	CONTACTOR LOVATO BG0910A
24	3068027	CAPACITOR DUCATI ENERGIA 20 μ F
26	1446300	TIMER 4 MINUTES M2
27	1252426	COMPLETE MICROMETRIC ADJUSTER
33	1252422	ADJUSTMENT TOOTHED RING NUT \varnothing 106 mm
33	1252423	ADJUSTMENT TOOTHED RING NUT \varnothing 114 mm
33	1252427	ADJUSTMENT TOOTHED RING NUT \varnothing 98 mm
34	1252700	DOSER LID \varnothing 130 mm
35	1252718	PROTECTION GRID
36	1090013	DOSER CYLINDER \varnothing 124x113 mm
36	1252701	DOSER CYLINDER
37	1241750	COFFEE ADJUSTER
38	1343300	COMPLETE STAR WITHOUT BOSS
39	1252702	DOSER BLADE RING
41	1343301	STAR WITH BOSS
42	1250350	DOSER BOSS SPRING
43	1343302	STAR WITH THREADED PIN
46	1252428	DOSER CASE PIN \varnothing 6x24 mm
48	1252421	PIN CAP \varnothing 6x6 mm
49	1252706	DOSER LEVER
50	1252707	DOSER LEVER SPRING \varnothing 4.5x24 mm
51	1252424	DOSER LEVER PIN \varnothing 5x17 mm
52	1250352	DOSER TORSION SPRING
53	1090014	DOSER BOTTOM LID
54	1252704	COUNTER FOR COFFEE GRINDER
55	1252705	DOSER PAWL
56	1252719	AUTOMATIC MICROSWITCH BOX
59	3240123	MICROSWITCH ROLD VRSRB1DA1
61	1240049	DOSER FLAP
62	1385202	TAMPER HOLDER
63	1385200	TAMPER \varnothing 57 mm
63	1385201	TAMPER \varnothing 51.5 mm
66	1250146	COFFEE TAMPER SPING \varnothing 10x65 mm
68	1385015	COFFEE TAMPER \varnothing 57 mm
69	1343060	PIN FR DOSER SCRAPER \varnothing 2x57 mm



Suitable for:

GAGGIA



Suitable for:

Accident prevention devices-protections

1252718 PROTECTION GRID



GAGGIA 4931C0007M110

Adjustement rings for coffee grinder

1252422 ADJUSTMENT TOOTHED RING NUT \varnothing 106 mm



GAGGIA 4931C0007M162A

1252423 ADJUSTMENT TOOTHED RING NUT \varnothing 114 mm



GAGGIA 4931C0007M163A

1252427 ADJUSTMENT TOOTHED RING NUT \varnothing 98 mm



GAGGIA 4931C0007M158A

Bodies

1252425 AIR INLET



GAGGIA 4931C0007M141

1251306 BURRS HOLDER UPPER RING NUT M4-M5
for Grinder-dispenser (GAGGIA) MD58COMPACT



GAGGIA 4931C0007M158

Brushes

1384023 BRUSH FOR CLEANING 50 mm



GAGGIA

1384001 BRUSH FOR COFFEE SHOWER



GAGGIA WGA5001033000

Suitable for:

Suitable for:

1384002 BRUSH FOR MAINTENANCE

1384014 BRUSH FOR SHOWER RED



GAGGIA

GAGGIA

1384009 CLEANING BRUSH



GAGGIA 127390100

GAGGIA 9991.068

Capacitors, electrical

3068016 CAPACITOR DUCATI ENERGIA 10 μ F
 450V 50/60Hz
 operating temperature -25 + 85°C
 lead connector 6.35x0.8 mm
 \varnothing 36xh58 mm

3068024 CAPACITOR DUCATI ENERGIA 16 μ F
 450V 50/60Hz
 operating temperature -25 + 85°C
 lead connector 6.35x0.8 mm
 \varnothing 36xh70 mm



GAGGIA 4931C00061107

GAGGIA 4931C00061108

3068027 CAPACITOR DUCATI ENERGIA 20 μ F
 450V 50/60Hz
 operating temperature -25 + 85°C
 lead connector 6.35x0.8 mm
 \varnothing 40xh70 mm

3068010 CAPACITOR DUCATI ENERGIA 6,3 μ F
 450V 50/60Hz
 operating temperature -25 + 85°C
 lead connection 6.35x0.8 mm
 \varnothing 32xh55 mm



GAGGIA 4931C00061128

GAGGIA 4931C00061126

3068014 CAPACITOR DUCATI ENERGIA 8 μ F
 450V 50/60Hz
 operating temperature -25 + 85°C
 lead connection 6.35x0.8 mm
 \varnothing 32xh55 mm

3068080 CAPACITOR ELECTRICAL 10 μ F
 450V 50/60Hz - \varnothing 30xh71 mm



GAGGIA DM1696/001

GAGGIA 4931C00061107



Suitable for:

3068083 CAPACITOR ELECTRICAL 16 μ F
450V 50/60Hz - \varnothing 35xh71 mm



GAGGIA 4931C00061108

Suitable for:

3068084 CAPACITOR ELECTRICAL 20 μ F
450V 50/60Hz - \varnothing 40xh71 mm



GAGGIA 4931C00061128

3068097 CAPACITOR ELECTRICAL 6.3 μ F
450V 50/60Hz - \varnothing 30xh51 mm



GAGGIA 4931C00061126

3068079 CAPACITOR ELECTRICAL 8 μ F
450V 50/60Hz - \varnothing 30xh71 mm



GAGGIA DM1696/001

Coffee measuring spoons

1069001 PLASTIC MEASURING SPOON 20 ml



GAGGIA WGADM1017

GAGGIA 146680159

GAGGIA 146680659

1069002 STAINLESS STEEL MEASURING SPOON 20 ml



GAGGIA

Contactors

3446556 CONTACTOR LOVATO BG0910A
coil 9A 230V 50/60Hz 4Kw
3 normally open contacts
1 normally open auxiliary contact



GAGGIA 4931C00061002

3446227 AUXILIARY CONTACT LOVATO G218
10A
1 contact NO
1 contact NC



Containers for coffee

1080068 COFFEE CONTAINER CLOSING SHEET
for Grinder-dispenser (GAGGIA) MD58COMPACT



GAGGIA

1080069 COFFEE CONTAINER CLOSING SHEET
for Grinder-dispenser (GAGGIA) MD64NEW - MD75



GAGGIA 4931C0007M101C



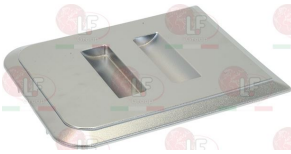
Suitable for:

1252709 COFFEE HOPPER
for Grinder-dispenser (GAGGIA) MD64NEW - MD75



GAGGIA 4931C0007M113

1080136 COFFEE HOPPER LID
for Grinder-dispenser (GAGGIA) MD64 - MD85



GAGGIA MDB0226

1252715 COFFEE HOPPER LID
for Grinder-dispenser (GAGGIA) MD58COMPACT



GAGGIA 4931C0007M156

GAGGIA



Suitable for:

1252716 COFFEE HOPPER
for Grinder-dispenser (GAGGIA) MD58COMPACT



GAGGIA 4931C0007M157

1252708 COFFEE HOPPER LID
for Grinder-dispenser (GAGGIA) MD64NEW - MD75



GAGGIA 4931C0007M114

Counters

1252704 COUNTER FOR COFFEE GRINDER
for Grinder-dispenser (GAGGIA) MD58COMPACT
MD64NEW - MD75



GAGGIA 4931C0009M102

Detergents

1092213 DETERGENT GRIND CLEANER 340 g
detergent for grinders cleaning
natural grain-based ingredients
100% biological
please see the attached documentation for use



GAGGIA



Suitable for:

GAGGIA



Suitable for:

Dosers for coffee

1090014 DOSER BOTTOM LID



GAGGIA 4931C0007M138

1252701 DOSER CYLINDER
for Grinder-dispenser (GAGGIA) MD64NEW - MD75



GAGGIA 4931C0007M106

1090013 DOSER CYLINDER ø 124x113 mm
for MACAP
MX-MXT-MXA-MXK-MXKT-MXKA-M7-M7T-M7A-M7K
M7KT-M7KA-M7900-M7T900-M7A900-MX900-MXT900-MXA900
for SPAZIALE MX-MXT-MXA-M900-M900T-M900A
ASTRO 8/CA-ASTRO 8-8/A-ASTRO 12-12/A
for GAGGIA MD64 NEW-MD75
for Grinder-dispenser (GAGGIA) MD64 - MD75



GAGGIA 4931C0007M1062

1090012 DOSER CYLINDER ø 124x90 mm
for Grinder-dispenser (GAGGIA) MD58COMPACT



GAGGIA 4931C0007M1591

1385203 DOSER CYLINDER ø 125x90 mm
for Grinder-dispenser (GAGGIA) MD58COMPACT



GAGGIA 4931C0007M159

1252700 DOSER LID ø 130 mm
for Grinder-dispenser (GAGGIA) MD58COMPACT
MD64NEW - MD75



GAGGIA 4931C0007M105

1343060 PIN FR DOSER SCRAPER ø 2x57 mm



GAGGIA 4931C0004M107

Feet

1313008 COFFEE GRINDER HARD FOOT ø 15 mm
for Grinder-dispenser (GAGGIA) MD58COMPACT
MD64NEW



GAGGIA 4931C00071614

1313007 COFFEE GRINDER SOFT FOOT ø 15 mm
for Grinder-dispenser (GAGGIA) MD75



GAGGIA 4931C000716140



Forks for portafilter coffee grinder

- 1252714 FILTER HOLDER FORK**
for Grinder-dispenser (GAGGIA) MD58COMPACT
MD64NEW - MD75



GAGGIA 4931C0004M109

Grinders

- 1251146 CERAMIC GRINDING BURRS (PAIR) LEFT**
external \varnothing 48 mm - internal \varnothing 28 mm
thickness 6.5 mm



GAGGIA 146520100

- 1251098 CONIC.GRIND.BURRS GAGGIA (PAIR) RH**
external \varnothing 47.8/31.7 mm - internal \varnothing 28/10 mm
thickness 20 mm



GAGGIA 226477700

- 1251199 CONICAL GRIND.BURRS PAIR SAECO/GAGGIA RH**
 \varnothing external 47.8/31.7 mm - \varnothing internal 28/10 mm
thickness 20 mm



GAGGIA 226477700

- 1251006 GRINDING BURRS ARISTARCO-GAGGIA (PAIR) RH**
external \varnothing 58 mm - internal \varnothing 34 mm
thickness 8 mm - 3 mounting holes



GAGGIA

- 1251007 GRINDING BURRS ARISTARCO-GAGGIA (PAIR) RH**
external \varnothing 84 mm - internal \varnothing 45 mm
thickness 9 mm - 3 mounting holes
for Grinder-dispenser (GAGGIA) MD85



GAGGIA MDB0248

- 1251014 GRINDING BURRS ARISTARCO-GAGGIA (PAIR) RH**
external \varnothing 74 mm - internal \varnothing 42.5 mm
thickness 9 mm - 3 fixing holes



GAGGIA

- 1251304 GRINDING BURRS MACAP (PAIR) RIGHT**
external \varnothing 65 mm - internal \varnothing 38 mm
thickness 8.5 mm - 3 fixing holes
for Grinder-dispenser (GAGGIA) MD64NEW



GAGGIA 4931C0004M122

- 1251308 GRINDING BURRS MACAP (PAIR) RIGHT**
external \varnothing 58 mm - internal \varnothing 34 mm
thickness 8.5 mm - 3 fixing holes



GAGGIA 4931C0004M135



Suitable for:

1251310 GRINDING BURRS MACAP (PAIR) RIGHT
external \varnothing 74 mm - internal \varnothing 42 mm
thickness 9 mm - 3 fixing holes
for Grinder-dispenser (GAGGIA) MD75



GAGGIA 4931C004M121

Suitable for:

1251173 GRINDING BURRS PAIR GAGGIA RH
external \varnothing 64 mm - internal \varnothing 37 mm
thickness 8.5 mm - 3 fixing holes



GAGGIA 9141.072

Grinding burr holders

1251309 GRINDING BURRS BOTTOM HOLDER
for Grinder-dispenser (GAGGIA) MD58COMPACT



GAGGIA 4931C0002M108

1251305 GRINDING BURRS BOTTOM HOLDER MODEL MX
for Grinder-dispenser (GAGGIA) MD64NEW



GAGGIA 4931C0002M104

1251303 GRINDING BURRS TOP HOLDER MX
new model
for Grinder-dispenser (GAGGIA) MD64NEW



GAGGIA 4931C0002M101

Ironmongery (screws,nuts,washers)

1528001 COUNTERSUNK FLAT HEAD SCREWS M4x10
slotted - stainless steel
UNI 6109 - DIN 963 - ISO 2009



GAGGIA UNI6107-4X10I

1528501 COUNTERSUNK HEAD SCREWS WITH SHELL M5x12
cross recessed - stainless steel
UNI 7689 - DIN 966 - ISO 7047



GAGGIA D17987-5X8I

3528291 CROSS HEAD FLUSH SCREW M4x8
cross-shaped - st./steel
UNI 7688 - DIN 965 - ISO 7046



GAGGIA 129854021

1528100 CYLINDER HEAD SCREW M4x12
stainless steel - cross cut
UNI 7687 - DIN 7985 - ISO 7045



GAGGIA U046.003

GAGGIA WGADI7986-4X10I

Suitable for:

Suitable for:

1184012 CYLINDER HEAD SCREW M5x10
stainless steel - with hexagon socket
UNI 9327 - DIN 7984

1252702 DOSER BLADE RING



GAGGIA S403210

GAGGIA UN5931-5X12I

GAGGIA UN5931-5X12IF

GAGGIA 4931C0004M110

GAGGIA UN5931-5X12Z

1528622 HEXAGON HEAD SCREW M8x16
stainless steel - UNI 5739 - DIN 933 - ISO 4017

3528232 HEXAGONAL NUT MEDIUM SIZE M4
brass - UNI 5588 - DIN 934 - ISO 4032



GAGGIA UN5931-8X16Z

GAGGIA WGAD16921-8X16Z

GAGGIA S402004

3060054 HEXAGONAL NUT M10 MEDIUM
stainless steel - UNI 5588 - DIN 934 - 4032

1528621 HEXAGONAL NUT M8 SHORT M8
stainless steel - UNI 5589 - DIN 936 - ISO 4035



GAGGIA U302.006

GAGGIA WGAUN5587-8Z

1348814 TOOTHED WASHER EXT. M4
internal/external \varnothing 4.3/8 mm - thickness 0.5 mm
stainless steel - UNI 8842 A - DIN 6798 A



GAGGIA S401005

Knobs

1241750 COFFEE ADJUSTER

1241542 KNOB SELECTOR SWITCH BLACK \varnothing 33 mm
hole for square pin 5x5 mm
for selector switch



GAGGIA 4931C0007M123

GAGGIA 12000822



Suitable for:

GAGGIA



Suitable for:

Levers

1225039 DISPENSER LEVER
for Grinder-dispenser (GAGGIA) MD64 - MD85



GAGGIA MDB0346

1252706 DOSER LEVER
for Grinder-dispenser (GAGGIA) MD58COMPACT
MD64NEW - MD75



GAGGIA 4931C0002M103

Microswitches, mechanical

1252719 AUTOMATIC MICROSWITCH BOX
for Grinder-dispenser (GAGGIA) MD64NEW - MD75



GAGGIA 4931C0007M139A

1240049 DOSER FLAP



GAGGIA 4931C0007M150

1240051 DOSER FLAP



GAGGIA 4931C0007M150A

1240050 MICROSWITCH BOX ASSEMBLY
for Grinder-dispenser (GAGGIA) MD58COMPACT



GAGGIA 4931C0007M139B

3240407 MICROSWITCH KIT 16A 250V
2 locking positions
the kit includes 5 levers:
lever 75 mm - lever 27 mm - lever 15 mm
lever 15 mm with wheel - lever 27 mm with wheel



GAGGIA DMA151

3240568 MICROSWITCH CROUZET EF83161.3
1NO+NC 16A 250V
complete with roll lever 28 mm



3240123 MICROSWITCH ROLD VRSRB1DA1
16A 250V



GAGGIA DM0754

GAGGIA 4931C00061019

**O-Ring and ORM gaskets****1186421 O-RING 02018 EPDM**

GAGGIA 140321461

1186352 O-RING 02050 EPDM

GAGGIA 140322261

Pawls for coffee grinder dosers**1252705 DOSER PAWL**

GAGGIA 4931C0002M106

1225038 RATCHET 6 TEETH

GAGGIA MDB0286

Pins**1252426 COMPLETE MICROMETRIC ADJUSTER**

GAGGIA 4931C0007M11700

1252428 DOSER CASE PIN \varnothing 6x24 mm

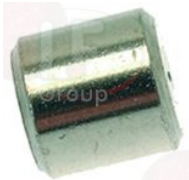
GAGGIA 4931C0004M112

1252424 DOSER LEVER PIN \varnothing 5x17 mm

GAGGIA 4931C0004M111

1252710 GRINDING BURRS LOCKING PIN

GAGGIA 4931C0002M102

1252421 PIN CAP \varnothing 6x6 mm

GAGGIA 4931C0001M138



Suitable for:

GAGGIA



Suitable for:

Rotary switches

1057027 SELECTOR SWITCH 0-1 POSITIONS 16A 400V
square pin 5x5 mm
for Grinder-dispenser (GAGGIA) MD85



GAGGIA DM0755/001

Springs

1250146 COFFEE TAMPER SPING \varnothing 10x65 mm
for FIORENZATO CS DOGE63-DOGE83
for GAGGIA MD64 NEW-MD75
for MACAP
MX-MXT-MXA-MX900-MXT900-MXA90-M7-M7T-M7A
M7900-M7T900-M7A90-MXK-MXKT-MXKA-M7K-M7KT-M7KA
for SPAZIALE MX-MXT-MXA-ASTRO 8/CA-ASTRO 8-8/A
ASTRO 12-12/A-M900-M900T-M900A

1250350 DOSER BOSS SPRING



GAGGIA 4931C0008M111



GAGGIA 4931C0008M108

1250258 DOSER LEVER RETURN SPRING

1252707 DOSER LEVER SPRING \varnothing 4.5x24 mm



GAGGIA MDB0292



GAGGIA 4931C0008M110

1250352 DOSER TORSION SPRING

1250353 GRINDING BURRS LOCKING SPRING



GAGGIA 4931C0008M102



GAGGIA 4931C0008M109

1250259 STAR SPRING



GAGGIA MDB0256



Stars and spare parts

1343300 COMPLETE STAR WITHOUT BOSS



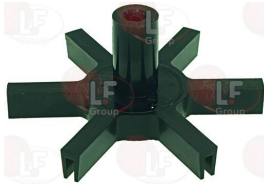
GAGGIA 4931C0002M124

1343077 PLATE SCRAP SEPARATOR



GAGGIA MDB0240

1343301 STAR WITH BOSS



GAGGIA 4931C0002M1241

1343302 STAR WITH THREADED PIN



GAGGIA 4931C0002M1242

1343078 TOP STAR
for Grinder-dispenser (GAGGIA) MD64 - MD85



GAGGIA MDB0215

Switches

3319012 BIPOLAR SWITCH GREEN 16A 250V
16(4)A 250V - max. temperature 120°C
with indicator lamp and push-button cap
mounting hole 22x30 mm - silk screen print 0 - I
for Grinder-dispenser (GAGGIA) MD CONIK
MD58 COMPACT



GAGGIA 4931C00061001

3319780 BLOCK CONNECTION WHITE 22x30 mm



3319779 BLOCK CONNECTIONS BLACK 22x30 mm



3319782 FRAME SAFETY 2 SIDES BLACK 22x30 mm





Suitable for:

3319783 FRAME SAFETY 4 SIDES BLACK 22x30 mm



GAGGIA



Suitable for:

3319501 PUSH-BUTTON PROTECTION CAP
external dimensions 29x36 mm
for switches with mounting hole 22x30 mm



3319016 BIPOLAR SWITCH RED 16A 250V
16(4)A 250V - max. temperature 120°C
with indicator lamp - silk screen printing 0 - I
mounting hole 22x30 mm



3319780 BLOCK CONNECTION WHITE 22x30 mm



GAGGIA 5008002000

3319779 BLOCK CONNECTIONS BLACK 22x30 mm



3319782 FRAME SAFETY 2 SIDES BLACK 22x30 mm



3319783 FRAME SAFETY 4 SIDES BLACK 22x30 mm



3319501 PUSH-BUTTON PROTECTION CAP
external dimensions 29x36 mm
for switches with mounting hole 22x30 mm



1319082 SINGLE-POLE PUSH BUTTON 16A 250V



GAGGIA 12000723

GAGGIA 5024003000

Suitable for:

1319350 WHITE BIPOLAR SWITCH 16A 250V
16(4)A 250V - with push-button cap
silk-screen printing 0 - I
mounting hole 22x30 mm



GAGGIA 4931C00061021

3319779 BLOCK CONNECTIONS BLACK 22x30 mm



Suitable for:

3319780 BLOCK CONNECTION WHITE 22x30 mm



3319782 FRAME SAFETY 2 SIDES BLACK 22x30 mm



3319783 FRAME SAFETY 4 SIDES BLACK 22x30 mm



3319501 PUSH-BUTTON PROTECTION CAP
external dimensions 29x36 mm
for switches with mounting hole 22x30 mm



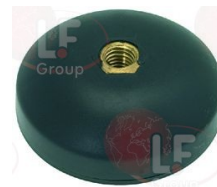
Tampers for coffee

1385015 COFFEE TAMPER ø 57 mm
for Grinder-dispenser (GAGGIA) MD64NEW



GAGGIA 4931C0007M135

1439805 COFFEE TAMPER CAP ø 52 mm



GAGGIA

1385002 NYLON COFFEE TAMPER ø 50/57 mm



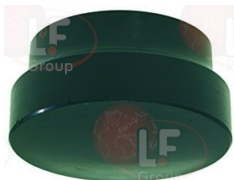
GAGGIA WGA2PR1

1385000 NYLON TAMPER ø 50/52 mm



GAGGIA 2PR1

1385201 TAMPER ø 51.5 mm



GAGGIA 4931C0007M102B

1385200 TAMPER ø 57 mm



GAGGIA 4931C0007M102A



Suitable for:

GAGGIA



Suitable for:

1385202 TAMPER HOLDER
new model



GAGGIA 4931C0007M1071

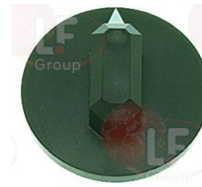
Timers

1446300 TIMER 4 MINUTES M2
manually set mechanical timer
manually set cycle 4 minutes
contact capacity 16(4)A 250V
max temperature 125°C
D-shaped pin \varnothing 6x4.6 mm
complete with silkscreen printed plate and knob
for Grinder-dispenser (GAGGIA) MD64NEW - MD75



GAGGIA 4931C00061004

3241174 BLACK KNOB \varnothing 44 mm
D shaft hole 6x4.6 mm



Trays

1252418 COFFEE COLLECTING TRAY
for Grinder-dispenser (GAGGIA) MD75



GAGGIA 4931C0007M7041

1252420 COFFEE COLLECTING TRAY
for Grinder-dispenser (GAGGIA) MD64NEW



GAGGIA 4931C0007M1031

1252419 COFFEE COLLECTING TRAY \varnothing 138 mm
for Grinder-dispenser (GAGGIA) MD58COMPACT



GAGGIA 4931C0007M115

The data herewith contained may change without notice and LF SpA cannot be held responsible for possible errors stated or resulting by the use of this document. All rights reserved. No part of this publication may be reproduced without written permission by LF SpA.



Distributing Components, Spare Parts & Accessories in original quality worldwide

-
- LF SpA HEADQUARTERS**
via Voltri, 80 - 47522 Cesena (FC) ITALY
Tel. +39 0547 34 11 11 - Fax +39 0547 34 11 10
www.lfricambi724.it - info@lfricambi.it
Export Dept. Tel. +39 0547 34 11 50 - Fax +39 0547 34 11 55
www.lfspareparts724.com - export@lfspareparts.com
- LF SpA HOUSEHOLD COMPONENTS DIVISION**
Via Padriciano, 99 - AREA Science Park - 34149 Trieste (TS) ITALY
Tel. +39 0547 34 12 42 - Fax +39 0547 34 12 48
www.lfspareparts724.com - info@lfspareparts.com
- EPGC Sas FRANCE**
13, Rue des Forts - 59960 Neuville en Ferrain
Tel. +33 (0)3 20 25 06 21 - Fax +33 (0)3 20 25 34 12
www.epgc.com - epgc@epgc.com
- LF GmbH GERMANY**
Junkersstrasse, 3 - D-82178 Puchheim - München
Tel. +49 89 89 45 78 66 - Fax +49 89 89 45 78 88
www.lfersatzteile724.de - info@lfersatzteile.de
- LF China REPUBLIC OF CHINA**
Room 403, No.2, Huadu Mansion, Lane 422, Huanghua Rd.
Minhang Dist. - 201103 Shanghai
Tel. +86 (0)21 33 53 66 31 - Fax +86 (0)21 33 53 66 32
www.lfspareparts724.com - china@lfspareparts.com
- OOO LF RUSSIAN FEDERATION**
Ul. Anatoliya Zhivova, 8 - office 1 - 123100 Moscow
Tel./Fax +7 495 725 26 53
www.lfspareparts724.ru - info@lfspareparts.ru
- LF Repuestos Horeca S.L.U. SPAIN**
Poligono Industrial Carpetania - C/Miguel Faraday, 8 - 28906 Getafe
Tel. +34 91 477 91 00 - Fax +34 91 477 90 81
www.lfrepuestos-horeca724.es - info@lfrepuestos.es
- LF Scandinavia Aps - LF Spareparts S.p.A. DENMARK**
Nupark, 51 - 7500 Holstebro
Tel. +45 70 70 77 33
www.lfspareparts724.dk - denmark@lfspareparts.dk
- LF SpA Cesena (IT) Swiss Branch Steinhausen SWITZERLAND**
Sennweidstrasse, 45 - CH-6312 Steinhausen
Tel. +41 (0)41 760 15 80/1 - Fax +41 (0)41 760 15 85
www.lfersatzteile724.ch - info@lfersatzteile.ch
- LF Spare Parts Ltd. UNITED KINGDOM**
A10a Lakeside Business Park, Broadway Lane
South Cerney, Gloucestershire GL7 5XL
Tel. +44 (0)1285 86 16 25 - Fax +44 (0)1285 86 39 49
www.lfspareparts724.co.uk - info@lfspareparts.co.uk
- LF Central Est Europe S.r.o. CZECH REPUBLIC**
Antala Staska 1859/34
14000 Praha 4 - KRC
Tel. +420 730 156 910
www.lfspareparts724.cz - info@lfspareparts.cz
- LF SPARE PARTS INC. USA**
Legal address:
155 Office Plaza Dr - Suite A - Tallahassee, FL 32301
Business/Mailing address:
1100 South Tower, 225 Peachtree St., N.E. - Atlanta, GA 30303, USA
Tel. +1-404-525-2600 - Fax +1-404-586-3528
www.lfspareparts724.us - info@lfspareparts.us
Tel. West Coast and Midwest: 206-349-1525 Sauro
Tel. East Coast and the Caribbean: 786-817-1764 Luis
-
- AUSTRALIA AND NEW ZEALAND**
www.lfspareparts724.com
andrea.calvio@lfspareparts.com
- AUSTRIA**
www.lfersatzteile724.at
info@lfersatzteile.at
- BALKAN COUNTRIES**
www.lfspareparts724.com
matija.ramov@lfspareparts.com
- BALTIC COUNTRIES**
www.lfspareparts724.com
inara.silina@lfspareparts.com
- LATIN AMERICA AND THE CARRIBEANS**
www.lfrepuestos-horeca724.es
export@lfrepuestos.es
- POLAND**
www.lfspareparts724.pl
info@lfspareparts.pl
- SOUTH KOREA**
www.lfspareparts724.com
fabio.doni@lfspareparts.com
- TURKEY**
www.lfyedekparca724.com
export@lfspareparts.com