



Spare parts for the professional sector: Coffee grinders



Suitable for:

FIORENZATO M.C.



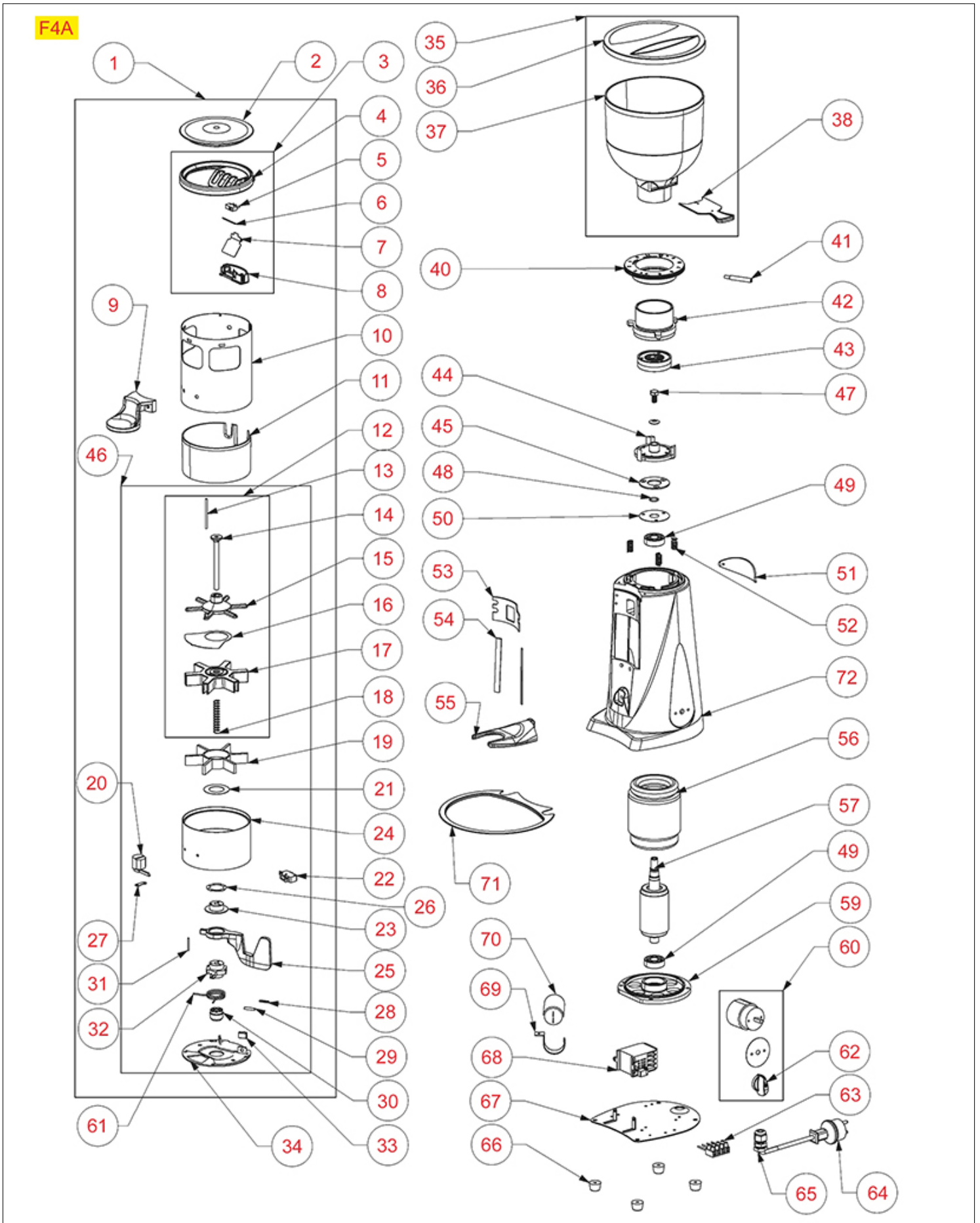
This catalogue is automatically generated.
Therefore, the sequence of the items might
not be always shown at best.
Updates will be issued in case of additions
and/or amendments.

Suitable universal spare parts may not be included





GRINDER ASSEMBLY F4A



Positions without LF code no.: upon request



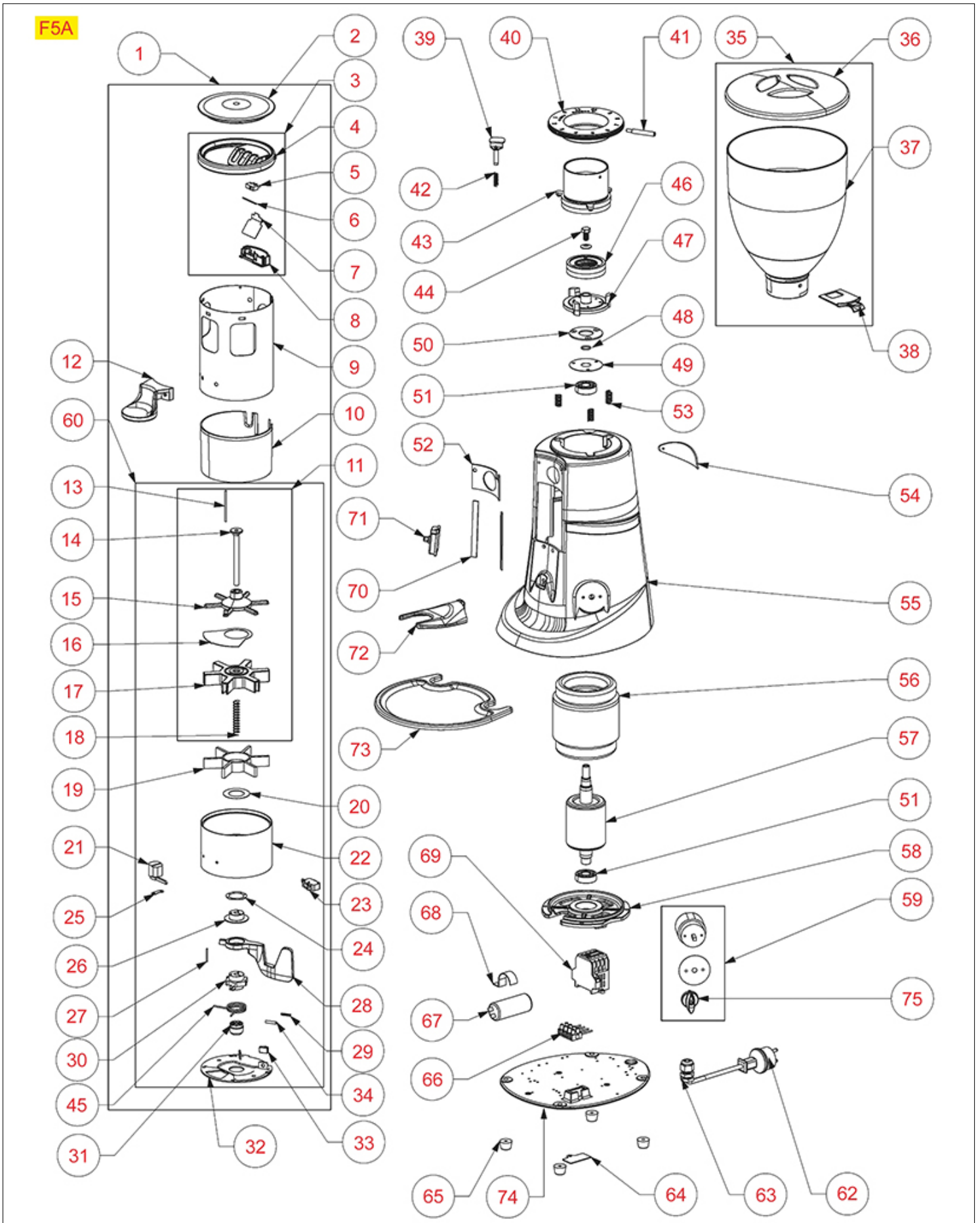
FIORENZATO M.C.



Position	LF code no.	Description
2	1252153	DOSER LID
3	5031434	MICROSWITCH COMPLETE
4	5072516	DOOR RING MICRO
5	1240033	MICROSWITCH CROUZET 0.1A 250V
7	1252155	MICROSWITCH FLAP
9	1385009	COFFEE TAMPER ø 57 mm
9	1385020	COFFEE TAMPER ø 55 mm
18	1250097	STAR LOCKING SPRING
20	5068221	GRINDER-DOSER COUNTER
22	1240034	MICROSWITCH 3A 250V
25	1252159	DOSER LEVER ALUMINIUM RH
28	1250098	PIN THRUST SPRING
29	1252156	PAWL PIN
30	1252158	ADJUSTMENT KNOB
32	5047289	STAINL. STEEL GRINDER-DISPENSER RATCHET
35	5068266	COFFEE HOPPER
41	5032145	ADJUSTMENT PIN
43	5081426	GRINDING BURRS PAIR FIORENZATO MC RH
52	1250209	GRIND.BURR HOLDER LOCKING SPRING
55	1252115	FILTER HOLDER FORK
60	1057006	SELECTOR SWITCH 0-1 POSITIONS 12A 400V
61	1250094	DOSER LEVER RETURN SPRING
68	1454006	CONTACTOR SIEMENS 3TG1010-1AL2



GRINDER ASSEMBLY F5A



Positions without LF code no.: upon request



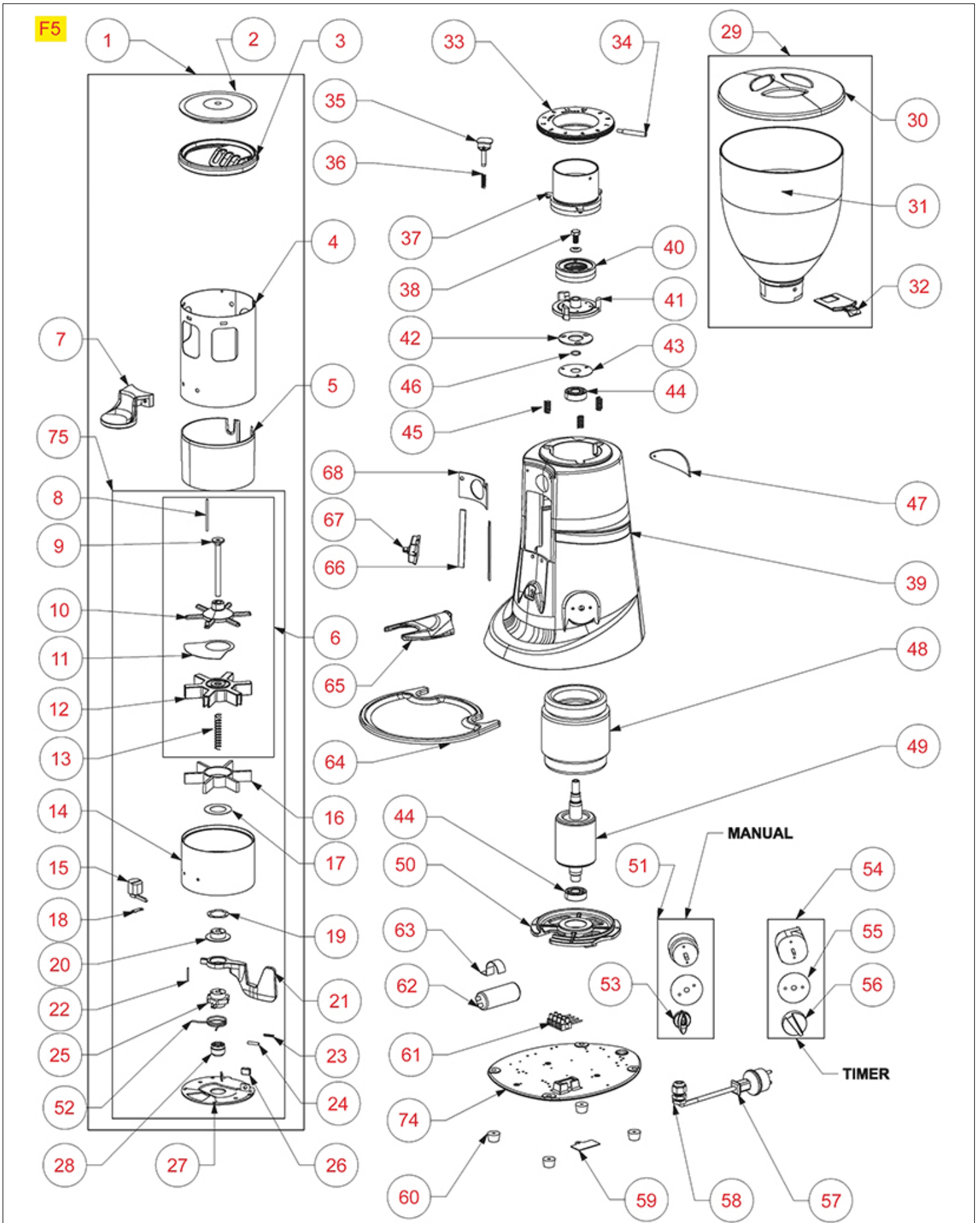
FIorenzato M.C.



Position	LF code no.	Description
2	1252153	DOSER LID
3	5031434	MICROSWITCH COMPLETE
4	5072516	DOOR RING MICRO
5	1240033	MICROSWITCH CROUZET 0.1A 250V
7	1252155	MICROSWITCH FLAP
10	1252154	DOSER CYLINDER
12	1385009	COFFEE TAMPER ø 57 mm
12	1385020	COFFEE TAMPER ø 55 mm
18	1250097	STAR LOCKING SPRING
21	5068221	GRINDER-DOSER COUNTER
23	1240034	MICROSWITCH 3A 250V
28	1252159	DOSER LEVER ALUMINIUM RH
29	1250098	PIN THRUST SPRING
30	5047289	STAINL. STEEL GRINDER-DISPENSER RATCHET
31	1252158	ADJUSTMENT KNOB
34	1252156	PAWL PIN
35	1080034	COFFEE HOPPER COMPLETE
36	1252112	COFFEE HOPPER LID
37	1080034	COFFEE HOPPER COMPLETE
38	1252114	COFFEE HOPPER CLOSING SHEET
41	5032145	ADJUSTMENT PIN
43	5049389	GRINDER HOLDER UPPER GRINDER ø 64 mm
45	1250094	DOSER LEVER RETURN SPRING
46	1251030	GRINDING BURRS PAIR FIorenzato MC RH
53	1250209	GRIND.BURR HOLDER LOCKING SPRING
59	1057006	SELECTOR SWITCH 0-1 POSITIONS 12A 400V
69	1454006	CONTACTOR SIEMENS 3TG1010-1AL2
72	1252115	FILTER HOLDER FORK
73	5047384	COFFEE COLLECTION TRAY



GRINDER ASSEMBLY F5



Positions without LF code no.: upon request



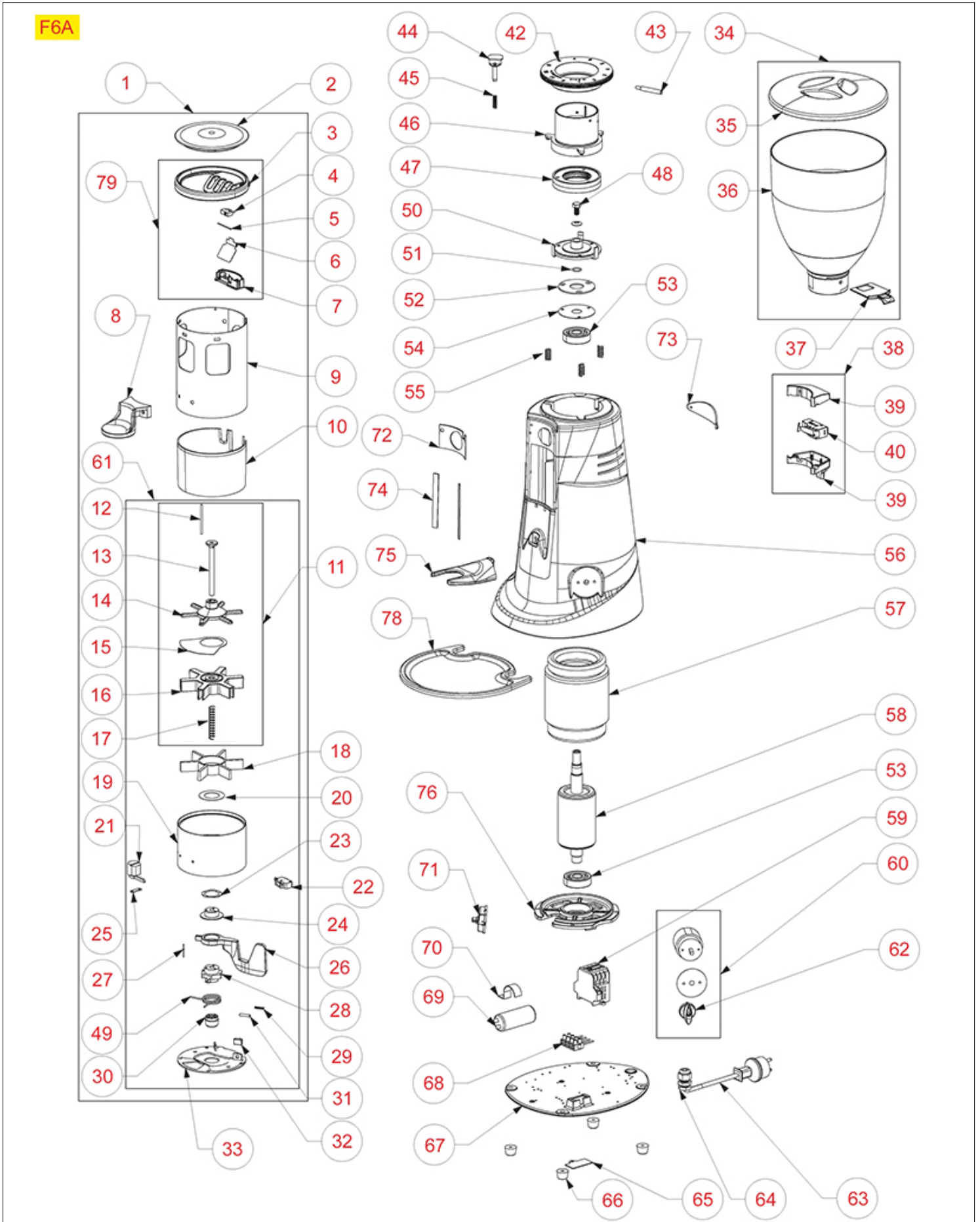
FIORENZATO M.C.



Position	LF code no.	Description
2	1252153	DOSER LID
3	5072516	DOOR RING MICRO
5	1252154	DOSER CYLINDER
7	1385009	COFFEE TAMPER ø 57 mm
7	1385020	COFFEE TAMPER ø 55 mm
13	1250097	STAR LOCKING SPRING
15	5068221	GRINDER-DOSER COUNTER
21	1252159	DOSER LEVER ALUMINIUM RH
23	1250098	PIN THRUST SPRING
24	1252156	PAWL PIN
25	5047289	STAINL. STEEL GRINDER-DISPENSER RATCHET
28	1252158	ADJUSTMENT KNOB
29	1080034	COFFEE HOPPER COMPLETE
30	1252112	COFFEE HOPPER LID
31	1080034	COFFEE HOPPER COMPLETE
32	1252114	COFFEE HOPPER CLOSING SHEET
34	5032145	ADJUSTMENT PIN
37	5049389	GRINDER HOLDER UPPER GRINDER ø 64 mm
40	1251030	GRINDING BURRS PAIR FIORENZATO MC RH
45	1250209	GRIND.BURR HOLDER LOCKING SPRING
52	1250094	DOSER LEVER RETURN SPRING
64	5047384	COFFEE COLLECTION TRAY
65	1252115	FILTER HOLDER FORK



GRINDER ASSEMBLY F6A



Positions without LF code no.: upon request



FIorenzato M.C.

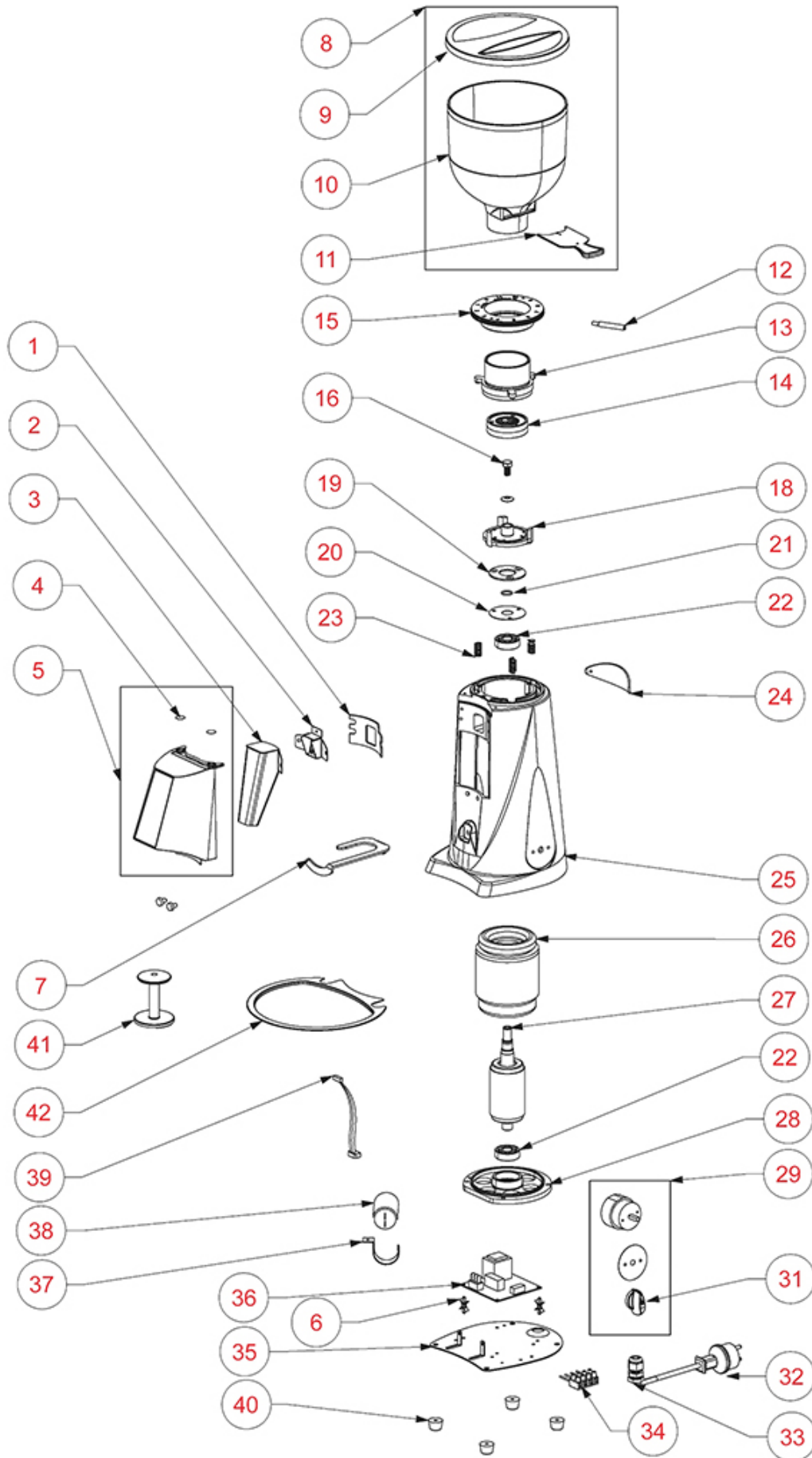


Position	LF code no.	Description
2	1252153	DOSER LID
3	5072516	DOOR RING MICRO
4	1240033	MICROSWITCH CROUZET 0.1A 250V
6	1252155	MICROSWITCH FLAP
8	1385009	COFFEE TAMPER ø 57 mm
8	1385020	COFFEE TAMPER ø 55 mm
10	1252154	DOSER CYLINDER
17	1250097	STAR LOCKING SPRING
21	5068221	GRINDER-DOSER COUNTER
22	1240034	MICROSWITCH 3A 250V
26	1252159	DOSER LEVER ALUMINIUM RH
28	5047289	STAINL. STEEL GRINDER-DISPENSER RATCHET
29	1250098	PIN THRUST SPRING
30	1252158	ADJUSTMENT KNOB
31	1252156	PAWL PIN
34	1080034	COFFEE HOPPER COMPLETE
35	1252112	COFFEE HOPPER LID
36	1080034	COFFEE HOPPER COMPLETE
37	1252114	COFFEE HOPPER CLOSING SHEET
43	5032145	ADJUSTMENT PIN
46	5057911	UPPER BURR HOLDER
47	1251033	GRINDING BURRS PAIR FIorenzato MC RH
49	1250094	DOSER LEVER RETURN SPRING
55	1250209	GRIND.BURR HOLDER LOCKING SPRING
59	1454006	CONTACTOR SIEMENS 3TG1010-1AL2
60	1057006	SELECTOR SWITCH 0-1 POSITIONS 12A 400V
75	1252115	FILTER HOLDER FORK
78	5047384	COFFEE COLLECTION TRAY
79	5031434	MICROSWITCH COMPLETE



COFFEE GRINDER ELECTRONIC F4E

F4E



Positions without LF code no.: upon request



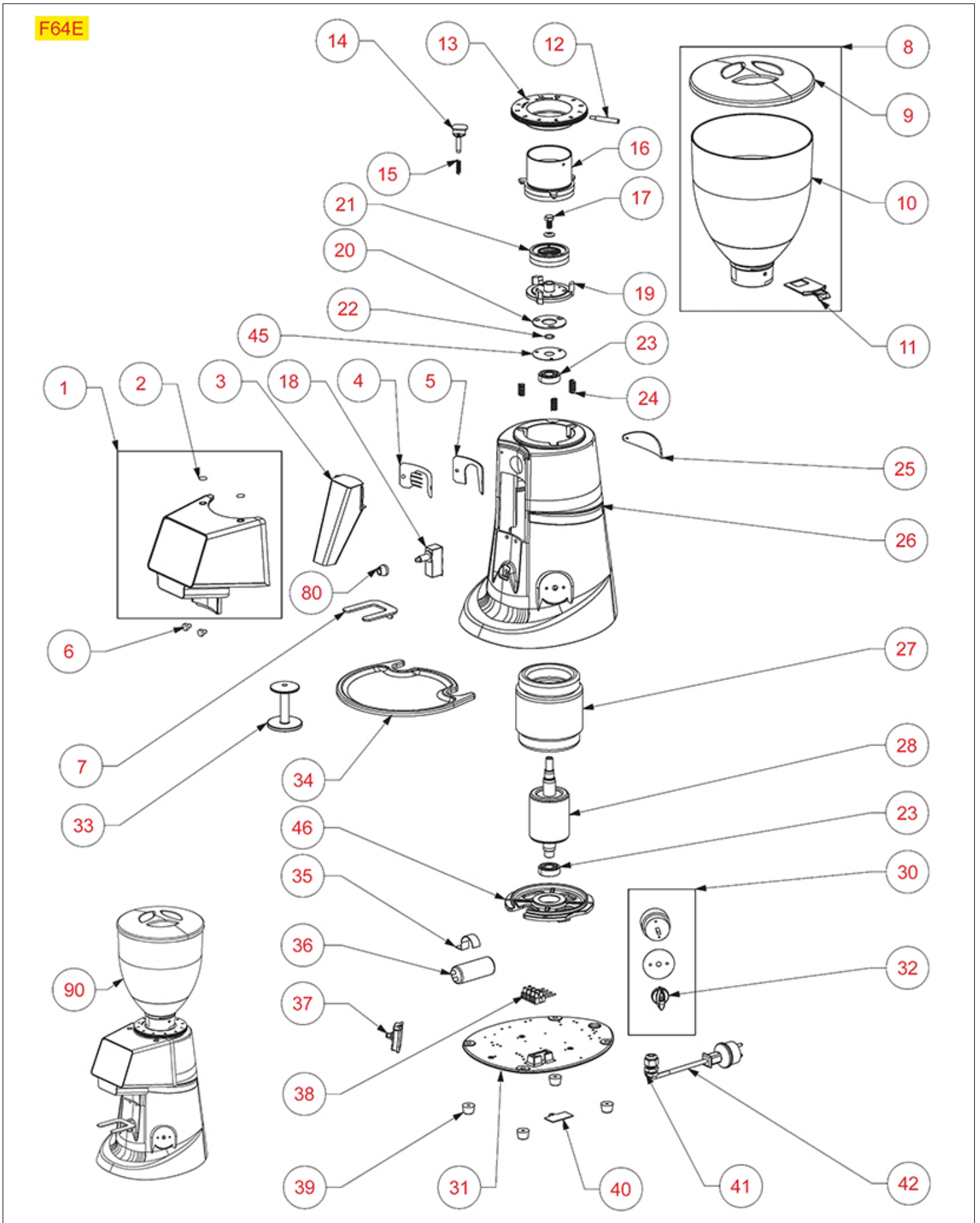
FIORENZATO M.C.



Position	LF code no.	Description
8	5068266	COFFEE HOPPER
12	5032145	ADJUSTMENT PIN
14	5081426	GRINDING BURRS PAIR FIORENZATO MC RH
23	1250209	GRIND.BURR HOLDER LOCKING SPRING
41	1385002	NYLON COFFEE TAMPER ø 50/57 mm



COFFEE GRINDER ELECTRONIC F64E



Positions without LF code no.: upon request



FIORENZATO M.C.

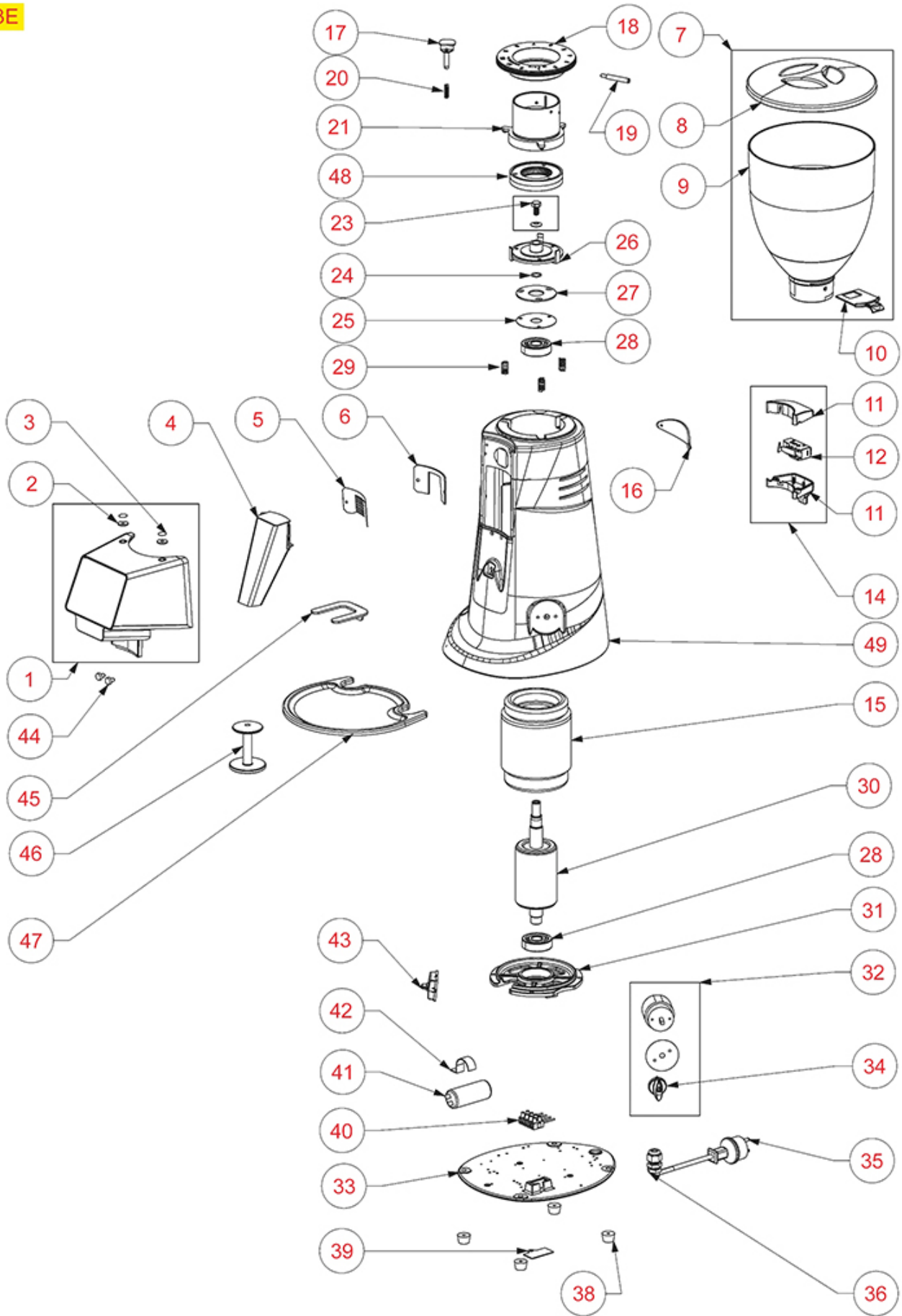


Position	LF code no.	Description
8	1080034	COFFEE HOPPER COMPLETE
9	1252112	COFFEE HOPPER LID
10	1080034	COFFEE HOPPER COMPLETE
11	1252114	COFFEE HOPPER CLOSING SHEET
12	5032145	ADJUSTMENT PIN
16	5049389	GRINDER HOLDER UPPER GRINDER \varnothing 64 mm
18	5062186	MICROSWITCH PIZZATO MF08-S1 250V
21	5064594	GRINDING BURRS PAIR FIORENZATO MC RH
24	1250209	GRIND.BURR HOLDER LOCKING SPRING
33	1385002	NYLON COFFEE TAMPER \varnothing 50/57 mm
34	5047384	COFFEE COLLECTION TRAY
90	1252660	COFFEE GRINDER ELECTRONIC F64E 220V



COFFEE GRINDER ELECTRONIC F83E

F83E



Positions without LF code no.: upon request



FIORENZATO M.C.



Position	LF code no.	Description
7	1080034	COFFEE HOPPER COMPLETE
8	1252112	COFFEE HOPPER LID
9	1080034	COFFEE HOPPER COMPLETE
10	1252114	COFFEE HOPPER CLOSING SHEET
19	5032145	ADJUSTMENT PIN
21	5057911	UPPER BURR HOLDER
29	1250209	GRIND.BURR HOLDER LOCKING SPRING
46	1385002	NYLON COFFEE TAMPER ø 50/57 mm
47	5047384	COFFEE COLLECTION TRAY



Suitable for:

FIorenzato M.C.



Suitable for:

Bearings

1063911 BEARING 6202 ZZ NSK
external \varnothing 35 mm - internal \varnothing 15 mm - thickness 11 mm



FIorenzato M.C. 001.004.011

FIorenzato M.C. 700000007

9063003 BEARING 6303 DDU NSK
external \varnothing 47mm - internal \varnothing 17mm - thickness 14mm
for Grinder-dispenser (FIorenzato M.C.) F6GA
F6GM - F63GK - F63KA



FIorenzato M.C. 700000011

Brushes

1384023 BRUSH FOR CLEANING 50 mm



FIorenzato M.C.

1384005 CLEANING BRUSH F/GRINDING BURRS



FIorenzato M.C.

Burrs

1251237 COPPIA MACINE RED FIorenzato MC DX
MACINE "RED SPEED" - acciaio speciale alta durata
20% di vita in più rispetto alle macina in TITANIO
 \varnothing esterno 64 mm - \varnothing interno 37 mm
spessore 8,5 mm - 3 fori di fissaggio



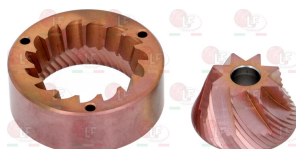
FIorenzato M.C.

1251223 GRIND.BURRS PAIR FIorenzato MC CONIC RH
external \varnothing 63/40 mm - internal \varnothing 34/13 mm
thickness 23 mm - 3 fixing holes



FIorenzato M.C. 001.002.021

5125018 GRINDERS PAIR RED FIorenzato MC CONIC RH
external \varnothing 71/49 mm - internal \varnothing 41/13 mm
thickness 25 mm - 3 fastening holes



FIorenzato M.C. 400000037

5069945 GRINDING BURR PAIR RED FIorenzato MC RH
GRINDERS "RED SPEED" - special high durab. steel
20% longer life compared to TITANIUM grinders
external \varnothing 64 mm - internal \varnothing 37 mm
thickness 8.5 mm - 3 fixing holes



FIorenzato M.C. 400000030



Suitable for:

5122976 GRINDING BURR PAIR RED FIORENZATO MC RH

ø external 64 mm - ø internal 37 mm
thickness 8.5 mm - 3 fixing holes
for FIORENZATO F64E



FIORENZATO M.C. 400000028

Suitable for:

5062679 GRINDING BURRS P. FIORENZATO MC CONIC RH

external ø 63/40 mm - internal ø 34/13 mm
thickness 23 mm - 3 fixing holes
ORIGINAL
for Coffee grinder (FIORENZATO M.C.) F63KE
for Grinder-dispenser (FIORENZATO M.C.) F63GK
F63KA



FIORENZATO M.C. 400000002

5064260 GRINDING BURRS P. FIORENZATO MC CONIC RH

external ø 71/49 mm - internal ø 42/13 mm
thickness 25 mm - 3 fixing holes
ORIGINAL
for Coffee grinder (FIORENZATO M.C.) F71KD - F71KE
for Grinder-dispenser (FIORENZATO M.C.) F71KA



FIORENZATO M.C. 400000015

1251030 GRINDING BURRS PAIR FIORENZATO MC RH

external ø 64 mm - internal ø 37 mm
thickness 8.5 mm - 3 fixing holes
for Grinder-dispenser (FIORENZATO M.C.) F5



FIORENZATO M.C. 001.002.034

1251033 GRINDING BURRS PAIR FIORENZATO MC RH

external ø 82.5 mm - internal ø 49 mm
thickness 9.5 mm - 3 fixing holes
for Grinder-dispenser (FIORENZATO M.C.) F6



FIORENZATO M.C. 001.002.030

1251212 GRINDING BURRS PAIR FIORENZATO MC RH

ext. ø 82.5 mm - int. ø 49 mm
thickness 9.5 mm - 3 fixing holes
ORIGINAL
for Coffee grinder (FIORENZATO M.C.) F83E



FIORENZATO M.C. 400000048

5054254 GRINDING BURRS PAIR FIORENZATO MC RH

ø external 83 mm - ø internal 49 mm
thickness 9.5 mm - 3 fixing holes
ORIGINAL



FIORENZATO M.C. 400000004

5056828 GRINDING BURRS PAIR FIORENZATO MC RH

ø external 64 mm - ø internal 37 mm
thickness 8.5 mm - 3 fixing holes
ORIGINAL
for Grinder-dispenser (FIORENZATO M.C.) F5



FIORENZATO M.C. 400000005



Suitable for:

5064594 GRINDING BURRS PAIR FIorenzato M.C. RH
external \varnothing 64 mm - internal \varnothing 37 mm
thickness 8.5 mm - 3 fixing holes
ORIGINAL
for Coffee grinder (FIorenzato M.C.) F64E



FIorenzato M.C. 40000013

Suitable for:

5069944 GRINDING BURRS PAIR FIorenzato M.C. RH
external \varnothing 64 mm - internal \varnothing 37 mm
thickness 8.5 mm - 3 fastening holes
ORIGINAL



FIorenzato M.C. 40000014

5081426 GRINDING BURRS PAIR FIorenzato M.C. RH
external \varnothing 58 mm - internal \varnothing 33.4 mm
thickness 8.6 mm - 3 fixing holes
ORIGINAL
for Coffee grinder (FIorenzato M.C.) F4E
for Grinder-dispenser (FIorenzato M.C.) F4A



FIorenzato M.C. 40000040

Coffee hoppers

5068266 COFFEE HOPPER
for Coffee grinder (FIorenzato M.C.) F4E
for Grinder-dispenser (FIorenzato M.C.) F4



FIorenzato M.C. 200000058

FIorenzato M.C. 200000058/R

1080259 COFFEE HOPPER CLOSING SHEET
for Grinder-dispenser (FIorenzato M.C.) F4A



FIorenzato M.C. 200000068

1252114 COFFEE HOPPER CLOSING SHEET
for Grinder-dispenser (FIorenzato M.C.) F5 - F6



FIorenzato M.C. 001.001.003

FIorenzato M.C. 200000003

1080034 COFFEE HOPPER COMPLETE
for Grinder-dispenser (FIorenzato M.C.) F5 - F6



FIorenzato M.C. 001.001.005

FIorenzato M.C. 200000004

FIorenzato M.C. 200000004/R

1252112 COFFEE HOPPER LID
for Grinder-dispenser (FIorenzato M.C.) F5 - F6



FIorenzato M.C. 001.001.002

FIorenzato M.C. 200000002

1080258 COFFEE HOPPER LID \varnothing 177 mm
for Coffee grinder (FIorenzato M.C.) F4E
for Grinder-dispenser (FIorenzato M.C.) F4



FIorenzato M.C. 200000066

Contactors

- 1454006 CONTACTOR SIEMENS 3TG1010-1AL2**
 8,4A 400V 4Kw - bobina 230V 50/60Hz
 4 NO contacts
 for Coffee grinder (FIorenzato M.C.) F5 - F6



FIorenzato M.C. 001.003.030

FIorenzato M.C. 600000018

Counters

- 5068221 GRINDER-DOSER COUNTER**
 for Grinder-dispenser (FIorenzato M.C.) F4A
 F5ECO - F5GA - F5GMGT - F6GA - F6GM - F63GK
 F63KA



FIorenzato M.C. 001.003.029

FIorenzato M.C. 200000039

Detergents

- 3092076 CRYSTAL CLEANER PULY GRIND**
 for COFFEE GRINDERS and for GRINDER-DOSERS
 suitable also for SUPERAUTOMATIC MACHINES
 regenerates burrs without disassembling them
 does not need to vary the grinding
 ingredients of natural origin
 gluten-free nor allergenic substances
 package 10 envelopes
 please see the attached documentation for use



FIorenzato M.C.

- 1092213 DETERGENT GRIND CLEANER 340 g**
 detergent for grinders cleaning
 natural grain-based ingredients
 100% biological
 please see the attached documentation for use



FIorenzato M.C.



Suitable for:

3092326 DETERGENT PULYBAR IGIENIC 1000 ml
 cleans and sanitizes:
 stainless steel-plastic-glass. varnished.
 painted surfaces -mirrors- frames
 ideal for the cleaning of:
 hoods-tables-knifeblocks-slicers-coffee machines
 coffee grinders - knives - working surfaces
 not foamy. it does not leave residues or odours
 it does not require rinsing
 ingredients of natural origin
 HACCP compliant
 please see the attached documentation for use



FIorenzato M.C.

Suitable for:

1092003 DETERGENT URNEX CAFE SPRAYZ 450 ml
 for coffee grinder hoppers and all coffee
 stained surfaces
 please see the attached documentation for use



FIorenzato M.C.

1092545 DETERGENT URNEX GRINDZ 430 g
 for grinding burrs
 please see the attached documentation for use



FIorenzato M.C.

Dosers for coffee

1252154 DOSER CYLINDER
 for Grinder-dispenser (FIorenzato M.C.) F5 - F6



FIorenzato M.C. 001.003.009

FIorenzato M.C. 200000036

1252153 DOSER LID
 for Grinder-dispenser (FIorenzato M.C.) F5 - F6



FIorenzato M.C. 001.003.010

FIorenzato M.C. 200000022

Electrical capacitors

3068019 CAPACITOR DUCATI ENERGIA 12,5µF
 450V 50/60Hz
 operating temperature -25 +85°C
 lead connection 6.35x0.8 mm
 ø 36xh70 mm



FIorenzato M.C. 001.004.020

FIorenzato M.C. 600000001

3068024 CAPACITOR DUCATI ENERGIA 16µF
 450V 50/60Hz
 operating temperature -25 +85°C
 lead connector 6.35x0.8 mm
 ø 36xh70 mm



FIorenzato M.C. 001.004.025

Equipment, complete

1252650 COFFEE GRINDER DOSER F5A 220V
 power supply 220/240V 350W 50Hz 1350g/min
 flat burrs ø 64 mm
 coffee hopper 1.5 kg
 automatic model with microswitch
 micrometric continuous grinding regulation
 dimensions 230x270x615 mm



FIorenzato M.C. F05GA2GRSCPFFF 0V0

FIorenzato M.C. F5A

1252660 COFFEE GRINDER ELECTRONIC F64E 220V
 power supply 220/240V 350W 50Hz 1350g/min
 flat burrs ø 64 mm
 coffee hopper 1.5 kg
 touchscreen display
 micrometric continuous grinding regulation
 dimensions 230x270x615 mm



FIorenzato M.C. F64E

FIorenzato M.C. F64EL2GRSCPFFF 0V2

FIorenzato M.C. F64EL2GRSCPFFF 6V2

5112711 COFFEE GRINDER ELECTRONIC F64EVO 220V
 power supply 220/240V 350W 50Hz 1350g/min
 flat grinding burrs ø 64 mm
 coffee hopper 1.5 kg
 touch-screen display
 continuous micrometric grinding adjustment
 dimensions 230x270x615 mm
 matt black



FIorenzato M.C. F64EV2NOSCPFFF 0V2

FIorenzato M.C. F64EV2NOSCPFFF6

1235189 COFFEE GRINDER F4ECO 220/240V 350W
 power supply 220/240V 350W 50Hz
 flat grinders ø 58 mm
 250 g coffee container
 continuous micrometric grinding adjustment
 height-adjustable fork
 dimensions 169x430x240 mm
 anthracite colour



FIorenzato M.C. F04GE2ANSCPFFF 17V

3235112 ELECTRONIC COFFEE GRINDER ALLGROUND 110V
 power supply 110/120V 250W 60Hz 1600g/min
 flat grinders red speed" ø 64 mm
 coffee container 250 g
 innovative grinding ring nut for:
 espresso, mocha and filter
 touchscreen display: automatically changes
 according to the position of the ring nut
 Fork with adjustable support
 easy to clean: ring nut, grinding chamber and
 removable tube
 special container for filter mode
 dimensions 169x473x240 mm
 colour: body chrome, dashboard vanta black matt
 finishes chrome/aluminium



FIorenzato M.C. E1CRVO1ULNPF0 M4

3235111 ELECTRONIC COFFEE GRINDER ALLGROUND 220V
 power supply 220/240V 250W 50Hz 1400g/min
 flat grinders red speed" ø 64 mm
 coffee container 250 g
 innovative grinding ring nut for:
 espresso, mocha and filter
 touchscreen display: automatically changes
 according to the position of the ring nut
 Fork with adjustable support
 easy to clean: ring nut, grinding chamber and
 removable tube
 special container for filter mode
 dimensions 169x473x240 mm
 colour: body chrome, dashboard vanta black matt
 finishes chrome/aluminium



FIorenzato M.C. H2VOVO1SCNPF0 M1



Suitable for:

1235132 ELECTRONIC COFFEE GRINDER F4E NANO 220V

power supply 220/240V 250W 50Hz 1400g/min
flat burrs ø 58 mm
coffee hopper 500 g
touchscreen display
micrometric continuous grinding regulation
dimensions 169x240x473 mm



FIorenzato M.C. F04EL2GRSCPFFF 0V2

Suitable for:

1235133 ELECTRONIC COFFEE GRINDER F83E 220V

power supply 220/240V 650W 50Hz 1350g/min
flat burrs ø 83 mm
coffee hopper 1.5 kg
touchscreen display
micrometric continuous grinding regulation
dimensions 230x270x670 mm



FIorenzato M.C. F83EL2GRSCPFFF 0V2

FIorenzato M.C. F83EL2GRSCPFFF

5088894 GRINDER/DOSER F6A 220V

power supply 220/240V 650W 50Hz 1350g/min
flat burrs ø 83 mm
coffee hopper 1.5 kg
automatic model with microswitch
micrometric continuous grinding regulation
dimensions 230x270x615 mm



FIorenzato M.C. F06GA2GRSCPFFF 0V0

FIorenzato M.C. F6AUTOMATICO

Feet

1313911 FOOT ø 19x13 mm MADE OF RUBBER

for Grinder-dispenser (FIorenzato M.C.) F4A
F5ECO - F5GA - F5GMGT - F6GA - F6GM - F63GK
F63KA



FIorenzato M.C. 001.004.008

FIorenzato M.C. 200000035

Forks for coffee grinder filter holder

1252115 FILTER HOLDER FORK

for Grinder-dispenser (FIorenzato M.C.) F5 - F6



FIorenzato M.C. 001.004.018

FIorenzato M.C. 900000025

Grinding burr holders

5049389 GRINDER HOLDER UPPER GRINDER \varnothing 64 mm



FIorenzato M.C. 001.002.016

FIorenzato M.C. 900000002

5057911 UPPER BURR HOLDER

for burrs \varnothing 83 mm
for Grinder-dispenser (FIorenzato M.C.) F6GA
F6GM



FIorenzato M.C. 001.002.031

FIorenzato M.C. 900000005

Ironmongery (screws, nuts, washers)

1252481 COMPENSATION RING

for Grinder-dispenser (FIorenzato M.C.) F4A
F5ECO - F5GA - F5GMGT - F6GA - F6GM - F63GK
F63KA



FIorenzato M.C. 700000012

Knobs

1252158 ADJUSTMENT KNOB



FIorenzato M.C. 001.003.012

FIorenzato M.C. 400000003

Levers

1252159 DOSER LEVER ALUMINIUM RH

for Grinder-dispenser (FIorenzato M.C.) F5 - F6



FIorenzato M.C. 001.003.047

FIorenzato M.C. 900.000.036

FIorenzato M.C. 900000036

FIorenzato M.C. 900000125

FIorenzato M.C. 900000622



Suitable for:

Suitable for:

Microswitches, mechanical

5072516 DOOR RING MICRO
 for Grinder-dispenser (FIorenzato M.C.) F4A
 F5ECO - F5GA - F5GMGT - F6GA - F6GM - F63GK
 F63KA



FIorenzato M.C. 001.003.011 FIorenzato M.C. 200000020

5031434 MICROSWITCH COMPLETE
 ring external \varnothing 126 mm - cables length 450 mm
 for Grinder-dispenser (FIorenzato M.C.) F4A - F5GA
 F6GA - F63GK - F63KA



FIorenzato M.C. 001.003.051 FIorenzato M.C. 001.009.001 FIorenzato M.C. 900000042
FIorenzato M.C. 900000042/R

1240033 MICROSWITCH CROUZET 0.1A 250V
 for Grinder-dispenser (FIorenzato M.C.) F5 - F6



FIorenzato M.C. 001.003.018 FIorenzato M.C. 600000008

1252155 MICROSWITCH FLAP



FIorenzato M.C. 001.003.017 FIorenzato M.C. 300000019

5062186 MICROSWITCH PIZZATO MF08-S1 250V
 for Coffee grinder (FIorenzato M.C.) F64E - F64EVO



FIorenzato M.C. 600000013

1240034 MICROSWITCH 3A 250V
 for Grinder-dispenser (FIorenzato M.C.) F5 - F6



FIorenzato M.C. 001.003.027 FIorenzato M.C. 001.003.108 FIorenzato M.C. 600000036

O-Ring and ORM gaskets

1186352 O-RING 02050 EPDM
 ring thickness 1.78 mm - internal \varnothing 12.42 mm



FIorenzato M.C. 200000015

Pawls for coffee grinder dosers

5047289 STAINL. STEEL GRINDER-DISPENSER RATCHET
 for Grinder-dispenser (FIorenzato M.C.) F5 - F6



FIorenzato M.C. 001.003.008 FIorenzato M.C. 001.003.081 FIorenzato M.C. 001.003.112
FIorenzato M.C. 001.003.117 FIorenzato M.C. 400.000.008 FIorenzato M.C. 400000008
FIorenzato M.C. 501.001.007 FIorenzato M.C. 900000035 FIorenzato M.C. 900000035_PLAST

Pins

5032145 ADJUSTMENT PIN
for Grinder-dispenser (FIorenzato M.C.) F4A
F5ECO - F5GA - F5GMGT - F6GA - F6GM - F63GK
F63KA



FIorenzato M.C. 001.003.052

FIorenzato M.C. 400000011

1252156 PAWL PIN

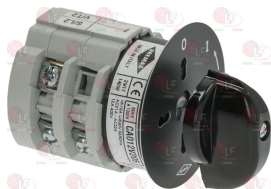


FIorenzato M.C. 001.003.023

FIorenzato M.C. 400000010

Selector switches

1057006 SELECTOR SWITCH 0-1 POSITIONS 12A 400V
for Grinder-dispenser (FIorenzato M.C.) F5 - F6



FIorenzato M.C. 001.004.013

FIorenzato M.C. 600000003

1057043 SELECTOR SWITCH 0-1 POSITIONS 12A 400V
square pin 5x5 mm
for Coffee grinder (FIorenzato M.C.) F4E - F5GD
F6GD - F63KE - F64E - F64EVO - F71KD - F71KE
F83E
for Grinder-dispenser (FIorenzato M.C.) F5GMGT
F6GM



FIorenzato M.C. 001.004.016

FIorenzato M.C. 600000002

Springs

1250094 DOSER LEVER RETURN SPRING
for FIorenzato MC F5-F6



FIorenzato M.C. 001.003.048

FIorenzato M.C. 700000004

1250209 GRIND.BURR HOLDER LOCKING SPRING



FIorenzato M.C. 001.002.011

FIorenzato M.C. 700000001

1250098 PIN THRUST SPRING



FIorenzato M.C. 001.003.024

FIorenzato M.C. 700000002

1250097 STAR LOCKING SPRING



FIorenzato M.C. 001.003.032

FIorenzato M.C. 700000003

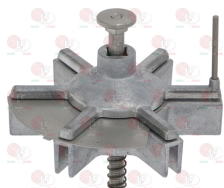


Suitable for:

Suitable for:

Stars and spare parts

1343087 ALUMINIUM STAR ASSEMBLY
for Grinder-dispenser (FIorenzato M.C.) F4A



FIorenzato M.C. 900000435

FIorenzato M.C. 900000435/R

1343088 ALUMINIUM STAR ASSEMBLY
for Grinder-dispenser (FIorenzato M.C.) F5ECO
F5GA - F5GMGT - F6GA - F6GM - F63GK - F63KA



FIorenzato M.C. 001.003.050

FIorenzato M.C. 300000070

FIorenzato M.C. 800000027

FIorenzato M.C. 800000028

FIorenzato M.C. 900000039

FIorenzato M.C. 900000124

FIorenzato M.C. 900000126

FIorenzato M.C. 900000128/R

Tampers for coffee

1385020 COFFEE TAMPER ø 55 mm



FIorenzato M.C. 001.003.013

FIorenzato M.C. 200000023

1385009 COFFEE TAMPER ø 57 mm



FIorenzato M.C. 001.003.039

FIorenzato M.C. 200000017

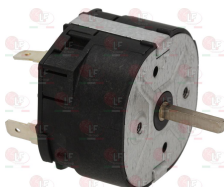
1385002 NYLON COFFEE TAMPER ø 50/57 mm



FIorenzato M.C. 200000029

Timers

1446900 TIMER 50 SECONDS 16A 250V
mechanical movement with balance wheel
1-minute manually set cycle
bipolar timer with contact capacity 16A 250V
environment temperature max 125°C
square pin 3.5x3.5 mm
for Grinder-dispenser (FIorenzato M.C.) F5 - F6



FIorenzato M.C. 001.004.028

FIorenzato M.C. 600000029



Suitable for:

Suitable for:

Trays

1260015 COFFEE COLLECTION TRAY
for Grinder-dispenser (FIorenzato M.C.) MF4



FIorenzato M.C. 30000046

5047384 COFFEE COLLECTION TRAY
for Grinder-dispenser (FIorenzato M.C.) F5GA
F5GMGT - F6GA - F6GM - F63GK - F63KA



FIorenzato M.C. 30000021

The data herewith contained may change without notice and LF SpA cannot be held responsible for possible errors stated or resulting by the use of this document. All rights reserved. No part of this publication may be reproduced without written permission by LF SpA.



Distributing Components, Spare Parts & Accessories in original quality worldwide

-
- LF SpA HEADQUARTERS**
via Voltri, 80 - 47522 Cesena (FC) ITALY
Tel. +39 0547 34 11 11 - Fax +39 0547 34 11 10
www.lfircambi724.it - info@lfircambi.it
Export Dept. Tel. +39 0547 34 11 50 - Fax +39 0547 34 11 55
www.lfspareparts724.com - export@lfspareparts.com
- LF SpA HOUSEHOLD COMPONENTS DIVISION**
Via Padriciano, 99 - AREA Science Park - 34149 Trieste (TS) ITALY
Tel. +39 0547 34 12 42 - Fax +39 0547 34 12 48
www.lfspareparts724.com - info@lfspareparts.com
- EPGC Sas FRANCE**
13, Rue des Forts - 59960 Neuville en Ferrain
Tel. +33 (0)3 20 25 06 21 - Fax +33 (0)3 20 25 34 12
www.epgc.com - epgc@epgc.com
- LF GmbH GERMANY**
Junkersstrasse, 3 - D-82178 Puchheim - München
Tel. +49 89 89 45 78 66 - Fax +49 89 89 45 78 88
www.lfersatzteile724.de - info@lfersatzteile.de
- LF China REPUBLIC OF CHINA**
Room 403, No.2, Huadu Mansion, Lane 422, Huanghua Rd.
Minhang Dist. - 201103 Shanghai
Tel. +86 (0)21 33 53 66 31 - Fax +86 (0)21 33 53 66 32
www.lfspareparts724.com - china@lfspareparts.com
- OOO LF RUSSIAN FEDERATION**
Ul. Anatoliya Zhivova, 8 - office 1 - 123100 Moscow
Tel./Fax +7 495 725 26 53
www.lfspareparts724.ru - info@lfspareparts.ru
- LF Repuestos Horeca S.L.U. SPAIN**
Poligono Industrial Carpetania - C/Miguel Faraday, 8 - 28906 Getafe
Tel. +34 91 477 91 00 - Fax +34 91 477 90 81
www.lfrepuestos-horeca724.es - info@lfrepuestos.es
- LF Scandinavia Aps - LF Spareparts S.p.A. DENMARK**
Nupark, 51 - 7500 Holstebro
Tel. +45 70 70 77 33
www.lfspareparts724.dk - denmark@lfspareparts.dk
- LF SpA Cesena (IT) Swiss Branch Steinhausen SWITZERLAND**
Sennweidstrasse, 45 - CH-6312 Steinhausen
Tel. +41 (0)41 760 15 80/1 - Fax +41 (0)41 760 15 85
www.lfersatzteile724.ch - info@lfersatzteile.ch
- LF Spare Parts Ltd. UNITED KINGDOM**
A10a Lakeside Business Park, Broadway Lane
South Cerney, Gloucestershire GL7 5XL
Tel. +44 (0)1285 86 16 25 - Fax +44 (0)1285 86 39 49
www.lfspareparts724.co.uk - info@lfspareparts.co.uk
- LF Central Est Europe S.r.o. CZECH REPUBLIC**
Antala Staska 1859/34
14000 Praha 4 - KRC
Tel. +420 730 156 910
www.lfspareparts724.cz - info@lfspareparts.cz
- LF SPARE PARTS INC. USA**
Legal address:
155 Office Plaza Dr - Suite A - Tallahassee, FL 32301
Business/Mailing address:
1100 South Tower, 225 Peachtree St., N.E. - Atlanta, GA 30303, USA
Tel. +1-404-525-2600 - Fax +1-404-586-3528
www.lfspareparts724.us - info@lfspareparts.us
Tel. West Coast and Midwest: 206-349-1525 Sauro
Tel. East Coast and the Caribbean: 786-817-1764 Luis
-
- AUSTRALIA AND NEW ZEALAND**
www.lfspareparts724.com
andrea.calvio@lfspareparts.com
- AUSTRIA**
www.lfersatzteile724.at
info@lfersatzteile.at
- BALKAN COUNTRIES**
www.lfspareparts724.com
matija.ramov@lfspareparts.com
- BALTIC COUNTRIES**
www.lfspareparts724.com
inara.silina@lfspareparts.com
- LATIN AMERICA AND THE CARRIBEANS**
www.lfrepuestos-horeca724.es
export@lfrepuestos.es
- POLAND**
www.lfspareparts724.pl
info@lfspareparts.pl
- SOUTH KOREA**
www.lfspareparts724.com
fabio.doni@lfspareparts.com
- TURKEY**
www.lfyedekparca724.com
export@lfspareparts.com