



Spare parts for the professional sector: Coffee grinders



Suitable for:

EUREKA



This catalogue is automatically generated.
Therefore, the sequence of the items might
not be always shown at best.
Updates will be issued in case of additions
and/or amendments.

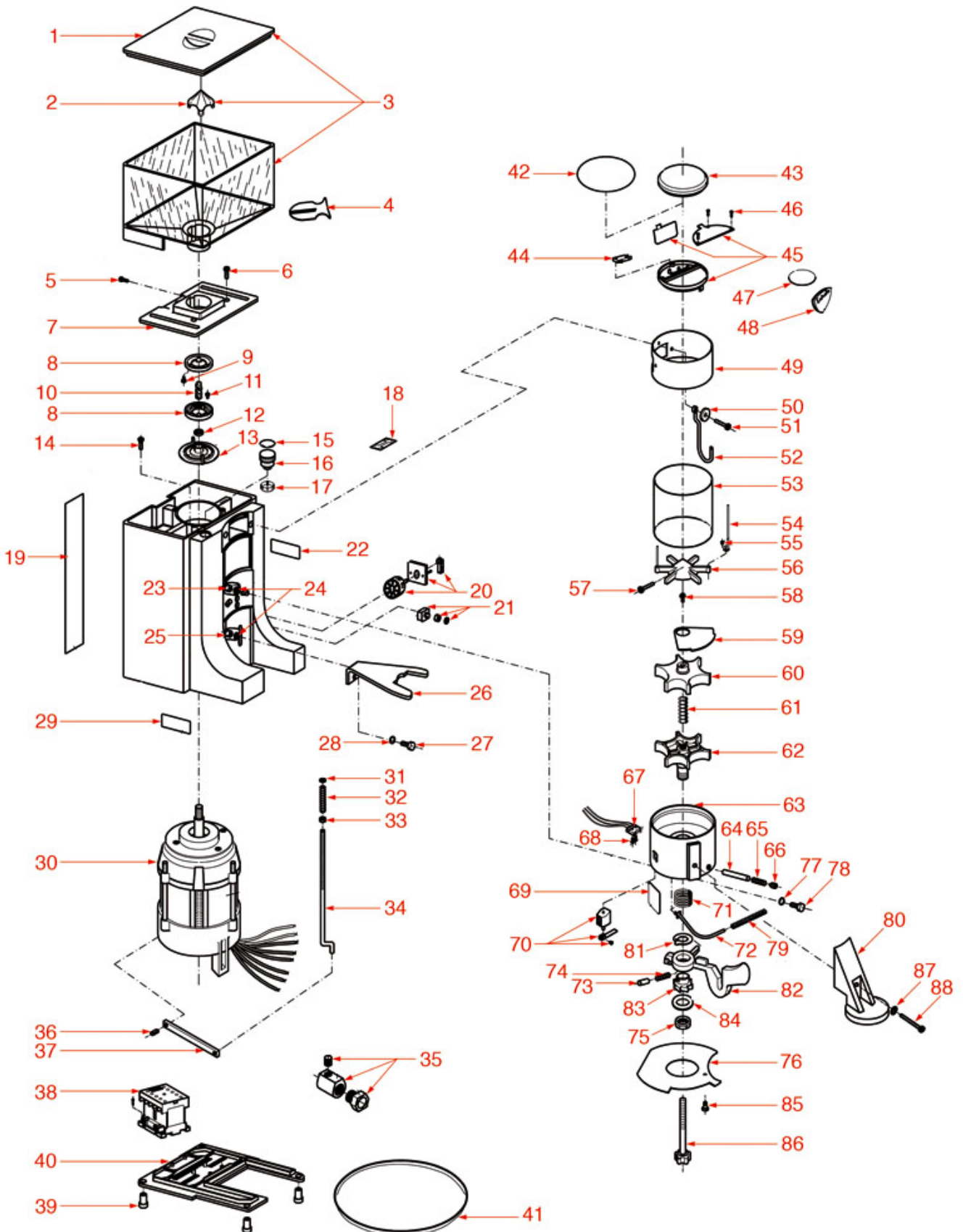
Suitable universal spare parts may not be included





GRINDER ASSEMBLY LUSO MDLCA65-MDLCA75

LUSO MDLCA65 - MDLCA75



EUMC01

Positions without LF code no.: upon request



EUREKA

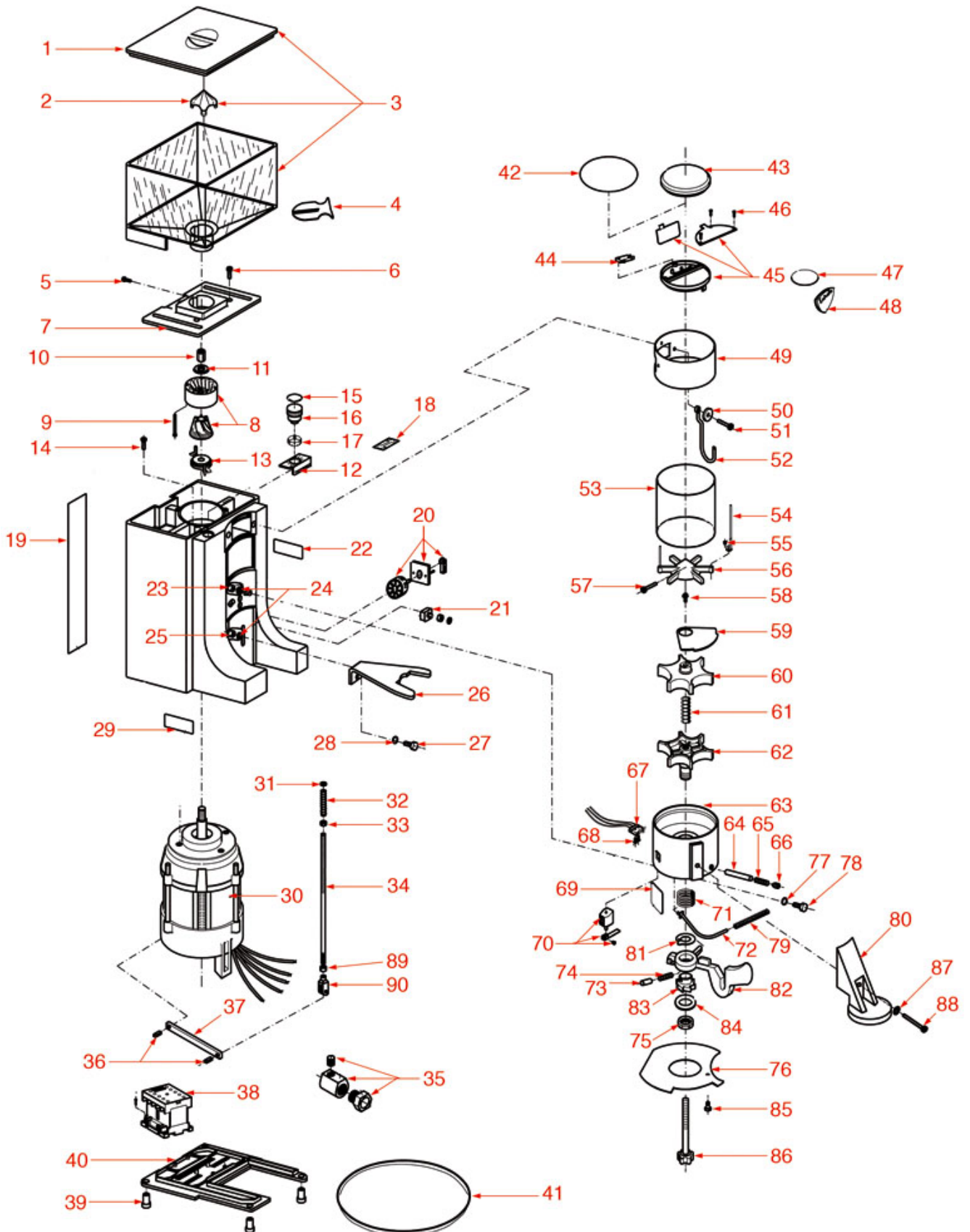


Position	LF code no.	Description
1	1080057	COFFEE HOPPER LID 168x168 mm
2	1080058	COFFEE HOPPER INNER PROTECTION
3	1080054	COMPLETE COFFEE HOPPER
4	1080059	COFFEE CONTAINER CLOSING SHEET
5	1528100	CYLINDER HEAD SCREW M4x12
8	1251060	GRINDING BURRS EUREKA (PAIR) RIGHT
8	1251074	GRINDING BURRS EUREKA (PAIR) RIGHT
9	1528001	COUNTERSUNK FLAT HEAD SCREWS M4x10
10	1528038	GRINDING BURRS HOLDER LOCKING NUT
11	1528001	COUNTERSUNK FLAT HEAD SCREWS M4x10
12	1186504	WASHER FLAT M10
13	1251058	GRINDING BURRS BOTTOM HOLDER
13	1251059	GRINDING BURRS BOTTOM HOLDER
16	1241113	ADJUSTMENT KNOB
20	1057008	SELECTOR SWITCH 0-1 POSITIONS
21	1240040	PUSH-BUTTON MICROSWITCH
25	1528030	MID HEXAGONAL NUT M6
26	1252389	FILTER HOLDER FORK
27	3528112	HEXAGONAL HEAD SCREW M6x16
32	1250131	TIE ROD ADJUSTMENT SPRING \varnothing 10x60 mm
33	1528030	MID HEXAGONAL NUT M6
41	1252385	COFFEE COLLECTING TRAY \varnothing 170 mm
43	1252386	DOSER LID \varnothing 125 mm
44	3240123	MICROSWITCH ROLD VRSRB1DA1
45	1252391	AUTOMATIC MICROSWITCH BOX
53	1252387	DOSER CYLINDER \varnothing 117x91 mm
54	1252393	DOSER SCRAPER
56	1343034	PLASTIC TOP STAR
58	1528631	CYLINDER HEAD SCREW M4x8
59	1343038	DIVIDING SHEET
60	1343035	MIDDLE STAR OF ALUMINIUM
61	1250132	STAR SPRING \varnothing 16x60 mm
62	1343040	BOTTOM STAR
64	1252397	DOSER GROUP PIN \varnothing 5x30 mm
65	1250087	SPRING \varnothing 4.5x12 mm
67	1240028	MICROSWITCH 6A 250V
70	1252390	COUNTER FOR COFFEE GRINDER
71	1250133	STAR SPRING \varnothing 36x23 mm
73	1252396	DOSER GROUP PIN \varnothing 5x18 mm
74	1250087	SPRING \varnothing 4.5x12 mm
75	1528039	NUT FOR DOSER GROUP
78	1528009	HEXAGON HEAD SCREW M6x12
79	1250134	DOSER LEVER RETURN SPRING 8x85 mm
80	1385012	COFFEE TAMPER \varnothing 56 mm
81	1252395	WASHER FOR DOSER LEVER
83	1252394	DOSER PAWL



GRINDER ASSEMBLY LUSO MDLCA/C

LUSO MDLCA/C



EUMC02

Positions without LF code no.: upon request



EUREKA

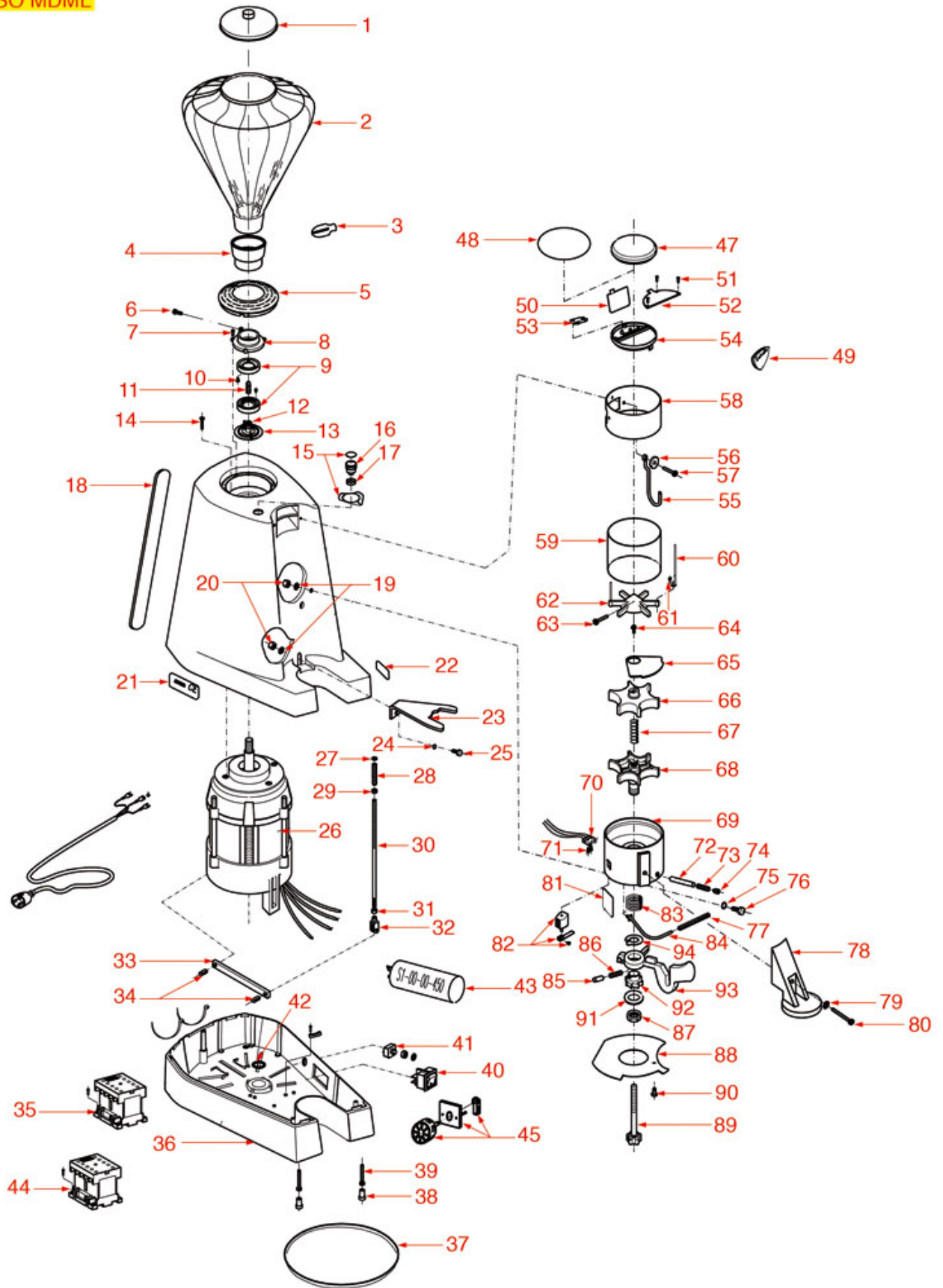


Position	LF code no.	Description
1	1080057	COFFEE HOPPER LID 168x168 mm
2	1080058	COFFEE HOPPER INNER PROTECTION
3	1080054	COMPLETE COFFEE HOPPER
4	1080059	COFFEE CONTAINER CLOSING SHEET
5	1528100	CYLINDER HEAD SCREW M4x12
8	1251038	CONICAL GRINDING BURRS EUREKA (PAIR) RH
16	1241113	ADJUSTMENT KNOB
20	1057008	SELECTOR SWITCH 0-1 POSITIONS
21	1240040	PUSH-BUTTON MICROSWITCH
25	1528030	MID HEXAGONAL NUT M6
26	1252389	FILTER HOLDER FORK
27	3528112	HEXAGONAL HEAD SCREW M6x16
32	1250131	TIE ROD ADJUSTMENT SPRING \varnothing 10x60 mm
33	1528030	MID HEXAGONAL NUT M6
41	1252385	COFFEE COLLECTING TRAY \varnothing 170 mm
43	1252386	DOSER LID \varnothing 125 mm
44	3240123	MICROSWITCH ROLD VRSRB1DA1
45	1252391	AUTOMATIC MICROSWITCH BOX
53	1252387	DOSER CYLINDER \varnothing 117x91 mm
54	1252393	DOSER SCRAPER
56	1343034	PLASTIC TOP STAR
58	1528631	CYLINDER HEAD SCREW M4x8
59	1343038	DIVIDING SHEET
60	1343035	MIDDLE STAR OF ALUMINIUM
61	1250132	STAR SPRING \varnothing 16x60 mm
62	1343040	BOTTOM STAR
64	1252397	DOSER GROUP PIN \varnothing 5x30 mm
65	1250087	SPRING \varnothing 4.5x12 mm
67	1240028	MICROSWITCH 6A 250V
70	1252390	COUNTER FOR COFFEE GRINDER
71	1250133	STAR SPRING \varnothing 36x23 mm
73	1252396	DOSER GROUP PIN \varnothing 5x18 mm
74	1250087	SPRING \varnothing 4.5x12 mm
75	1528039	NUT FOR DOSER GROUP
78	1528009	HEXAGON HEAD SCREW M6x12
79	1250134	DOSER LEVER RETURN SPRING 8x85 mm
80	1385012	COFFEE TAMPER \varnothing 56 mm
81	1252395	WASHER FOR DOSER LEVER
83	1252394	DOSER PAWL



GRINDER ASSEMBLY LUSO MDML

LUSO MDML



EUMC03

Positions without LF code no.: upon request



EUREKA

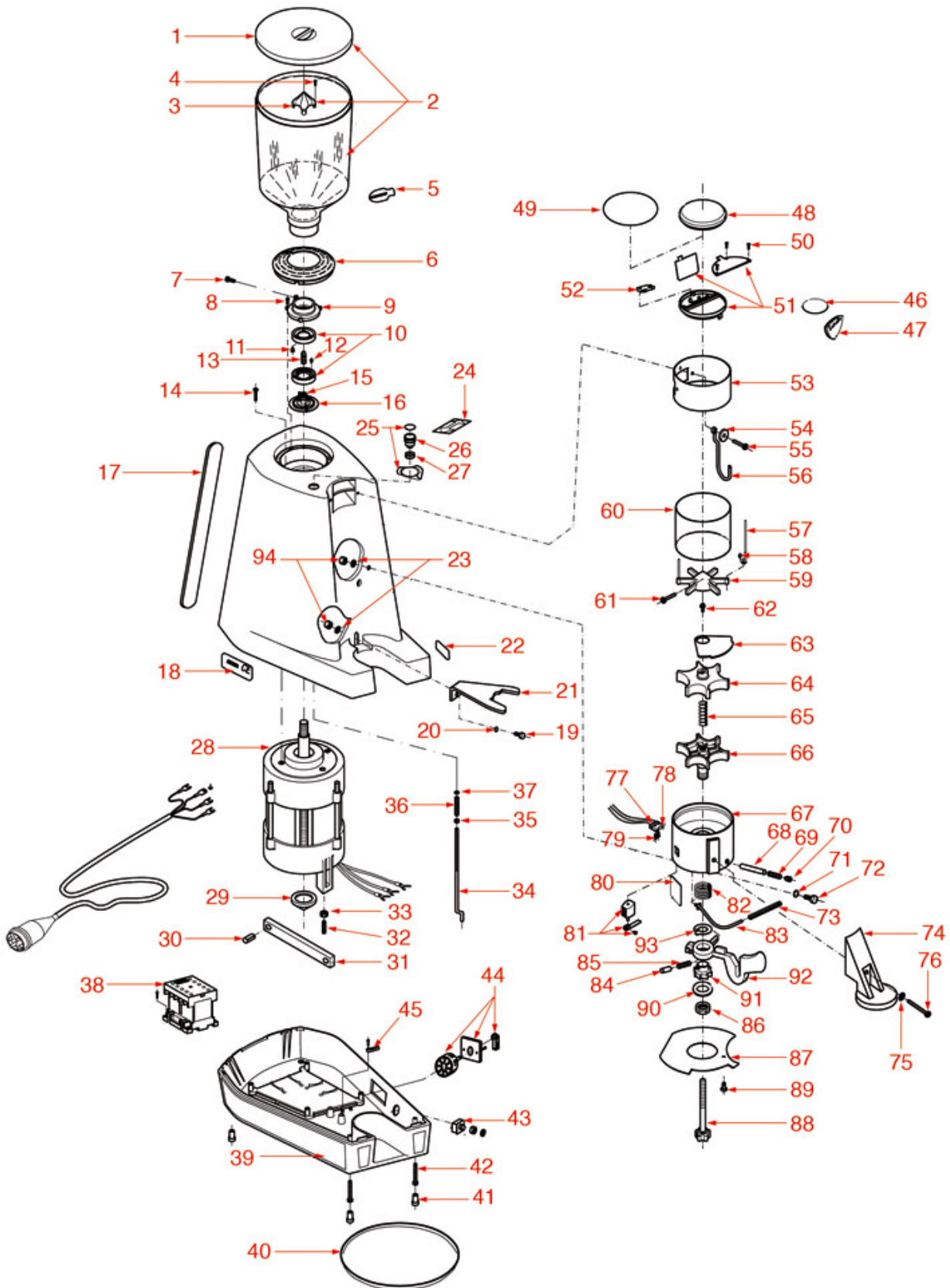


Position	LF code no.	Description
1	1080051	COFFEE HOPPER LID
2	1080052	GLASS COFFEE HOPPER
3	1080059	COFFEE CONTAINER CLOSING SHEET
5	1251064	TOP GRINDING BURRS COVER
6	1528100	CYLINDER HEAD SCREW M4x12
9	1251060	GRINDING BURRS EUREKA (PAIR) RIGHT
10	1528001	COUNTERSUNK FLAT HEAD SCREWS M4x10
11	1528038	GRINDING BURRS HOLDER LOCKING NUT
12	1186504	WASHER FLAT M10
13	1251058	GRINDING BURRS BOTTOM HOLDER
16	1241113	ADJUSTMENT KNOB
20	1528030	MID HEXAGONAL NUT M6
23	1252389	FILTER HOLDER FORK
25	3528112	HEXAGONAL HEAD SCREW M6x16
28	1250131	TIE ROD ADJUSTMENT SPRING \varnothing 10x60 mm
29	1528030	MID HEXAGONAL NUT M6
31	1528030	MID HEXAGONAL NUT M6
37	1252385	COFFEE COLLECTING TRAY \varnothing 170 mm
38	1313005	FOOT \varnothing 20 mm
40	3319294	BLACK BIPOLAR SWITCH 16A 250V
41	1240040	PUSH-BUTTON MICROSWITCH
45	1057008	SELECTOR SWITCH 0-1 POSITIONS
47	1252386	DOSER LID \varnothing 125 mm
53	3240123	MICROSWITCH ROLD VRSRB1DA1
59	1252388	DOSER CYLINDER \varnothing 114x67 mm
60	1252393	DOSER SCRAPER
62	1343034	PLASTIC TOP STAR
64	1528631	CYLINDER HEAD SCREW M4x8
65	1343038	DIVIDING SHEET
66	1343035	MIDDLE STAR OF ALUMINIUM
67	1250132	STAR SPRING \varnothing 16x60 mm
68	1343040	BOTTOM STAR
70	1240028	MICROSWITCH 6A 250V
72	1252397	DOSER GROUP PIN \varnothing 5x30 mm
73	1250087	SPRING \varnothing 4.5x12 mm
76	3528112	HEXAGONAL HEAD SCREW M6x16
77	1250134	DOSER LEVER RETURN SPRING 8x85 mm
78	1385012	COFFEE TAMPER \varnothing 56 mm
82	1252390	COUNTER FOR COFFEE GRINDER
83	1250133	STAR SPRING \varnothing 36x23 mm
85	1252396	DOSER GROUP PIN \varnothing 5x18 mm
86	1250087	SPRING \varnothing 4.5x12 mm
87	1528039	NUT FOR DOSER GROUP
92	1252394	DOSER PAWL
94	1252395	WASHER FOR DOSER LEVER



GRINDER ASSEMBLY MONDIAL MDMC

MONDIAL MDMC



EUMC04

Positions without LF code no.: upon request



EUREKA

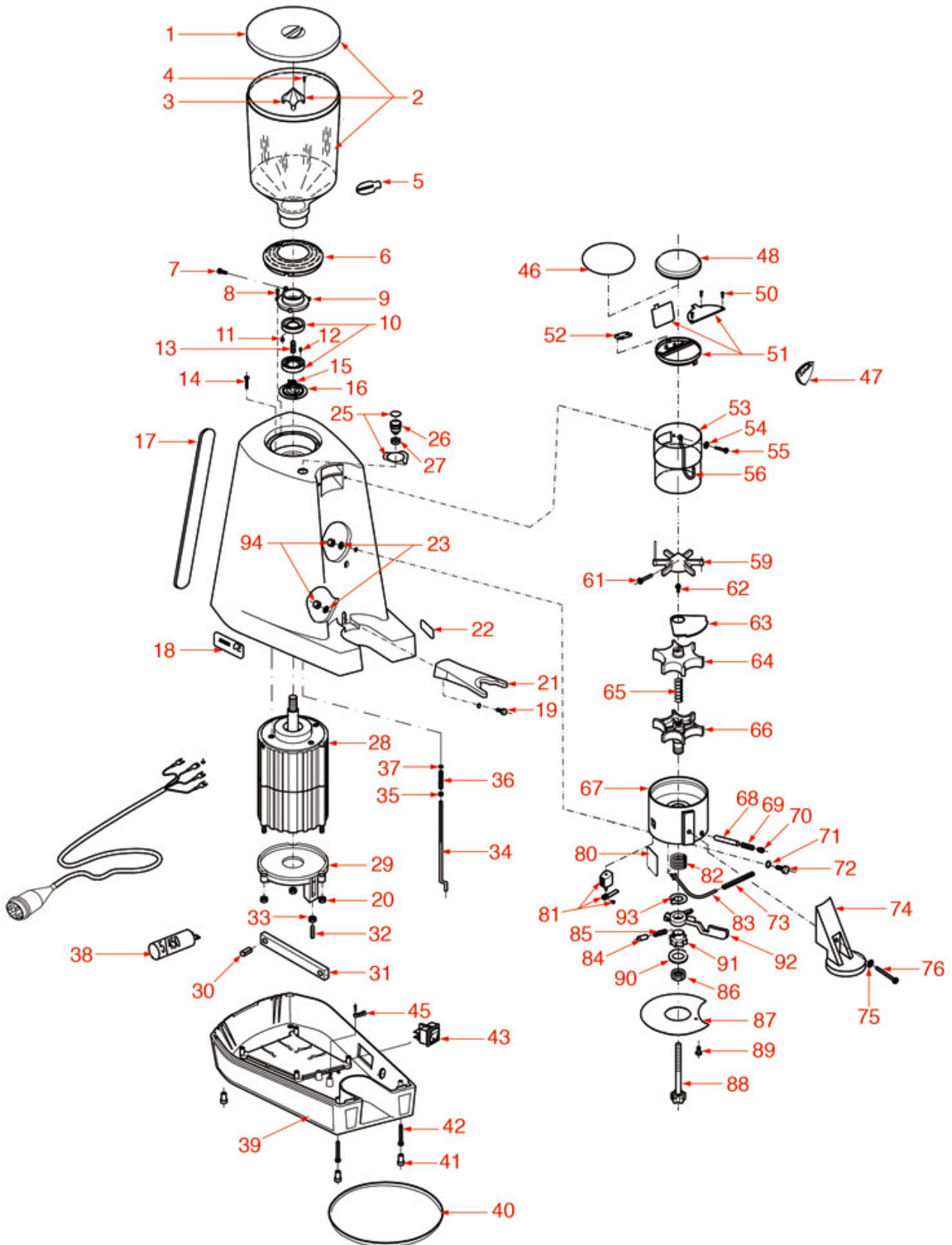


Position	LF code no.	Description
1	1080053	COFFEE HOPPER LID ø 180 mm
2	1080055	COMPLETE HOPPER
3	1080058	COFFEE HOPPER INNER PROTECTION
5	1080059	COFFEE CONTAINER CLOSING SHEET
6	1251064	TOP GRINDING BURRS COVER
7	1528100	CYLINDER HEAD SCREW M4x12
10	1251070	GRINDING BURRS EUREKA (PAIR) RH
10	1251074	GRINDING BURRS EUREKA (PAIR) RIGHT
11	1528001	COUNTERSUNK FLAT HEAD SCREWS M4x10
12	1528001	COUNTERSUNK FLAT HEAD SCREWS M4x10
13	1528038	GRINDING BURRS HOLDER LOCKING NUT
15	1186504	WASHER FLAT M10
16	1251059	GRINDING BURRS BOTTOM HOLDER
19	3528112	HEXAGONAL HEAD SCREW M6x16
21	1252389	FILTER HOLDER FORK
26	1241113	ADJUSTMENT KNOB
33	1348813	HEXAGONAL NUT M4 MEDIUM
35	1528030	MID HEXAGONAL NUT M6
36	1250131	TIE ROD ADJUSTMENT SPRING ø 10x60 mm
40	1252385	COFFEE COLLECTING TRAY ø 170 mm
41	1313005	FOOT ø 20 mm
43	1240040	PUSH-BUTTON MICROSWITCH
44	1057008	SELECTOR SWITCH 0-1 POSITIONS
48	1252386	DOSER LID ø 125 mm
51	1252391	AUTOMATIC MICROSWITCH BOX
52	3240123	MICROSWITCH ROLD VRSRB1DA1
57	1252393	DOSER SCRAPER
59	1343034	PLASTIC TOP STAR
60	1252388	DOSER CYLINDER ø 114x67 mm
62	1528631	CYLINDER HEAD SCREW M4x8
63	1343038	DIVIDING SHEET
64	1343035	MIDDLE STAR OF ALUMINIUM
65	1250132	STAR SPRING ø 16x60 mm
66	1343040	BOTTOM STAR
68	1252397	DOSER GROUP PIN ø 5x30 mm
69	1250087	SPRING ø 4.5x12 mm
72	3528112	HEXAGONAL HEAD SCREW M6x16
73	1250134	DOSER LEVER RETURN SPRING 8x85 mm
74	1385012	COFFEE TAMPER ø 56 mm
77	1240028	MICROSWITCH 6A 250V
81	1252390	COUNTER FOR COFFEE GRINDER
82	1250133	STAR SPRING ø 36x23 mm
84	1252396	DOSER GROUP PIN ø 5x18 mm
85	1250087	SPRING ø 4.5x12 mm
86	1528039	NUT FOR DOSER GROUP
91	1252394	DOSER PAWL
93	1252395	WASHER FOR DOSER LEVER
94	1528030	MID HEXAGONAL NUT M6



GRINDER ASSEMBLY MONDIAL MDME

MONDIAL MDME





EUREKA

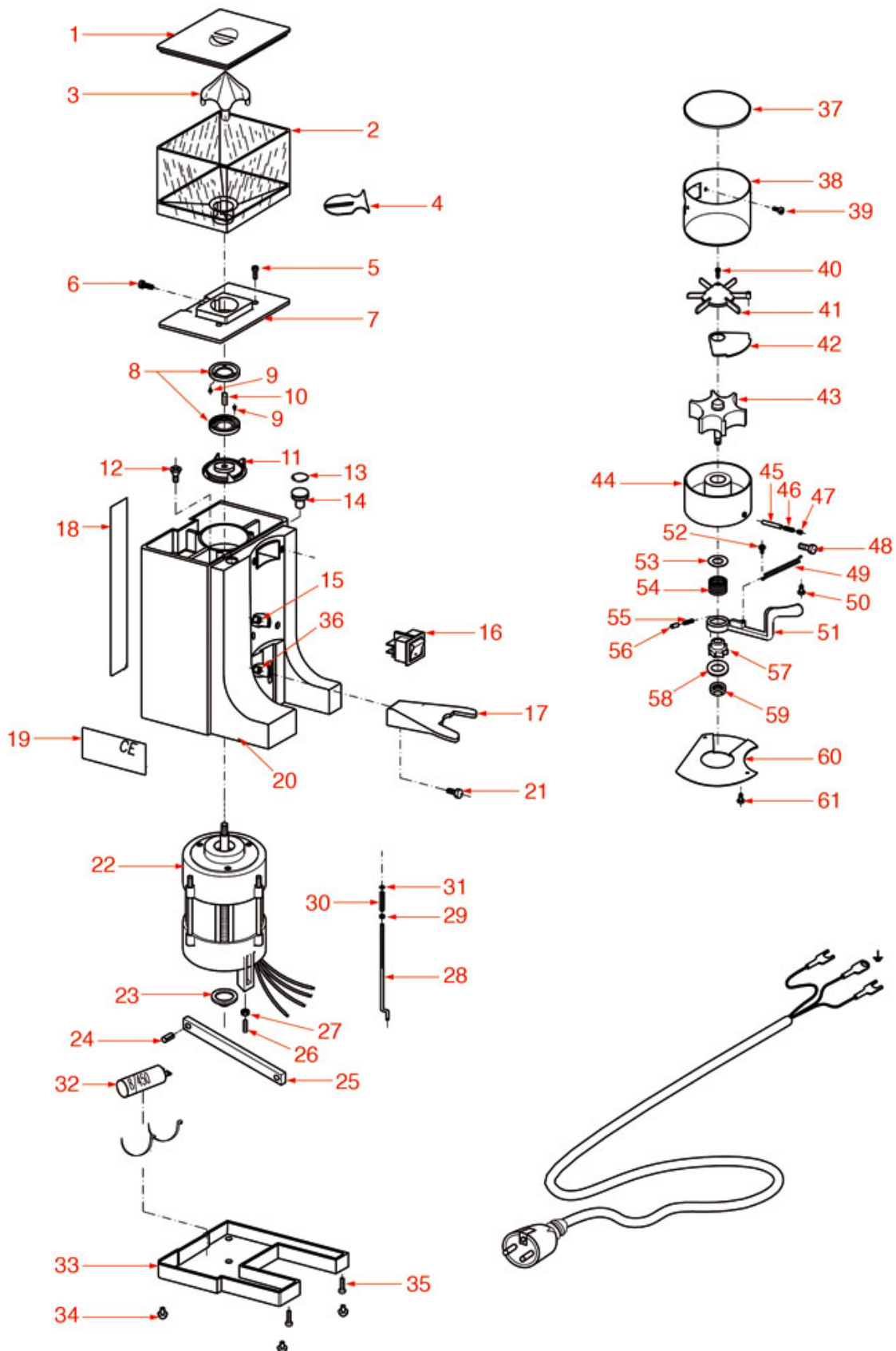


Position	LF code no.	Description
1	1080053	COFFEE HOPPER LID \varnothing 180 mm
2	1080055	COMPLETE HOPPER
3	1080058	COFFEE HOPPER INNER PROTECTION
5	1080059	COFFEE CONTAINER CLOSING SHEET
6	1251064	TOP GRINDING BURRS COVER
7	1528100	CYLINDER HEAD SCREW M4x12
10	1251068	GRINDING BURRS EUREKA (PAIR) RIGHT
11	3528291	CROSS HEAD FLUSH SCREW M4x8
12	1528001	COUNTERSUNK FLAT HEAD SCREWS M4x10
13	1528038	GRINDING BURRS HOLDER LOCKING NUT
15	1186504	WASHER FLAT M10
16	1251059	GRINDING BURRS BOTTOM HOLDER
19	3528112	HEXAGONAL HEAD SCREW M6x16
21	1162004	FILTER HOLDER PLASTIC FORK
26	1241113	ADJUSTMENT KNOB
33	1348813	HEXAGONAL NUT M4 MEDIUM
35	1528030	MID HEXAGONAL NUT M6
36	1250131	TIE ROD ADJUSTMENT SPRING \varnothing 10x60 mm
38	3068008	CAPACITOR DUCATI ENERGIA 5 μ F
40	1252385	COFFEE COLLECTING TRAY \varnothing 170 mm
41	1313005	FOOT \varnothing 20 mm
43	3319294	BLACK BIPOLAR SWITCH 16A 250V
48	1252386	DOSER LID \varnothing 125 mm
51	1252391	AUTOMATIC MICROSWITCH BOX
52	3240123	MICROSWITCH ROLD VRSRB1DA1
53	1090002	DOSER CYLINDER \varnothing 124/116x116 mm
59	1343034	PLASTIC TOP STAR
62	1528631	CYLINDER HEAD SCREW M4x8
63	1343038	DIVIDING SHEET
64	1343039	CENTRAL STAR
65	1250132	STAR SPRING \varnothing 16x60 mm
66	1343040	BOTTOM STAR
68	1252397	DOSER GROUP PIN \varnothing 5x30 mm
69	1250087	SPRING \varnothing 4.5x12 mm
72	3528112	HEXAGONAL HEAD SCREW M6x16
73	1250134	DOSER LEVER RETURN SPRING 8x85 mm
74	1385012	COFFEE TAMPER \varnothing 56 mm
82	1250133	STAR SPRING \varnothing 36x23 mm
84	1252396	DOSER GROUP PIN \varnothing 5x18 mm
85	1250087	SPRING \varnothing 4.5x12 mm
86	1528039	NUT FOR DOSER GROUP
91	1252394	DOSER PAWL
92	1225024	DOSER LEVER
93	1252395	WASHER FOR DOSER LEVER
94	1528030	MID HEXAGONAL NUT M6



GRINDER ASSEMBLY MIGNON MCF

MIGNON MCF



EUMC06

Positions without LF code no.: upon request



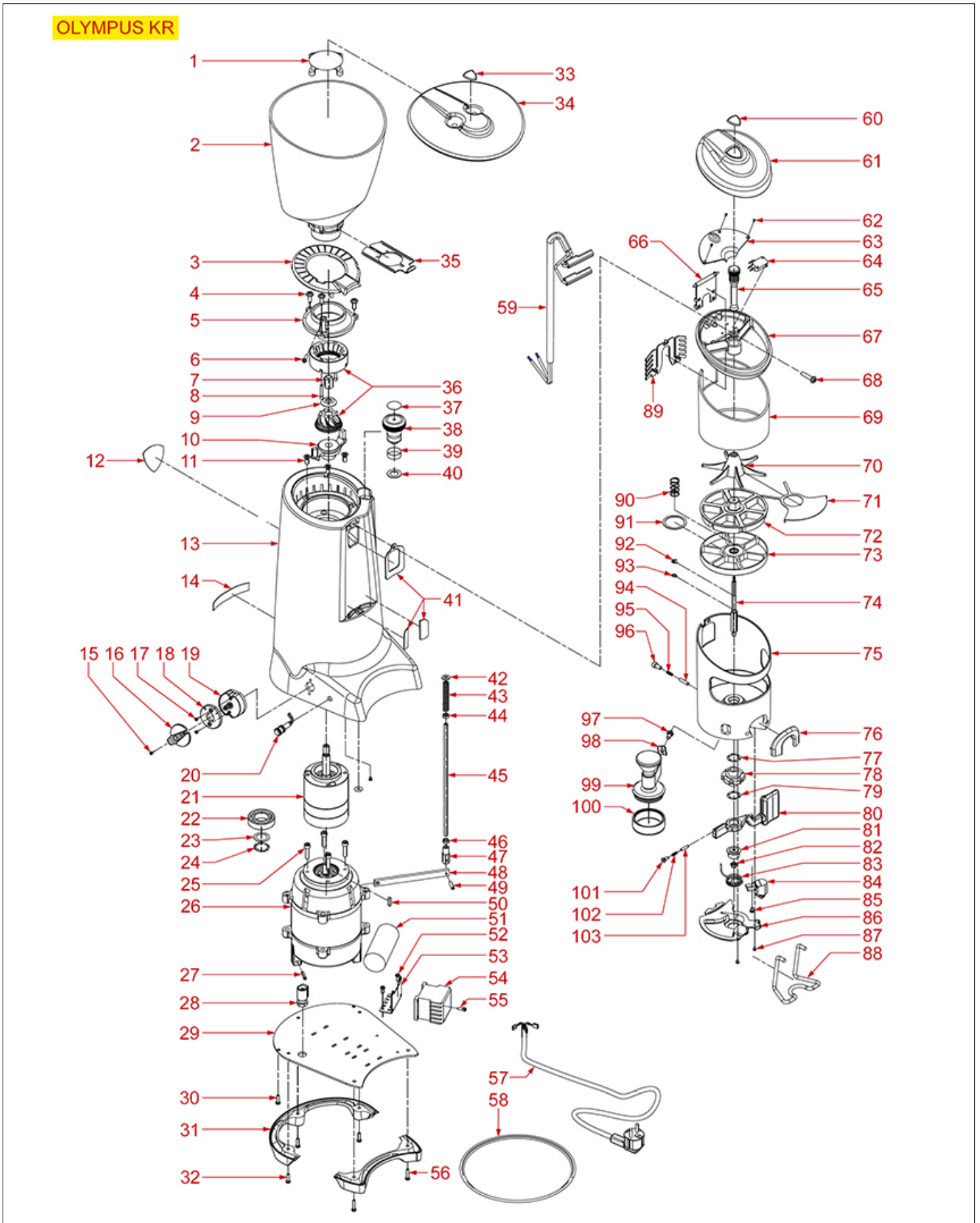
EUREKA



Position	LF code no.	Description
1	1080061	COFFEE HOPPER LID 107x107 mm
2	1080056	COFFEE HOPPER
3	1080058	COFFEE HOPPER INNER PROTECTION
4	1080060	STAINL.STEEL COFFEE CONT.CLOSING SHEET
5	1528100	CYLINDER HEAD SCREW M4x12
6	1528100	CYLINDER HEAD SCREW M4x12
8	1251069	GRINDING BURRS EUREKA PAIR RH
9	1528042	CYLINDER HEAD SCREW M3x6
16	3319294	BLACK BIPOLAR SWITCH 16A 250V
27	1528030	MID HEXAGONAL NUT M6
32	3068014	CAPACITOR DUCATI ENERGIA 8µF
36	1528030	MID HEXAGONAL NUT M6
37	1090005	HOPPER LID ø 95 mm
38	1090004	DOSER CYLINDER ø 95x60 mm
39	3528291	CROSS HEAD FLUSH SCREW M4x8
41	1343044	TOP STAR
42	1343045	S/STEEL DIVIDING SHEET
43	1343050	BOTTOM STAR
45	1252399	DOSE GROUP PIN ø 4x18 mm
46	1250135	DOSER CLASP SPRING ø 4x18 mm
49	1250136	DOSER LEVER RETURN SPRING 4x48 mm
51	1225025	DOSER LEVER
54	1250137	STAR SPRING ø 24x24 mm
55	1250138	PIN SPRING ø 4x12 mm
56	1252400	DOSE GROUP PIN ø 4x16 mm
57	1252402	PAWL 5 TEETH



GRINDER ASSEMBLY OLYMPUS KR



Positions without LF code no.: upon request



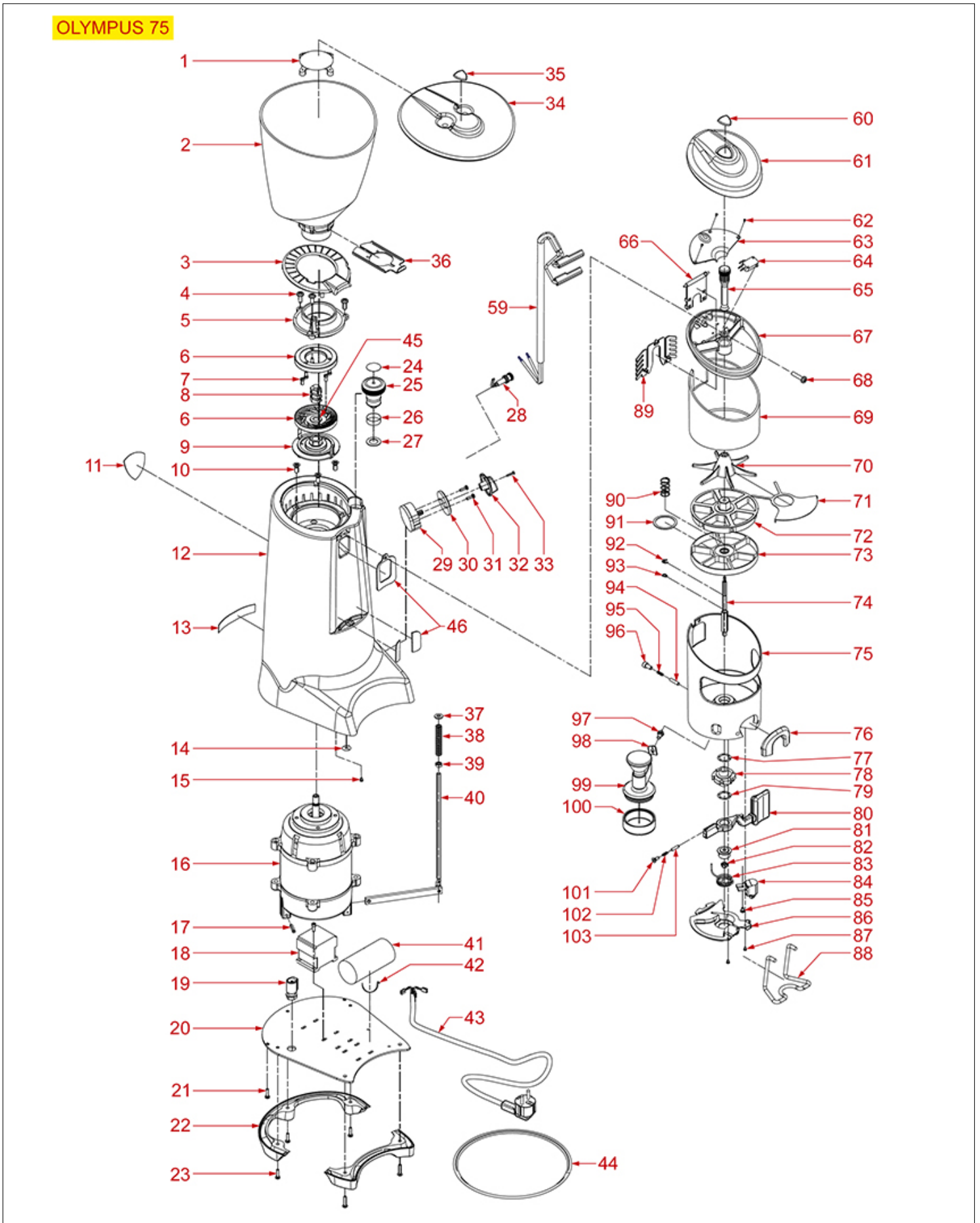
EUREKA



Position	LF code no.	Description
1	1080058	COFFEE HOPPER INNER PROTECTION
2	5082386	COFFEE HOPPER
6	1528100	CYLINDER HEAD SCREW M4x12
19	5052231	SELECTOR SWITCH 0-1 POSITION 16A 600V
20	1221007	INDICATOR LIGHT RED 230V
30	1528100	CYLINDER HEAD SCREW M4x12
34	1080251	COFFEE HOPPER COVER
43	1250131	TIE ROD ADJUSTMENT SPRING \varnothing 10x60 mm
44	1528030	MID HEXAGONAL NUT M6
46	1528030	MID HEXAGONAL NUT M6
56	5007788	CYLINDER HEAD SCREW M5x25
58	5080286	COFFEE COLLECTION TRAY
61	1290001	DOSER CAP
64	3240123	MICROSWITCH ROLD VRSRB1DA1
69	1290002	DOSER CYLINDER \varnothing 124 mm
70	1343082	UPPER STAR
72	1343083	MIDDLE STAR
77	1528153	COMPENSATION RING \varnothing 23,8 mm
78	5052230	6-TEETH PAWL
79	1528153	COMPENSATION RING \varnothing 23,8 mm
80	5048914	DISPENSER LEVER
81	1290003	BUSHING FOR DOSER
82	3053163	SELF-LOCKING HEXAGON NUT M6
83	5082433	
84	5062149	COUNTER FOR COFFEE GRINDER
90	1250373	STAR SPRING \varnothing 16x41 mm
91	1786323	FLAT GASKET PTFE \varnothing 41x36x1 mm
95	1250087	SPRING \varnothing 4.5x12 mm
97	1528009	HEXAGON HEAD SCREW M6x12
102	1250138	PIN SPRING \varnothing 4x12 mm
103	1252400	DOSE GROUP PIN \varnothing 4x16 mm



GRINDER ASSEMBLY OLYMPUS 75



Positions without LF code no.: upon request



EUREKA



Position	LF code no.	Description
1	1080058	COFFEE HOPPER INNER PROTECTION
2	5082386	COFFEE HOPPER
6	1251060	GRINDING BURRS EUREKA (PAIR) RIGHT
7	1528001	COUNTERSUNK FLAT HEAD SCREWS M4x10
8	1528038	GRINDING BURRS HOLDER LOCKING NUT
9	1251058	GRINDING BURRS BOTTOM HOLDER
21	1528100	CYLINDER HEAD SCREW M4x12
28	1221007	INDICATOR LIGHT RED 230V
29	5052231	SELECTOR SWITCH 0-1 POSITION 16A 600V
34	1080251	COFFEE HOPPER COVER
38	1250131	TIE ROD ADJUSTMENT SPRING \varnothing 10x60 mm
39	1528030	MID HEXAGONAL NUT M6
41	3068082	CAPACITOR ELECTRICAL 14 μ F
44	5080286	COFFEE COLLECTION TRAY
45	1186504	WASHER FLAT M10
61	1290001	DOSER CAP
64	3240123	MICROSWITCH ROLD VRSRB1DA1
69	1290002	DOSER CYLINDER \varnothing 124 mm
70	1343082	UPPER STAR
72	1343083	MIDDLE STAR
77	1528153	COMPENSATION RING \varnothing 23,8 mm
78	5052230	6-TEETH PAWL
79	1528153	COMPENSATION RING \varnothing 23,8 mm
80	5048914	DISPENSER LEVER
81	1290003	BUSHING FOR DOSER
82	3053163	SELF-LOCKING HEXAGON NUT M6
83	5082433	
84	5062149	COUNTER FOR COFFEE GRINDER
90	1250373	STAR SPRING \varnothing 16x41 mm
91	1786323	FLAT GASKET PTFE \varnothing 41x36x1 mm
95	1250087	SPRING \varnothing 4.5x12 mm
97	1528009	HEXAGON HEAD SCREW M6x12
102	1250138	PIN SPRING \varnothing 4x12 mm
103	1252400	DOSE GROUP PIN \varnothing 4x16 mm



Suitable for:

EUREKA

Suitable for:



Bearings

3063005 BEARING 6202 DDU NSK
external \varnothing 35mm - internal \varnothing 15mm - thickness 11mm



EUREKA 6030.6020

EUREKA 6030.6202

Bodies

5082641 CANALETTO USCITA CAFFÈ



EUREKA 4100.0024

1251064 TOP GRINDING BURRS COVER
for Grinder-dispenser (EUREKA) FASHION
LUSSO MDML - MONDIAL MDMC - MONDIAL MDME



EUREKA 2501.0006

Capacitors, electrical

3068008 CAPACITOR DUCATI ENERGIA 5 μ F
450V 50/60Hz
operating temperature -25 + 85°C
lead connection 6.35x0.8 mm
 \varnothing 28xh55 mm



EUREKA 1013.0005

3068014 CAPACITOR DUCATI ENERGIA 8 μ F
450V 50/60Hz
operating temperature -25 + 85°C
lead connection 6.35x0.8 mm
 \varnothing 32xh55 mm



EUREKA 1013.0008

3068096 CAPACITOR ELECTRICAL 5 μ F
450V 50/60Hz - \varnothing 30xh51 mm



EUREKA 1013.0005

3068079 CAPACITOR ELECTRICAL 8 μ F
450V 50/60Hz - \varnothing 30xh71 mm



EUREKA 1013.0008



Containers for coffee

5053345 COFFEE CONTAINER



EUREKA 4000.0000

1080059 COFFEE CONTAINER CLOSING SHEET
for Grinder-dispenser (EUREKA) LUSO MDLC
LUSO MDLCA/C - LUSO MDLCA65 - LUSO MDML
MDMEA



EUREKA 5101.0020

5085496 COFFEE CONTAINER LOW



EUREKA 4109.0000

1080056 COFFEE HOPPER
for Grinder-dispenser (EUREKA) MCF



EUREKA 5104.0000

EUREKA 5104.0010

EUREKA 5204.0000

5082386 COFFEE HOPPER
for Grinder-dispenser (EUREKA) OLYMPUS KR
OLYMPUS 75



EUREKA 5210.0000

EUREKA 5210.0001

1080251 COFFEE HOPPER COVER
for Grinder-dispenser (EUREKA) OLYMPUS KR
OLYMPUS 75



EUREKA 5210.0002

EUREKA 5214.0000

1080058 COFFEE HOPPER INNER PROTECTION
for Grinder-dispenser (EUREKA) OLYMPUS KR
OLYMPUS 75



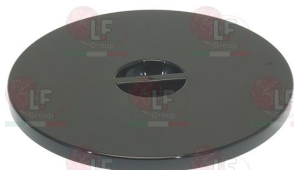
EUREKA 5101.0012

1080051 COFFEE HOPPER LID
for Grinder-dispenser (EUREKA) FASHION
LUSO MDML



EUREKA 5103.0013

1080053 COFFEE HOPPER LID ø 180 mm
for Grinder-dispenser (EUREKA) MONDIAL MDMC
MONDIAL MDME



EUREKA 5107.0013

1080061 COFFEE HOPPER LID 107x107 mm
for Grinder-dispenser (EUREKA) MCF



EUREKA 5104.0013



Suitable for:

1080057 COFFEE HOPPER LID 168x168 mm
for Grinder-dispenser (EUREKA) LUSO MDLCA65
LUSO MDLCA75



EUREKA 5101.0013

Suitable for:

1080054 COMPLETE COFFEE HOPPER
for Grinder-dispenser (EUREKA) MDLCA/C - MDLCA75



EUREKA 5101.0000
EUREKA 5201.0000

EUREKA 5101.0011

EUREKA 5103.0000

1080055 COMPLETE HOPPER
for Grinder-dispenser (EUREKA) MDMCA - MDMEA



EUREKA 5107.0000

EUREKA 5107.0010

EUREKA 5207.0000

1080052 GLASS COFFEE HOPPER
for Grinder-dispenser (EUREKA) LUSO MDML



EUREKA 5108.0000

EUREKA 5108.0010

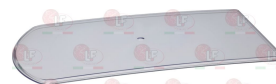
EUREKA 5208.0000

1080060 STAINL.STEEL COFFEE CONT.CLOSING SHEET
for Grinder-dispenser (EUREKA) MCF



EUREKA 5104.0020

5067572 TAP FOR COFFEE CONTAINER 370x190 mm



EUREKA 4100.0007

Counters

1252390 COUNTER FOR COFFEE GRINDER
for Grinder-dispenser (EUREKA) FASHION
LUSO MDLCA/C - LUSO MDLCA65 - LUSO MDLCA75
LUSO MDML - MONDIAL MDMC



EUREKA 2101.0012

5062149 COUNTER FOR COFFEE GRINDER
for Grinder-dispenser (EUREKA) OLYMPUS KR
OLYMPUS 75



EUREKA 2130.0016

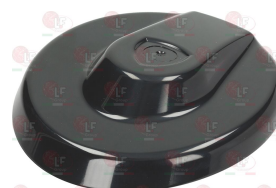
Dosers for coffee

1290003 BUSHING FOR DOSER
for Grinder-dispenser (EUREKA) OLYMPUS KR
OLYMPUS 75



EUREKA 2130.0043

1290001 DOSER CAP
for Grinder-dispenser (EUREKA) OLYMPUS KR
OLYMPUS 75



EUREKA 2130.0002

Suitable for:

1252388 DOSER CYLINDER \varnothing 114x67 mm
for Grinder-dispenser (EUREKA) FASHION
LUSSO MDML - MONDIAL MDMC



EUREKA 2020.0004

Suitable for:

1252387 DOSER CYLINDER \varnothing 117x91 mm
for Grinder-dispenser (EUREKA) LUSSO MDLCA/C
LUSSO MDLCA65 - LUSSO MDLC75



EUREKA 2020.0001

1290002 DOSER CYLINDER \varnothing 124 mm
for Grinder-dispenser (EUREKA) OLYMPUS KR
OLYMPUS 75



EUREKA 2130.0004

1090002 DOSER CYLINDER \varnothing 124/116x116 mm
 \varnothing external 124/116 mm - height 116 mm
for Grinder-dispenser (EUREKA) MDMEA



EUREKA 2010.0001

1090004 DOSER CYLINDER \varnothing 95x60 mm
for Grinder-dispenser (EUREKA) MCF



EUREKA 2310.0019

1252386 DOSER LID \varnothing 125 mm
for Coffee grinder (EUREKA) MDL - MDX - MDXA
for Grinder-dispenser (EUREKA) FASHION
LUSSO MDLCA/C - LUSSO MDLCA65 - LUSSO MDLCA75
LUSSO MDML - MDLCA - MDLCA/C - MONDIAL MDMC
MONDIAL MDME



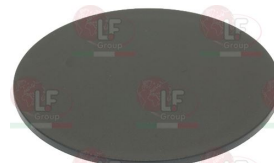
EUREKA 2010.0004

1252393 DOSER SCRAPER
for Grinder-dispenser (EUREKA) FASHION
LUSSO MDLCA/C - LUSSO MDLCA65 - LUSSO MDLCA75
LUSSO MDML - MONDIAL MDMC



EUREKA 2020.0005

1090005 HOPPER LID \varnothing 95 mm
for Grinder-dispenser (EUREKA) MCF



EUREKA 2310.0018

Electronic boxes

5051277 CENTRALINA ALIMENTATORE 230V



EUREKA 4110.0002



Suitable for:

EUREKA



Suitable for:

Electronic printed-circuit boards

5054742 ELECTRONIC PCB DISPLAY
sizes 117x74 mm



EUREKA 4111.0001

Feet

1313005 FOOT \varnothing 20 mm
for Grinder-dispenser (EUREKA) FASHION



EUREKA 2501.0004

Forks for portafilter coffee grinder

1252389 FILTER HOLDER FORK
for Grinder-dispenser (EUREKA) FASHION



EUREKA 2501.0011

1162004 FILTER HOLDER PLASTIC FORK
for Grinder-dispenser (EUREKA) MONDIAL MDME



EUREKA 2501.0010

Gaskets and seals

1186578 FIBERGLASS GASKET \varnothing 16x8x1.5 mm



EUREKA 3001.0013

1786323 FLAT GASKET PTFE \varnothing 41x36x1 mm
for star doser
for Grinder-dispenser (EUREKA) OLYMPUS KR
OLYMPUS 75



EUREKA 2130.0029

5067395 FRANGIA ROMPIGETTO USCITA CAFFÈ
dimensioni 45x15 mm



EUREKA 4100.0027



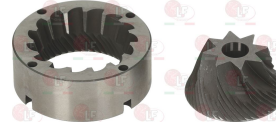
Grinders

5065680 BURRS PAIR EUREKA/SIMONELLI RH
 external \varnothing 74 mm - internal \varnothing 37 mm
 9 mm thickness - 3 fastening holes
 for Coffee grinder (EUREKA) MYTHOS



EUREKA MACMYTHOSLOWCP

1251038 CONICAL GRINDING BURRS EUREKA (PAIR) RH
 external \varnothing 68/49 mm - internal \varnothing 45/13 mm
 thickness 25 mm - 4 fixing holes
 for Grinder-dispenser (EUREKA) LUSO MDLCA/C
 OLYMPUS KR



EUREKA E-13/68

EUREKA E-13/68CP

1251070 GRINDING BURRS EUREKA (PAIR) RH
 external \varnothing 70 mm - internal \varnothing 38 mm
 thickness 9 mm - 3 mounting holes
 for Grinder-dispenser (EUREKA) MONDIALMDM



EUREKA MAC70CP

1251073 GRINDING BURRS EUREKA (PAIR) RH
 external \varnothing 85 mm - internal \varnothing 37 mm
 thickness 9 mm - 3 mounting holes
 for Grinder-dispenser (EUREKA) MCD



EUREKA MAC85

EUREKA MAC85CP

1251060 GRINDING BURRS EUREKA (PAIR) RIGHT
 external \varnothing 74 mm - internal \varnothing 38 mm
 thickness 9 mm - 3 mounting holes
 for Grinder-dispenser (EUREKA) FASHION
 LUSO MDLCA75 - LUSO MDML - MYTHOS
 OLYMPUS 75



EUREKA MAC74

EUREKA MAC74CP

EUREKA MAC75

1251068 GRINDING BURRS EUREKA (PAIR) RIGHT
 external \varnothing 60 mm - internal \varnothing 38 mm
 thickness 9 mm - 3 mounting holes
 for Grinder-dispenser (EUREKA) MDMEA



EUREKA MAC60

EUREKA MAC60CP

1251074 GRINDING BURRS EUREKA (PAIR) RIGHT
 external \varnothing 64 mm - internal \varnothing 38 mm
 thickness 9 mm - 3 mounting holes
 for Grinder-dispenser (EUREKA) MDLCA - MDMCA



EUREKA MAC64

EUREKA MAC65

EUREKA MAC64CP

EUREKA MAC64TR

1251069 GRINDING BURRS EUREKA PAIR RH
 \varnothing external 50 mm - \varnothing internal 30 mm
 thickness 7.5 mm - 3 mounting holes
 for Grinder-dispenser (EUREKA) MCF



EUREKA MAC50

EUREKA MAC50CP



Suitable for:

EUREKA



Suitable for:

Grinding burr holders

1251058 GRINDING BURRS BOTTOM HOLDER
for Grinder-dispenser (EUREKA) FASHION
LUSSO MDLC75 - LUSSO MDML - OLYMPUS 75



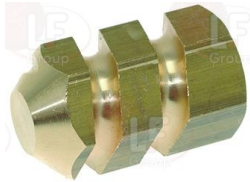
EUREKA 2520.0005

1251059 GRINDING BURRS BOTTOM HOLDER
for Grinder-dispenser (EUREKA) LUSSO MDLCA65
MONDIAL MDMC - MONDIAL MDME



EUREKA 2501.0002

1528038 GRINDING BURRS HOLDER LOCKING NUT
for Grinder-dispenser (EUREKA) FASHION
LUSSO MDLCA65 - LUSSO MDLC75 - LUSSO MDML
OLYMPUS 75



EUREKA 2501.0003

Indicator lights

1221007 INDICATOR LIGHT RED 230V
ø head 20 mm - ø hole 10 mm
wire connection length 200 mm
for Grinder-dispenser (EUREKA) OLYMPUS KR
OLYMPUS 75



EUREKA 1005.2220

Ironmongery (screws,nuts,washers)

1528153 COMPENSATION RING ø 23,8 mm
for Grinder-dispenser (EUREKA) OLYMPUS KR
OLYMPUS 75



EUREKA 6040.0049

1528001 COUNTERSUNK FLAT HEAD SCREWS M4x10
slotted - stainless steel
UNI 6109 - DIN 963 - ISO 2009



EUREKA 6060.0002

Suitable for:

3528291 CROSS HEAD FLUSH SCREW M4x8
cross-shaped - st./steel
UNI 7688 - DIN 965 - ISO 7046



EUREKA 6060.0032

Suitable for:

1528042 CYLINDER HEAD SCREW M3x6
in zinc plated iron alloy - slottet
UNI 6107 - DIN 84 - ISO 1207



EUREKA 6060.0028

1528100 CYLINDER HEAD SCREW M4x12
stainless steel - cross cut
UNI 7687 - DIN 7985 - ISO 7045



EUREKA 6060.0010

1528631 CYLINDER HEAD SCREW M4x8
stainless steel - cross recessed
UNI 7687 - DIN 7985 - ISO 7045



EUREKA 6060.0068

5007788 CYLINDER HEAD SCREW M5x25
stainless steel - cross recessed
UNI 7687 - DIN 7985 - ISO 7045



EUREKA 6060.0016

1528009 HEXAGON HEAD SCREW M6x12
inox - UNI 5739 - DIN 933 - ISO 4017



EUREKA 6060.0004

3528143 HEXAGON NUT M5 BLIND
stainless steel - altezza 11 mm - UNI 5721 - DIN 1



EUREKA 3001.0011

3528112 HEXAGONAL HEAD SCREW M6x16
st./steel - UNI 5739 - DIN 933 - ISO 4017



EUREKA 6060.0003

1348813 HEXAGONAL NUT M4 MEDIUM
stainless steel - UNI 5588 - DIN 934 - ISO 4032



EUREKA 6062.0005

1528030 MID HEXAGONAL NUT M6
stainless steel - UNI 5588 - DIN 934 - ISO 4032



EUREKA 6062.0003

EUREKA 6062.0004



Suitable for:

1528039 NUT FOR DOSER GROUP
for Grinder-dispenser (EUREKA) FASHION



EUREKA 2001.0002

Suitable for:

3053163 SELF-LOCKING HEXAGON NUT M6
stainless steel - with nylon built-in ring
UNI 7473 - DIN 982 - ISO 7040
for Grinder-dispenser (EUREKA) OLYMPUS KR
OLYMPUS 75



EUREKA 6062.0014

1186504 WASHER FLAT M10
internal/external \varnothing 10.5/20 mm - thickness 2 mm
stainless steel - UNI 6592 - DIN 125 A - ISO 7089



EUREKA 6061.0001

1252395 WASHER FOR DOSER LEVER
for Grinder-dispenser (EUREKA) FASHION



EUREKA 2001.0005

Knobs

1241113 ADJUSTMENT KNOB
for Grinder-dispenser (EUREKA) FASHION



EUREKA 2501.0001

Levers

5048914 DISPENSER LEVER
for Grinder-dispenser (EUREKA) OLYMPUS KR
OLYMPUS 75



EUREKA 2130.0009

1225024 DOSER LEVER
for Grinder-dispenser (EUREKA) MDMEA



EUREKA 2201.0009

1225025 DOSER LEVER
for Grinder-dispenser (EUREKA) MCF



EUREKA 2301.0002



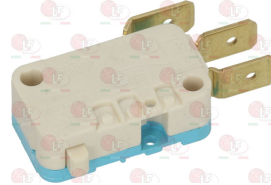
Microswitches, mechanical

1252391 AUTOMATIC MICROSWITCH BOX
without microswitch
for Grinder-dispenser (EUREKA) LUSO MDLCA/C
LUSO MDLCA65 - LUSO MDLCA75 - MONDIAL MDMC
MONDIAL MDME



EUREKA 2010.0003

3240123 MICROSWITCH ROLD VRSRB1DA1
16A 250V
for Grinder-dispenser (EUREKA) FASHION
OLYMPUS KR - OLYMPUS 75



EUREKA 1000.0002

5047714 MICROSWITCH 250V 6A



EUREKA 4110.0006

1240028 MICROSWITCH 6A 250V
for Grinder-dispenser (EUREKA) FASHION
LUSO MDLCA/C - LUSO MDLCA65 - LUSO MDLCA75
LUSO MDML - MONDIAL MDMC



EUREKA 1000.0003

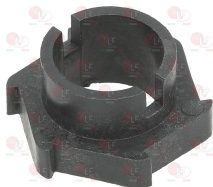
1240040 PUSH-BUTTON MICROSWITCH
for Grinder-dispenser (EUREKA) FASHION
LUSO MDLCA/C - LUSO MDLCA65 - LUSO MDLCA75
LUSO MDML - MONDIAL MDMC



EUREKA 1005.0006

Pawls for coffee grinder dosers

1252394 DOSER PAWL
for Grinder-dispenser (EUREKA) FASHION



EUREKA 2001.0004

1252402 PAWL 5 TEETH
for Grinder-dispenser (EUREKA) MCF



EUREKA 2301.0003



Suitable for:

Suitable for:

5052230 6-TEETH PAWL
 for Grinder-dispenser (EUREKA) OLYMPUS KR
 OLYMPUS 75



EUREKA 2130.0020

Pins

1252400 DOSE GROUP PIN \varnothing 4x16 mm
 for Grinder-dispenser (EUREKA) OLYMPUS KR
 OLYMPUS 75



EUREKA 2301.0009

1252399 DOSE GROUP PIN \varnothing 4x18 mm



EUREKA 2301.0010

1252396 DOSE GROUP PIN \varnothing 5x18 mm
 for Grinder-dispenser (EUREKA) FASHION



EUREKA 2001.0011

1252397 DOSE GROUP PIN \varnothing 5x30 mm
 for Grinder-dispenser (EUREKA) FASHION



EUREKA 2001.0010

Rotary switches

5052231 SELECTOR SWITCH 0-1 POSITION 16A 600V
 knurled pin- 16A 600V
 for Grinder-dispenser (EUREKA) MCD4/65 - MCD4/75
 OLYMPUS K - OLYMPUS KR - OLYMPUS 75



EUREKA 1011.0002

1057008 SELECTOR SWITCH 0-1 POSITIONS
 for Grinder-dispenser (EUREKA) FASHION
 LUSSO MDLCA/C - LUSSO MDLCA65 - LUSSO MDLC75
 LUSSO MDML - MONDIAL MDMC



EUREKA 1011.0003

Springs

1250135 DOSER CLASP SPRING \varnothing 4x18 mm



EUREKA 6002.2318

1250136 DOSER LEVER RETURN SPRING 4x48 mm
 for EUREKA MCF
 for NUOVA SIMONELLI MCF



EUREKA 6002.2320

Suitable for:

1250134 DOSER LEVER RETURN SPRING 8x85 mm
for EUREKA MDLCA65-MDLCA75-MDLCA/C-MDML
MONDIAL MDMC-MONDIAL MDME
for NUOVA SIMONELLI MDX-MDXA-MDL-MDLCA-MDLCA/C
for Grinder-dispenser (EUREKA) FASHION



EUREKA 6002.3162

Suitable for:

5054247 MOLLA ø 12x94 mm PER LEVA PRESSINO



EUREKA 6002.8219

5082433 MOLLA PER RICHIAMO LEVA DOSATORE DX



EUREKA 6002.3580

1250138 PIN SPRING ø 4x12 mm
for Grinder-dispenser (EUREKA) OLYMPUS KR
OLYMPUS 75



EUREKA 6002.2319

1250087 SPRING ø 4.5x12 mm
for Grinder-dispenser (EUREKA) FASHION
OLYMPUS KR - OLYMPUS 75



EUREKA 6002.1286

1250373 STAR SPRING ø 16x41 mm
for Grinder-dispenser (EUREKA) OLYMPUS KR
OLYMPUS 75



EUREKA 6002.2131

1250132 STAR SPRING ø 16x60 mm
for EUREKA LUSO MDLCA65-MDLCA75-LUSO MDLCA/C
LUSO MDML-MONDIAL MDMC-MONDIAL MDME
for NUOVA SIMONELLI MDX-MDXA-MDL-MDLCA-MDLCA/C
for Grinder-dispenser (EUREKA) FASHION



EUREKA 6002.1128

1250137 STAR SPRING ø 24x24 mm
for EUREKA MCF
for NUOVA SIMONELLI MCF



EUREKA 6002.2317

1250133 STAR SPRING ø 36x23 mm
for EUREKA LUSO MDLCA65/MDLCA75-LUSO MDLCA/C
LUSO MDML-MONDIAL MDMC-MONDIAL MDME
for NUOVA SIMONELLI MDX-MDXA-MDL-MDLCA-MDLCA/C
for Grinder-dispenser (EUREKA) FASHION



EUREKA 6002.1092

1250131 TIE ROD ADJUSTMENT SPRING ø 10x60 mm
for Grinder-dispenser (EUREKA) OLYMPUS KR
OLYMPUS 75



EUREKA 6002.7360



Suitable for:

EUREKA



Suitable for:

Stars and spare parts

1343040 BOTTOM STAR
for Grinder-dispenser (EUREKA) MDMEA



EUREKA 2101.0013

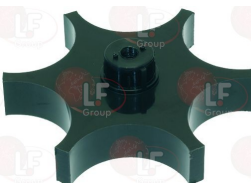
EUREKA 2201.0013

1343050 BOTTOM STAR
for Grinder-dispenser (EUREKA) MCF



EUREKA 2301.0013

1343039 CENTRAL STAR
for Grinder-dispenser (EUREKA) MDMEA



EUREKA 2001.0013

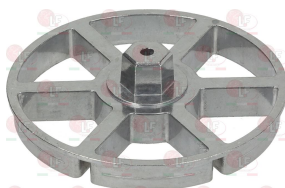
1343038 DIVIDING SHEET
for Grinder-dispenser (EUREKA) FASHION - MDMEA



EUREKA 2001.0014

EUREKA 2001.1014

1343083 MIDDLE STAR
for Grinder-dispenser (EUREKA) OLYMPUS KR
OLYMPUS 75



EUREKA 2130.0007

1343035 MIDDLE STAR OF ALUMINIUM
for Grinder-dispenser (EUREKA) FASHION
LUSSO MDLCA/C - LUSSO MDLCA65 - LUSSO MDLC75
LUSSO MDML - MONDIAL MDMC



EUREKA 2001.0113

1343034 PLASTIC TOP STAR
for Grinder-dispenser (EUREKA) FASHION
LUSSO MDLCA/C - LUSSO MDLCA65 - LUSSO MDLC75
LUSSO MDML - MONDIAL MDMC - MONDIAL MDME



EUREKA 2001.0016

1343045 S/STEEL DIVIDING SHEET
for Grinder-dispenser (EUREKA) MCF



EUREKA 2301.0014

1343044 TOP STAR
for Grinder-dispenser (EUREKA) MCF



EUREKA 2301.0016

1343082 UPPER STAR
for Grinder-dispenser (EUREKA) OLYMPUS KR
OLYMPUS 75



EUREKA 2130.0005



Switches

3319294 BLACK BIPOLAR SWITCH 16A 250V
 16(4)A 250V - with red led indicator light
 mounting hole 22x30 mm
 for Grinder-dispenser (EUREKA) FASHION



EUREKA 1011.0001

3319501 PUSH-BUTTON PROTECTION CAP
 external dimensions 29x36 mm
 for switches with mounting hole 22x30 mm



Tampers for coffee

1385012 COFFEE TAMPER ø 56 mm
 for Grinder-dispenser (EUREKA) FASHION



EUREKA 2001.0017

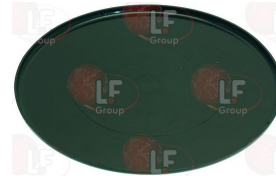
Trays

5055405 COFFEE COLLECTING TRAY



EUREKA 4100.0009

1252385 COFFEE COLLECTING TRAY ø 170 mm
 for Grinder-dispenser (EUREKA) LUSO MDLC
 LUSO MDLCA/C - LUSO MDLCA65 - LUSO MDML
 MONDIAL MDMC - MONDIAL MDME



EUREKA 2501.0005

5080286 COFFEE COLLECTION TRAY
 for Grinder-dispenser (EUREKA) OLYMPUS KR
 OLYMPUS 75



EUREKA 2560.0005

EUREKA 2560.0013

The data herewith contained may change without notice and LF SpA cannot be held responsible for possible errors stated or resulting by the use of this document. All rights reserved. No part of this publication may be reproduced without written permission by LF SpA.



Distributing Components, Spare Parts & Accessories in original quality worldwide

-
- LF SpA HEADQUARTERS**
via Voltri, 80 - 47522 Cesena (FC) ITALY
Tel. +39 0547 34 11 11 - Fax +39 0547 34 11 10
www.lfricambi724.it - info@lfricambi.it
Export Dept. Tel. +39 0547 34 11 50 - Fax +39 0547 34 11 55
www.lfspareparts724.com - export@lfspareparts.com
- LF SpA HOUSEHOLD COMPONENTS DIVISION**
Via Padriciano, 99 - AREA Science Park - 34149 Trieste (TS) ITALY
Tel. +39 0547 34 12 42 - Fax +39 0547 34 12 48
www.lfspareparts724.com - info@lfspareparts.com
- EPGC Sas FRANCE**
13, Rue des Forts - 59960 Neuville en Ferrain
Tel. +33 (0)3 20 25 06 21 - Fax +33 (0)3 20 25 34 12
www.epgc.com - epgc@epgc.com
- LF GmbH GERMANY**
Junkersstrasse, 3 - D-82178 Puchheim - München
Tel. +49 89 89 45 78 66 - Fax +49 89 89 45 78 88
www.lfersatzteile724.de - info@lfersatzteile.de
- LF China REPUBLIC OF CHINA**
Room 403, No.2, Huadu Mansion, Lane 422, Huanghua Rd.
Minhang Dist. - 201103 Shanghai
Tel. +86 (0)21 33 53 66 31 - Fax +86 (0)21 33 53 66 32
www.lfspareparts724.com - china@lfspareparts.com
- OOO LF RUSSIAN FEDERATION**
Ul. Anatoliya Zhivova, 8 - office 1 - 123100 Moscow
Tel./Fax +7 495 725 26 53
www.lfspareparts724.ru - info@lfspareparts.ru
- LF Repuestos Horeca S.L.U. SPAIN**
Poligono Industrial Carpetania - C/Miguel Faraday, 8 - 28906 Getafe
Tel. +34 91 477 91 00 - Fax +34 91 477 90 81
www.lfrepuestos-horeca724.es - info@lfrepuestos.es
- LF Scandinavia Aps - LF Spareparts S.p.A. DENMARK**
Nupark, 51 - 7500 Holstebro
Tel. +45 70 70 77 33
www.lfspareparts724.dk - denmark@lfspareparts.dk
- LF SpA Cesena (IT) Swiss Branch Steinhausen SWITZERLAND**
Sennweidstrasse, 45 - CH-6312 Steinhausen
Tel. +41 (0)41 760 15 80/1 - Fax +41 (0)41 760 15 85
www.lfersatzteile724.ch - info@lfersatzteile.ch
- LF Spare Parts Ltd. UNITED KINGDOM**
A10a Lakeside Business Park, Broadway Lane
South Cerney, Gloucestershire GL7 5XL
Tel. +44 (0)1285 86 16 25 - Fax +44 (0)1285 86 39 49
www.lfspareparts724.co.uk - info@lfspareparts.co.uk
- LF Central Est Europe S.r.o. CZECH REPUBLIC**
Antala Staska 1859/34
14000 Praha 4 - KRC
Tel. +420 730 156 910
www.lfspareparts724.cz - info@lfspareparts.cz
- LF SPARE PARTS INC. USA**
Legal address:
155 Office Plaza Dr - Suite A - Tallahassee, FL 32301
Business/Mailing address:
1100 South Tower, 225 Peachtree St., N.E. - Atlanta, GA 30303, USA
Tel. +1-404-525-2600 - Fax +1-404-586-3528
www.lfspareparts724.us - info@lfspareparts.us
Tel. West Coast and Midwest: 206-349-1525 Sauro
Tel. East Coast and the Caribbean: 786-817-1764 Luis
-
- AUSTRALIA AND NEW ZEALAND**
www.lfspareparts724.com
andrea.calvio@lfspareparts.com
- AUSTRIA**
www.lfersatzteile724.at
info@lfersatzteile.at
- BALKAN COUNTRIES**
www.lfspareparts724.com
matija.ramov@lfspareparts.com
- BALTIC COUNTRIES**
www.lfspareparts724.com
inara.silina@lfspareparts.com
- LATIN AMERICA AND THE CARRIBEANS**
www.lfrepuestos-horeca724.es
export@lfrepuestos.es
- POLAND**
www.lfspareparts724.pl
info@lfspareparts.pl
- SOUTH KOREA**
www.lfspareparts724.com
fabio.doni@lfspareparts.com
- TURKEY**
www.lfyedekparca724.com
export@lfspareparts.com