



Spare parts for the professional sector: Coffee grinders



Suitable for:

COMPAK



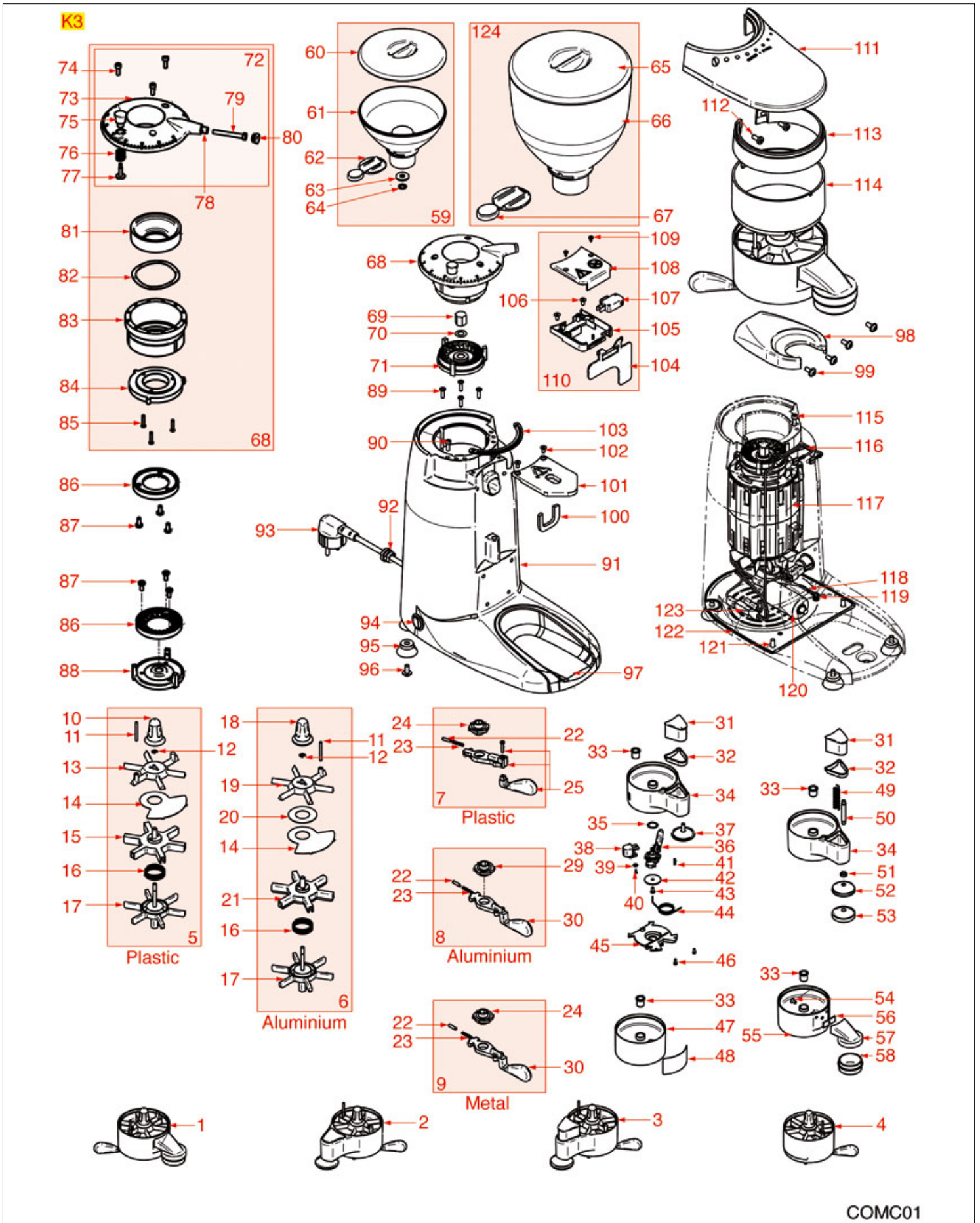
This catalogue is automatically generated.
Therefore, the sequence of the items might
not be always shown at best.
Updates will be issued in case of additions
and/or amendments.

Suitable universal spare parts may not be included





GRINDER ASSEMBLY K3





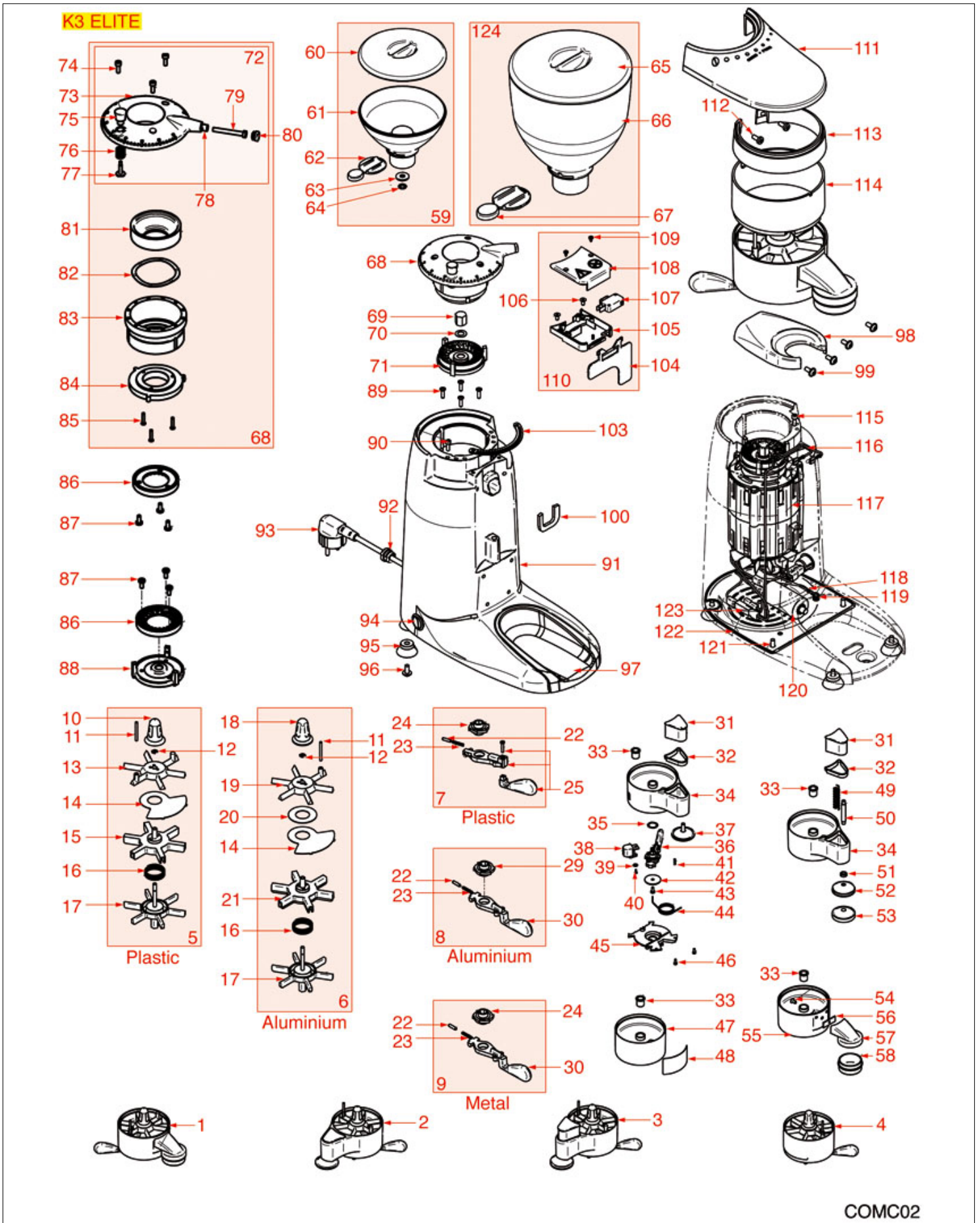
COMPAK



Position	LF code no.	Description
5	1343001	PLASTIC STAR ASSEMBLY
6	1343002	ALUMINIUM STAR ASSEMBLY
10	1241087	PLASTIC ADJUSTMENT KNOB
11	1090026	DOSER SCRAPER \varnothing 4x42 mm
13	1343069	PLASTIC TOP STAR
14	1343070	DIVIDING SHEET
15	1343071	PLASTIC MIDDLE STAR
16	1250210	STAR SPRING \varnothing 38x35 mm
17	1343072	BOTTOM STAR OF ALUMINIUM
18	1241100	ALUMINIUM ADJUSTMENT KNOB
19	1343073	TOP STAR OF ALUMINIUM
22	1324602	HANDLE SPINDLE
23	1250207	LEVER PIN SPRING \varnothing 4.5x24 mm
24	1225031	6-TEETH PAWL
25	1225034	METAL DOSER LEVER
29	1225031	6-TEETH PAWL
30	1225034	METAL DOSER LEVER
33	1252455	BUSHING FOR DOSER
35	1252457	WAVE WASHER \varnothing 25.5 mm
37	1439803	CAP LOWER \varnothing 57 mm
38	1252458	COUNTER FOR COFFEE GRINDER
41	1186953	RUBBER PIECE
42	1186955	SHAFT WASHER \varnothing 40x5x2 mm
44	1250198	DOSER LEVER RETURN SPRING LEFTHAND
44	1250208	DOSER LEVER RETURN SPRING RIGHTHAND
45	1090803	DOSER BASE K6/K8
49	1250195	COFFEE TAMPER SPRING \varnothing 15x85 mm
53	1439805	COFFEE TAMPER CAP \varnothing 52 mm
56	1090814	THREADED REINFORCEMENT
57	1385516	STANDARD COFFEE TAMPER
58	1385516	STANDARD COFFEE TAMPER
58	1439802	CAP COFFEE TAMPER \varnothing 50 mm
62	1080096	COFFEE HOPPER CLOSING SHEET
65	1080097	COFFEE HOPPER LID \varnothing 163 mm
66	1080094	COFFEE HOPPER
67	1080096	COFFEE HOPPER CLOSING SHEET
68	1251136	GRINDING BURRS TOP HOLDER
68	1251148	GRINDING BURRS TOP HOLDER
73	1252459	ADJUSTMENT RING NUT
86	1251137	GRINDING BURRS COMPAK (PAIR) RH
87	1528001	COUNTERSUNK FLAT HEAD SCREWS M4x10
94	1319232	SWITCH BLACK SINGLE-POLE 10A 250V
95	1313551	SUCTION FOOT
97	1260007	COFFEE COLLECTION TRAY
98	1162016	FILTER HOLDER FORK
100	1186740	COFFEE OUTLET GASKET
104	1240067	DOSER FLAP
107	1240059	MICROSWITCH 21A 250V
110	1240068	MICRO BOX ASSY
111	1090027	DOSER LID
113	1002821	DOSER RING
114	1090025	DOSER CYLINDER \varnothing 125x60 mm
120	3068010	CAPACITOR DUCATI ENERGIA 6,3 μ F



GRINDER ASSEMBLY K3 ELITE





COMPAK

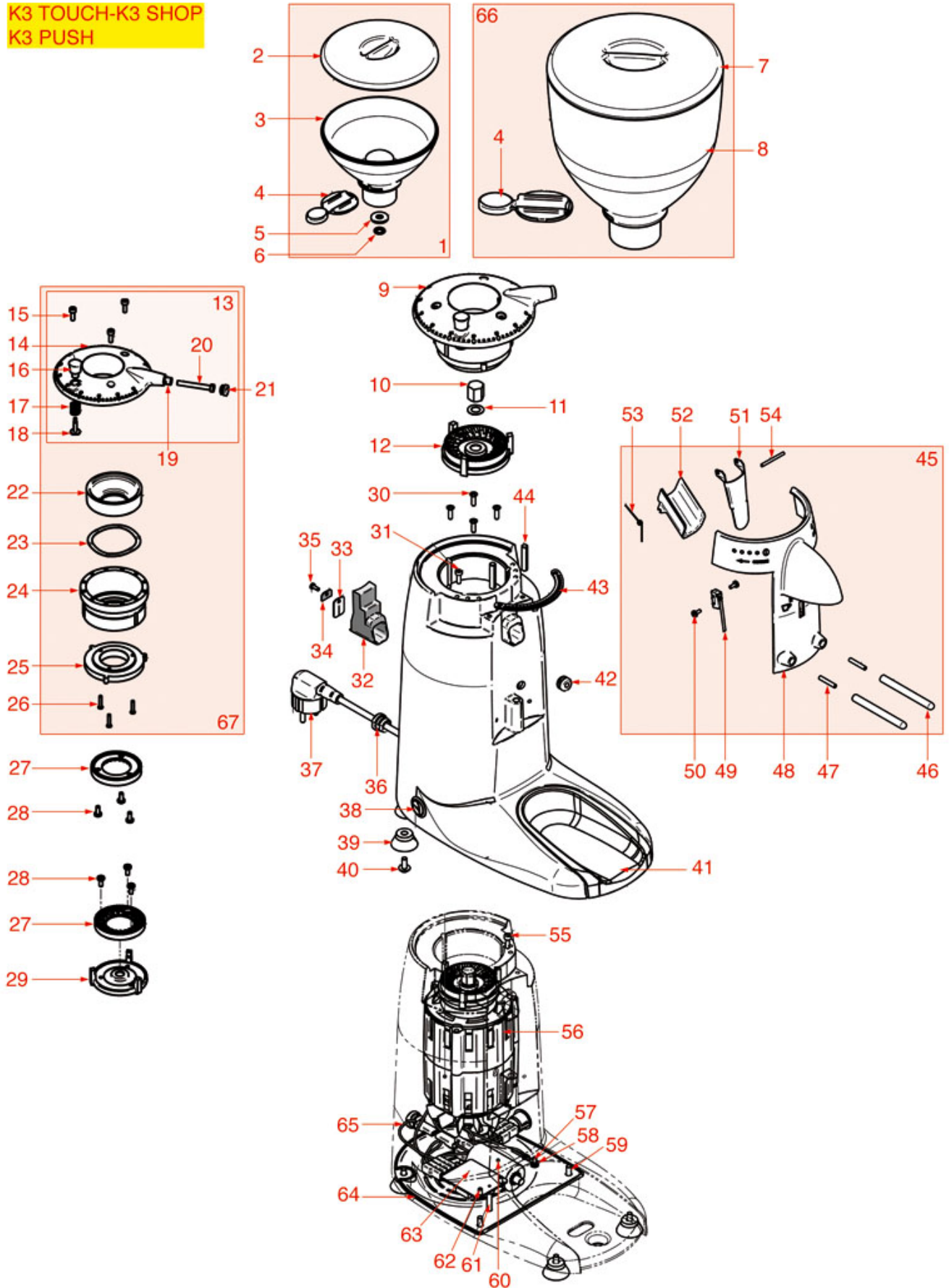


Position	LF code no.	Description
5	1343001	PLASTIC STAR ASSEMBLY
6	1343002	ALUMINIUM STAR ASSEMBLY
10	1241087	PLASTIC ADJUSTMENT KNOB
11	1090026	DOSER SCRAPER \varnothing 4x42 mm
13	1343069	PLASTIC TOP STAR
14	1343070	DIVIDING SHEET
15	1343071	PLASTIC MIDDLE STAR
16	1250210	STAR SPRING \varnothing 38x35 mm
17	1343072	BOTTOM STAR OF ALUMINIUM
18	1241100	ALUMINIUM ADJUSTMENT KNOB
19	1343073	TOP STAR OF ALUMINIUM
22	1324602	HANDLE SPINDLE
23	1250207	LEVER PIN SPRING \varnothing 4.5x24 mm
24	1225031	6-TEETH PAWL
25	1225034	METAL DOSER LEVER
29	1225031	6-TEETH PAWL
30	1225034	METAL DOSER LEVER
33	1252455	BUSHING FOR DOSER
35	1252457	WAVE WASHER \varnothing 25.5 mm
37	1439803	CAP LOWER \varnothing 57 mm
38	1252458	COUNTER FOR COFFEE GRINDER
41	1186953	RUBBER PIECE
42	1186955	SHAFT WASHER \varnothing 40x5x2 mm
44	1250198	DOSER LEVER RETURN SPRING LEFTHAND
44	1250208	DOSER LEVER RETURN SPRING RIGHTHAND
45	1090803	DOSER BASE K6/K8
49	1250195	COFFEE TAMPER SPRING \varnothing 15x85 mm
53	1439805	COFFEE TAMPER CAP \varnothing 52 mm
56	1090814	THREADED REINFORCEMENT
57	1385516	STANDARD COFFEE TAMPER
58	1385516	STANDARD COFFEE TAMPER
58	1439802	CAP COFFEE TAMPER \varnothing 50 mm
62	1080096	COFFEE HOPPER CLOSING SHEET
65	1080097	COFFEE HOPPER LID \varnothing 163 mm
66	1080094	COFFEE HOPPER
67	1080096	COFFEE HOPPER CLOSING SHEET
68	1251148	GRINDING BURRS TOP HOLDER
73	1252459	ADJUSTMENT RING NUT
86	1251138	GRINDING BURRS COMPAK (PAIR) RH
87	1528001	COUNTERSUNK FLAT HEAD SCREWS M4x10
94	1319233	SWITCH BLACK SINGLE-POLE 10A 250V
95	1313551	SUCTION FOOT
97	1260007	COFFEE COLLECTION TRAY
98	1162016	FILTER HOLDER FORK
100	1186740	COFFEE OUTLET GASKET
104	1240067	DOSER FLAP
107	1240059	MICROSWITCH 21A 250V
110	1240068	MICRO BOX ASSY
111	1090027	DOSER LID
113	1002511	CHROMEPLATED DOSER RING
114	1090025	DOSER CYLINDER \varnothing 125x60 mm
120	3068010	CAPACITOR DUCATI ENERGIA 6,3 μ F



COFFEE GRINDER K3 TOUCH-K3 SHOP-K3 PUSH

K3 TOUCH-K3 SHOP
K3 PUSH





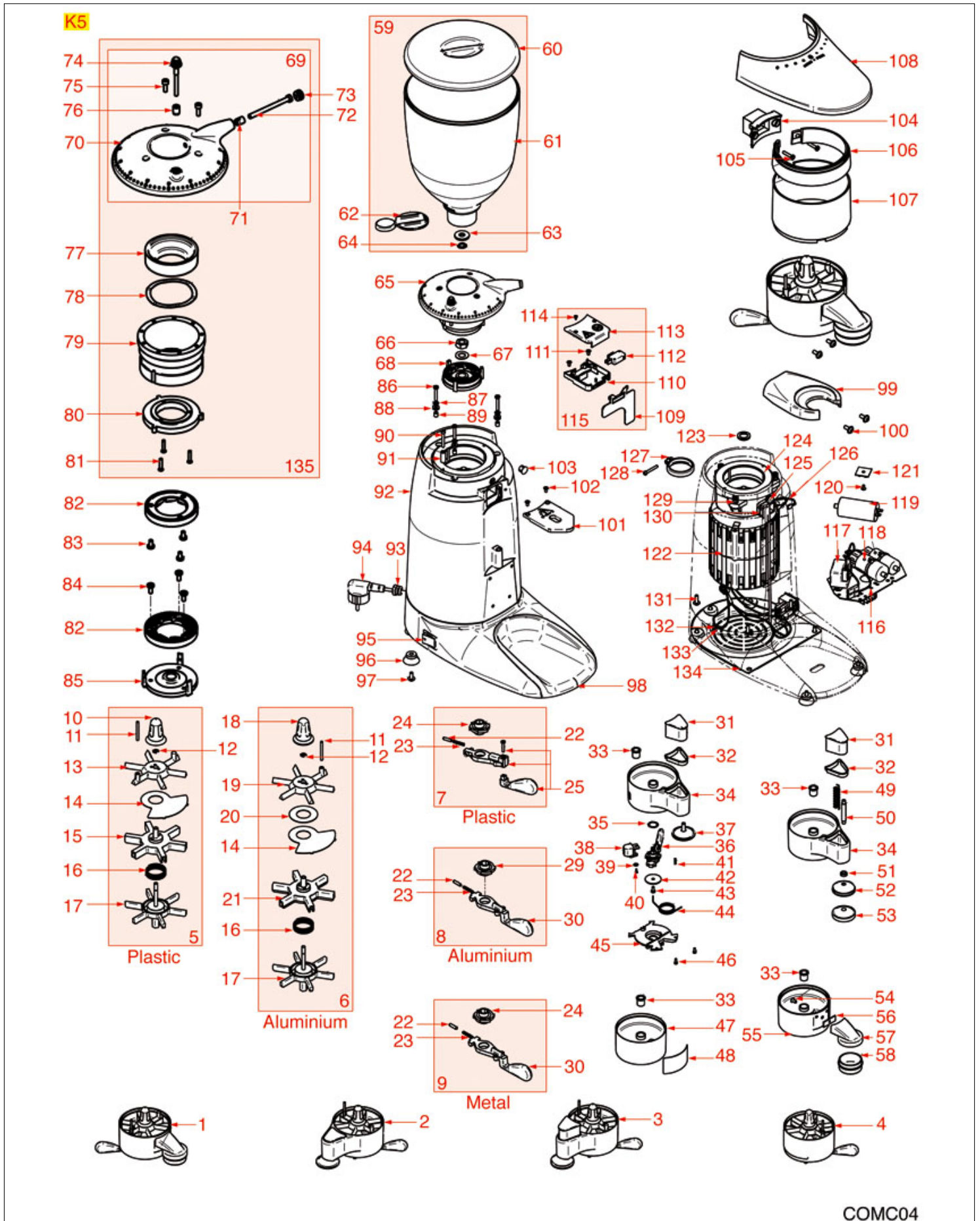
COMPAK



Position	LF code no.	Description
4	1080096	COFFEE HOPPER CLOSING SHEET
7	1080097	COFFEE HOPPER LID ø 163 mm
8	1080094	COFFEE HOPPER
14	1252459	ADJUSTMENT RING NUT
27	1251138	GRINDING BURRS COMPAK (PAIR) RH
28	1528001	COUNTERSUNK FLAT HEAD SCREWS M4x10
38	1319231	SWITCH BLACK SINGLE-POLE 10A 250V
39	1313551	SUCTION FOOT
41	1260007	COFFEE COLLECTION TRAY
49	1240069	MICROSWITCH 0.1A 250V
49	1240070	MICROSWITCH 10A 250V
60	3068010	CAPACITOR DUCATI ENERGIA 6,3µF
67	1251148	GRINDING BURRS TOP HOLDER



GRINDER ASSEMBLY K5





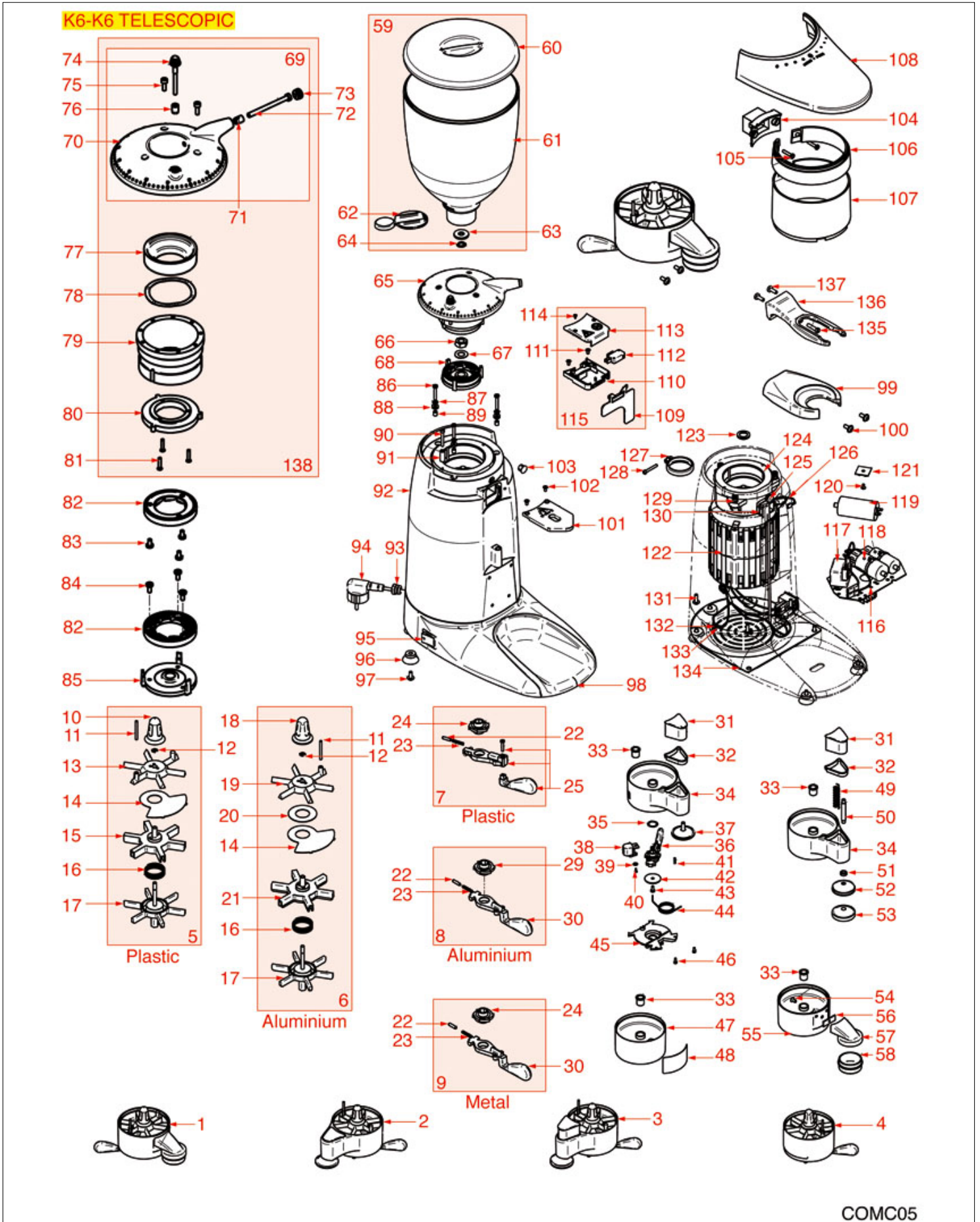
COMPAK



Position	LF code no.	Description
5	1343001	PLASTIC STAR ASSEMBLY
6	1343002	ALUMINIUM STAR ASSEMBLY
10	1241087	PLASTIC ADJUSTMENT KNOB
11	1090026	DOSER SCRAPER \varnothing 4x42 mm
13	1343069	PLASTIC TOP STAR
14	1343070	DIVIDING SHEET
15	1343071	PLASTIC MIDDLE STAR
16	1250210	STAR SPRING \varnothing 38x35 mm
17	1343072	BOTTOM STAR OF ALUMINIUM
18	1241100	ALUMINIUM ADJUSTMENT KNOB
19	1343073	TOP STAR OF ALUMINIUM
22	1324602	HANDLE SPINDLE
23	1250207	LEVER PIN SPRING \varnothing 4.5x24 mm
24	1225031	6-TEETH PAWL
25	1225034	METAL DOSER LEVER
29	1225031	6-TEETH PAWL
30	1225034	METAL DOSER LEVER
33	1252455	BUSHING FOR DOSER
35	1252457	WAVE WASHER \varnothing 25.5 mm
37	1439803	CAP LOWER \varnothing 57 mm
38	1252458	COUNTER FOR COFFEE GRINDER
41	1186953	RUBBER PIECE
42	1186955	SHAFT WASHER \varnothing 40x5x2 mm
44	1250198	DOSER LEVER RETURN SPRING LEFTHAND
44	1250208	DOSER LEVER RETURN SPRING RIGHTHAND
45	1090803	DOSER BASE K6/K8
49	1250195	COFFEE TAMPER SPRING \varnothing 15x85 mm
53	1439805	COFFEE TAMPER CAP \varnothing 52 mm
56	1090814	THREADED REINFORCEMENT
57	1385516	STANDARD COFFEE TAMPER
58	1385516	STANDARD COFFEE TAMPER
58	1439802	CAP COFFEE TAMPER \varnothing 50 mm
59	1080506	COMPLETE COFFEE HOPPER
60	1252366	COFFEE HOPPER LID
61	1080095	COFFEE HOPPER
62	1080096	COFFEE HOPPER CLOSING SHEET
82	1251501	GRINDING BURRS PAIR COMPAK RH
84	1528001	COUNTERSUNK FLAT HEAD SCREWS M4x10
85	1251147	GRINDING BURRS BOTTOM HOLDER
95	3319294	BLACK BIPOLAR SWITCH 16A 250V
96	1313551	SUCTION FOOT
98	1260004	COFFEE COLLECTION TRAY
99	1162016	FILTER HOLDER FORK
104	1252461	GASKET FOR COFFEE OUTLET OPENING
106	1002511	CHROMEPLATED DOSER RING
106	1002821	DOSER RING
107	1090810	DOSER CYLINDER
108	1090029	DOSER LID
109	1090030	DOSER FLAP
112	1240059	MICROSWITCH 21A 250V
115	1252102	FLAP WITH MICROSWITCH BOX
123	1186954	RETAINING GASKET
130	3186343	O-RING 02106 EPDM



GRINDER ASSEMBLY K6-K6 TELESCOPIC





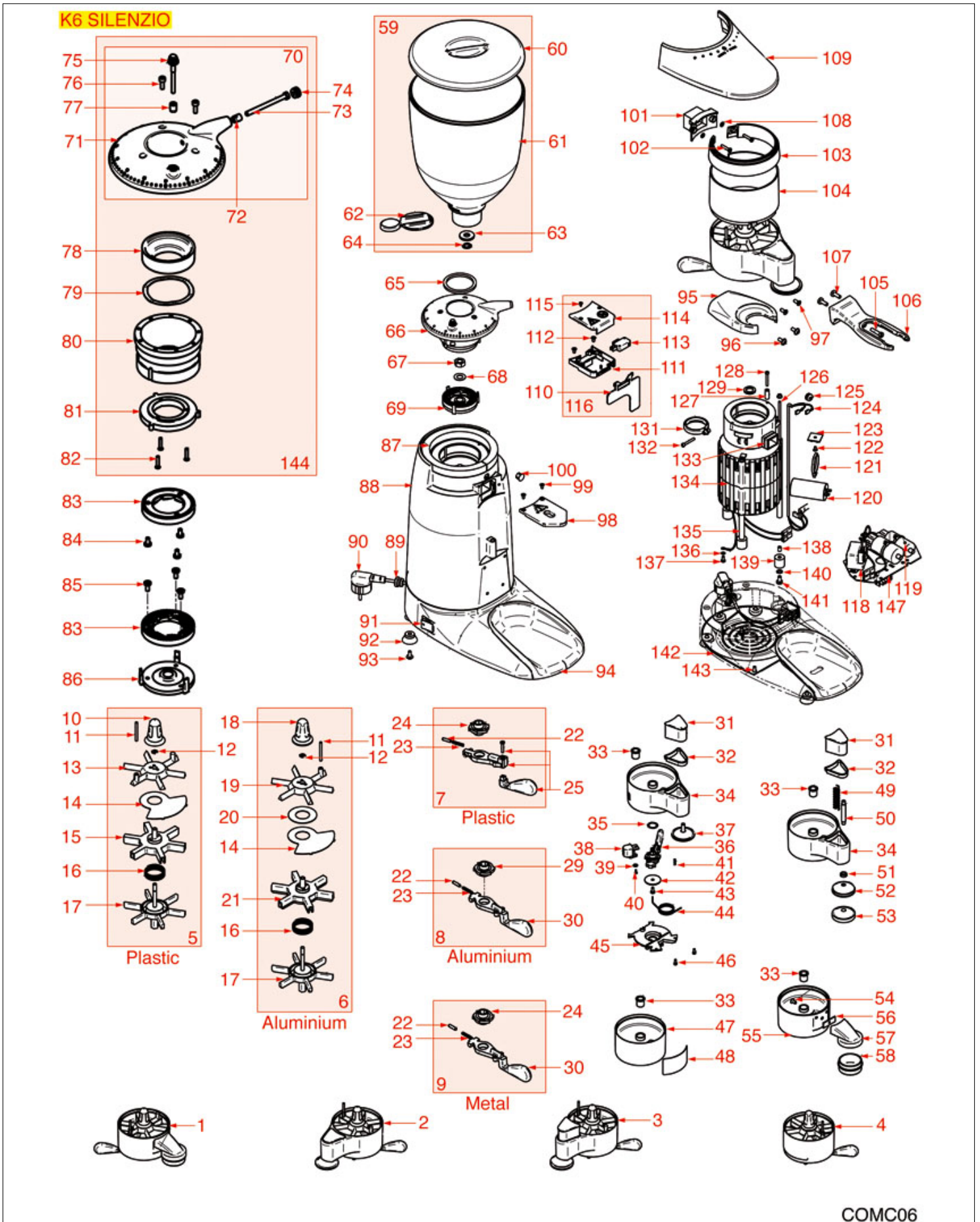
COMPAK



Position	LF code no.	Description
5	1343001	PLASTIC STAR ASSEMBLY
6	1343002	ALUMINIUM STAR ASSEMBLY
10	1241087	PLASTIC ADJUSTMENT KNOB
11	1090026	DOSER SCRAPER \varnothing 4x42 mm
13	1343069	PLASTIC TOP STAR
14	1343070	DIVIDING SHEET
15	1343071	PLASTIC MIDDLE STAR
16	1250210	STAR SPRING \varnothing 38x35 mm
17	1343072	BOTTOM STAR OF ALUMINIUM
18	1241100	ALUMINIUM ADJUSTMENT KNOB
19	1343073	TOP STAR OF ALUMINIUM
22	1324602	HANDLE SPINDLE
23	1250207	LEVER PIN SPRING \varnothing 4.5x24 mm
24	1225031	6-TEETH PAWL
25	1225034	METAL DOSER LEVER
29	1225031	6-TEETH PAWL
30	1225034	METAL DOSER LEVER
33	1252455	BUSHING FOR DOSER
35	1252457	WAVE WASHER \varnothing 25.5 mm
37	1439803	CAP LOWER \varnothing 57 mm
38	1252458	COUNTER FOR COFFEE GRINDER
41	1186953	RUBBER PIECE
42	1186955	SHAFT WASHER \varnothing 40x5x2 mm
44	1250198	DOSER LEVER RETURN SPRING LEFTHAND
44	1250208	DOSER LEVER RETURN SPRING RIGHTHAND
45	1090803	DOSER BASE K6/K8
49	1250195	COFFEE TAMPER SPRING \varnothing 15x85 mm
53	1439805	COFFEE TAMPER CAP \varnothing 52 mm
56	1090814	THREADED REINFORCEMENT
57	1385516	STANDARD COFFEE TAMPER
58	1385516	STANDARD COFFEE TAMPER
58	1439802	CAP COFFEE TAMPER \varnothing 50 mm
59	1080506	COMPLETE COFFEE HOPPER
60	1252366	COFFEE HOPPER LID
61	1080095	COFFEE HOPPER
62	1080096	COFFEE HOPPER CLOSING SHEET
82	1251504	GRINDING BURRS PAIR COMPAK-WEGA RH
82	1251701	GRINDING BURRS PAIR COMPAK-WEGA RH
84	1528001	COUNTERSUNK FLAT HEAD SCREWS M4x10
85	1251131	GRINDING BURRS BOTTOM HOLDER
95	3319294	BLACK BIPOLAR SWITCH 16A 250V
96	1313551	SUCTION FOOT
98	1260004	COFFEE COLLECTION TRAY
99	1162016	FILTER HOLDER FORK
104	1252461	GASKET FOR COFFEE OUTLET OPENING
106	1002511	CHROMEPLATED DOSER RING
106	1002821	DOSER RING
107	1090810	DOSER CYLINDER
108	1090029	DOSER LID
109	1090030	DOSER FLAP
112	1240059	MICROSWITCH 21A 250V
115	1252102	FLAP WITH MICROSWITCH BOX
123	1186954	RETAINING GASKET
130	3186343	O-RING 02106 EPDM
136	1090802	FILTER HOLDER FORK



GRINDER ASSY K6 SILENZIO-K6 SILENZIO T





COMPAK



Position	LF code no.	Description
5	1343001	PLASTIC STAR ASSEMBLY
6	1343002	ALUMINIUM STAR ASSEMBLY
10	1241087	PLASTIC ADJUSTMENT KNOB
11	1090026	DOSER SCRAPER \varnothing 4x42 mm
13	1343069	PLASTIC TOP STAR
14	1343070	DIVIDING SHEET
15	1343071	PLASTIC MIDDLE STAR
16	1250210	STAR SPRING \varnothing 38x35 mm
17	1343072	BOTTOM STAR OF ALUMINIUM
18	1241100	ALUMINIUM ADJUSTMENT KNOB
19	1343073	TOP STAR OF ALUMINIUM
22	1324602	HANDLE SPINDLE
23	1250207	LEVER PIN SPRING \varnothing 4.5x24 mm
24	1225031	6-TEETH PAWL
25	1225034	METAL DOSER LEVER
29	1225031	6-TEETH PAWL
30	1225034	METAL DOSER LEVER
33	1252455	BUSHING FOR DOSER
35	1252457	WAVE WASHER \varnothing 25.5 mm
37	1439803	CAP LOWER \varnothing 57 mm
38	1252458	COUNTER FOR COFFEE GRINDER
41	1186953	RUBBER PIECE
42	1186955	SHAFT WASHER \varnothing 40x5x2 mm
44	1250198	DOSER LEVER RETURN SPRING LEFTHAND
44	1250208	DOSER LEVER RETURN SPRING RIGHTHAND
45	1090803	DOSER BASE K6/K8
49	1250195	COFFEE TAMPER SPRING \varnothing 15x85 mm
53	1439805	COFFEE TAMPER CAP \varnothing 52 mm
56	1090814	THREADED REINFORCEMENT
57	1385516	STANDARD COFFEE TAMPER
58	1385516	STANDARD COFFEE TAMPER
58	1439802	CAP COFFEE TAMPER \varnothing 50 mm
59	1080506	COMPLETE COFFEE HOPPER
60	1252366	COFFEE HOPPER LID
61	1080095	COFFEE HOPPER
62	1080096	COFFEE HOPPER CLOSING SHEET
65	1186797	SPONGE GASKET
71	1252462	ADJUSTMENT RING NUT
83	1251504	GRINDING BURRS PAIR COMPAK-WEGA RH
83	1251701	GRINDING BURRS PAIR COMPAK-WEGA RH
85	1528001	COUNTERSUNK FLAT HEAD SCREWS M4x10
86	1251131	GRINDING BURRS BOTTOM HOLDER
87	1186737	SPONGE GASKET
91	3319294	BLACK BIPOLAR SWITCH 16A 250V
92	1313551	SUCTION FOOT
94	1260004	COFFEE COLLECTION TRAY
95	1162016	FILTER HOLDER FORK
101	1186738	COFFEE OUTLET GASKET
103	1002511	CHROMEPLATED DOSER RING
103	1002821	DOSER RING
104	1090810	DOSER CYLINDER
106	1090802	FILTER HOLDER FORK
109	1090029	DOSER LID
110	1090030	DOSER FLAP
113	1240059	MICROSWITCH 21A 250V
116	1252102	FLAP WITH MICROSWITCH BOX
129	1186954	RETAINING GASKET
133	3186343	O-RING 02106 EPDM



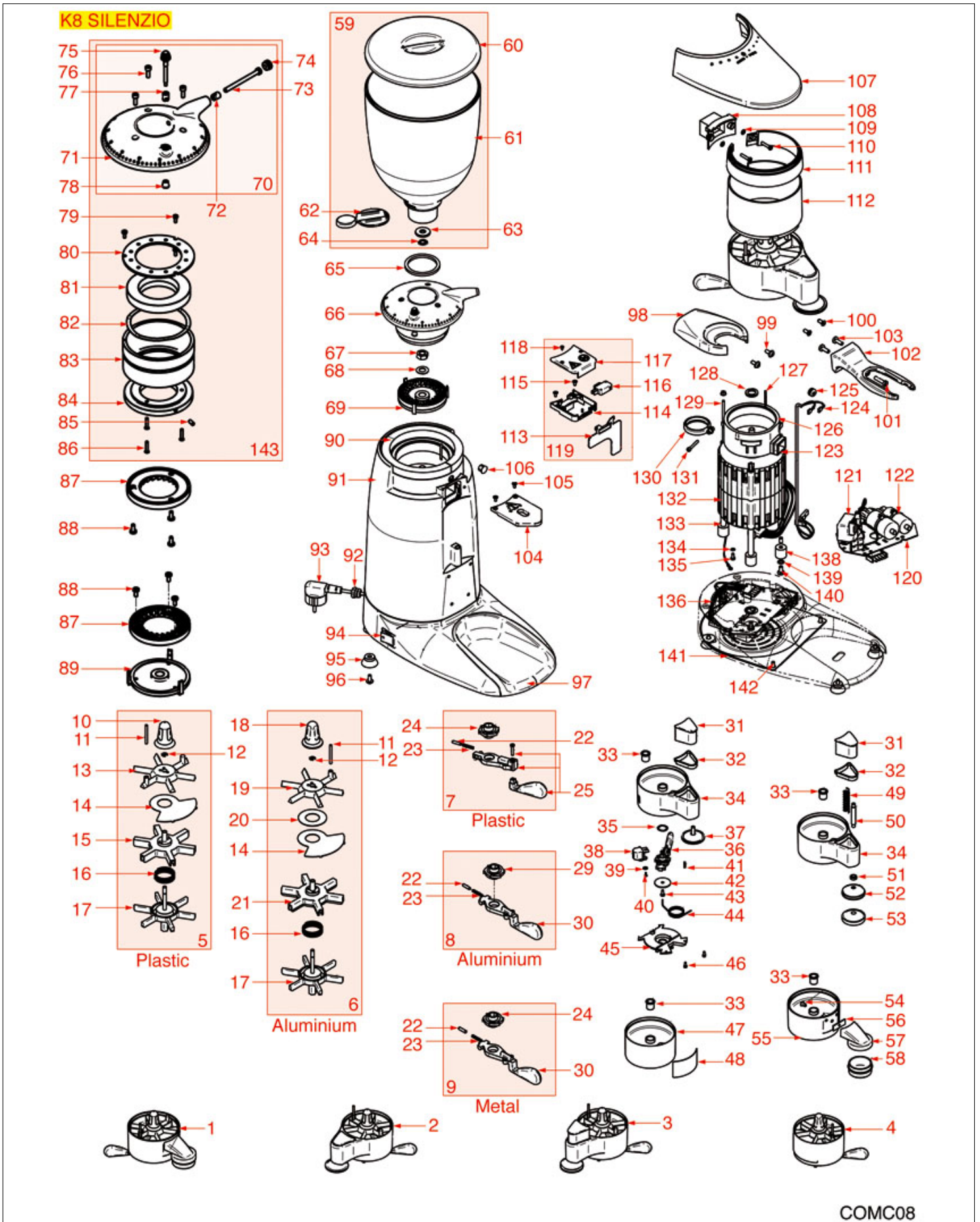
COMPAK



Position	LF code no.	Description
5	1343001	PLASTIC STAR ASSEMBLY
6	1343002	ALUMINIUM STAR ASSEMBLY
10	1241087	PLASTIC ADJUSTMENT KNOB
11	1090026	DOSER SCRAPER \varnothing 4x42 mm
13	1343069	PLASTIC TOP STAR
14	1343070	DIVIDING SHEET
15	1343071	PLASTIC MIDDLE STAR
16	1250210	STAR SPRING \varnothing 38x35 mm
17	1343072	BOTTOM STAR OF ALUMINIUM
18	1241100	ALUMINIUM ADJUSTMENT KNOB
19	1343073	TOP STAR OF ALUMINIUM
22	1324602	HANDLE SPINDLE
23	1250207	LEVER PIN SPRING \varnothing 4.5x24 mm
24	1225031	6-TEETH PAWL
25	1225034	METAL DOSER LEVER
29	1225031	6-TEETH PAWL
30	1225034	METAL DOSER LEVER
33	1252455	BUSHING FOR DOSER
35	1252457	WAVE WASHER \varnothing 25.5 mm
37	1439803	CAP LOWER \varnothing 57 mm
38	1252458	COUNTER FOR COFFEE GRINDER
41	1186953	RUBBER PIECE
42	1186955	SHAFT WASHER \varnothing 40x5x2 mm
44	1250198	DOSER LEVER RETURN SPRING LEFTHAND
44	1250208	DOSER LEVER RETURN SPRING RIGHTHAND
45	1090803	DOSER BASE K6/K8
49	1250195	COFFEE TAMPER SPRING \varnothing 15x85 mm
53	1439805	COFFEE TAMPER CAP \varnothing 52 mm
56	1090814	THREADED REINFORCEMENT
57	1385516	STANDARD COFFEE TAMPER
58	1385516	STANDARD COFFEE TAMPER
58	1439802	CAP COFFEE TAMPER \varnothing 50 mm
59	1080506	COMPLETE COFFEE HOPPER
60	1252366	COFFEE HOPPER LID
61	1080095	COFFEE HOPPER
62	1080096	COFFEE HOPPER CLOSING SHEET
70	1252462	ADJUSTMENT RING NUT
82	1251504	GRINDING BURRS PAIR COMPAK-WEGA RH
82	1251701	GRINDING BURRS PAIR COMPAK-WEGA RH
84	1528001	COUNTERSUNK FLAT HEAD SCREWS M4x10
85	1251131	GRINDING BURRS BOTTOM HOLDER
95	1313551	SUCTION FOOT
97	1260004	COFFEE COLLECTION TRAY
101	1090030	DOSER FLAP
104	1240059	MICROSWITCH 21A 250V
107	1252102	FLAP WITH MICROSWITCH BOX
111	1252461	GASKET FOR COFFEE OUTLET OPENING
113	1002511	CHROMEPLATED DOSER RING
114	1090810	DOSER CYLINDER
126	1186954	RETAINING GASKET
130	3186343	O-RING 02106 EPDM



GRINDER ASSY K8 SILENZIO-K8 SILENZIO T





COMPAK

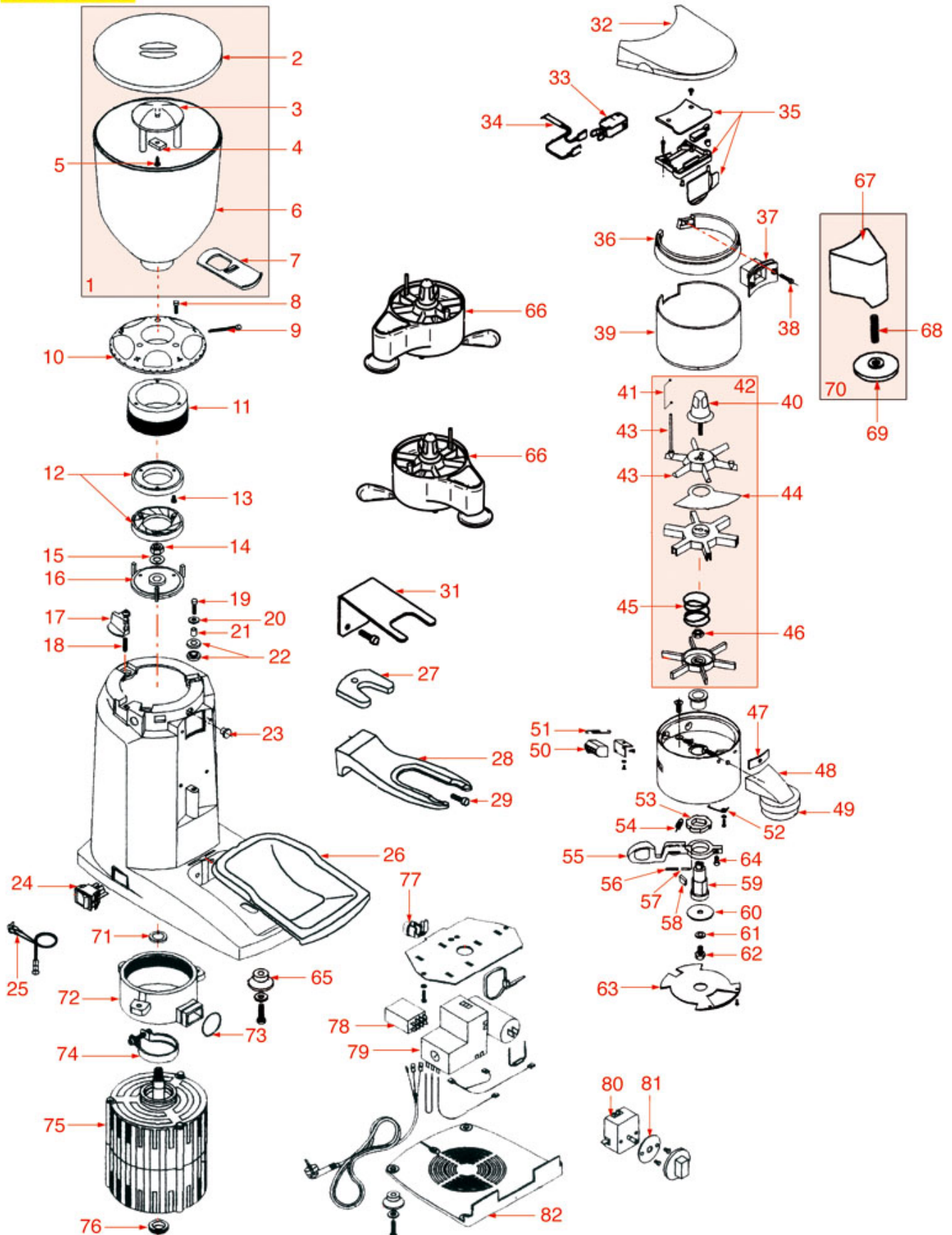


Position	LF code no.	Description
5	1343001	PLASTIC STAR ASSEMBLY
6	1343002	ALUMINIUM STAR ASSEMBLY
10	1241087	PLASTIC ADJUSTMENT KNOB
11	1090026	DOSER SCRAPER \varnothing 4x42 mm
13	1343069	PLASTIC TOP STAR
14	1343070	DIVIDING SHEET
15	1343071	PLASTIC MIDDLE STAR
16	1250210	STAR SPRING \varnothing 38x35 mm
17	1343072	BOTTOM STAR OF ALUMINIUM
18	1241100	ALUMINIUM ADJUSTMENT KNOB
19	1343073	TOP STAR OF ALUMINIUM
22	1324602	HANDLE SPINDLE
23	1250207	LEVER PIN SPRING \varnothing 4.5x24 mm
24	1225031	6-TEETH PAWL
25	1225034	METAL DOSER LEVER
29	1225031	6-TEETH PAWL
30	1225034	METAL DOSER LEVER
33	1252455	BUSHING FOR DOSER
35	1252457	WAVE WASHER \varnothing 25.5 mm
37	1439803	CAP LOWER \varnothing 57 mm
38	1252458	COUNTER FOR COFFEE GRINDER
41	1186953	RUBBER PIECE
42	1186955	SHAFT WASHER \varnothing 40x5x2 mm
44	1250198	DOSER LEVER RETURN SPRING LEFTHAND
44	1250208	DOSER LEVER RETURN SPRING RIGHTHAND
45	1090803	DOSER BASE K6/K8
49	1250195	COFFEE TAMPER SPRING \varnothing 15x85 mm
53	1439805	COFFEE TAMPER CAP \varnothing 52 mm
56	1090814	THREADED REINFORCEMENT
57	1385516	STANDARD COFFEE TAMPER
58	1385516	STANDARD COFFEE TAMPER
58	1439802	CAP COFFEE TAMPER \varnothing 50 mm
59	1080506	COMPLETE COFFEE HOPPER
60	1252366	COFFEE HOPPER LID
61	1080095	COFFEE HOPPER
62	1080096	COFFEE HOPPER CLOSING SHEET
65	1186797	SPONGE GASKET
71	1252462	ADJUSTMENT RING NUT
87	1251140	GRINDING BURRS COMPAK (PAIR) RIGHT
88	1528001	COUNTERSUNK FLAT HEAD SCREWS M4x10
89	1251141	GRINDING BURRS BOTTOM HOLDER
90	1186737	SPONGE GASKET
94	3319294	BLACK BIPOLAR SWITCH 16A 250V
95	1313551	SUCTION FOOT
97	1260004	COFFEE COLLECTION TRAY
98	1162016	FILTER HOLDER FORK
102	1090802	FILTER HOLDER FORK
107	1090029	DOSER LID
108	1186738	COFFEE OUTLET GASKET
111	1002511	CHROMEPLATED DOSER RING
111	1002821	DOSER RING
112	1090810	DOSER CYLINDER
113	1090030	DOSER FLAP
116	1240059	MICROSWITCH 21A 250V
119	1252102	FLAP WITH MICROSWITCH BOX
123	3186343	O-RING 02106 EPDM
128	1186954	RETAINING GASKET



GRINDER ASSEMBLY K5-K6-K8 OLD

K5-K6-K8 OLD





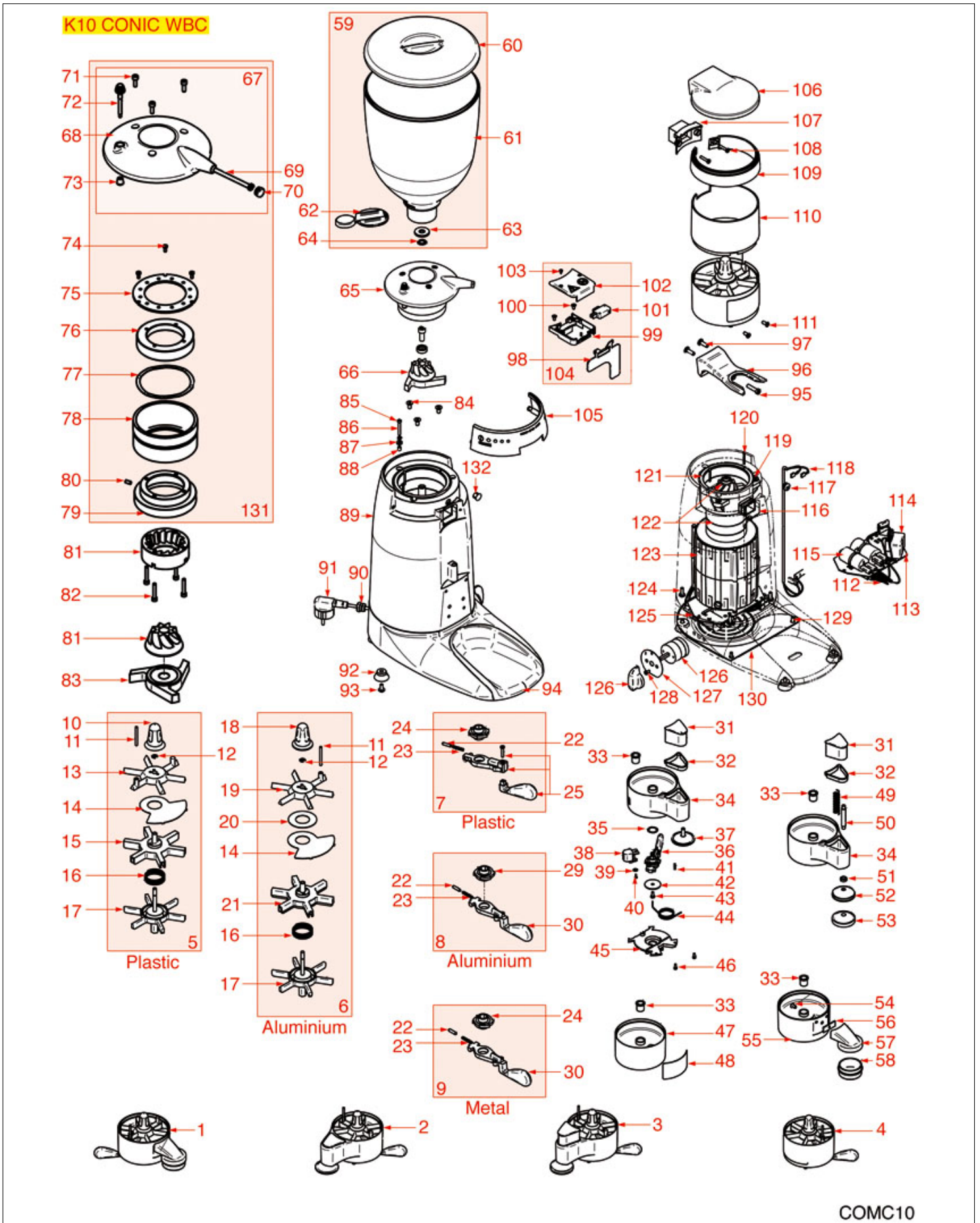
COMPAK



Pos.	LF code no.	Description	Pos.	LF code no.	Description
1	1080506	COMPLETE COFFEE HOPPER	79	3446561	CONTACTOR LOVATO BF0910A
2	1252366	COFFEE HOPPER LID	80	3446151	TIMER 5 MINUTES C20
7	1080098	COFFEE HOPPER CLOSING SHEET			
11	1251608	ADJUSTABLE BURRS HOLDER K-6			
12	1251093	GRINDING BURRS WEGA-COMPAK (PAIR) RIGHT			
12	1251501	GRINDING BURRS PAIR COMPAK RH			
12	1251504	GRINDING BURRS PAIR COMPAK-WEGA RH			
12	1251701	GRINDING BURRS PAIR COMPAK-WEGA RH			
13	3528291	CROSS HEAD FLUSH SCREW M4x8			
16	1251604	GRINDING BURRS BOTTOM HOLDER K-6			
16	1251606	LOWER BURRS HOLDER K-5			
17	1324601	HOPPER ADAPTER PIN			
22	1186952	SHOCK-ABSORBER GASKET			
24	3319035	ORANGE BIPOLAR SWITCH 16A 250V			
24	3319294	BLACK BIPOLAR SWITCH 16A 250V			
24	3319934	BIPOLAR SWITCH ORANGE 16A 250V			
26	1527811	COFFEE COLLECTION TRAY			
27	1090809	FORK PROTECTION			
27	1090812	FORK PROTECTION			
28	1090802	FILTER HOLDER FORK			
31	1162017	FILTER HOLDER FORK			
32	1439801	DISPENSER LID			
33	3240123	MICROSWITCH ROLD VRSRB1DA1			
35	1252102	FLAP WITH MICROSWITCH BOX			
36	1002511	CHROMEPLATED DOSER RING			
36	1002821	DOSER RING			
37	1252461	GASKET FOR COFFEE OUTLET OPENING			
39	1090810	DOSER CYLINDER			
40	1350801	DOSER ADJUSTMENT KNOB			
41	1250197	SCRAPER SPRING			
42	1343001	PLASTIC STAR ASSEMBLY			
42	1343002	ALUMINIUM STAR ASSEMBLY			
44	1090808	DOSER SHEET			
45	1250951	STAR SPRING			
46	1528621	HEXAGONAL NUT M8 SHORT M8			
47	1090814	THREADED REINFORCEMENT			
48	1385516	STANDARD COFFEE TAMPER			
49	1385516	STANDARD COFFEE TAMPER			
49	1439802	CAP COFFEE TAMPER ø 50 mm			
50	1252458	COUNTER FOR COFFEE GRINDER			
51	1250196	STROKE COUNTER SPRING ø 4.5 mm			
52	1250954	DOSER LEVER RETURN SPRING			
52	1250956	DOSER LEVER RETURN SPRING			
53	1090807	DOSER PAWL			
54	1250952	DOSER LEVER RETURN SPRING			
54	1250953	DOSER LEVER RETURN SPRING			
55	1242801	DOSER LEVER ABS			
55	1242802	DOSER LEVER RIGHTHAND			
56	1250955	PIN SPRING			
57	1324602	HANDLE SPINDLE			
58	1186953	RUBBER PIECE			
60	1186955	SHAFT WASHER ø 40x5x2 mm			
62	1528622	HEXAGON HEAD SCREW M8x16			
63	1090803	DOSER BASE K6/K8			
63	1090811	DOSER BASE K5			
64	1252463	DOSER LEVER CAP			
65	1313551	SUCTION FOOT			
66	1090507	CHROMIUM-PLATED COFFEE DOSER RH			
68	1324606	TAMPER PIN			
69	1439803	CAP LOWER ø 57 mm			
69	1439805	COFFEE TAMPER CAP ø 52 mm			
71	1186954	RETAINING GASKET			
72	1090801	DOSER CONTAINER K6-K8			
73	3186343	O-RING 02106 EPDM			
74	1168011	STAINLESS STEEL CLAMP FOR FLANGE PUMP			
78	3351007	POWER RELAY FINDER 55.32.8.230.0040			



GRINDER ASSEMBLY K10 CONIC WBC





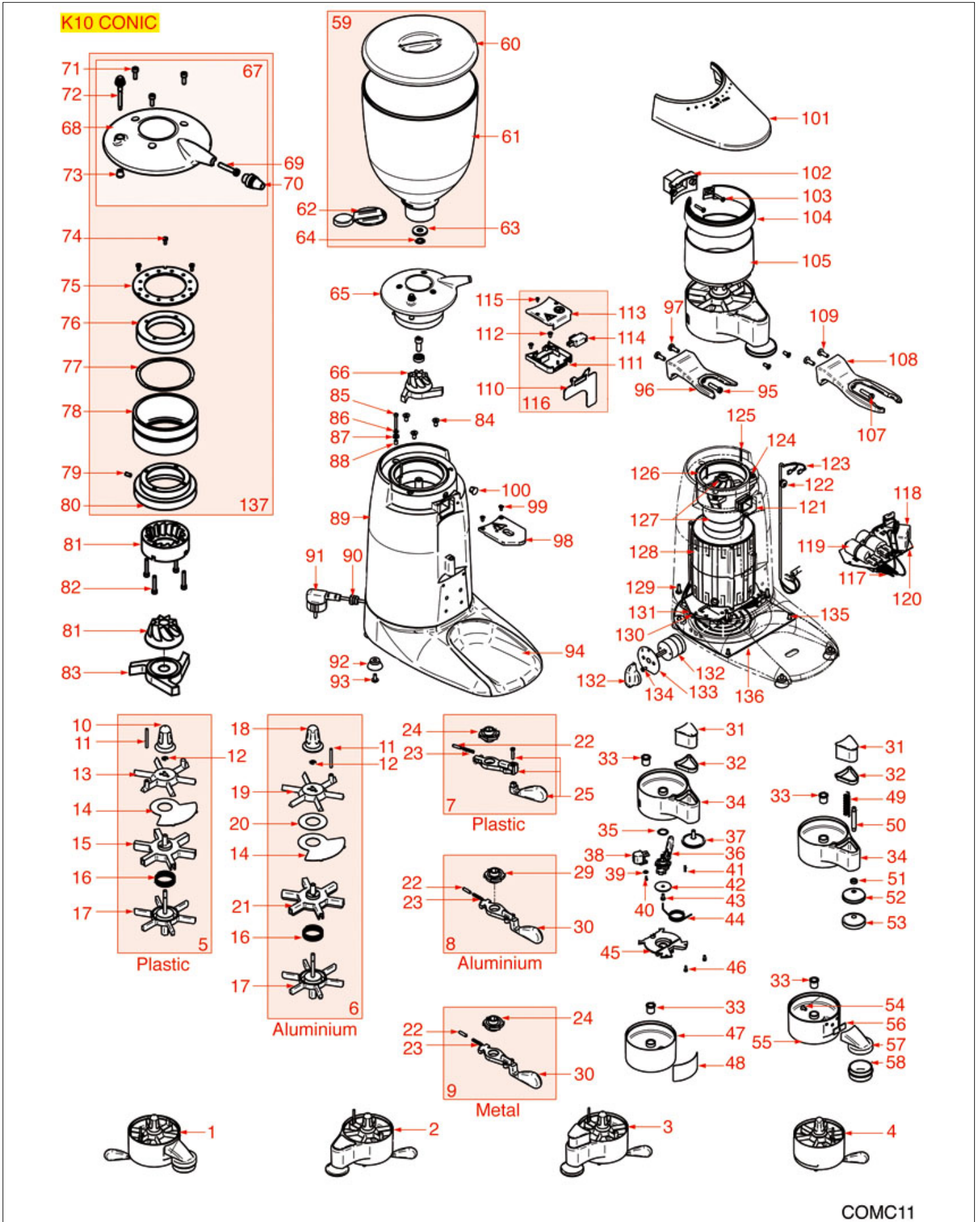
COMPAK



Position	LF code no.	Description
5	1343001	PLASTIC STAR ASSEMBLY
6	1343002	ALUMINIUM STAR ASSEMBLY
10	1241087	PLASTIC ADJUSTMENT KNOB
11	1090026	DOSER SCRAPER \varnothing 4x42 mm
13	1343069	PLASTIC TOP STAR
14	1343070	DIVIDING SHEET
15	1343071	PLASTIC MIDDLE STAR
16	1250210	STAR SPRING \varnothing 38x35 mm
17	1343072	BOTTOM STAR OF ALUMINIUM
18	1241100	ALUMINIUM ADJUSTMENT KNOB
19	1343073	TOP STAR OF ALUMINIUM
22	1324602	HANDLE SPINDLE
23	1250207	LEVER PIN SPRING \varnothing 4.5x24 mm
24	1225031	6-TEETH PAWL
25	1225034	METAL DOSER LEVER
29	1225031	6-TEETH PAWL
30	1225034	METAL DOSER LEVER
33	1252455	BUSHING FOR DOSER
35	1252457	WAVE WASHER \varnothing 25.5 mm
37	1439803	CAP LOWER \varnothing 57 mm
38	1252458	COUNTER FOR COFFEE GRINDER
41	1186953	RUBBER PIECE
42	1186955	SHAFT WASHER \varnothing 40x5x2 mm
44	1250198	DOSER LEVER RETURN SPRING LEFTHAND
44	1250208	DOSER LEVER RETURN SPRING RIGHTHAND
45	1090803	DOSER BASE K6/K8
49	1250195	COFFEE TAMPER SPRING \varnothing 15x85 mm
53	1439805	COFFEE TAMPER CAP \varnothing 52 mm
56	1090814	THREADED REINFORCEMENT
57	1385516	STANDARD COFFEE TAMPER
58	1385516	STANDARD COFFEE TAMPER
58	1439802	CAP COFFEE TAMPER \varnothing 50 mm
59	1080506	COMPLETE COFFEE HOPPER
60	1252366	COFFEE HOPPER LID
61	1080095	COFFEE HOPPER
62	1080096	COFFEE HOPPER CLOSING SHEET
81	1251142	CONICAL GRINDING BURRS COMPAK (PAIR) RH
82	1528051	CYLINDER HEAD SCREW M4x20
83	1251149	GRINDING BURRS BOTTOM HOLDER
92	1313551	SUCTION FOOT
94	1260004	COFFEE COLLECTION TRAY
98	1090030	DOSER FLAP
101	1240059	MICROSWITCH 21A 250V
104	1252102	FLAP WITH MICROSWITCH BOX
107	1252461	GASKET FOR COFFEE OUTLET OPENING
109	1002511	CHROMEPLATED DOSER RING
110	1090810	DOSER CYLINDER
116	3186343	O-RING 02106 EPDM



GRINDER ASSEMBLY K10 CONIC-K10 CONIC T





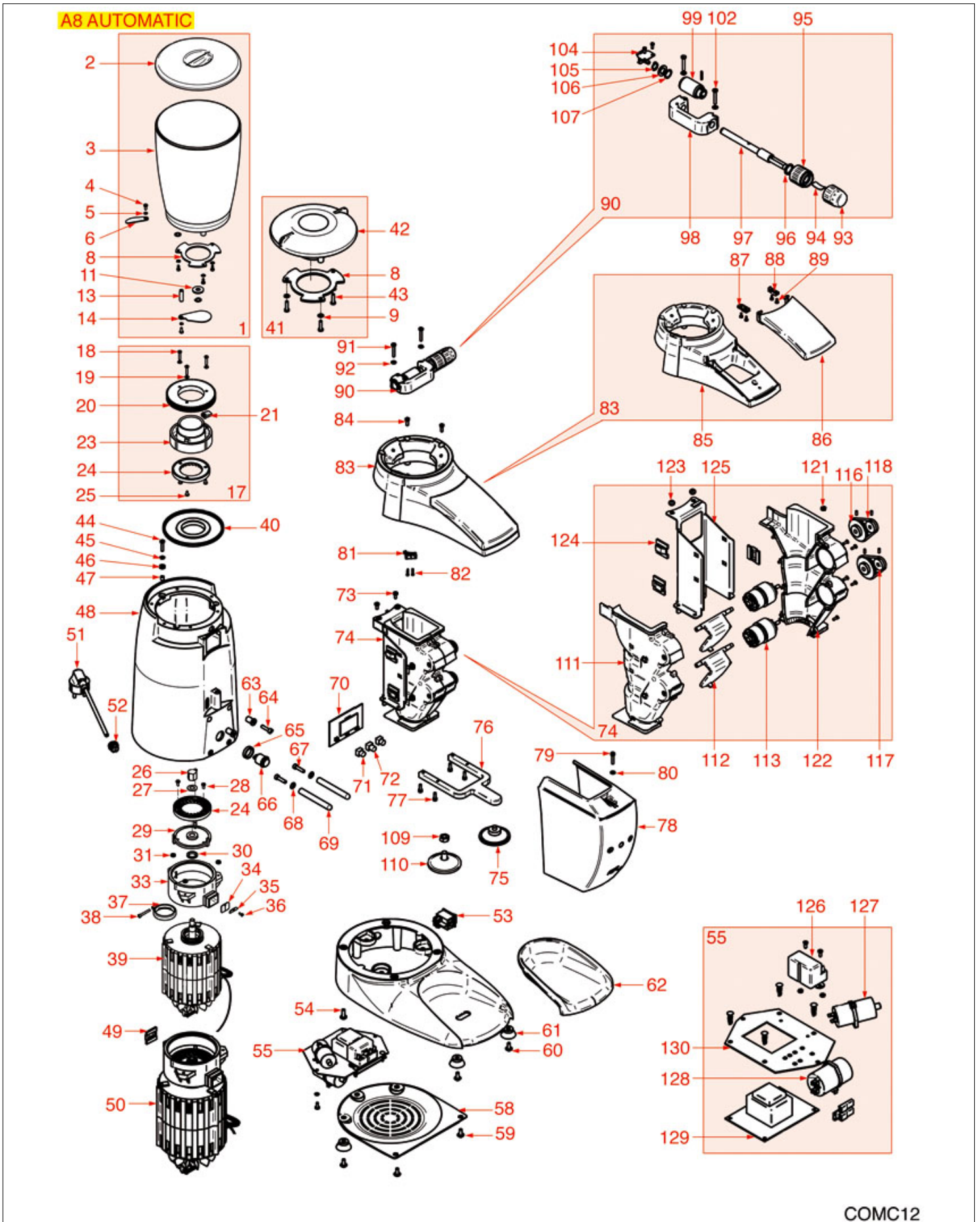
COMPAK



Position	LF code no.	Description
5	1343001	PLASTIC STAR ASSEMBLY
6	1343002	ALUMINIUM STAR ASSEMBLY
10	1241087	PLASTIC ADJUSTMENT KNOB
11	1090026	DOSER SCRAPER \varnothing 4x42 mm
13	1343069	PLASTIC TOP STAR
14	1343070	DIVIDING SHEET
15	1343071	PLASTIC MIDDLE STAR
16	1250210	STAR SPRING \varnothing 38x35 mm
17	1343072	BOTTOM STAR OF ALUMINIUM
18	1241100	ALUMINIUM ADJUSTMENT KNOB
19	1343073	TOP STAR OF ALUMINIUM
22	1324602	HANDLE SPINDLE
23	1250207	LEVER PIN SPRING \varnothing 4.5x24 mm
24	1225031	6-TEETH PAWL
25	1225034	METAL DOSER LEVER
29	1225031	6-TEETH PAWL
30	1225034	METAL DOSER LEVER
33	1252455	BUSHING FOR DOSER
35	1252457	WAVE WASHER \varnothing 25.5 mm
37	1439803	CAP LOWER \varnothing 57 mm
38	1252458	COUNTER FOR COFFEE GRINDER
41	1186953	RUBBER PIECE
42	1186955	SHAFT WASHER \varnothing 40x5x2 mm
44	1250198	DOSER LEVER RETURN SPRING LEFTHAND
44	1250208	DOSER LEVER RETURN SPRING RIGHTHAND
45	1090803	DOSER BASE K6/K8
49	1250195	COFFEE TAMPER SPRING \varnothing 15x85 mm
53	1439805	COFFEE TAMPER CAP \varnothing 52 mm
56	1090814	THREADED REINFORCEMENT
57	1385516	STANDARD COFFEE TAMPER
58	1385516	STANDARD COFFEE TAMPER
58	1439802	CAP COFFEE TAMPER \varnothing 50 mm
60	1252366	COFFEE HOPPER LID
61	1080095	COFFEE HOPPER
62	1080096	COFFEE HOPPER CLOSING SHEET
81	1251142	CONICAL GRINDING BURRS COMPAK (PAIR) RH
82	1528051	CYLINDER HEAD SCREW M4x20
83	1251149	GRINDING BURRS BOTTOM HOLDER
92	1313551	SUCTION FOOT
94	1260004	COFFEE COLLECTION TRAY
101	1090029	DOSER LID
102	1252461	GASKET FOR COFFEE OUTLET OPENING
104	1002511	CHROMEPLATED DOSER RING
105	1090810	DOSER CYLINDER
108	1090802	FILTER HOLDER FORK
110	1090030	DOSER FLAP
114	1240059	MICROSWITCH 21A 250V
116	1252102	FLAP WITH MICROSWITCH BOX
121	3186343	O-RING 02106 EPDM



COFFEE GRINDER A8 AUTOMATIC





COMPAK

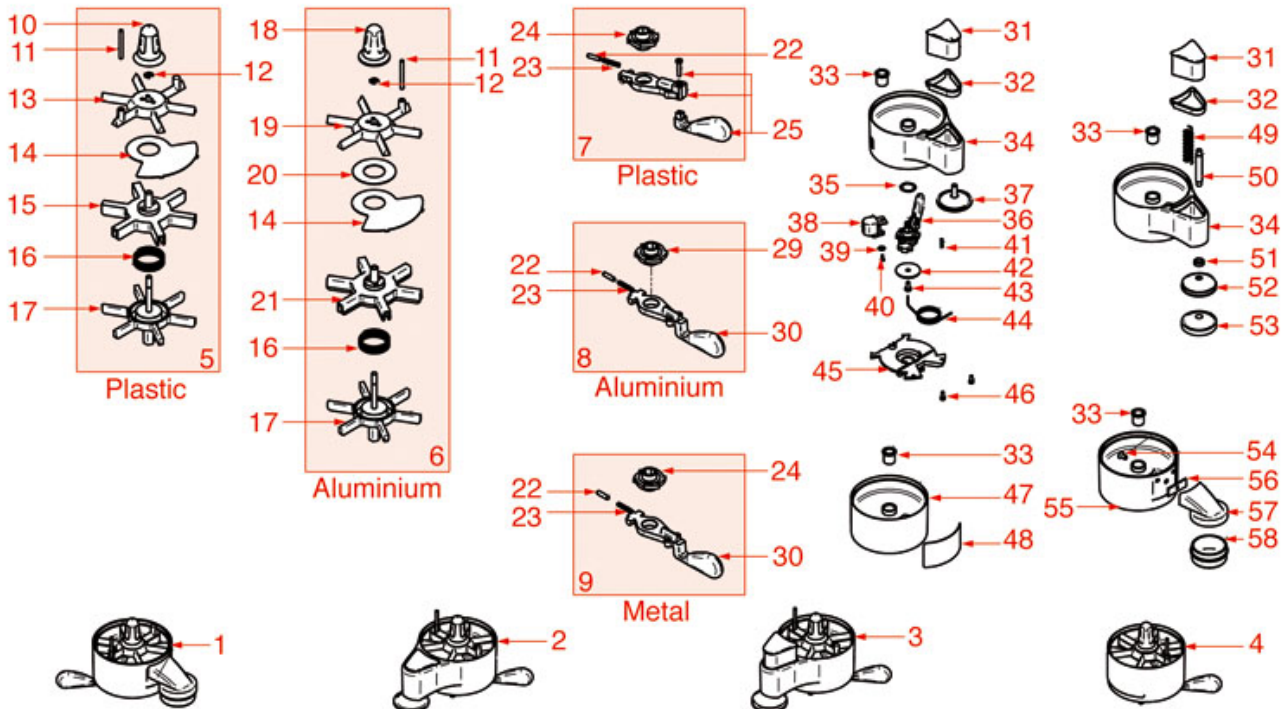
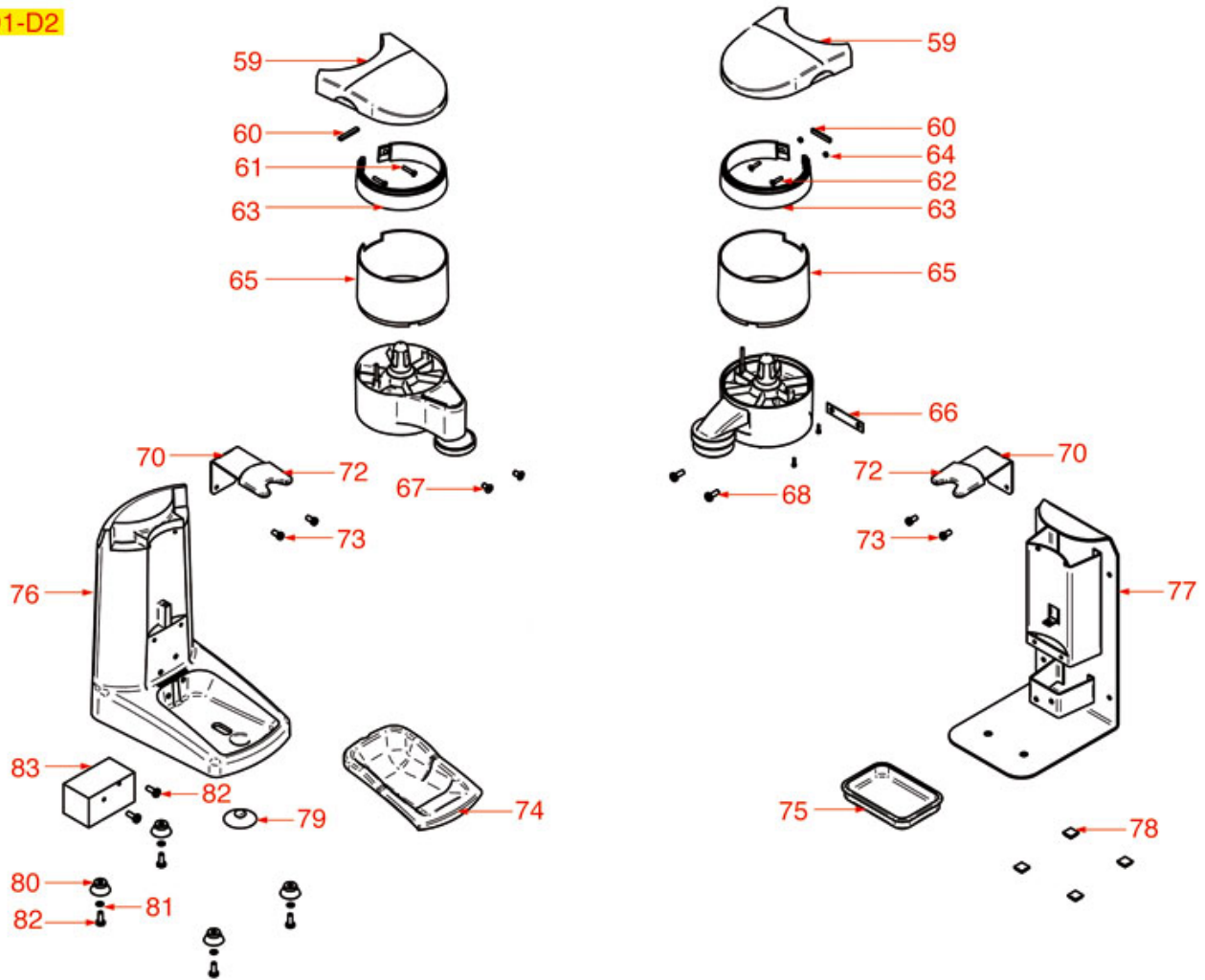


Position	LF code no.	Description
2	1252366	COFFEE HOPPER LID
4	1528001	COUNTERSUNK FLAT HEAD SCREWS M4x10
16	1528001	COUNTERSUNK FLAT HEAD SCREWS M4x10
24	1251140	GRINDING BURRS COMPAK (PAIR) RIGHT
28	1528001	COUNTERSUNK FLAT HEAD SCREWS M4x10
29	1251141	GRINDING BURRS BOTTOM HOLDER
30	1186954	RETAINING GASKET
53	3319294	BLACK BIPOLAR SWITCH 16A 250V
57	1528001	COUNTERSUNK FLAT HEAD SCREWS M4x10
61	1313551	SUCTION FOOT
62	1260004	COFFEE COLLECTION TRAY



DOSING COMPARTMENT D1-D2

D1-D2





COMPAK



Position	LF code no.	Description
5	1343001	PLASTIC STAR ASSEMBLY
6	1343002	ALUMINIUM STAR ASSEMBLY
10	1241087	PLASTIC ADJUSTMENT KNOB
11	1090026	DOSER SCRAPER \varnothing 4x42 mm
13	1343069	PLASTIC TOP STAR
14	1343070	DIVIDING SHEET
15	1343071	PLASTIC MIDDLE STAR
16	1250210	STAR SPRING \varnothing 38x35 mm
17	1343072	BOTTOM STAR OF ALUMINIUM
18	1241100	ALUMINIUM ADJUSTMENT KNOB
19	1343073	TOP STAR OF ALUMINIUM
22	1324602	HANDLE SPINDLE
23	1250207	LEVER PIN SPRING \varnothing 4.5x24 mm
24	1225031	6-TEETH PAWL
25	1225034	METAL DOSER LEVER
29	1225031	6-TEETH PAWL
30	1225034	METAL DOSER LEVER
33	1252455	BUSHING FOR DOSER
35	1252457	WAVE WASHER \varnothing 25.5 mm
37	1439803	CAP LOWER \varnothing 57 mm
38	1252458	COUNTER FOR COFFEE GRINDER
41	1186953	RUBBER PIECE
42	1186955	SHAFT WASHER \varnothing 40x5x2 mm
44	1250198	DOSER LEVER RETURN SPRING LEFTHAND
44	1250208	DOSER LEVER RETURN SPRING RIGHTHAND
45	1090803	DOSER BASE K6/K8
49	1250195	COFFEE TAMPER SPRING \varnothing 15x85 mm
53	1439805	COFFEE TAMPER CAP \varnothing 52 mm
56	1090814	THREADED REINFORCEMENT
57	1385516	STANDARD COFFEE TAMPER
58	1385516	STANDARD COFFEE TAMPER
58	1439802	CAP COFFEE TAMPER \varnothing 50 mm
59	1439801	DISPENSER LID
63	1002821	DOSER RING
65	1090810	DOSER CYLINDER
70	1162017	FILTER HOLDER FORK
72	1090809	FORK PROTECTION
72	1090812	FORK PROTECTION
74	1527811	COFFEE COLLECTION TRAY
79	1313551	SUCTION FOOT



Suitable for:

COMPAK



Suitable for:

Adjustement rings for coffee grinder

1252459 ADJUSTMENT RING NUT
for Coffee grinder (COMPAK) K3PUSH - K3SHOP
K3TOUCH
for Grinder-dispenser (COMPAK) K3 - K3ELITE



COMPAK K.2064

1252462 ADJUSTMENT RING NUT
for Grinder-dispenser (COMPAK)
K6BARISTAPROFESSIONAL - K6SILENZIO
K6SILENZIOT - K8SILENZIO - K8SILENZIOT



COMPAK K.1108

Capacitors, electrical

3068016 CAPACITOR DUCATI ENERGIA 10µF
450V 50/60Hz
operating temperature -25 + 85°C
lead connector 6.35x0.8 mm
ø 36xh58 mm



COMPAK K..210

3068010 CAPACITOR DUCATI ENERGIA 6,3µF
450V 50/60Hz
operating temperature -25 + 85°C
lead connection 6.35x0.8 mm
ø 32xh55 mm



COMPAK K..409

3068080 CAPACITOR ELECTRICAL 10µF
450V 50/60Hz - ø 30xh71 mm



COMPAK K..210

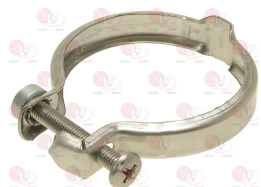
3068097 CAPACITOR ELECTRICAL 6.3µF
450V 50/60Hz - ø 30xh51 mm



COMPAK K..409

Clamps

1168011 STAINLESS STEEL CLAMP FOR FLANGE PUMP



COMPAK



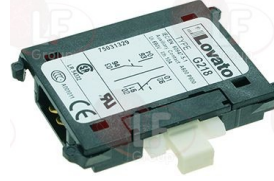
Contactors

3446561 CONTACTOR LOVATO BF0910A
 coil 9A 230V 50/60Hz 4.2Kw
 3 normally open contacts
 1 normally open auxiliary contact



COMPAK K.209

3446227 AUXILIARY CONTACT LOVATO G218
 10A
 1 contact NO
 1 contact NC



Containers for coffee

1080094 COFFEE HOPPER
 for Grinder-dispenser (COMPAK) K3



COMPAK K.2028

1080095 COFFEE HOPPER
 for Grinder-dispenser (COMPAK) K10 - K5 - K6 - K8



COMPAK K...3

1080096 COFFEE HOPPER CLOSING SHEET



COMPAK K.827

1080098 COFFEE HOPPER CLOSING SHEET



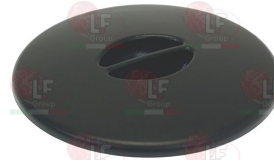
COMPAK K...5

1252366 COFFEE HOPPER LID
 for Coffee grinder (COMPAK) A8
 for Grinder-dispenser (COMPAK) K10 - K5 - K6 - K8



COMPAK K...4

1080097 COFFEE HOPPER LID ø 163 mm
 for Grinder-dispenser (COMPAK) K3



COMPAK K.2027

1080506 COMPLETE COFFEE HOPPER
 for Grinder-dispenser (COMPAK) K10 - K5 - K6 - K8



COMPAK K.286

COMPAK K01358



Suitable for:

COMPAK



Suitable for:

Counters

1252458 COUNTER FOR COFFEE GRINDER



COMPAK K..56

COMPAK K..678

Dosers for coffee

1252455 BUSHING FOR DOSER internal ø 14 mm - height 20 mm



COMPAK K.1091

1002511 CHROMEPLATED DOSER RING for Grinder-dispenser (COMPAK) K10 - K3 - K5 - K6 K8



COMPAK K..221

1090507 CHROMIUM-PLATED COFFEE DOSER RH



COMPAK K.162

1439801 DISPENSER LID



COMPAK K..26

COMPAK K..306

1090811 DOSER BASE K5



COMPAK K..307

1090803 DOSER BASE K6/K8



COMPAK K..51

COMPAK K..504

1090810 DOSER CYLINDER for Grinder-dispenser (COMPAK) D1 - D2 - K10 - K5 K6 - K8



COMPAK K..30

1090025 DOSER CYLINDER ø 125x60 mm for Grinder-dispenser (COMPAK) K3



COMPAK K.2052



Suitable for:

1090027 DOSER LID
for Grinder-dispenser (COMPAK) K3



COMPAK K.2053

Suitable for:

1090029 DOSER LID
for Grinder-dispenser (COMPAK) K10 - K5 - K6



COMPAK K.804

1002821 DOSER RING
for Grinder-dispenser (COMPAK) D1 - D2 - K3 - K5
K6 - K8



COMPAK K.242

1090026 DOSER SCRAPER ø 4x42 mm



COMPAK K.2076

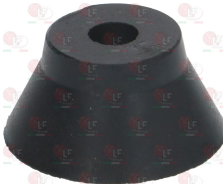
1090814 THREADED REINFORCEMENT



COMPAK K..64

Feet

1313551 SUCTION FOOT



COMPAK K..22

Forks for portafilter coffee grinder

1090802 FILTER HOLDER FORK
for Grinder-dispenser (COMPAK) K10 - K5 - K6 - K8



COMPAK K..15

1162016 FILTER HOLDER FORK
for Grinder-dispenser (COMPAK) K3 - K5 - K6 - K8



COMPAK K.815



Suitable for:

COMPAK



1162017 FILTER HOLDER FORK
for Grinder-dispenser (COMPAK) D1 - D2



COMPAK K.352

Suitable for:
1090809 FORK PROTECTION
for Grinder-dispenser (COMPAK) D1 - D2



COMPAK K.460

1090812 FORK PROTECTION
for Grinder-dispenser (COMPAK) D1 - D2



COMPAK K.353

Gaskets and seals

1186738 COFFEE OUTLET GASKET



COMPAK K.635

1186740 COFFEE OUTLET GASKET



COMPAK K.2082

1252461 GASKET FOR COFFEE OUTLET OPENING



COMPAK K...8

1186954 RETAINING GASKET



COMPAK K.101

1186953 RUBBER PIECE



COMPAK K..48

1186955 SHAFT WASHER \varnothing 40x5x2 mm



COMPAK K..55

COMPAK K.653

1186952 SHOCK-ABSORBER GASKET



COMPAK K..19

1186737 SPONGE GASKET
cross-section 15x14 mm - length 370 mm



COMPAK K.702

1186797 SPONGE GASKET



COMPAK K.570

Grinders

1251142 CONICAL GRINDING BURRS COMPAK (PAIR) RH

external \varnothing 68/49 mm - internal \varnothing 41/13 mm
thickness 25 mm - 4 mounting holes
for Grinder-dispenser (COMPAK) K10



COMPAK K.3068

1251137 GRINDING BURRS COMPAK (PAIR) RH

external \varnothing 54 mm - internal \varnothing 32 mm
thickness 8.5 mm - 3 mounting holes
for Grinder-dispenser (COMPAK) K3



COMPAK K.2054

1251138 GRINDING BURRS COMPAK (PAIR) RH

external \varnothing 58 mm - internal \varnothing 33 mm
thickness 8.5 mm - 3 mounting holes
for Grinder-dispenser (COMPAK) K3



COMPAK K.2058

1251503 GRINDING BURRS COMPAK (PAIR) RH

\varnothing internal 43 mm - \varnothing external 75 mm
thickness 10.5 mm - 3 mounting holes
for Grinder-dispenser (COMPAK) K7



COMPAK K..98

1251140 GRINDING BURRS COMPAK (PAIR) RIGHT

external \varnothing 82.5 mm - internal \varnothing 49 mm
thickness 9.5 mm - 3 mounting holes
for Coffee grinder (COMPAK) A8
for Grinder-dispenser (COMPAK) K8



COMPAK K.812

1251501 GRINDING BURRS PAIR COMPAK RH

external \varnothing 60 mm - internal \varnothing 36 mm
thickness 8 mm - 3 fixing holes
for Grinder-dispenser (COMPAK) K5



COMPAK



Suitable for:

COMPAK



Suitable for:

1251504 GRINDING BURRS PAIR COMPAK-WEGA RH
external \varnothing 63.5 mm - internal \varnothing 38 mm
thickness 9 mm - 3 mounting holes
for Grinder-dispenser (COMPAK) K5 - K6



COMPAK K...99

1251701 GRINDING BURRS PAIR COMPAK-WEGA RH
GRIND BURRS "HEAVY DUTY" +70% longer life cycle
compared to a standard grinding burr
they do not deform
less contamination of ground coffee
external \varnothing 63 mm - internal \varnothing 38 mm
thickness 9 mm - 3 fixing holes



COMPAK

1251092 GRINDING BURRS WEGA-COMPAK (PAIR) RIGHT
 \varnothing external 63 mm - \varnothing internal 38 mm
thickness 9 mm - 3 fixing holes



COMPAK

1251093 GRINDING BURRS WEGA-COMPAK (PAIR) RIGHT
 \varnothing external 80 mm - \varnothing internal 41 mm
thickness 10 mm - 3 fixing holes
for Grinder-dispenser (COMPAK) K8



COMPAK K..247

Grinding burr holders

1251608 ADJUSTABLE BURRS HOLDER K-6



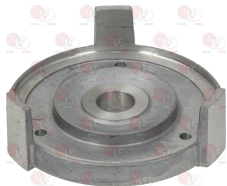
COMPAK K...11

1090801 DOSER CONTAINER K6-K8



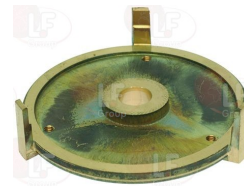
COMPAK K...9

1251131 GRINDING BURRS BOTTOM HOLDER
for Grinder-dispenser (COMPAK) K5 - K6



COMPAK K.1144

1251141 GRINDING BURRS BOTTOM HOLDER
for Coffee grinder (COMPAK) A8
for Grinder-dispenser (COMPAK) K8



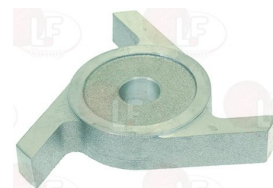
COMPAK K.3051

1251147 GRINDING BURRS BOTTOM HOLDER
for Grinder-dispenser (COMPAK) K5



COMPAK K.1145

1251149 GRINDING BURRS BOTTOM HOLDER
for Grinder-dispenser (COMPAK) K10



COMPAK K.3014



Suitable for:

1251604 GRINDING BURRS BOTTOM HOLDER K-6



COMPAK K..14

Suitable for:

1251136 GRINDING BURRS TOP HOLDER



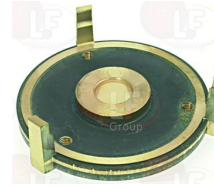
COMPAK K.1210

1251148 GRINDING BURRS TOP HOLDER
for Grinder-dispenser (COMPAK) K3



COMPAK K.2170

1251606 LOWER BURRS HOLDER K-5



COMPAK K..251

Ironmongery (screws,nuts,washers)

1528001 COUNTERSUNK FLAT HEAD SCREWS M4x10
slotted - stainless steel
UNI 6109 - DIN 963 - ISO 2009



COMPAK K.2150

3528291 CROSS HEAD FLUSH SCREW M4x8
cross-shaped - st./steel
UNI 7688 -DIN 965 - ISO 7046



COMPAK K..72

1528051 CYLINDER HEAD SCREW M4x20
stainless steel - with hexagon socket
UNI 5931 - DIN 912 - ISO 4762



COMPAK K..77

1252463 DOSER LEVER CAP



COMPAK K..119

1528622 HEXAGON HEAD SCREW M8x16
stainless steel - UNI 5739 - DIN 933 - ISO 4017



COMPAK K..89

1528621 HEXAGONAL NUT M8 SHORT M8
stainless steel - UNI 5589 - DIN 936 - ISO 4035



COMPAK K..93



Suitable for:

COMPAK



Suitable for:

1252457 WAVE WASHER \varnothing 25.5 mm



COMPAK K.1093

Knobs

1241100 ALUMINIUM ADJUSTMENT KNOB



COMPAK K.1096

1350801 DOSER ADJUSTMENT KNOB



COMPAK K..44

1241087 PLASTIC ADJUSTMENT KNOB



COMPAK K.1094

Levers

1242801 DOSER LEVER ABS



COMPAK K.161

COMPAK K.240

1242802 DOSER LEVER RIGHTHAND



COMPAK K..47

1225034 METAL DOSER LEVER



COMPAK K.646

COMPAK K.829

Microswitches, mechanical

1090030 DOSER FLAP



COMPAK K.730

1240067 DOSER FLAP



COMPAK K.1235



COMPAK



Suitable for:

1252102 FLAP WITH MICROSWITCH BOX
complete with microswitch 21A 250V



COMPAK K..322

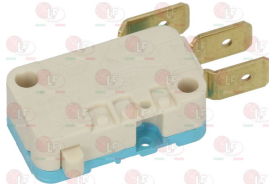
Suitable for:

1240068 MICRO BOX ASSY



COMPAK K.2732

3240123 MICROSWITCH ROLD VRSRB1DA1
16A 250V



COMPAK K...18

1240069 MICROSWITCH 0.1A 250V



COMPAK K.2093

1240070 MICROSWITCH 10A 250V



COMPAK K.2505

1240059 MICROSWITCH 21A 250V



COMPAK K..733

O-Ring and ORM gaskets

3186343 O-RING 02106 EPDM



COMPAK K..103

Pawls for coffee grinder dosers

1090807 DOSER PAWL



COMPAK K..49

1225031 6-TEETH PAWL



COMPAK K..648

COMPAK K.648R



Suitable for:

COMPAK



Suitable for:

Pins

1324602 HANDLE SPINDLE



COMPAK K..90

1324601 HOPPER ADAPTER PIN



COMPAK K..20

1324606 TAMPER PIN



COMPAK K..368

Relays

3351007 POWER RELAY FINDER 55.32.8.230.0040
230V 50/60Hz
2 exchange contacts 10A
with to test push-button + mechanic gauge



COMPAK K..131

Springs

1250195 COFFEE TAMPER SPRING \varnothing 15x85 mm



COMPAK K..509

1250952 DOSER LEVER RETURN SPRING



COMPAK K..60

1250953 DOSER LEVER RETURN SPRING



COMPAK K..328

1250954 DOSER LEVER RETURN SPRING



COMPAK K..228

Suitable for:

1250956 DOSER LEVER RETURN SPRING



COMPAK K..59

Suitable for:

1250198 DOSER LEVER RETURN SPRING LEFTHAND



COMPAK K..619

1250208 DOSER LEVER RETURN SPRING RIGHTHAND



COMPAK K..618

1250207 LEVER PIN SPRING \varnothing 4.5x24 mm



COMPAK K..662

1250955 PIN SPRING



COMPAK K..63

1250197 SCRAPER SPRING



COMPAK K..363

1250951 STAR SPRING



COMPAK K..62

1250210 STAR SPRING \varnothing 38x35 mm



COMPAK K.1092

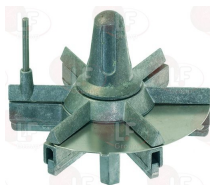
1250196 STROKE COUNTER SPRING \varnothing 4.5 mm



COMPAK K..169

Stars and spare parts

1343002 ALUMINIUM STAR ASSEMBLY



COMPAK K..466

COMPAK K..704

COMPAK K.1110

1343072 BOTTOM STAR OF ALUMINIUM



COMPAK K.1084



Suitable for:

COMPAK



1343070 DIVIDING SHEET



COMPAK K.719

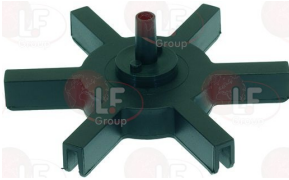
Suitable for:

1090808 DOSER SHEET



COMPAK K..57

1343071 PLASTIC MIDDLE STAR



COMPAK K.1085

1343001 PLASTIC STAR ASSEMBLY



COMPAK K..465

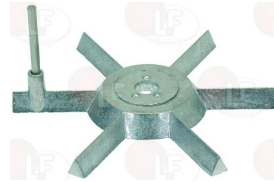
COMPAK K.1109

1343069 PLASTIC TOP STAR



COMPAK K.1086

1343073 TOP STAR OF ALUMINIUM



COMPAK K.1082

Switches

3319934 BIPOLAR SWITCH ORANGE 16A 250V
16(4)A 250V - max. temperature 120°C
with indicator lamp - silk screen printing 0 - I
mounting hole 22x30 mm



COMPAK

3319780 BLOCK CONNECTION WHITE 22x30 mm



3319779 BLOCK CONNECTIONS BLACK 22x30 mm



3319782 FRAME SAFETY 2 SIDES BLACK 22x30 mm



3319783 FRAME SAFETY 4 SIDES BLACK 22x30 mm



3319501 PUSH-BUTTON PROTECTION CAP
external dimensions 29x36 mm
for switches with mounting hole 22x30 mm





3319019 BIPOLAR SWITCH RED 16A 250V
 16(4)A 250V - max. temperature 120°C
 with indicator lamp - mounting hole 22x30 mm



COMPAK

3319779 BLOCK CONNECTIONS BLACK 22x30 mm



3319783 FRAME SAFETY 4 SIDES BLACK 22x30 mm



3319294 BLACK BIPOLAR SWITCH 16A 250V
 16(4)A 250V - with red led indicator light
 mounting hole 22x30 mm



COMPAK K..69

3319035 ORANGE BIPOLAR SWITCH 16A 250V
 16(4)A 250V - with indicator lamp
 max temperature 120°C
 mounting hole 22x30 mm



COMPAK

3319779 BLOCK CONNECTIONS BLACK 22x30 mm



Suitable for:

3319780 BLOCK CONNECTION WHITE 22x30 mm



3319782 FRAME SAFETY 2 SIDES BLACK 22x30 mm



3319501 PUSH-BUTTON PROTECTION CAP
 external dimensions 29x36 mm
 for switches with mounting hole 22x30 mm



3319501 PUSH-BUTTON PROTECTION CAP
 external dimensions 29x36 mm
 for switches with mounting hole 22x30 mm



3319780 BLOCK CONNECTION WHITE 22x30 mm



3319782 FRAME SAFETY 2 SIDES BLACK 22x30 mm





Suitable for:

3319783 FRAME SAFETY 4 SIDES BLACK 22x30 mm



COMPAK



Suitable for:

3319501 PUSH-BUTTON PROTECTION CAP
external dimensions 29x36 mm
for switches with mounting hole 22x30 mm



1319231 SWITCH BLACK SINGLE-POLE 10A 250V
10(2)A 250V - mounting hole \varnothing 20 mm
with 3 contacts -silk-screen printing 1-0-2



3319787 PUSH-BUTTON COVER FOR PROTECTION
 \varnothing external 28 mm
for \varnothing 20 mm mounting hole buttons



COMPAK K.2015

1319232 SWITCH BLACK SINGLE-POLE 10A 250V
10(2)A 250V - mounting hole 20 mm
silk-screen printing 0-1



3319787 PUSH-BUTTON COVER FOR PROTECTION
 \varnothing external 28 mm
for \varnothing 20 mm mounting hole buttons



COMPAK K.2014

1319233 SWITCH BLACK SINGLE-POLE 10A 250V
10(2)A 250V - mounting hole 20 mm
with orange led indicator lamp
for Grinder-dispenser (COMPAK) K3ELITE



3319787 PUSH-BUTTON COVER FOR PROTECTION
 \varnothing external 28 mm
for \varnothing 20 mm mounting hole buttons



COMPAK K.2013

Tampers for coffee

1439802 CAP COFFEE TAMPER \varnothing 50 mm



1439803 CAP LOWER \varnothing 57 mm



COMPAK K.160

COMPAK K.166



COMPAK



Suitable for:

Suitable for:

1439805 COFFEE TAMPER CAP ø 52 mm

1385516 STANDARD COFFEE TAMPER



COMPAK K...38

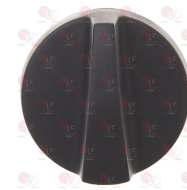
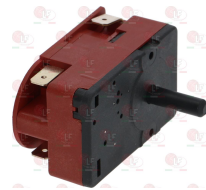
COMPAK K...39

COMPAK K...40

Timers

3446151 TIMER 5 MINUTES C20
manually set mechanical timer
manually set cycle 5 minutes
2 poles with contact capacity 16(3)A 250V
max temperature 125°C
D-shaped pin ø 6x4.6 mm

3241161 BLACK KNOB ø 40 mm
D shaft hole 6x4.6 mm



COMPAK K...212

Trays

1260004 COFFEE COLLECTION TRAY
for Coffee grinder (COMPAK) A8
for Grinder-dispenser (COMPAK) K10 - K5 - K6 - K8

1260007 COFFEE COLLECTION TRAY
for Grinder-dispenser (COMPAK) K3



COMPAK K...803

COMPAK K.2051

1527811 COFFEE COLLECTION TRAY
for Grinder-dispenser (COMPAK) D1 - D2



COMPAK K...2

The data herewith contained may change without notice and LF SpA cannot be held responsible for possible errors stated or resulting by the use of this document. All rights reserved. No part of this publication may be reproduced without written permission by LF SpA.



Distributing Components, Spare Parts & Accessories in original quality worldwide

-
- LF SpA HEADQUARTERS**
via Voltri, 80 - 47522 Cesena (FC) ITALY
Tel. +39 0547 34 11 11 - Fax +39 0547 34 11 10
www.lfricambi724.it - info@lfricambi.it
Export Dept. Tel. +39 0547 34 11 50 - Fax +39 0547 34 11 55
www.lfspareparts724.com - export@lfspareparts.com
- LF SpA HOUSEHOLD COMPONENTS DIVISION**
Via Padriciano, 99 - AREA Science Park - 34149 Trieste (TS) ITALY
Tel. +39 0547 34 12 42 - Fax +39 0547 34 12 48
www.lfspareparts724.com - info@lfspareparts.com
- EPGC Sas FRANCE**
13, Rue des Forts - 59960 Neuville en Ferrain
Tel. +33 (0)3 20 25 06 21 - Fax +33 (0)3 20 25 34 12
www.epgc.com - epgc@epgc.com
- LF GmbH GERMANY**
Junkersstrasse, 3 - D-82178 Puchheim - München
Tel. +49 89 89 45 78 66 - Fax +49 89 89 45 78 88
www.lfersatzteile724.de - info@lfersatzteile.de
- LF China REPUBLIC OF CHINA**
Room 403, No.2, Huadu Mansion, Lane 422, Huanghua Rd.
Minhang Dist. - 201103 Shanghai
Tel. +86 (0)21 33 53 66 31 - Fax +86 (0)21 33 53 66 32
www.lfspareparts724.com - china@lfspareparts.com
- OOO LF RUSSIAN FEDERATION**
Ul. Anatoliya Zhivova, 8 - office 1 - 123100 Moscow
Tel./Fax +7 495 725 26 53
www.lfspareparts724.ru - info@lfspareparts.ru
- LF Repuestos Horeca S.L.U. SPAIN**
Poligono Industrial Carpetania - C/Miguel Faraday, 8 - 28906 Getafe
Tel. +34 91 477 91 00 - Fax +34 91 477 90 81
www.lfrepuestos-horeca724.es - info@lfrepuestos.es
- LF Scandinavia Aps - LF Spareparts S.p.A. DENMARK**
Nupark, 51 - 7500 Holstebro
Tel. +45 70 70 77 33
www.lfspareparts724.dk - denmark@lfspareparts.dk
- LF SpA Cesena (IT) Swiss Branch Steinhausen SWITZERLAND**
Sennweidstrasse, 45 - CH-6312 Steinhausen
Tel. +41 (0)41 760 15 80/1 - Fax +41 (0)41 760 15 85
www.lfersatzteile724.ch - info@lfersatzteile.ch
- LF Spare Parts Ltd. UNITED KINGDOM**
A10a Lakeside Business Park, Broadway Lane
South Cerney, Gloucestershire GL7 5XL
Tel. +44 (0)1285 86 16 25 - Fax +44 (0)1285 86 39 49
www.lfspareparts724.co.uk - info@lfspareparts.co.uk
- LF Central Est Europe S.r.o. CZECH REPUBLIC**
Antala Staska 1859/34
14000 Praha 4 - KRC
Tel. +420 730 156 910
www.lfspareparts724.cz - info@lfspareparts.cz
- LF SPARE PARTS INC. USA**
Legal address:
155 Office Plaza Dr - Suite A - Tallahassee, FL 32301
Business/Mailing address:
1100 South Tower, 225 Peachtree St., N.E. - Atlanta, GA 30303, USA
Tel. +1-404-525-2600 - Fax +1-404-586-3528
www.lfspareparts724.us - info@lfspareparts.us
Tel. West Coast and Midwest: 206-349-1525 Sauro
Tel. East Coast and the Caribbean: 786-817-1764 Luis
-
- AUSTRALIA AND NEW ZEALAND**
www.lfspareparts724.com
andrea.calvio@lfspareparts.com
- AUSTRIA**
www.lfersatzteile724.at
info@lfersatzteile.at
- BALKAN COUNTRIES**
www.lfspareparts724.com
matija.ramov@lfspareparts.com
- BALTIC COUNTRIES**
www.lfspareparts724.com
inara.silina@lfspareparts.com
- LATIN AMERICA AND THE CARRIBEANS**
www.lfrepuestos-horeca724.es
export@lfrepuestos.es
- POLAND**
www.lfspareparts724.pl
info@lfspareparts.pl
- SOUTH KOREA**
www.lfspareparts724.com
fabio.doni@lfspareparts.com
- TURKEY**
www.lfyedekparca724.com
export@lfspareparts.com