



Spare parts for the professional sector: Coffee grinders



Suitable for:

CASADIO



This catalogue is automatically generated.
Therefore, the sequence of the items might
not be always shown at best.
Updates will be issued in case of additions
and/or amendments.

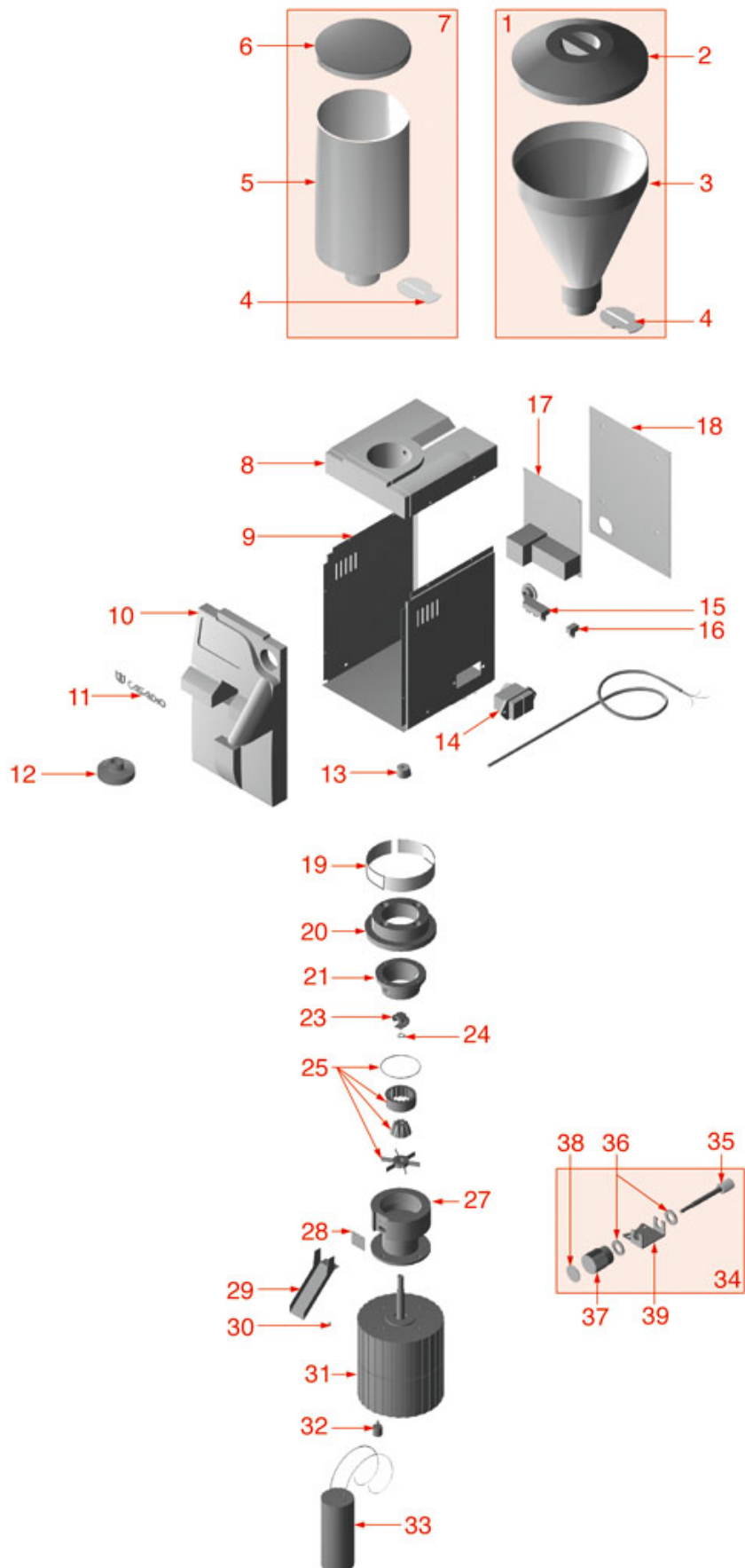
Suitable universal spare parts may not be included





COFFEE GRINDER INSTANTANEOUS

ISTANTANEO





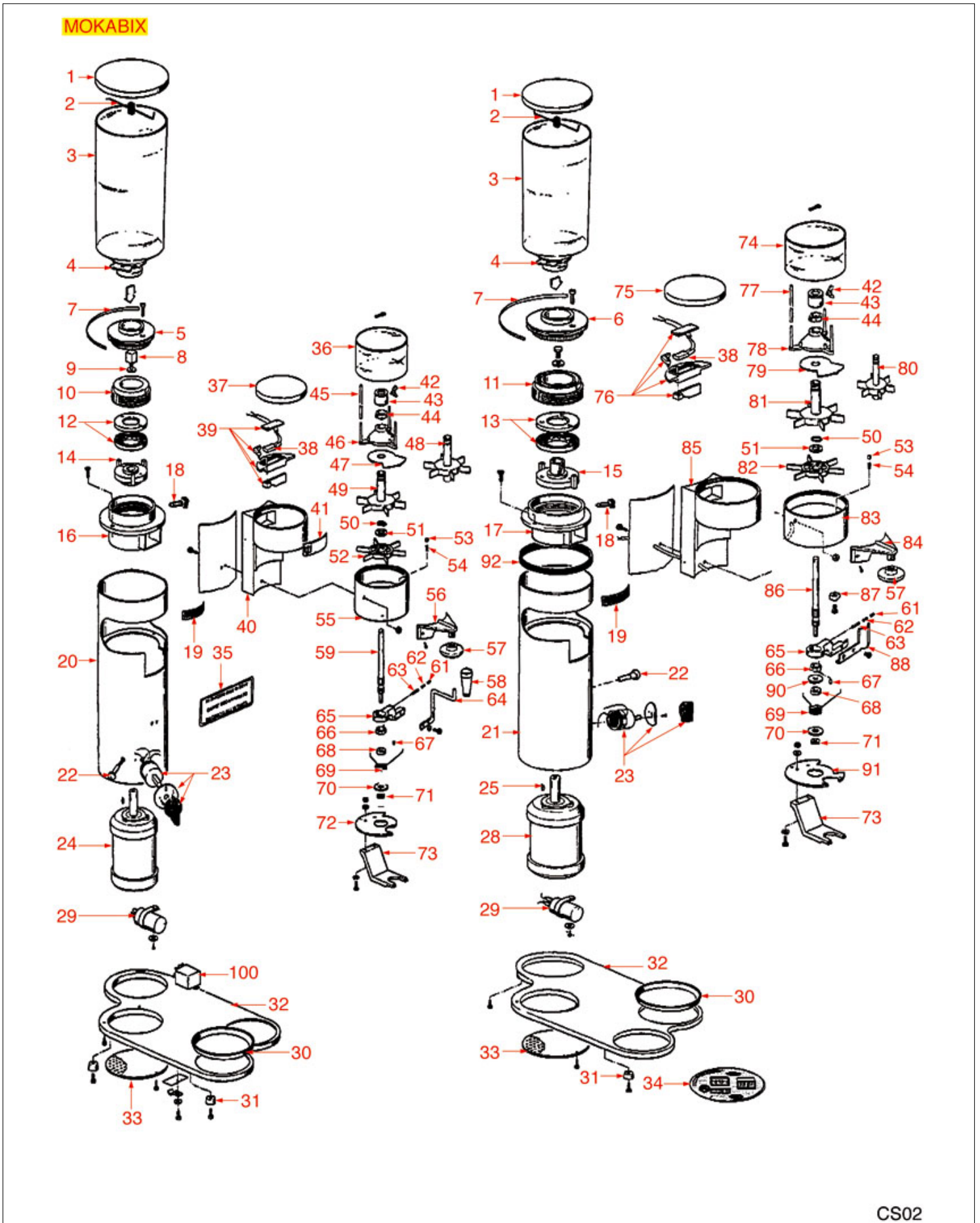
CASADIO



Position	LF code no.	Description
2	1080070	COFFEE HOPPER LID ø 205 mm
3	1080071	COFFEE HOPPER
4	1080059	COFFEE CONTAINER CLOSING SHEET
12	1385016	COFFEE TAMPER ø 57 mm
14	1319216	PUSH-BUTTON PANEL 0-1 15A 250V
25	1251110	GRINDING BURRS PAIR CASADIO CONICAL RH



GRINDER ASSEMBLY MOKABIX





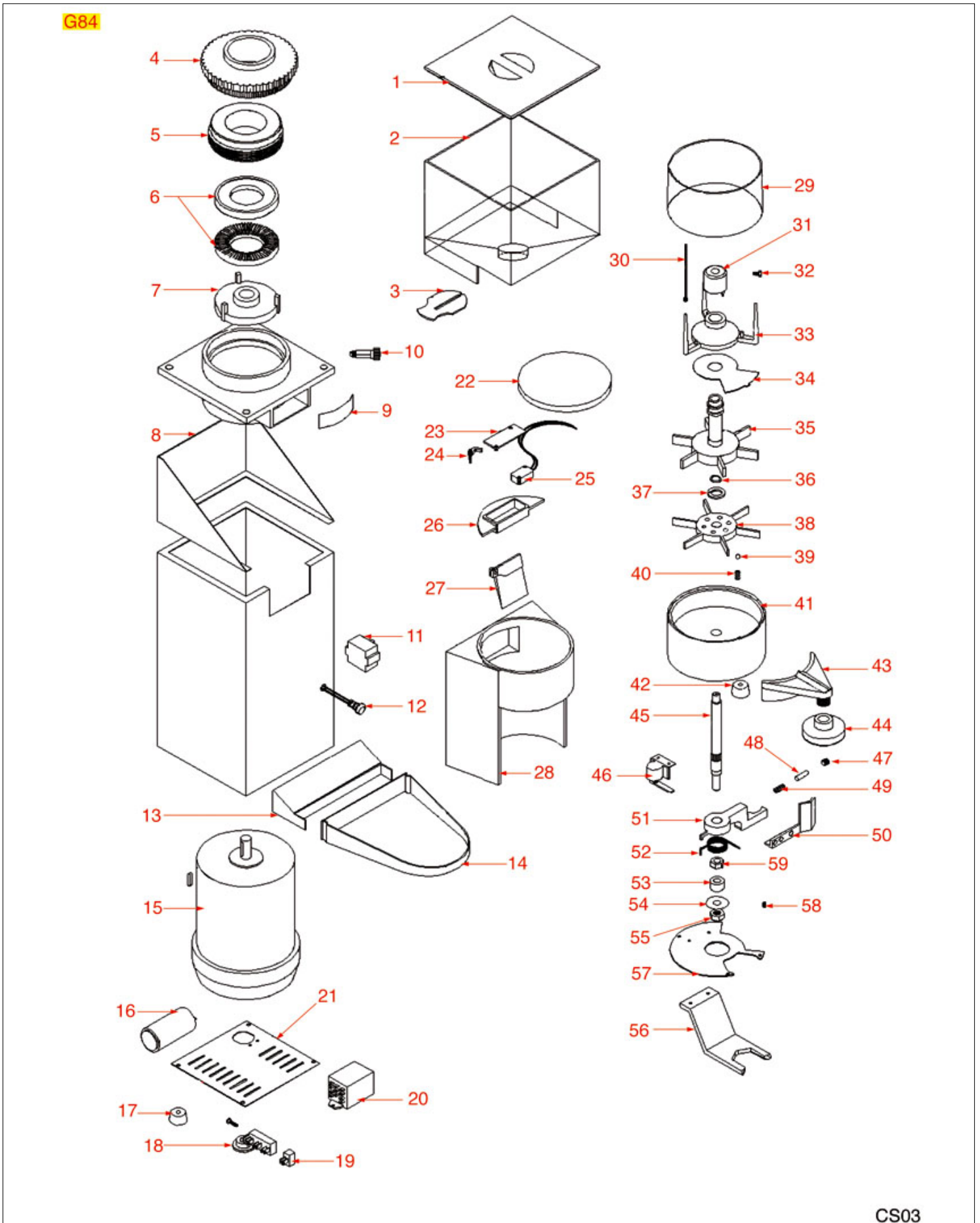
CASADIO



Position	LF code no.	Description
1	1080072	COFFEE HOPPER LID ø 145 mm
3	1080073	COFFEE HOPPER
4	1080059	COFFEE CONTAINER CLOSING SHEET
12	1251022	GRINDING BURRS CASADIO (PAIR) RIGHT
12	1251023	GRINDING BURRS CASADIO (PAIR) LEFT
13	1251025	GRINDING BURRS CASADIO-ISA (PAIR) LEFT
22	3221042	GREEN INDICATOR LAMP 230V
23	1057009	SELECTOR SWITCH 0-1 POSITIONS 12A 400V
23	9006081	THREE-PHASE SWITCH 10A 380V
36	1090015	DOSER CYLINDER ø 110x57 mm
37	1090017	DOSER LID ø 110 mm
38	3240123	MICROSWITCH ROLD VRSRB1DA1
43	1241079	ADJUSTMENT KNOB
46	1343063	TOP STAR
53	1252434	BALL ø 6.3 mm
54	1250166	BALL SPRING
57	1385016	COFFEE TAMPER ø 57 mm
69	1250150	DOSER LEVER RETURN SPRING
73	1162008	FILTER HOLDER FORK
74	1090016	DOSER CYLINDER ø 125x70 mm
75	1090018	DOSER LID ø 125 mm
81	1343064	MIDDLE STAR



GRINDER ASSEMBLY G84





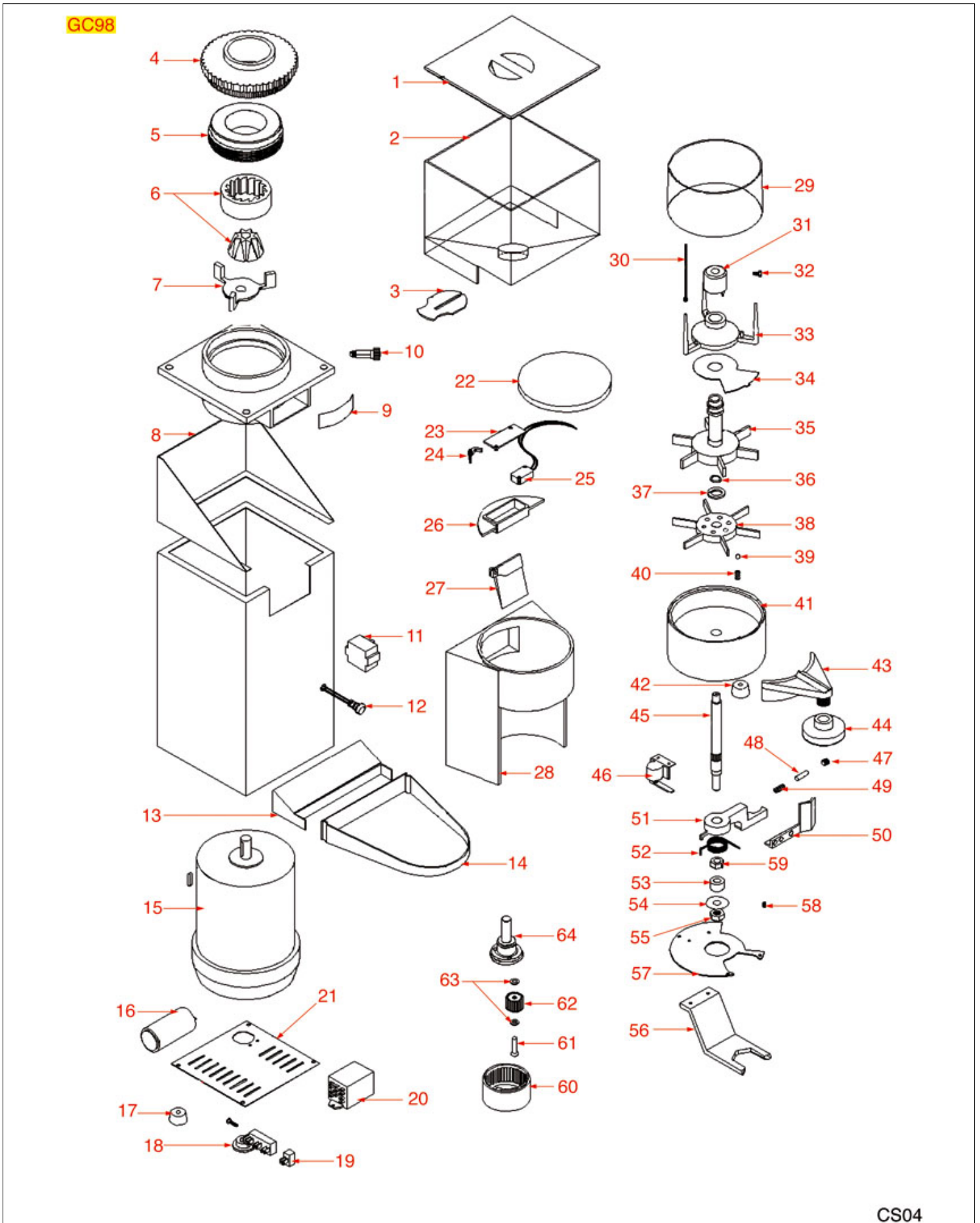
CASADIO



Position	LF code no.	Description
2	1080054	COMPLETE COFFEE HOPPER
3	1080059	COFFEE CONTAINER CLOSING SHEET
6	1251025	GRINDING BURRS CASADIO-ISA (PAIR) LEFT
11	1057009	SELECTOR SWITCH 0-1 POSITIONS 12A 400V
11	9006081	THREE-PHASE SWITCH 10A 380V
12	3221042	GREEN INDICATOR LAMP 230V
14	1252433	COFFEE COLLECTION TRAY
22	1090018	DOSER LID \varnothing 125 mm
25	3240123	MICROSWITCH ROLD VRSRB1DA1
29	1090016	DOSER CYLINDER \varnothing 125x70 mm
30	1343062	SCRAPER SPRING
31	1241079	ADJUSTMENT KNOB
33	1343063	TOP STAR
34	1343065	DOSER SHEET
35	1343064	MIDDLE STAR
39	1252434	BALL \varnothing 6.3 mm
40	1250166	BALL SPRING
44	1385016	COFFEE TAMPER \varnothing 57 mm
46	1252025	COUNTER FOR COFFEE GRINDER
49	1250170	CATCH SPRING \varnothing 6x17 mm
50	1225028	DOSER LEVER
52	1250150	DOSER LEVER RETURN SPRING
56	1162008	FILTER HOLDER FORK
59	1252435	6-TEETH PAWL



GRINDER ASSEMBLY GC98





CASADIO

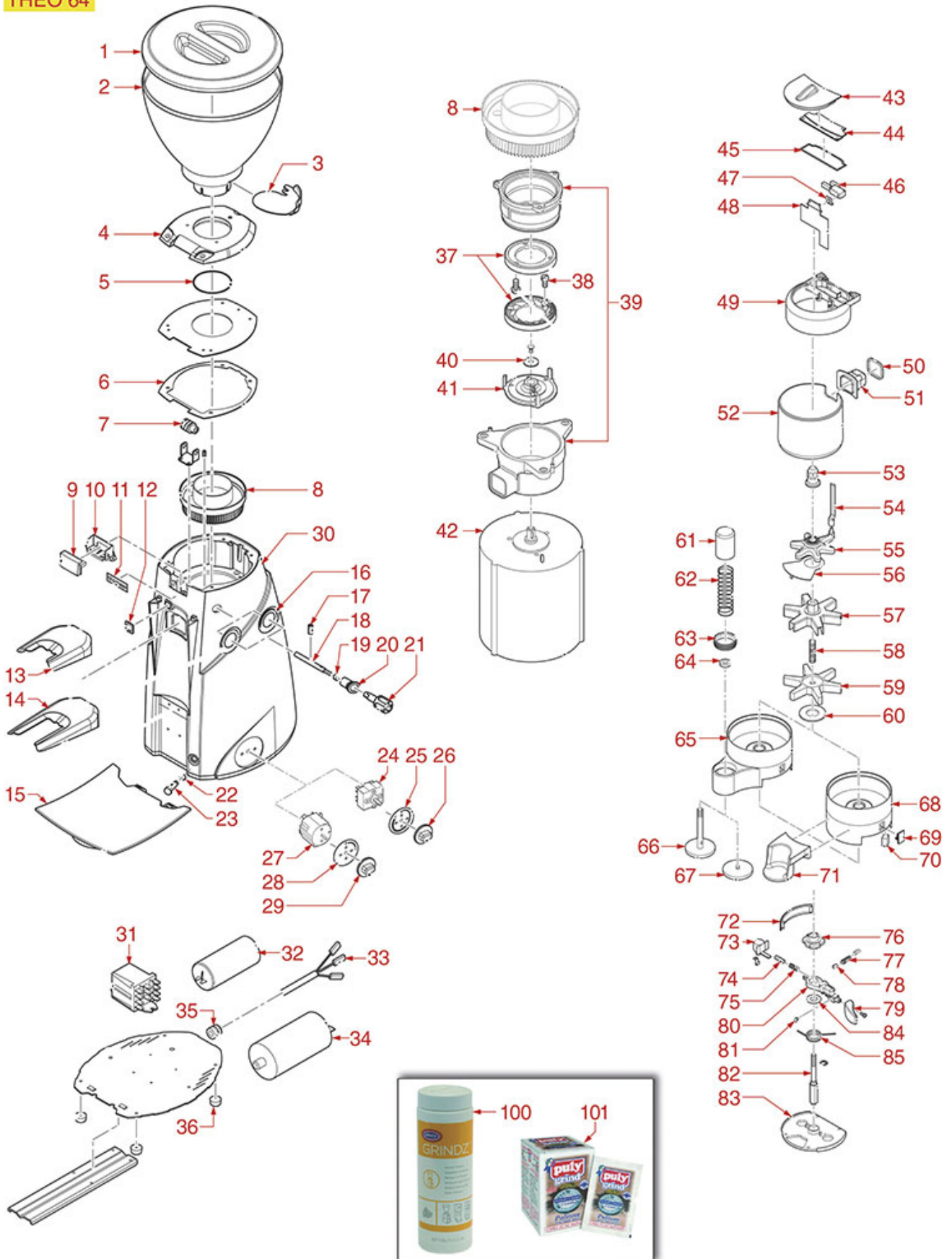


Position	LF code no.	Description
2	1080054	COMPLETE COFFEE HOPPER
3	1080059	COFFEE CONTAINER CLOSING SHEET
6	1251076	CONICAL GRINDING BURRS ROSSI (PAIR) RH
11	1057009	SELECTOR SWITCH 0-1 POSITIONS 12A 400V
11	9006081	THREE-PHASE SWITCH 10A 380V
12	3221042	GREEN INDICATOR LAMP 230V
14	1252433	COFFEE COLLECTION TRAY
22	1090018	DOSER LID \varnothing 125 mm
25	3240123	MICROSWITCH ROLD VRSRB1DA1
29	1090016	DOSER CYLINDER \varnothing 125x70 mm
30	1343062	SCRAPER SPRING
31	1241079	ADJUSTMENT KNOB
33	1343063	TOP STAR
34	1343065	DOSER SHEET
35	1343064	MIDDLE STAR
39	1252434	BALL \varnothing 6.3 mm
40	1250166	BALL SPRING
44	1385016	COFFEE TAMPER \varnothing 57 mm
46	1252025	COUNTER FOR COFFEE GRINDER
49	1250170	CATCH SPRING \varnothing 6x17 mm
50	1225028	DOSER LEVER
52	1250150	DOSER LEVER RETURN SPRING
56	1162008	FILTER HOLDER FORK
59	1252435	6-TEETH PAWL



COFFEE GRINDER-DOSER THEO 64

THEO 64





CASADIO

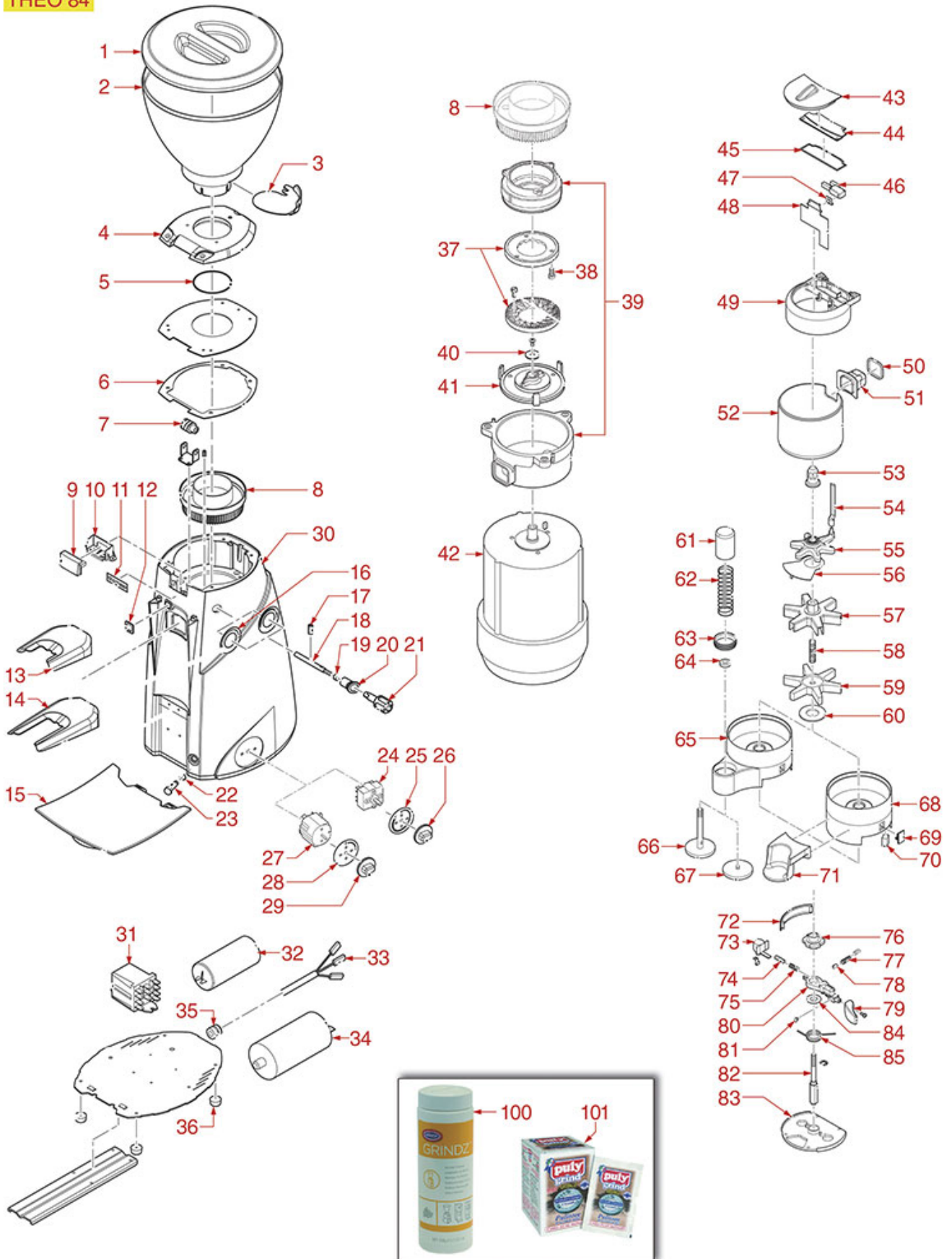


Position	LF code no.	Description
1	1080208	COFFEE HOPPER LID
2	1080207	COFFEE HOPPER
3	1080222	COFFEE HOPPER CLOSING SHEET
5	1186397	O RING GASKET OR 02300 EPDM
13	1162021	FILTER HOLDER FORK
15	1260011	COFFEE COLLECTING TRAY
19	3241084	ELASTIC RING FOR KNOB
24	1057030	SWITCH 0-1 POSITIONS 16A 250V
27	1446004	TIMER 60 SECONDS 16A 250V M21
31	1351010	POWER RELAY FINDER 62.83.8.400.0300
36	1313006	FOOT \varnothing 19x10 mm
37	1251187	GRINDING BURRS CASADIO/CIMBALI/FAEMA RH
38	1528631	CYLINDER HEAD SCREW M4x8
43	1090051	DOSER LID
46	1240283	MICROSWITCH CROUZET EF83161.3
50	1786164	GASKET FOR COFFEE OUTLET
51	1252472	COFFEE OUTLET MOUTH
52	1090050	DOSER CYLINDER \varnothing 122x90 mm
54	1090068	DOSER SCRAPER 93 mm
55	1343079	TOP STAR
56	1252200	DOSER SHEET
57	1343080	CENTRAL STAR
58	1250035	SPRING \varnothing 11x50 mm
59	1343081	BOTTOM STAR
62	1250060	COFFEE TAMPER SPRING \varnothing 13x73 mm
73	1252025	COUNTER FOR COFFEE GRINDER
74	1250036	CLASP \varnothing 5x16 mm
75	1250061	CLASP SPRING
76	1252021	PAWL GEAR 6 TEETH
77	1250061	CLASP SPRING
78	1324140	DISPENSER GROUP PIN \varnothing 4x16 mm
81	1252471	BUMPER FOR DOSER LEVER
85	1250033	DOSER LEVER RETURN SPRING LEFTHAND
85	1250062	DOSER LEVER RETURN SPRING
100	1092545	DETERGENT URNEX GRINDZ 430 g
101	3092076	CRYSTAL CLEANER PULY GRIND



COFFEE GRINDER-DOSER THEO 84

THEO 84





CASADIO

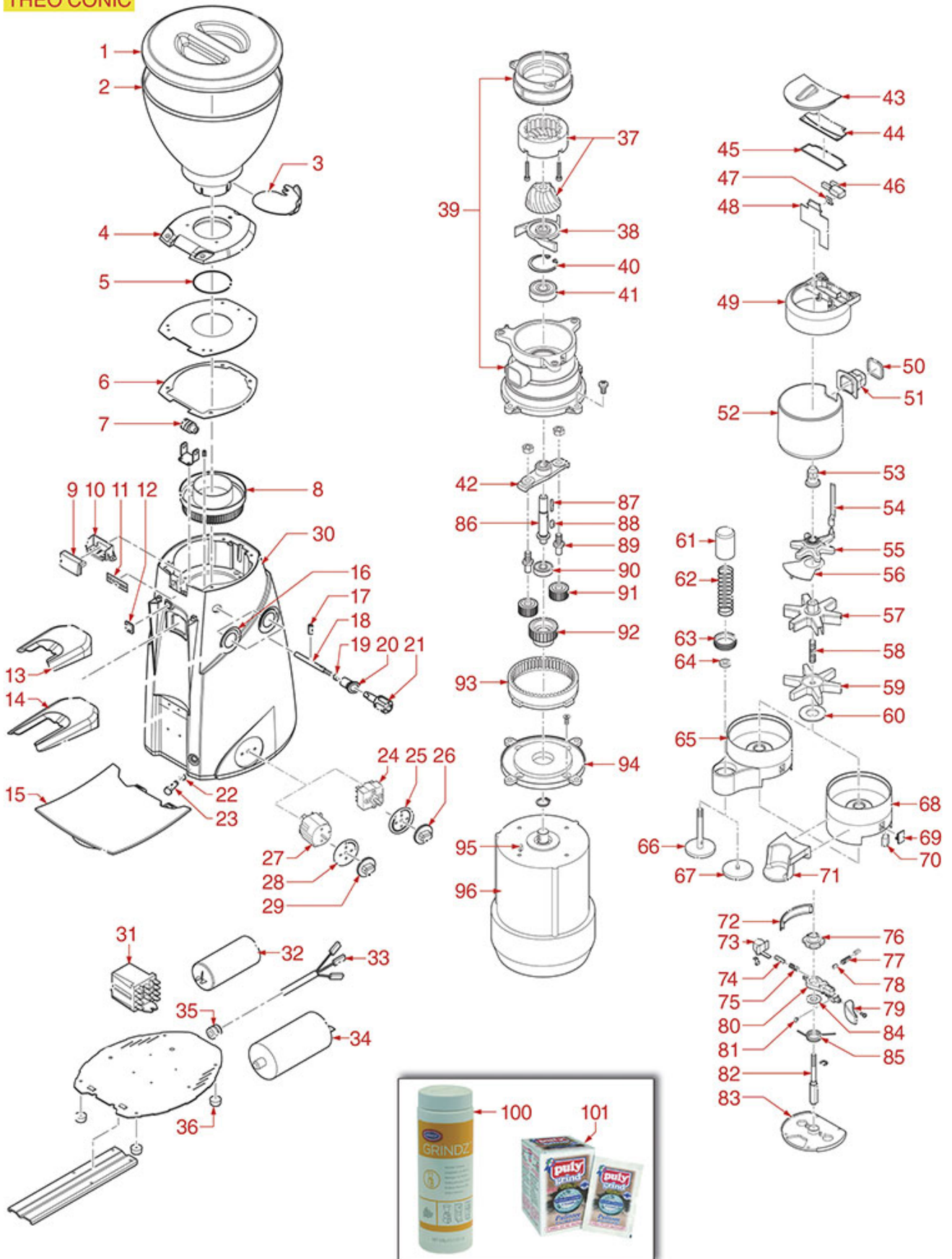


Position	LF code no.	Description
1	1080208	COFFEE HOPPER LID
2	1080207	COFFEE HOPPER
3	1080222	COFFEE HOPPER CLOSING SHEET
5	1186397	O RING GASKET OR 02300 EPDM
13	1162021	FILTER HOLDER FORK
15	1260011	COFFEE COLLECTING TRAY
19	3241084	ELASTIC RING FOR KNOB
24	1057030	SWITCH 0-1 POSITIONS 16A 250V
27	1446004	TIMER 60 SECONDS 16A 250V M21
31	1351010	POWER RELAY FINDER 62.83.8.400.0300
36	1313006	FOOT \varnothing 19x10 mm
37	1251188	GRINDING BURRS PAIR CASADIO RH
43	1090051	DOSER LID
46	1240283	MICROSWITCH CROUZET EF83161.3
50	1786164	GASKET FOR COFFEE OUTLET
51	1252472	COFFEE OUTLET MOUTH
52	1090050	DOSER CYLINDER \varnothing 122x90 mm
54	1090068	DOSER SCRAPER 93 mm
55	1343079	TOP STAR
56	1252200	DOSER SHEET
57	1343080	CENTRAL STAR
58	1250035	SPRING \varnothing 11x50 mm
59	1343081	BOTTOM STAR
62	1250060	COFFEE TAMPER SPRING \varnothing 13x73 mm
73	1252025	COUNTER FOR COFFEE GRINDER
74	1250036	CLASP \varnothing 5x16 mm
75	1250061	CLASP SPRING
76	1252021	PAWL GEAR 6 TEETH
77	1250061	CLASP SPRING
78	1324140	DISPENSER GROUP PIN \varnothing 4x16 mm
81	1252471	BUMPER FOR DOSER LEVER
85	1250033	DOSER LEVER RETURN SPRING LEFTHAND
85	1250062	DOSER LEVER RETURN SPRING
100	1092545	DETERGENT URNEX GRINDZ 430 g
101	3092076	CRYSTAL CLEANER PULY GRIND



COFFEE GRINDER-DOSER THEO CONIC

THEO CONIC





CASADIO

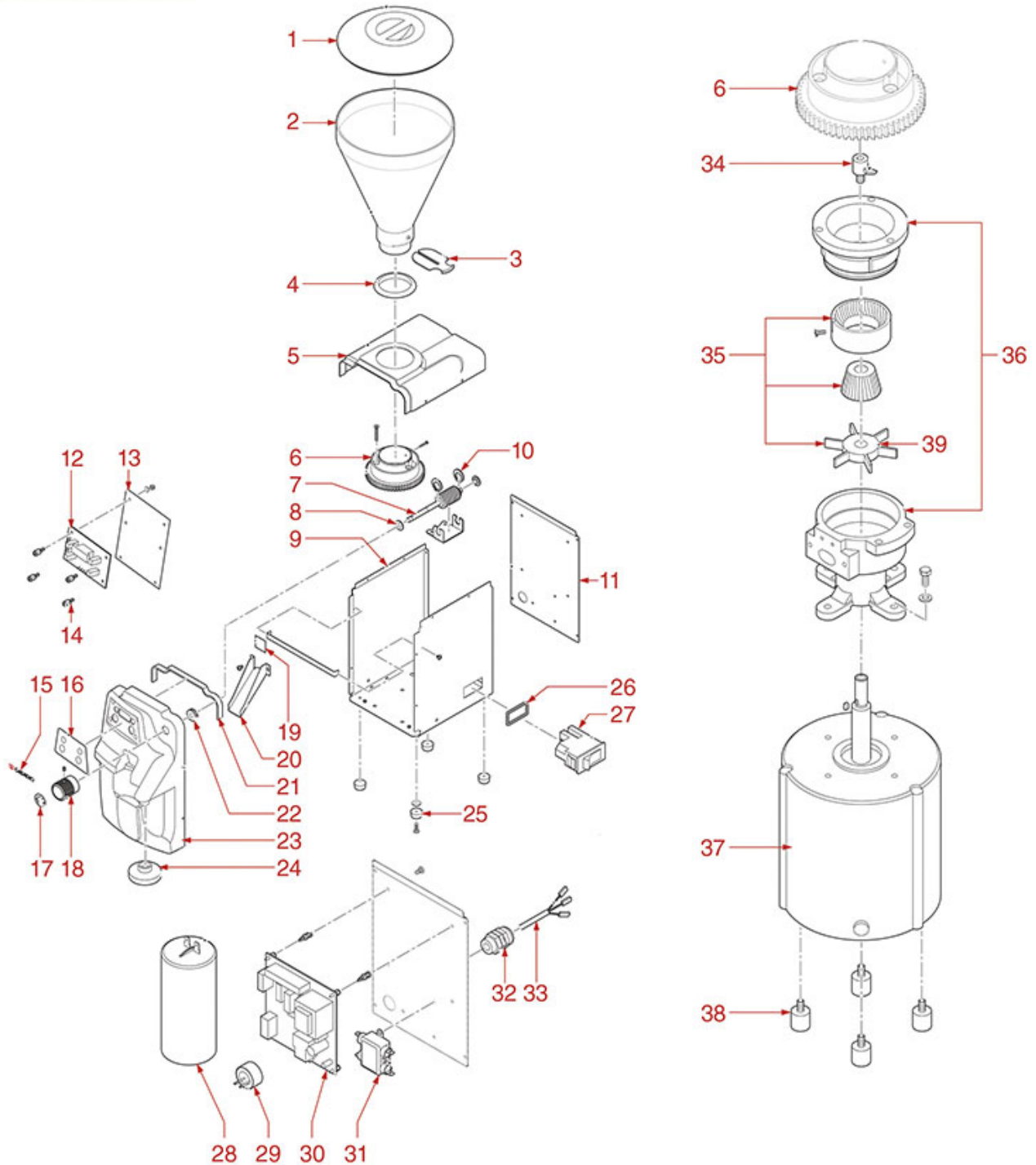


Position	LF code no.	Description
1	1080208	COFFEE HOPPER LID
2	1080207	COFFEE HOPPER
3	1080222	COFFEE HOPPER CLOSING SHEET
5	1186397	O RING GASKET OR 02300 EPDM
13	1162021	FILTER HOLDER FORK
15	1260011	COFFEE COLLECTING TRAY
19	3241084	ELASTIC RING FOR KNOB
24	1057030	SWITCH 0-1 POSITIONS 16A 250V
27	1446004	TIMER 60 SECONDS 16A 250V M21
31	1351010	POWER RELAY FINDER 62.83.8.400.0300
36	1313006	FOOT \varnothing 19x10 mm
37	1251189	GRINDING BURRS PAIR CASADIO CONICA RH
41	1063013	BEARING 6301 DDU NSK
43	1090051	DOSER LID
46	1240283	MICROSWITCH CROUZET EF83161.3
50	1786164	GASKET FOR COFFEE OUTLET
51	1252472	COFFEE OUTLET MOUTH
52	1090050	DOSER CYLINDER \varnothing 122x90 mm
54	1090068	DOSER SCRAPER 93 mm
55	1343079	TOP STAR
56	1252200	DOSER SHEET
57	1343080	CENTRAL STAR
58	1250035	SPRING \varnothing 11x50 mm
59	1343081	BOTTOM STAR
62	1250060	COFFEE TAMPER SPRING \varnothing 13x73 mm
73	1252025	COUNTER FOR COFFEE GRINDER
74	1250036	CLASP \varnothing 5x16 mm
75	1250061	CLASP SPRING
76	1252021	PAWL GEAR 6 TEETH
77	1250061	CLASP SPRING
78	1324140	DISPENSER GROUP PIN \varnothing 4x16 mm
81	1252471	BUMPER FOR DOSER LEVER
85	1250033	DOSER LEVER RETURN SPRING LEFTHAND
85	1250062	DOSER LEVER RETURN SPRING
100	1092545	DETERGENT URNEX GRINDZ 430 g
101	3092076	CRYSTAL CLEANER PULY GRIND



COFFEE GRINDER Istantaneo New

ISTANTANEO NEW





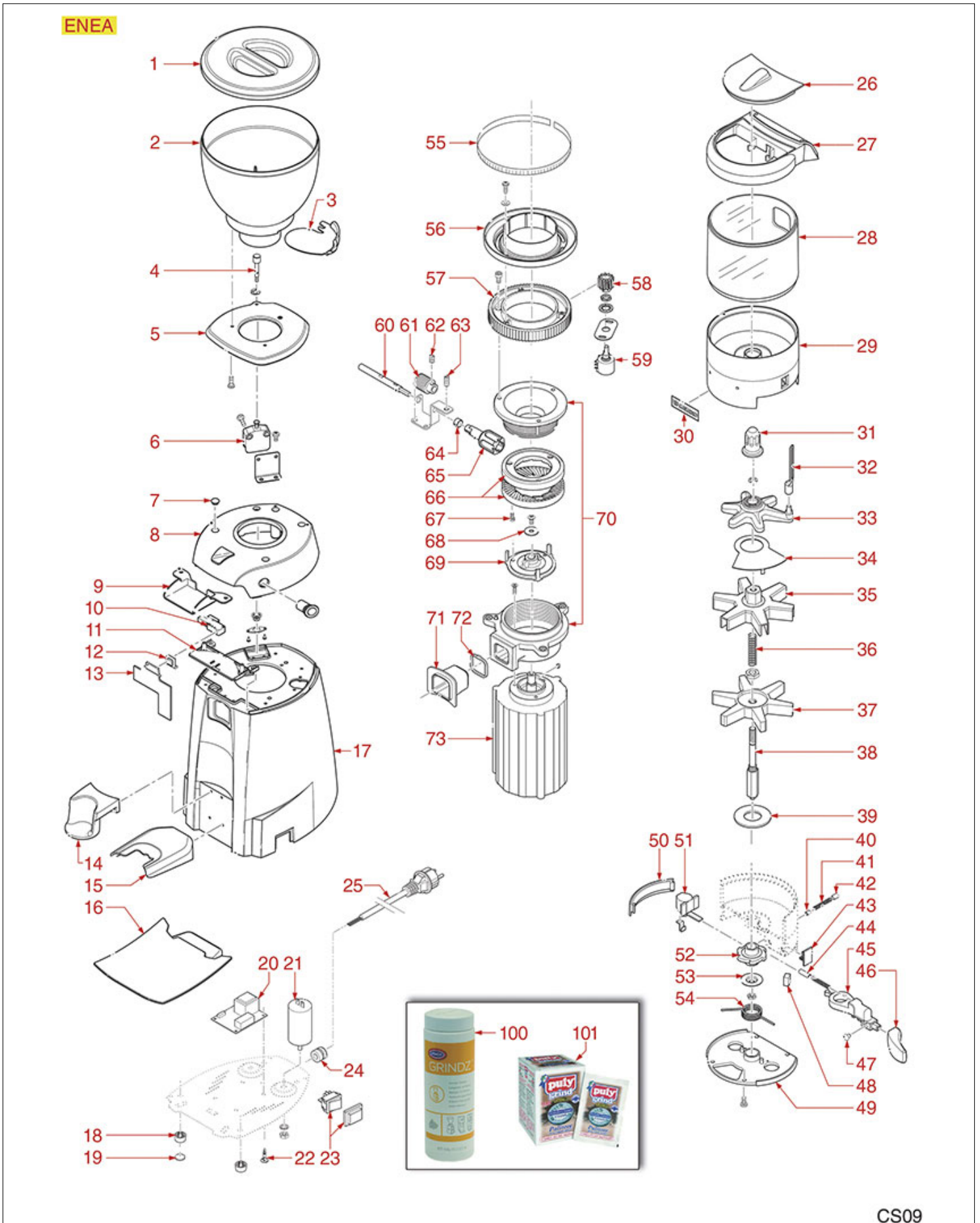
CASADIO



Position	LF code no.	Description
1	1080070	COFFEE HOPPER LID ø 205 mm
24	1385016	COFFEE TAMPER ø 57 mm
25	1313006	FOOT ø 19x10 mm
27	1319216	PUSH-BUTTON PANEL 0-1 15A 250V
35	1251110	GRINDING BURRS PAIR CASADIO CONICAL RH
50	1385000	NYLON TAMPER ø 50/52 mm
50	1385002	NYLON COFFEE TAMPER ø 50/57 mm
51	1385053	ANODIZED ALUMINIUM TAMPER ø 58 mm
51	1385054	ANODIZED ALUMINIUM TAMPER ø 53 mm
52	1385600	DYNAMOMETRIC MANUAL COFFEE TAMPER ø 57mm
52	1385601	DYNAMOMETRIC MANUAL TAMPER ø 52 mm
100	1092545	DETERGENT URNEX GRINDZ 430 g
101	3092076	CRYSTAL CLEANER PULY GRIND



COFFEE GRINDER-DOSER ENEA





CASADIO

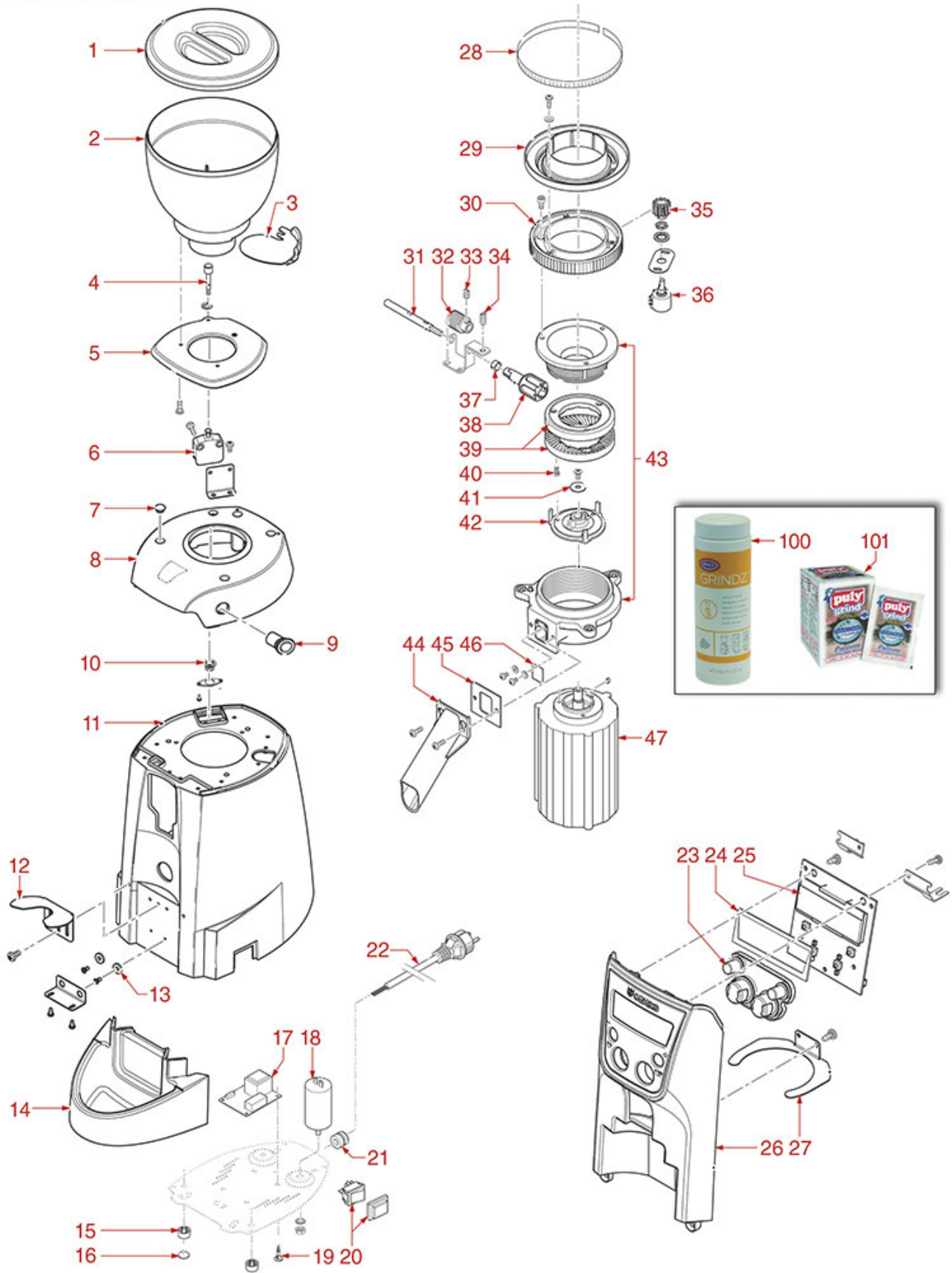


Position	LF code no.	Description
1	1080233	COFFEE CONTAINER LID
3	1080222	COFFEE HOPPER CLOSING SHEET
10	1240283	MICROSWITCH CROUZET EF83161.3
15	1162021	FILTER HOLDER FORK
21	3068019	CAPACITOR DUCATI ENERGIA 12,5µF
26	1090051	DOSER LID
33	1343079	TOP STAR
35	1343080	CENTRAL STAR
36	1250035	SPRING ø 11x50 mm
37	1343081	BOTTOM STAR
40	1324140	DISPENSER GROUP PIN ø 4x16 mm
41	1250061	CLASP SPRING
44	1250036	CLASP ø 5x16 mm
47	1252471	BUMPER FOR DOSER LEVER
51	1252025	COUNTER FOR COFFEE GRINDER
52	1252021	PAWL GEAR 6 TEETH
54	1250033	DOSER LEVER RETURN SPRING LEFTHAND
54	1250062	DOSER LEVER RETURN SPRING
64	3241084	ELASTIC RING FOR KNOB
66	1251191	GRINDING BURRS (PAIR) CASADIO RH
67	1528631	CYLINDER HEAD SCREW M4x8
71	1252472	COFFEE OUTLET MOUTH
72	1786164	GASKET FOR COFFEE OUTLET
100	1092545	DETERGENT URNEX GRINDZ 430 g
101	3092076	CRYSTAL CLEANER PULY GRIND



INSTANT COFFEE GRINDER ENEA

ENEA ON DEMAND





CASADIO



Position	LF code no.	Description
1	1080233	COFFEE CONTAINER LID
3	1080222	COFFEE HOPPER CLOSING SHEET
18	3068019	CAPACITOR DUCATI ENERGIA 12,5 μ F
37	3241084	ELASTIC RING FOR KNOB
39	1251191	GRINDING BURRS (PAIR) CASADIO RH
40	1528631	CYLINDER HEAD SCREW M4x8
100	1092545	DETERGENT URNEX GRINDZ 430 g
101	3092076	CRYSTAL CLEANER PULY GRIND



Suitable for:

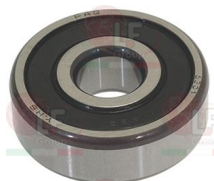
CASADIO



Suitable for:

Bearings

1063013 BEARING 6301 DDU NSK
ø external 37 mm - ø internal 12 mm - thickness 12



CASADIO

3063156 BEARING 6301-2RSH SKF
external ø 37 mm - internal ø 12 mm - thickness 12



Brushes

1384023 BRUSH FOR CLEANING 50 mm



CASADIO

1384001 BRUSH FOR COFFEE SHOWER



CASADIO 457062000

1384002 BRUSH FOR MAINTENANCE



CASADIO

1384014 BRUSH FOR SHOWER RED



CASADIO

Bumpers

1252471 BUMPER FOR DOSER LEVER
for Grinder-dispenser (CASADIO) ENEA - THEOCONIC
THEO64 - THEO84



CASADIO 532802800

Capacitors, electrical

3068016 CAPACITOR DUCATIENERGIA 10µF
450V 50/60Hz
operating temperature -25 + 85°C
lead connector 6.35x0.8 mm
ø 36xh58 mm



CASADIO 2341119567

CASADIO 531492900

3068019 CAPACITOR DUCATIENERGIA 12,5µF
450V 50/60Hz
operating temperature -25 + 85°C
lead connection 6.35x0.8 mm
ø 36xh70 mm



CASADIO 531493100

Suitable for:

3068080 CAPACITOR ELECTRICAL 10 μ F
450V 50/60Hz - \emptyset 30xh71 mm



CASADIO 2341119567

CASADIO 531492400

CASADIO 531492900

Suitable for:

3068081 CAPACITOR ELECTRICAL 12.5 μ F
450V 50/60Hz - \emptyset 35xh71 mm



CASADIO 531493100

Coffee measuring spoons

1069001 PLASTIC MEASURING SPOON 20 ml



CASADIO

1069002 STAINLESS STEEL MEASURING SPOON 20 ml



CASADIO

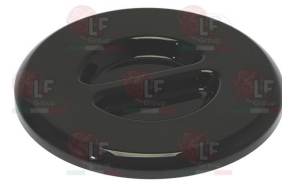
Containers for coffee

1080059 COFFEE CONTAINER CLOSING SHEET
for Coffee grinder (CASADIO) Istantaneo
for Grinder-dispenser (CASADIO) GC98 - G84
MOKABIX



CASADIO 45000510001

1080233 COFFEE CONTAINER LID
for Coffee grinder (CASADIO) ENEAONDEMAND
for Grinder-dispenser (CASADIO) ENEA



CASADIO 968024010

1080071 COFFEE HOPPER
for Coffee grinder (CASADIO) Istantaneo



CASADIO 45001290001

1080073 COFFEE HOPPER
for Grinder-dispenser (CASADIO) MOKABIX



CASADIO 45000500001

1080207 COFFEE HOPPER
for Grinder-dispenser (CASADIO) THEOCONIC - THEO64
THEO84



CASADIO 965089010

1080222 COFFEE HOPPER CLOSING SHEET
for Coffee grinder (CASADIO) ENEAONDEMAND
for Grinder-dispenser (CASADIO) ENEA - THEOCONIC
THEO64 - THEO84



CASADIO 965090000

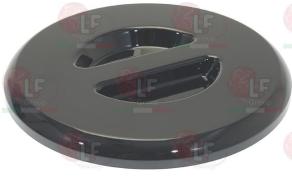


Suitable for:

CASADIO

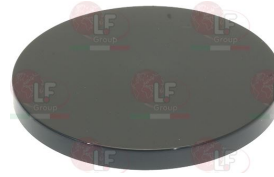


1080208 COFFEE HOPPER LID
for Grinder-dispenser (CASADIO) THEOCONIC - THEO64
THEO84



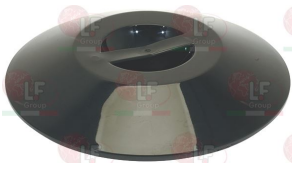
CASADIO 965088000

Suitable for:
1080072 COFFEE HOPPER LID ø 145 mm
for Grinder-dispenser (CASADIO) MOKABIX



CASADIO 45000570001

1080070 COFFEE HOPPER LID ø 205 mm
for Coffee grinder (CASADIO) Istantaneo
Istantaneo New



CASADIO 45001310001

CASADIO 967001010

1080054 COMPLETE COFFEE HOPPER
for Grinder-dispenser (CASADIO) GC98 - G84



CASADIO 40098380000

CASADIO 45000790001

Counters

1252025 COUNTER FOR COFFEE GRINDER
for Grinder-dispenser (CASADIO) ENEA - GC98 - G84
THEOCONIC - THEO64 - THEO84



CASADIO 4251133589

CASADIO 50120000100

Detergents

1092213 DETERGENT GRIND CLEANER 340 g
detergent for grinders cleaning
natural grain-based ingredients
100% biological
please see the attached documentation for use



CASADIO



Dosers for coffee

1090015 DOSER CYLINDER \varnothing 110x57 mm
for Grinder-dispenser (CASADIO) MOKABIX



CASADIO 45000030001

1090050 DOSER CYLINDER \varnothing 122x90 mm
for Grinder-dispenser (CASADIO) THEOCONIC - THEO64
THEO84



CASADIO 965160000

1090016 DOSER CYLINDER \varnothing 125x70 mm
for Grinder-dispenser (CASADIO) GC98 - G84
MOKABIX



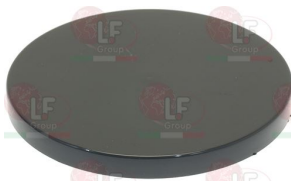
CASADIO 45000590001

1090051 DOSER LID
for Coffee grinder (CASADIO) ENEAOD
for Grinder-dispenser (CASADIO) ENEA - THEOCONIC
THEO64 - THEO84



CASADIO 965104000

1090017 DOSER LID \varnothing 110 mm
for Grinder-dispenser (CASADIO) MOKABIX



CASADIO 45000010001

1090018 DOSER LID \varnothing 125 mm
for Grinder-dispenser (CASADIO) GC98 - G84
MOKABIX



CASADIO 45001030001

Feet

1313006 FOOT \varnothing 19x10 mm
for Grinder-dispenser (CASADIO) THEOCONIC - THEO64
THEO84



CASADIO 532800100



Suitable for:

CASADIO



Suitable for:

Forks for portafilter coffee grinder

1162008 FILTER HOLDER FORK
for Grinder-dispenser (CASADIO) GC98 - G84
MOKABIX



CASADIO 45000250001

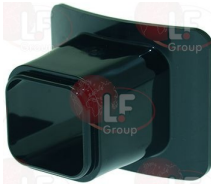
1162021 FILTER HOLDER FORK
for Coffee grinder (CASADIO) ENEAOD
for Grinder-dispenser (CASADIO) ENEA - THEOCONIC
THEO64 - THEO84



CASADIO 965101000

Gaskets and seals

1252472 COFFEE OUTLET MOUTH
for Grinder-dispenser (CASADIO) ENEA - THEOCONIC
THEO64 - THEO84



CASADIO 965193000

1786164 GASKET FOR COFFEE OUTLET
for Grinder-dispenser (CASADIO) THEOCONIC - THEO64
THEO84



CASADIO 965227010

Grinders

1251076 CONICAL GRINDING BURRS ROSSI (PAIR) RH
external \varnothing 68/49 mm - internal \varnothing 41/13 mm
thickness 25 mm - 4 mounting holes
inner groove for feather key
for Grinder-dispenser (CASADIO) GC98



CASADIO 41008320002

1251191 GRINDING BURRS (PAIR) CASADIO RH
external \varnothing 63 mm - internal \varnothing 38 mm
thickness 9 mm - 3 mounting holes
for Coffee grinder (CASADIO) ENEAONDEMAND
for Grinder-dispenser (CASADIO) ENEA



CASADIO 537060000

1251021 GRINDING BURRS CASADIO (PAIR) LEFT
external \varnothing 53 mm - internal \varnothing 30 mm
thickness 8.5 mm - 3 fixing holes
for Grinder-dispenser (CASADIO) EXPORT



CASADIO 41005870002

1251023 GRINDING BURRS CASADIO (PAIR) LEFT
external \varnothing 64 mm - internal \varnothing 34.5 mm
thickness 10 mm - 2 fixing holes
for Grinder-dispenser (CASADIO) MOKABIX



CASADIO 41000390102

Suitable for:

1251022 GRINDING BURRS CASADIO (PAIR) RIGHT
 external \varnothing 64 mm - internal \varnothing 34.5 mm
 thickness 10 mm - 2 fixing holes
 for Grinder-dispenser (CASADIO) MOKABIX



CASADIO

1251187 GRINDING BURRS CASADIO/CIMBALI/FAEMA RH
 external \varnothing 63.5 mm - internal \varnothing 38 mm
 thickness 9 mm - 3 fastening holes
 for Grinder-dispenser (CASADIO) THEO64



CASADIO 537048800

1251110 GRINDING BURRS PAIR CASADIO CONICAL RH
 external \varnothing 47/32 mm - internal \varnothing 28/10 mm
 thickness 20 mm
 complete with star gasket
 for Coffee grinder (CASADIO) Istantaneo Istantaneonev



CASADIO 40090890000
 CASADIO 537046700

CASADIO 41009030002

CASADIO 50160100100

Suitable for:

1251025 GRINDING BURRS CASADIO-ISA (PAIR) LEFT
 external \varnothing 84 mm - internal \varnothing 45 mm
 thickness 10.3 mm - 3 fixing holes
 for Grinder-dispenser (CASADIO) G84 - MOKABIX



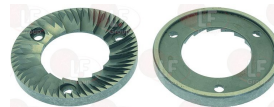
CASADIO 41000760102

1251189 GRINDING BURRS PAIR CASADIO CONICA RH
 external \varnothing 68/49 mm - internal \varnothing 42/11 mm
 thickness 25 mm - 4 fastening holes
 inner groove for feather
 for Grinder-dispenser (CASADIO) THEOCONIC



CASADIO 965157000

1251188 GRINDING BURRS PAIR CASADIO RH
 external \varnothing 84 mm - internal \varnothing 46 mm
 thickness 9.3 mm - 3 fastening holes
 for Grinder-dispenser (CASADIO) THEO84



CASADIO 537048900

Indicator lights

3221042 GREEN INDICATOR LAMP 230V
 head \varnothing 20 mm - hole \varnothing 10 mm - 120°C
 wires connection length 200 mm



CASADIO 50500100000



Suitable for:

CASADIO



Suitable for:

Ironmongery (screws,nuts,washers)

1528631 CYLINDER HEAD SCREW M4x8
stainless steel - cross recessed
UNI 7687 - DIN 7985 - ISO 7045



CASADIO 500004080

3528112 HEXAGONAL HEAD SCREW M6x16
st./steel - UNI 5739 - DIN 933 - ISO 4017



CASADIO 593793001

1348813 HEXAGONAL NUT M4 MEDIUM
stainless steel - UNI 5588 - DIN 934 - ISO 4032



CASADIO 542904040

Knobs

1241079 ADJUSTMENT KNOB



CASADIO 45000040002

3241084 ELASTIC RING FOR KNOB



CASADIO 4081132841

Levers

1225028 DOSER LEVER
for Grinder-dispenser (CASADIO) GC98 - G84



CASADIO 41000650003

CASADIO 41000650102



Microswitches, mechanical

1240283 MICROSWITCH CROUZET EF83161.3
 1NO+1NC 16A 250V - faston 6.3x0.8 mm
 standard
 operating force max 0.8N - min 0.2N
 for Coffee grinder (CASADIO) ENEAOD
 for Grinder-dispenser (CASADIO) ENEA - THEOCONIC
 THEO64 - THEO84



CASADIO 532022808

2111919 MICRO LEVER ASSEMBLY CROUZET
 5 levers: lever 74 mm - lever 26.5 mm - lever 15.5 mm
 lever with roll 17 mm - lever with roll 27 mm



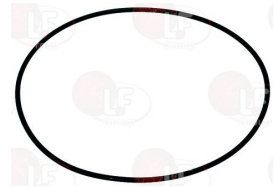
3240123 MICROSWITCH ROLD VRSRB1DA1
 16A 250V



CASADIO 50500500500

O-Ring and ORM gaskets

1186397 O RING GASKET OR 02300 EPDM



CASADIO 402280010

Pawls for coffee grinder dosers

1252021 PAWL GEAR 6 TEETH



CASADIO 4831134778

1252435 6-TEETH PAWL



CASADIO 41008700019

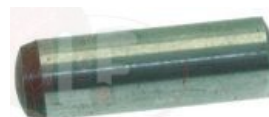
Pins

1252434 BALL \varnothing 6.3 mm



CASADIO 50070000200

1250036 CLASP \varnothing 5x16 mm



CASADIO 4061133599



Suitable for:

CASADIO



Suitable for:

1324140 DISPENSER GROUP PIN \varnothing 4x16 mm
for Grinder-dispenser (CASADIO) THEOCONIC - THE064
THE084



CASADIO 4061133598

Relays

1351010 POWER RELAY FINDER 62.83.8.400.0300
400V 50/60Hz
3 contacts NO 16A
for Grinder-dispenser (CASADIO) THEOCONIC - THE064
THE084



CASADIO 531550300

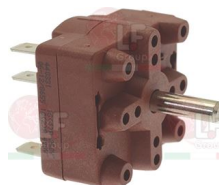
Rotary switches

1057009 SELECTOR SWITCH 0-1 POSITIONS 12A 400V
square pin 5x5 mm
for Grinder-dispenser (CASADIO) GC98 - G84
MOKABIX



CASADIO 50500300100

1057030 SWITCH 0-1 POSITIONS 16A 250V
for Grinder-dispenser (CASADIO) THEOCONIC - THE064
THE084



CASADIO 965172000

Springs

1250166 BALL SPRING



CASADIO 41000120001

1250170 CATCH SPRING \varnothing 6x17 mm



CASADIO 41000300002

1250061 CLASP SPRING



CASADIO 4731133577

1250060 COFFEE TAMPER SPRING \varnothing 13x73 mm



CASADIO 4731133593

Suitable for:

1250062 DOSER LEVER RETURN SPRING
for CIMBALI MAGNUM
for FAEMA MD2000-MD3000



CASADIO 4731133581

Suitable for:

1250150 DOSER LEVER RETURN SPRING
for CASADIO MOCHABIX-G84-GC98



CASADIO 41000190002

1250033 DOSER LEVER RETURN SPRING LEFTHAND
for CIMBALI MAGNUM
for FAEMA MD2000-MD3000



CASADIO 4731133582

1343062 SCRAPER SPRING



CASADIO 41008590002

1250035 SPRING \varnothing 11x50 mm



CASADIO 4731008848

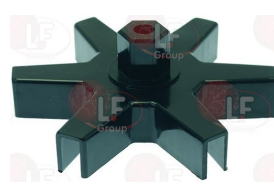
Stars and spare parts

1343081 BOTTOM STAR
for Grinder-dispenser (CASADIO) ENEA - THEOCONIC
THEO64 - THEO84



CASADIO 965283000

1343080 CENTRAL STAR
for Grinder-dispenser (CASADIO) ENEA - THEOCONIC
THEO64 - THEO84



CASADIO 965282010

1090068 DOSER SCRAPER 93 mm
for Grinder-dispenser (CASADIO) THEOCONIC - THEO64
THEO84



CASADIO 965191000

1252200 DOSER SHEET



CASADIO 4941026287

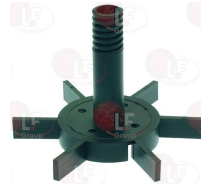


Suitable for:

Suitable for:

1343065 DOSER SHEET

1343064 MIDDLE STAR



CASADIO 41000610009

CASADIO 45000620001

1343063 TOP STAR

1343079 TOP STAR
for Grinder-dispenser (CASADIO) ENEA - THE064
THE084



CASADIO 45000600001

CASADIO 965192000

Switches

1319216 PUSH-BUTTON PANEL 0-1 15A 250V
mounting hole 22x45 mm
for Coffee grinder (CASADIO) Istantaneo
Istantaneo NEW

9006081 THREE-PHASE SWITCH 10A 380V
for Grinder-dispenser (CASADIO) GC98 - G84
MOKABIX



CASADIO 50500301600

CASADIO 50500301601

CASADIO 965069010

CASADIO 50500301400

Tampers for coffee

1385016 COFFEE TAMPER ø 57 mm
for Coffee grinder (CASADIO) Istantaneo
IstantaneoNEW

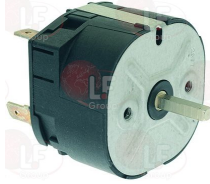


CASADIO 45000220001

CASADIO 967022010

Timers

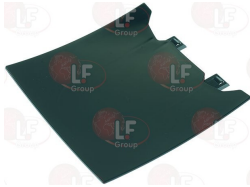
- 1446004** **TIMER 60 SECONDS 16A 250V M21**
mechanical movement with balance wheel
1 minute manually set cycle
bipolar timer with contact capacity 16A 250V
max room temperature 125°C
square pin 3.5x3.5 mm
for Grinder-dispenser (CASADIO) THEOCONIC - THEO64
THEO84



CASADIO 965173000

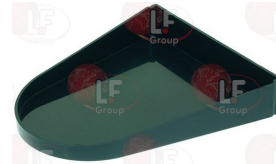
Trays

- 1260011** **COFFEE COLLECTING TRAY**
for Grinder-dispenser (CASADIO) THEOCONIC - THEO64
THEO84



CASADIO 965128000

- 1252433** **COFFEE COLLECTION TRAY**
for Grinder-dispenser (CASADIO) GC98 - G84



CASADIO 45000700001

The data herewith contained may change without notice and LF SpA cannot be held responsible for possible errors stated or resulting by the use of this document. All rights reserved. No part of this publication may be reproduced without written permission by LF SpA.



Distributing Components, Spare Parts & Accessories in original quality worldwide

-
- LF SpA HEADQUARTERS**
via Voltri, 80 - 47522 Cesena (FC) ITALY
Tel. +39 0547 34 11 11 - Fax +39 0547 34 11 10
www.lfircambi724.it - info@lfircambi.it
Export Dept. Tel. +39 0547 34 11 50 - Fax +39 0547 34 11 55
www.lfspareparts724.com - export@lfspareparts.com
- LF SpA HOUSEHOLD COMPONENTS DIVISION**
Via Padriciano, 99 - AREA Science Park - 34149 Trieste (TS) ITALY
Tel. +39 0547 34 12 42 - Fax +39 0547 34 12 48
www.lfspareparts724.com - info@lfspareparts.com
- EPGC Sas FRANCE**
13, Rue des Forts - 59960 Neuville en Ferrain
Tel. +33 (0)3 20 25 06 21 - Fax +33 (0)3 20 25 34 12
www.epgc.com - epgc@epgc.com
- LF GmbH GERMANY**
Junkersstrasse, 3 - D-82178 Puchheim - München
Tel. +49 89 89 45 78 66 - Fax +49 89 89 45 78 88
www.lfersatzteile724.de - info@lfersatzteile.de
- LF China REPUBLIC OF CHINA**
Room 403, No.2, Huadu Mansion, Lane 422, Huanghua Rd.
Minhang Dist. - 201103 Shanghai
Tel. +86 (0)21 33 53 66 31 - Fax +86 (0)21 33 53 66 32
www.lfspareparts724.com - china@lfspareparts.com
- OOO LF RUSSIAN FEDERATION**
Ul. Anatoliya Zhivova, 8 - office 1 - 123100 Moscow
Tel./Fax +7 495 725 26 53
www.lfspareparts724.ru - info@lfspareparts.ru
- LF Repuestos Horeca S.L.U. SPAIN**
Poligono Industrial Carpetania - C/Miguel Faraday, 8 - 28906 Getafe
Tel. +34 91 477 91 00 - Fax +34 91 477 90 81
www.lfrepuestos-horeca724.es - info@lfrepuestos.es
- LF Scandinavia Aps - LF Spareparts S.p.A. DENMARK**
Nupark, 51 - 7500 Holstebro
Tel. +45 70 70 77 33
www.lfspareparts724.dk - denmark@lfspareparts.dk
- LF SpA Cesena (IT) Swiss Branch Steinhausen SWITZERLAND**
Sennweidstrasse, 45 - CH-6312 Steinhausen
Tel. +41 (0)41 760 15 80/1 - Fax +41 (0)41 760 15 85
www.lfersatzteile724.ch - info@lfersatzteile.ch
- LF Spare Parts Ltd. UNITED KINGDOM**
A10a Lakeside Business Park, Broadway Lane
South Cerney, Gloucestershire GL7 5XL
Tel. +44 (0)1285 86 16 25 - Fax +44 (0)1285 86 39 49
www.lfspareparts724.co.uk - info@lfspareparts.co.uk
- LF Central Est Europe S.r.o. CZECH REPUBLIC**
Antala Staska 1859/34
14000 Praha 4 - KRC
Tel. +420 730 156 910
www.lfspareparts724.cz - info@lfspareparts.cz
- LF SPARE PARTS INC. USA**
Legal address:
155 Office Plaza Dr - Suite A - Tallahassee, FL 32301
Business/Mailing address:
1100 South Tower, 225 Peachtree St., N.E. - Atlanta, GA 30303, USA
Tel. +1-404-525-2600 - Fax +1-404-586-3528
www.lfspareparts724.us - info@lfspareparts.us
Tel. West Coast and Midwest: 206-349-1525 Sauro
Tel. East Coast and the Caribbean: 786-817-1764 Luis
-
- AUSTRALIA AND NEW ZEALAND**
www.lfspareparts724.com
andrea.calvio@lfspareparts.com
- AUSTRIA**
www.lfersatzteile724.at
info@lfersatzteile.at
- BALKAN COUNTRIES**
www.lfspareparts724.com
matija.ramov@lfspareparts.com
- BALTIC COUNTRIES**
www.lfspareparts724.com
inara.silina@lfspareparts.com
- LATIN AMERICA AND THE CARRIBEANS**
www.lfrepuestos-horeca724.es
export@lfrepuestos.es
- POLAND**
www.lfspareparts724.pl
info@lfspareparts.pl
- SOUTH KOREA**
www.lfspareparts724.com
fabio.doni@lfspareparts.com
- TURKEY**
www.lfyedekparca724.com
export@lfspareparts.com