



Spare parts for the professional sector: Coffee grinders



Suitable for:

BRASILIA



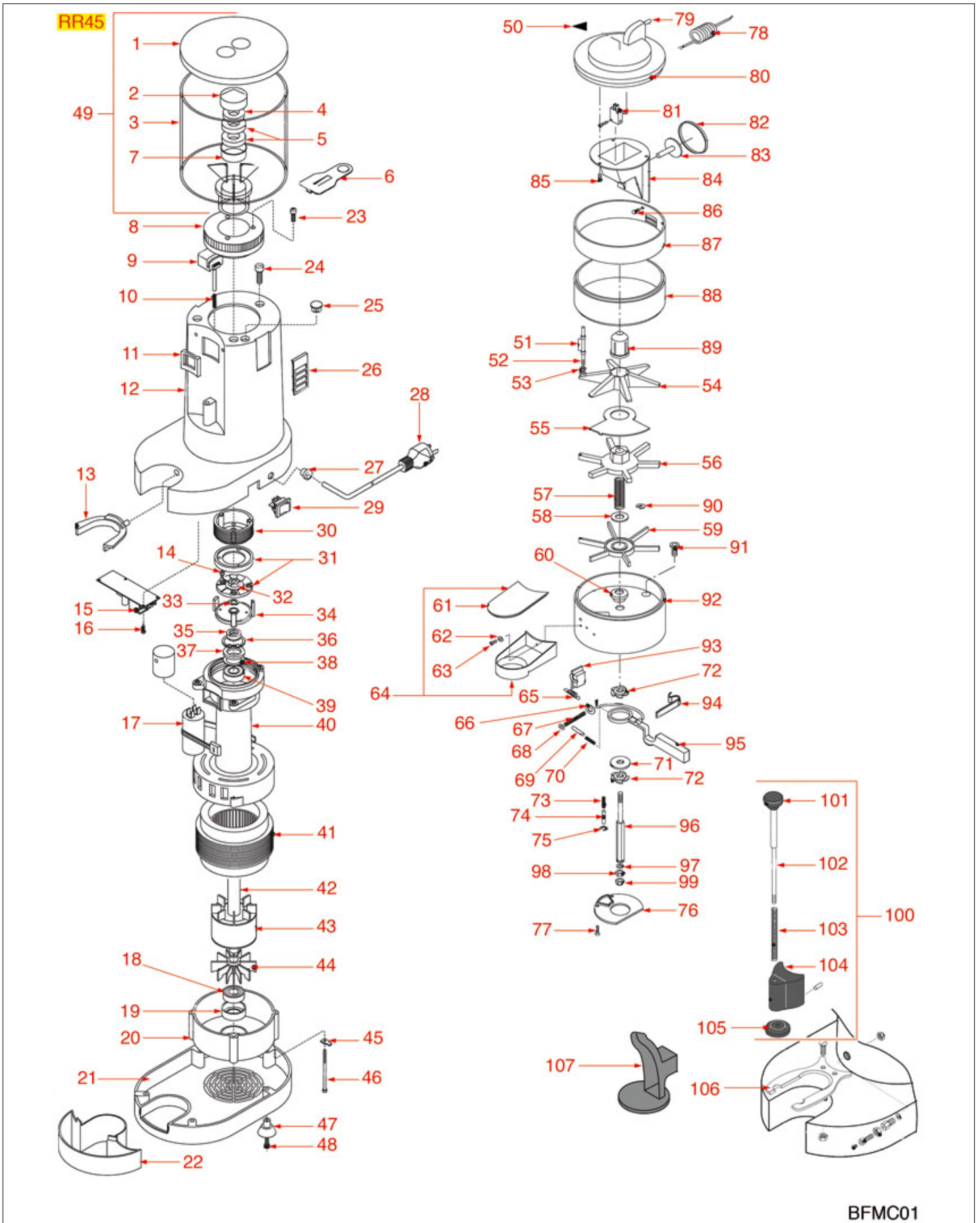
This catalogue is automatically generated.
Therefore, the sequence of the items might
not be always shown at best.
Updates will be issued in case of additions
and/or amendments.

Suitable universal spare parts may not be included





GRINDER ASSEMBLY RR45



BFMC01

Positions without LF code no.: upon request



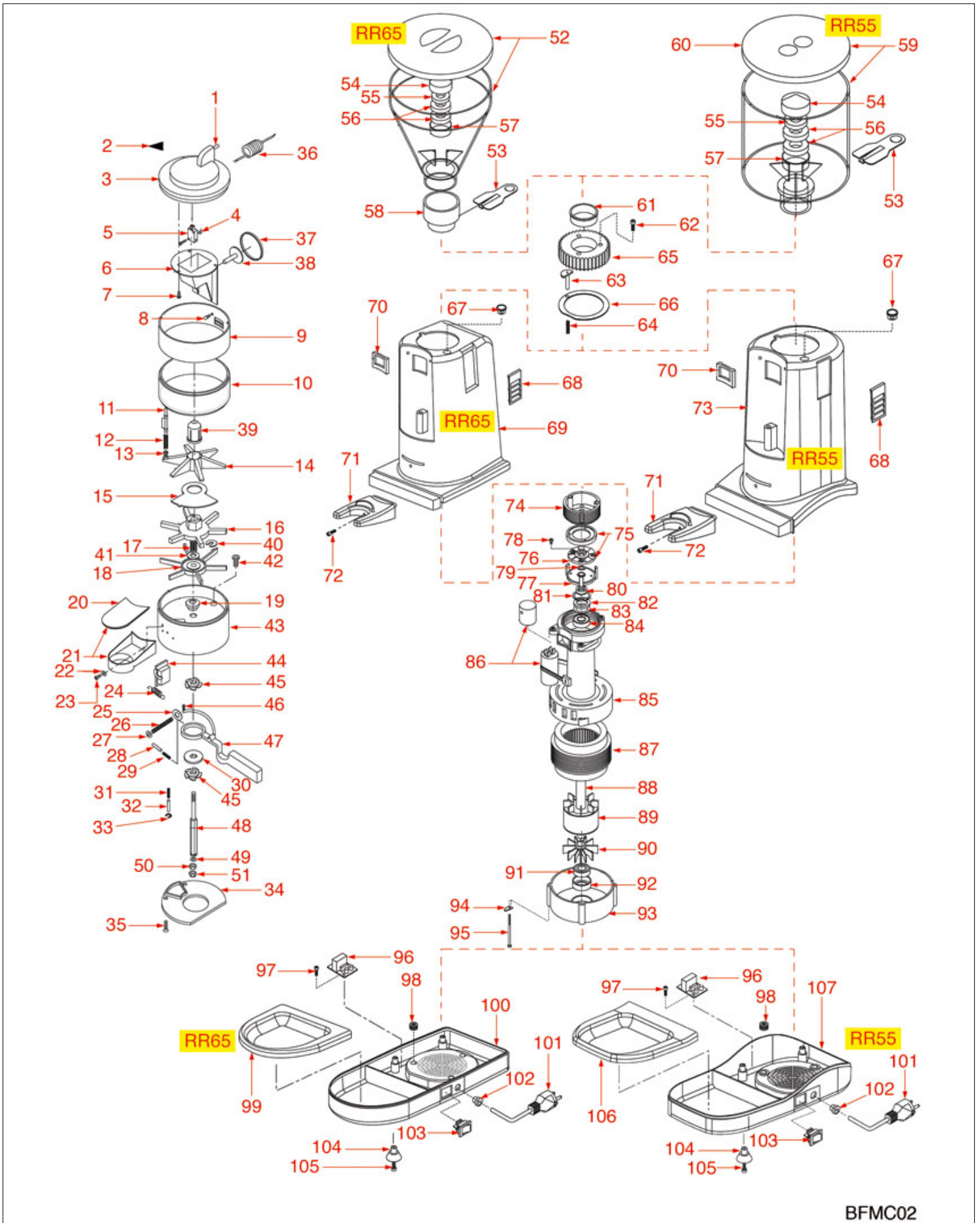
BRASILIA



Position	LF code no.	Description
13	1252582	FILTER HOLDER FORK
14	1528631	CYLINDER HEAD SCREW M4x8
15	1390003	RELAY BOARD
17	3068019	CAPACITOR DUCATI ENERGIA 12,5µF
29	3319019	BIPOLAR SWITCH RED 16A 250V
29	3319934	BIPOLAR SWITCH ORANGE 16A 250V
31	1251011	GRINDING BURRS ASTRAL-ROSSI (PAIR) LEFT
31	1251707	GRINDING BURRS PAIR ROSSI LH
52	1324933	SPRING SHAFT SEAT
63	1184012	CYLINDER HEAD SCREW M5x10
81	3240123	MICROSWITCH ROLD VRSRB1DA1
86	1528501	COUNTERSUNK HEAD SCREWS WITH SHELLM5x12
91	1528627	COUNTERSUNK FLAT HEAD SCREWS M8x20
93	1252470	COUNTER FOR COFFEE GRINDER/DOSER
102	1324932	PIN FOR MANUAL COFFEE TAMPER



GRINDER ASSEMBLY RR55-RR65



BFMC02

Positions without LF code no.: upon request



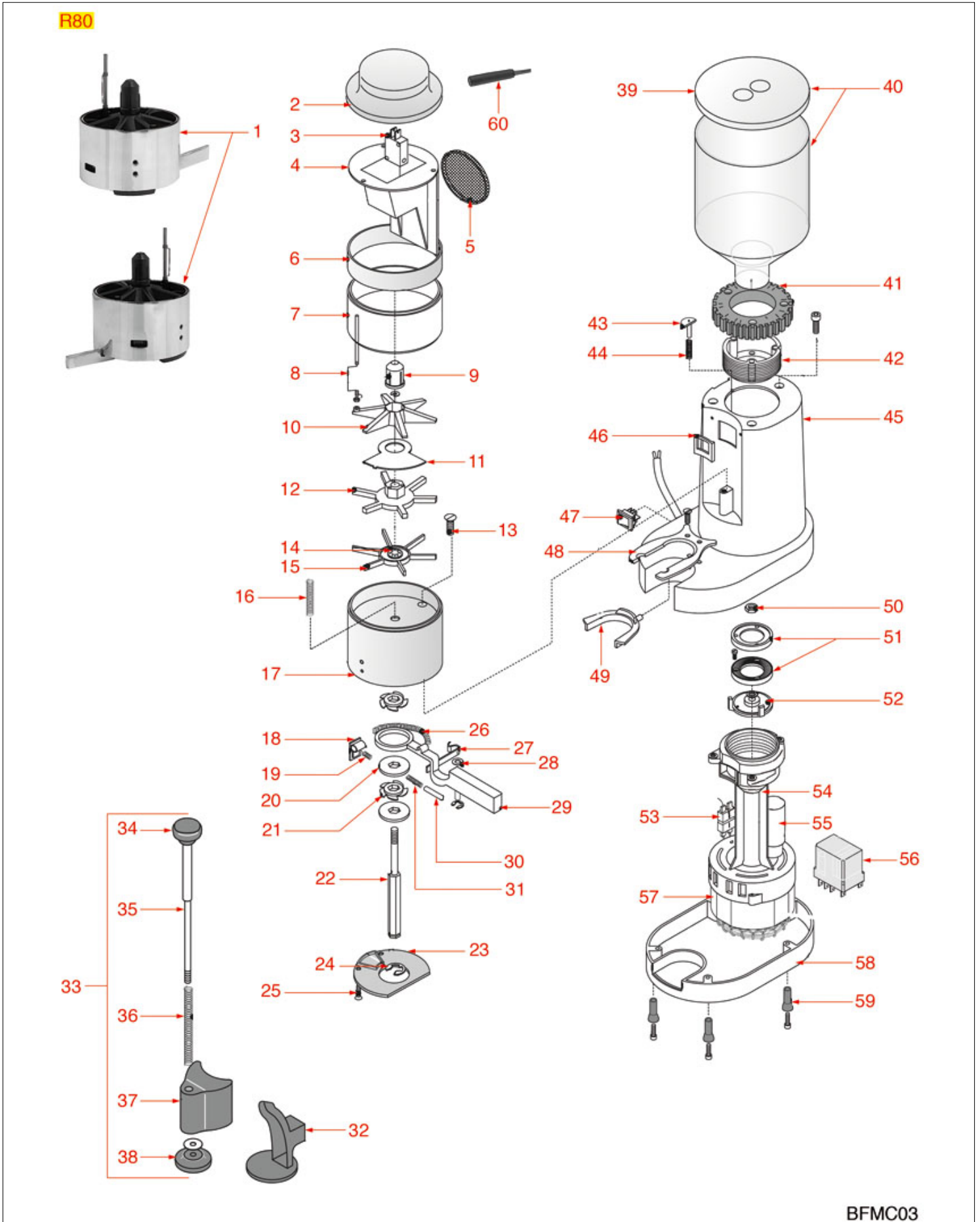
BRASILIA



Position	LF code no.	Description
5	3240123	MICROSWITCH ROLD VRSRB1DA1
8	1528501	COUNTERSUNK HEAD SCREWS WITH SHELLM5x12
12	1324933	SPRING SHAFT SEAT
23	1184012	CYLINDER HEAD SCREW M5x10
42	1528627	COUNTERSUNK FLAT HEAD SCREWS M8x20
44	1252470	COUNTER FOR COFFEE GRINDER/DOSER
65	1252583	ADJUSTMENT RING NUT
72	1528501	COUNTERSUNK HEAD SCREWS WITH SHELLM5x12
75	1251011	GRINDING BURRS ASTRAL-ROSSI (PAIR) LEFT
75	1251707	GRINDING BURRS PAIR ROSSI LH
78	1528631	CYLINDER HEAD SCREW M4x8
86	3068019	CAPACITOR DUCATI ENERGIA 12,5µF
96	1390003	RELAY BOARD
103	3319019	BIPOLAR SWITCH RED 16A 250V
103	3319934	BIPOLAR SWITCH ORANGE 16A 250V



GRINDER ASSEMBLY R80



BFMC03

Positions without LF code no.: upon request



BRASILIA

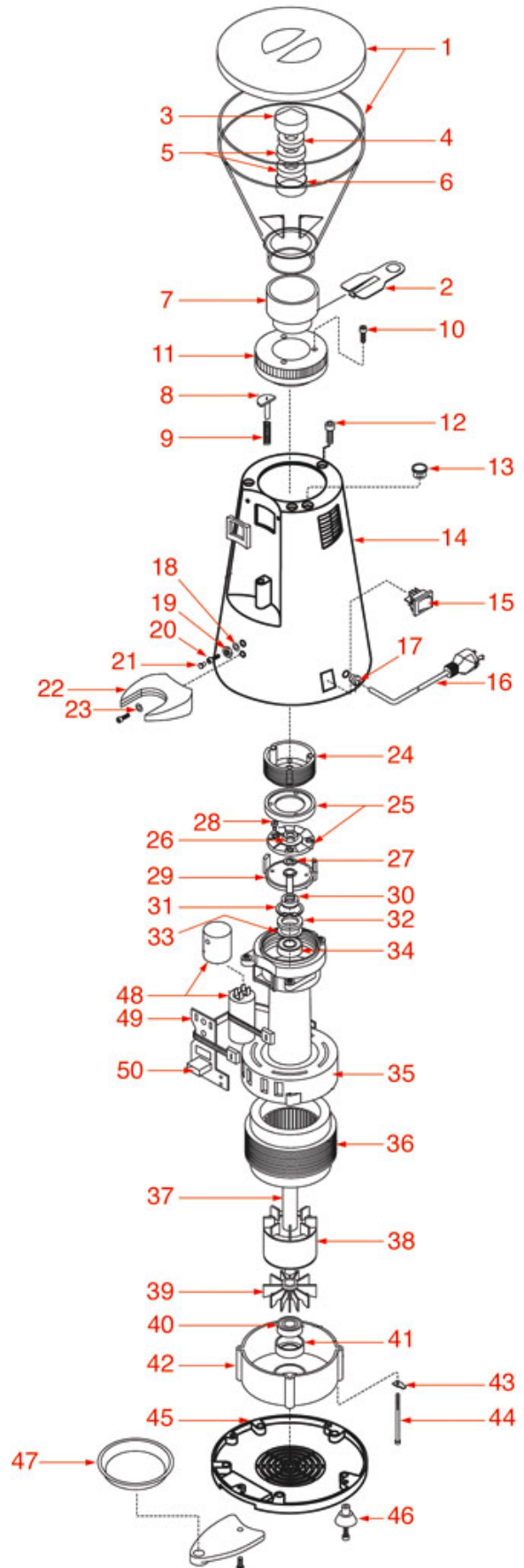
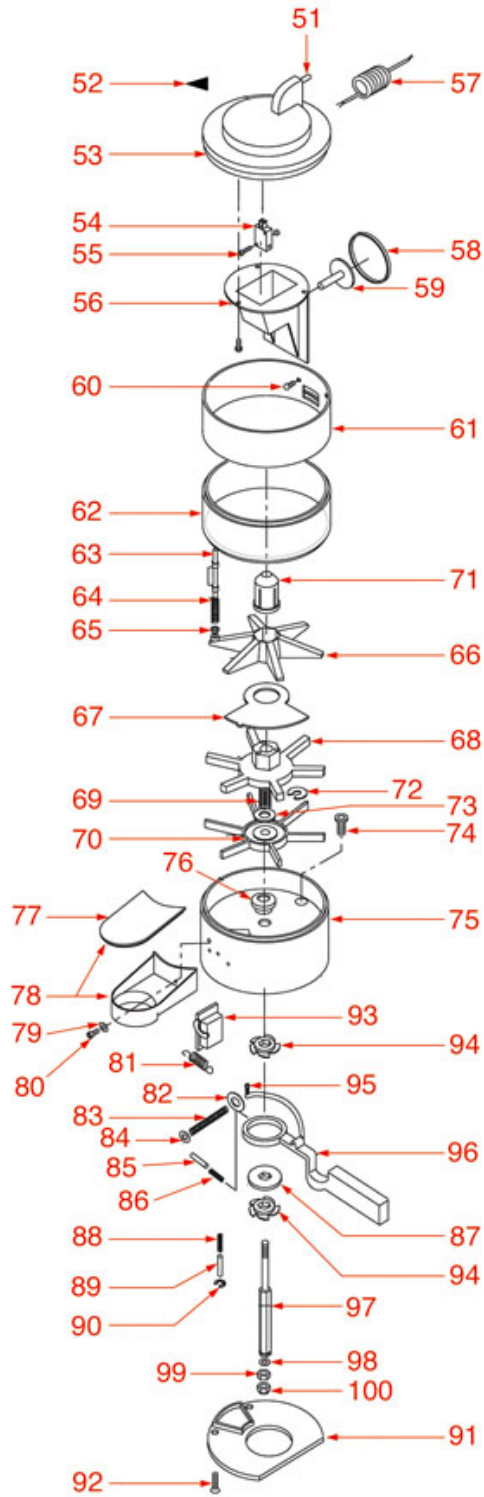


Position	LF code no.	Description
3	3240123	MICROSWITCH ROLD VRSRB1DA1
13	1528627	COUNTERSUNK FLAT HEAD SCREWS M8x20
18	1252470	COUNTER FOR COFFEE GRINDER/DOSER
35	1324932	PIN FOR MANUAL COFFEE TAMPER
41	1252583	ADJUSTMENT RING NUT
47	9006081	THREE-PHASE SWITCH 10A 380V
49	1252582	FILTER HOLDER FORK
51	1251011	GRINDING BURRS ASTRAL-ROSSI (PAIR) LEFT
51	1251707	GRINDING BURRS PAIR ROSSI LH
55	3068019	CAPACITOR DUCATI ENERGIA 12,5μF
56	1351008	POWER RELAY FINDER 60.33.8.230.0000
56	3351007	POWER RELAY FINDER 55.32.8.230.0040



GRINDER ASSEMBLY CC45

CC45



BFMC04



BRASILIA

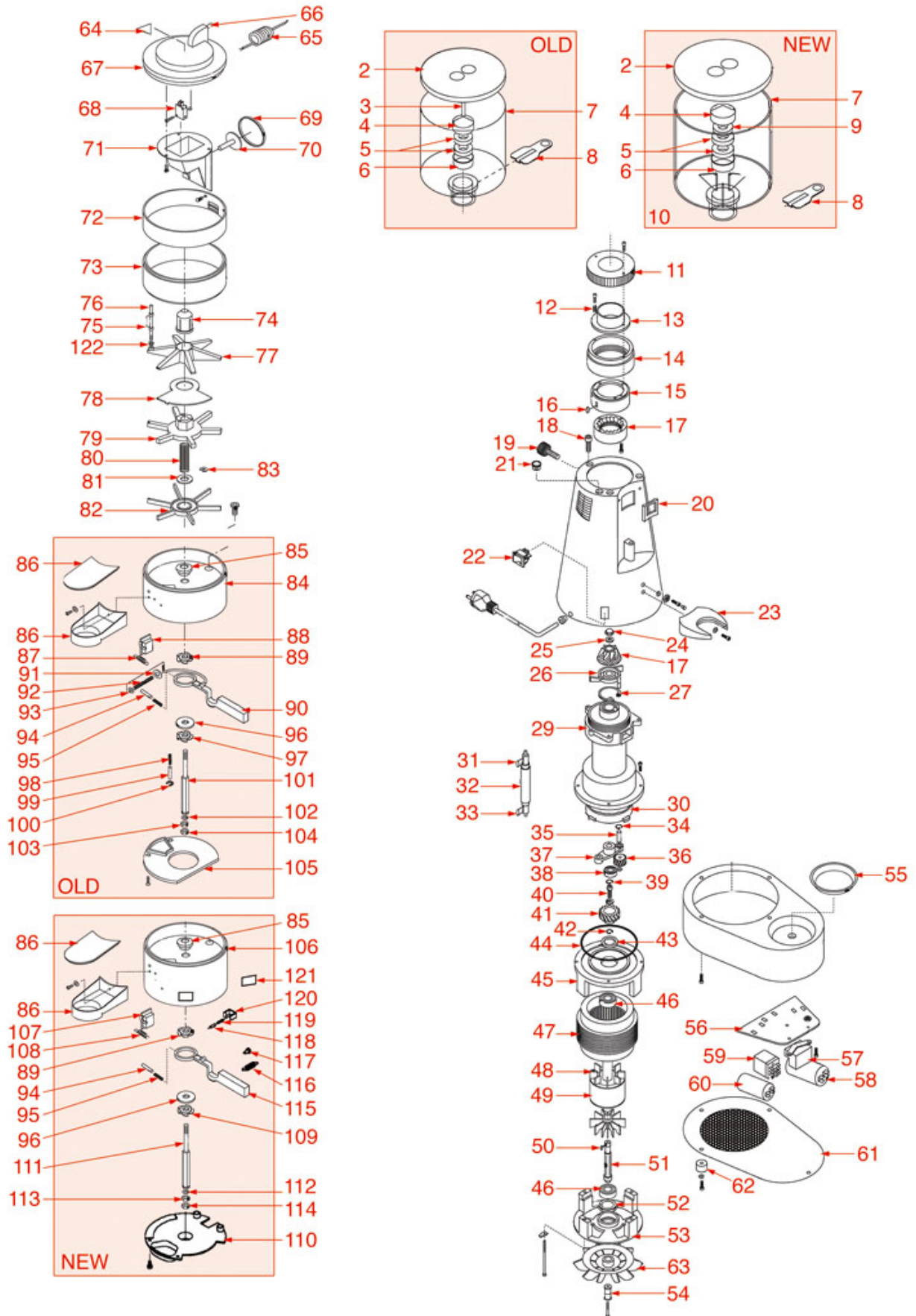


Position	LF code no.	Description
11	1252583	ADJUSTMENT RING NUT
15	3319019	BIPOlar SWITCH RED 16A 250V
15	3319934	BIPOlar SWITCH ORANGE 16A 250V
25	1251011	GRINDING BURRS ASTRAL-ROSSI (PAIR) LEFT
25	1251707	GRINDING BURRS PAIR ROSSI LH
28	1528631	CYLINDER HEAD SCREW M4x8
48	3068019	CAPACITOR DUCATI ENERGIA 12,5µF
50	1390003	RELAY BOARD
54	3240123	MICROSWITCH ROLD VRSRB1DA1
60	1528501	COUNTERSUNK HEAD SCREWS WITH SHELLM5x12
64	1324933	SPRING SHAFT SEAT
74	1528627	COUNTERSUNK FLAT HEAD SCREWS M8x20
80	1184012	CYLINDER HEAD SCREW M5x10
93	1252470	COUNTER FOR COFFEE GRINDER/DOSER



GRINDER ASSEMBLY MC

MC



BFMC05



BRASILIA

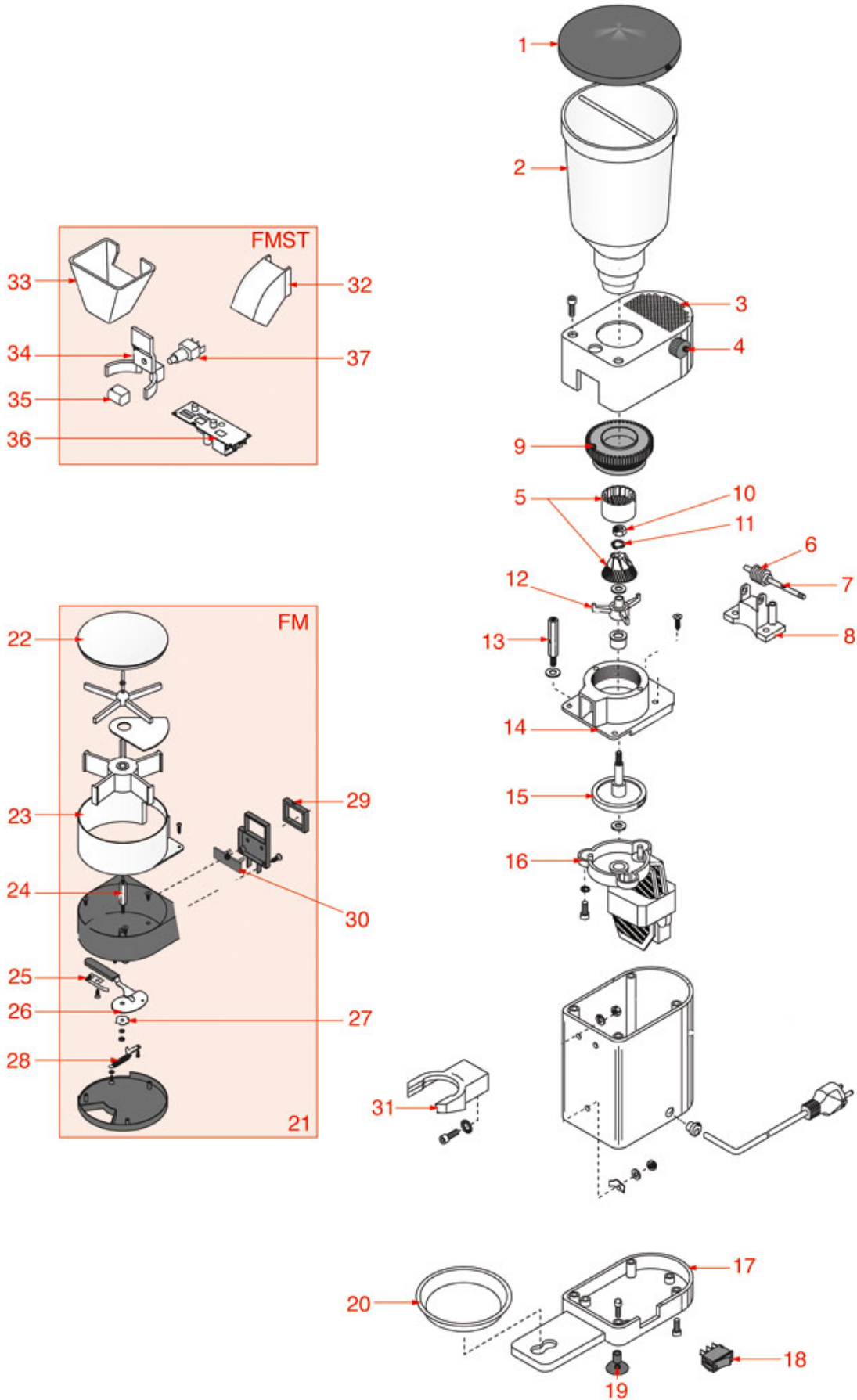


Position	LF code no.	Description
13	1252354	HOPPER SOCKET UNION
17	1251076	CONICAL GRINDING BURRS ROSSI (PAIR) RH
22	3319019	BIPOLAR SWITCH RED 16A 250V
22	3319934	BIPOLAR SWITCH ORANGE 16A 250V
41	1212011	PLANETARY GEAR
46	3063005	BEARING 6202 DDU NSK
59	3351007	POWER RELAY FINDER 55.32.8.230.0040
60	3068019	CAPACITOR DUCATI ENERGIA 12,5 μ F
68	3240123	MICROSWITCH ROLD VRSRB1DA1
76	1324933	SPRING SHAFT SEAT
88	1252470	COUNTER FOR COFFEE GRINDER/DOSER
116	1250123	DOSER LEVER RETURN SPRING
118	1252359	PAWL PIN



GRINDER ASSEMBLY FM

FM





BRASILIA

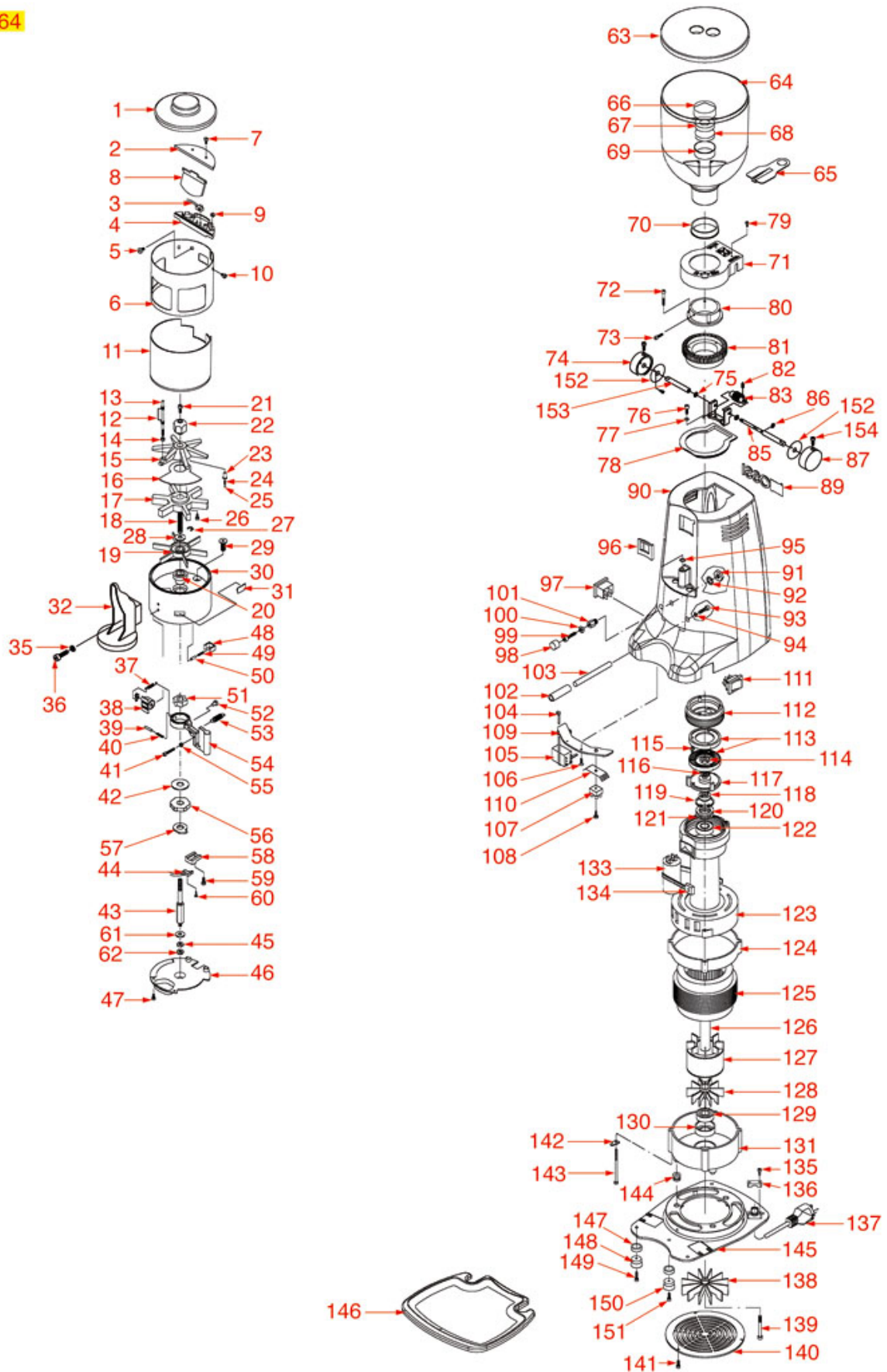


Position	LF code no.	Description
5	1251050	CONICAL GRINDING BURRS ROSSI (PAIR) RH



GRINDER ASSEMBLY MAC64

MAC64





BRASILIA



Position	LF code no.	Description
15	1343058	TOP STAR
16	1343055	DOSING SHEET
17	1343057	MIDDLE STAR
26	1528631	CYLINDER HEAD SCREW M4x8
29	1528627	COUNTERSUNK FLAT HEAD SCREWS M8x20
39	1252416	PIN FOR PAWL ø 4x14 mm
44	1240044	MICROSWITCH 0.1A 250V
53	1250123	DOSER LEVER RETURN SPRING
83	1252415	GRINDING ADJUSTMENT SCREW
85	1252414	ADJUSTMENT RING ROD
105	3351007	POWER RELAY FINDER 55.32.8.230.0040
111	3319019	BIPOLAR SWITCH RED 16A 250V
113	1251094	GRINDING BURRS PAIR ROSSI LH
115	1528631	CYLINDER HEAD SCREW M4x8
118	1252378	THREADED RING NUT 15MCx1
119	1250130	SEEGER RING J-35
121	1252376	COMPENSATION RING
122	3063005	BEARING 6202 DDU NSK
133	3068024	CAPACITOR DUCATI ENERGIA 16µF
141	1528631	CYLINDER HEAD SCREW M4x8
151	1528501	COUNTERSUNK HEAD SCREWS WITH SHELLM5x12



Suitable for:

BRASILIA



Suitable for:

Bearings

3063005 BEARING 6202 DDU NSK
external \varnothing 35mm - internal \varnothing 15mm - thickness 11mm



BRASILIA 05507.0.00.03

BRASILIA 11756.0.00.04

Brushes

1384023 BRUSH FOR CLEANING 50 mm



BRASILIA

1384001 BRUSH FOR COFFEE SHOWER



BRASILIA 19523.0.00.02

1384002 BRUSH FOR MAINTENANCE



BRASILIA

1384014 BRUSH FOR SHOWER RED



BRASILIA

Capacitors, electrical

3068019 CAPACITOR DUCATI ENERGIA 12,5 μ F
450V 50/60Hz
operating temperature -25 + 85°C
lead connection 6.35x0.8 mm
 \varnothing 36xh70 mm



BRASILIA 00602.0.00.08

BRASILIA 01897.2.00.08

3068024 CAPACITOR DUCATI ENERGIA 16 μ F
450V 50/60Hz
operating temperature -25 + 85°C
lead connector 6.35x0.8 mm
 \varnothing 36xh70 mm



BRASILIA 09406.2.00.08

3068027 CAPACITOR DUCATI ENERGIA 20 μ F
450V 50/60Hz
operating temperature -25 + 85°C
lead connector 6.35x0.8 mm
 \varnothing 40xh70 mm



BRASILIA 09405.2.00.08

3068081 CAPACITOR ELECTRICAL 12.5 μ F
450V 50/60Hz - \varnothing 35xh71 mm



BRASILIA 00602.0.00.08

BRASILIA 01897.2.00.08

Suitable for:

3068083 CAPACITOR ELECTRICAL 16 μ F
450V 50/60Hz - \varnothing 35xh71 mm



BRASILIA 09406.2.00.08

Suitable for:

3068084 CAPACITOR ELECTRICAL 20 μ F
450V 50/60Hz - \varnothing 40xh71 mm



BRASILIA 09405.2.00.08

Circlips

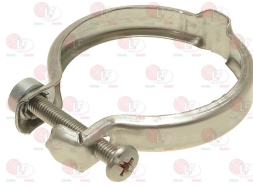
1250130 SEEGER RING J-35
in plated iron - external \varnothing 37.8 mm
UNI 7437 - DIN 472



BRASILIA 05504.0.00.03

Clamps

1168011 STAINLESS STEEL CLAMP FOR FLANGE PUMP



BRASILIA 02223.0.00.03

Coffee measuring spoons

1069001 PLASTIC MEASURING SPOON 20 ml



BRASILIA 00782.0.00.02

1069002 STAINLESS STEEL MEASURING SPOON 20 ml



BRASILIA

Containers for coffee

1080249 HOPPER ROSSI COMPLETE
for Grinder-dispenser (BRASILIA) MC - RR45 - RR55
RR65 - R80



BRASILIA 01161.4.00.09

BRASILIA 12043.4.00.09

BRASILIA 12043.8.00.09

BRASILIA 19937.0.00.02



Suitable for:

BRASILIA



Suitable for:

Counters

- 1252470 COUNTER FOR COFFEE GRINDER/DOSER**
for dosing grinders with dosing lever on the right



BRASILIA 01986.2.00.08

Dosers for coffee

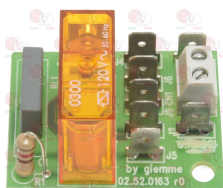
- 1324933 SPRING SHAFT SEAT**



BRASILIA 08612.0.00.04

Electronic printed-circuit boards

- 1390003 RELAY BOARD**
for Grinder-dispenser (BRASILIA) CC45 - RR45
RR55 - RR65



BRASILIA 11051.2.00.08

Forks for portafilter coffee grinder

- 1252582 FILTER HOLDER FORK**
for Grinder-dispenser (BRASILIA) RR45 - R80



BRASILIA 00798.0.00.02

Gears

- 1212011 PLANETARY GEAR**
for Grinder-dispenser (BRASILIA) MC



BRASILIA 13957.0.00.04



Grinders

1251050 CONICAL GRINDING BURRS ROSSI (PAIR) RH
 external \varnothing 38/30 mm - internal \varnothing 26/7 mm
 thickness 17/20,3 mm
 for Grinder-dispenser (BRASILIA) FM



BRASILIA 13659.3.00.04

1251076 CONICAL GRINDING BURRS ROSSI (PAIR) RH
 external \varnothing 68/49 mm - internal \varnothing 41/13 mm
 thickness 25 mm - 4 mounting holes
 inner groove for feather key
 for Grinder-dispenser (BRASILIA) MC



BRASILIA 03603.3.00.04

1251016 GRINDING BURRS (PAIR) ROSSI LEFT
 external \varnothing 50 mm - internal \varnothing 31 mm
 thickness 8.5 mm - 3 mounting holes
 for Grinder-dispenser (BRASILIA) BFD



BRASILIA 00059.3.00.04

1251011 GRINDING BURRS ASTRAL-ROSSI (PAIR) LEFT
 external \varnothing 64 mm - internal \varnothing 38 mm
 thickness 9 mm - 3 fixing holes
 for Grinder-dispenser (BRASILIA) CC45 - RR45
 RR55 - RR65 - R80



BRASILIA 00058.2.00.04

BRASILIA 00058.3.00.04

1251017 GRINDING BURRS BRASILIA (PAIR) LEFT
 external \varnothing 63 mm - internal \varnothing 37 mm
 thickness 9 mm - 3 fixing holes
 for Grinder-dispenser (BRASILIA) VIP



BRASILIA 05617.3.00.04

1251094 GRINDING BURRS PAIR ROSSLH
 external \varnothing 63.5 mm - internal \varnothing 38 mm
 thickness 9 mm - 3 mounting holes
 for Grinder-dispenser (BRASILIA) MAC64



BRASILIA 19164.3.00.04

1251707 GRINDING BURRS PAIR ROSSLH
 BURRS "HEAVY DUTY" - duration increased by 70%
 compared to a standard grinding burr
 they do not deform
 lower contamination of ground coffee
 external \varnothing 63,5 mm - internal \varnothing 38 mm
 thickness 9 mm - 3 fixing holes



BRASILIA



Suitable for:

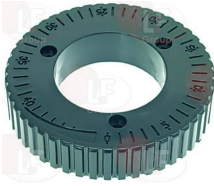
BRASILIA



Suitable for:

Grinding burr holders

1252583 ADJUSTMENT RING NUT
for Grinder-dispenser (BRASILIA) CC45 - RR55
RR65 - R80



BRASILIA 00796.0.00.02

1252354 HOPPER SOCKET UNION
for Grinder-dispenser (BRASILIA) MC



BRASILIA 11505.0.00.01

1252378 THREADED RING NUT 15Mx1
for Grinder-dispenser (BRASILIA) MAC64



BRASILIA 05351.0.00.04

Ironmongery (screws,nuts,washers)

1252414 ADJUSTMENT RING ROD



BRASILIA 19968.0.00.04

1252376 COMPENSATION RING
for Grinder-dispenser (BRASILIA) RR45



BRASILIA 05506.0.00.03

BRASILIA 20093.0.00.03

1528627 COUNTERSUNK FLAT HEAD SCREWS M8x20
hexagon socket - stainless steel
UNI 5933 - DIN 7991 - ISO 10642



BRASILIA 01313.0.00.03

1528501 COUNTERSUNK HEAD SCREWS WITH SHELL M5x12
cross recessed - stainless steel
UNI 7689 - DIN 966 - ISO 7047



BRASILIA 01242.0.00.03

BRASILIA 12912.0.00.03

1528631 CYLINDER HEAD SCREW M4x8
stainless steel - cross recessed
UNI 7687 - DIN 7985 - ISO 7045



BRASILIA 07079.0.00.03

BRASILIA 20096.0.00.03

1184012 CYLINDER HEAD SCREW M5x10
stainless steel - with hexagon socket
UNI 9327 - DIN 7984



BRASILIA 01247.0.00.03

Suitable for:

1348025 HEXAGONAL NUT M3
brass - UNI 5587 - ISO 4033



BRASILIA 01263.0.00.03

Suitable for:

1528632 TAPERED END PIN M5x6
stainless steel - cone edge- slotted
UNI 6117 - DIN 533 - ISO 7434



BRASILIA 10945.0.00.03

Knobs

1241542 KNOB SELECTOR SWITCH BLACK \varnothing 33 mm
hole for square pin 5x5 mm
for selector switch



BRASILIA

Microswitches, mechanical

3240123 MICROSWITCH ROLD VRSRB1DA1
16A 250V



BRASILIA 00751.2.00.08

1240044 MICROSWITCH 0.1A 250V
for Grinder-dispenser (BRASILIA) MAC64



BRASILIA 20035.2.00.08

3240410 MICROSWITCH 16(4)A 250V



BRASILIA 00654.2.00.08

3240236 LIMIT SWITCH CONTROL



3240203 BUSHING DOOR MICROSWITCH
external \varnothing 10x15 mm



3240234 LIMIT SWITCH PIN





Suitable for:

3240233 MICROSWITCH FITTING M16x1.5 mm



BRASILIA



Suitable for:

3250071 MICROSWITCH SPRING \varnothing 13x25 mm



3240235 RING NUT M16x1.5 mm



O-Ring and ORM gaskets

1186421 O-RING 02018 EPDM



BRASILIA 00831.0.00.02

BRASILIA 01428.0.00.02

1186352 O-RING 02050 EPDM



BRASILIA 01370.0.00.02

1186223 O-RING 02056 EPDM



BRASILIA 01389.0.00.02

Pins

1252415 GRINDING ADJUSTMENT SCREW
for Grinder-dispenser (BRASILIA) MAC64



BRASILIA 19965.0.00.04

1252359 PAWL PIN



BRASILIA 18200.0.00.04

1252416 PIN FOR PAWL \varnothing 4x14 mm

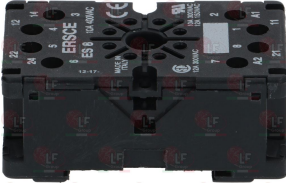


BRASILIA 19690.0.00.04



Relays

3351154 BASE OCTAL ES8 10A 400V
8 poles



BRASILIA 01810.2.00.08

3351007 POWER RELAY FINDER 55.32.8.230.0040
230V 50/60Hz
2 exchange contacts 10A
with to test push-button + mechanic gauge



BRASILIA 01955.2.00.08

1351008 POWER RELAY FINDER 60.33.8.230.0000
230V 50/60Hz
3 changeover contacts 10A
for Grinder-dispenser (BRASILIA) R80



BRASILIA 01955.2.00.08

Springs

1250123 DOSER LEVER RETURN SPRING
for BRASILIA MC-MAC64
for ROSSI MC-MAC64



BRASILIA

1250548 SPRING \varnothing 11x58 mm INFUSION
for delivery group



BRASILIA 03788.0.00.03

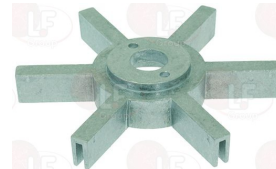
Stars and spare parts

1343055 DOSING SHEET



BRASILIA 20061.0.10.01

1343057 MIDDLE STAR
for Grinder-dispenser (BRASILIA) MAC64



BRASILIA 20134.0.00.02

1343058 TOP STAR
for Grinder-dispenser (BRASILIA) MAC64



BRASILIA 20135.0.00.02



Suitable for:

BRASILIA



Suitable for:

Switches

3319934 BIPOLAR SWITCH ORANGE 16A 250V
 16(4)A 250V - max. temperature 120°C
 with indicator lamp - silk screen printing 0 - I
 mounting hole 22x30 mm
 for Grinder-dispenser (BRASILIA) CC45 - MC - RR45
 RR55 - RR65



BRASILIA 03632.2.00.08

3319779 BLOCK CONNECTIONS BLACK 22x30 mm



3319783 FRAME SAFETY 4 SIDES BLACK 22x30 mm



3319019 BIPOLAR SWITCH RED 16A 250V
 16(4)A 250V - max. temperature 120°C
 with indicator lamp - mounting hole 22x30 mm
 for Coffee grinder (BRASILIA) CC45 - MAC64 - MC
 RR45 - RR55 - RR65



BRASILIA 03632.2.00.08

3319779 BLOCK CONNECTIONS BLACK 22x30 mm



3319780 BLOCK CONNECTION WHITE 22x30 mm



3319782 FRAME SAFETY 2 SIDES BLACK 22x30 mm



3319501 PUSH-BUTTON PROTECTION CAP
 external dimensions 29x36 mm
 for switches with mounting hole 22x30 mm



3319780 BLOCK CONNECTION WHITE 22x30 mm



3319782 FRAME SAFETY 2 SIDES BLACK 22x30 mm





Suitable for:

3319783 FRAME SAFETY 4 SIDES BLACK 22x30 mm



BRASILIA



Suitable for:

3319501 PUSH-BUTTON PROTECTION CAP
external dimensions 29x36 mm
for switches with mounting hole 22x30 mm



1319005 BIPOLAR SWITCH 16A 250V



BRASILIA VEINTCMBIP.08

3319294 BLACK BIPOLAR SWITCH 16A 250V
16(4)A 250V - with red led indicator light
mounting hole 22x30 mm



3319501 PUSH-BUTTON PROTECTION CAP
external dimensions 29x36 mm
for switches with mounting hole 22x30 mm



BRASILIA 08474.2.00.08

1319464 ORANGE BIPOLAR SWITCH 16A 250V
16(4)A 250V - with indicator lamp
mounting hole \varnothing 25 mm



9006081 THREE-PHASE SWITCH 10A 380V
for Grinder-dispenser (BRASILIA) R80



BRASILIA 01975.2.00.08

BRASILIA 01976.2.00.08

BRASILIA 00750.2.00.08

Tampers for coffee

1385002 NYLON COFFEE TAMPER \varnothing 50/57 mm



BRASILIA 00779.0.00.02

1324932 PIN FOR MANUAL COFFEE TAMPER



BRASILIA 04658.0.00.04

The data herewith contained may change without notice and LF SpA cannot be held responsible for possible errors stated or resulting by the use of this document. All rights reserved. No part of this publication may be reproduced without written permission by LF SpA.



Distributing Components, Spare Parts & Accessories in original quality worldwide

-
- LF SpA HEADQUARTERS**
via Voltri, 80 - 47522 Cesena (FC) ITALY
Tel. +39 0547 34 11 11 - Fax +39 0547 34 11 10
www.lfricambi724.it - info@lfricambi.it
Export Dept. Tel. +39 0547 34 11 50 - Fax +39 0547 34 11 55
www.lfspareparts724.com - export@lfspareparts.com
- LF SpA HOUSEHOLD COMPONENTS DIVISION**
Via Padriciano, 99 - AREA Science Park - 34149 Trieste (TS) ITALY
Tel. +39 0547 34 12 42 - Fax +39 0547 34 12 48
www.lfspareparts724.com - info@lfspareparts.com
- EPGC Sas FRANCE**
13, Rue des Forts - 59960 Neuville en Ferrain
Tel. +33 (0)3 20 25 06 21 - Fax +33 (0)3 20 25 34 12
www.epgc.com - epgc@epgc.com
- LF GmbH GERMANY**
Junkersstrasse, 3 - D-82178 Puchheim - München
Tel. +49 89 89 45 78 66 - Fax +49 89 89 45 78 88
www.lfersatzteile724.de - info@lfersatzteile.de
- LF China REPUBLIC OF CHINA**
Room 403, No.2, Huadu Mansion, Lane 422, Huanghua Rd.
Minhang Dist. - 201103 Shanghai
Tel. +86 (0)21 33 53 66 31 - Fax +86 (0)21 33 53 66 32
www.lfspareparts724.com - china@lfspareparts.com
- OOO LF RUSSIAN FEDERATION**
Ul. Anatoliya Zhivova, 8 - office 1 - 123100 Moscow
Tel./Fax +7 495 725 26 53
www.lfspareparts724.ru - info@lfspareparts.ru
- LF Repuestos Horeca S.L.U. SPAIN**
Poligono Industrial Carpetania - C/Miguel Faraday, 8 - 28906 Getafe
Tel. +34 91 477 91 00 - Fax +34 91 477 90 81
www.lfrepuestos-horeca724.es - info@lfrepuestos.es
- LF Scandinavia Aps - LF Spareparts S.p.A. DENMARK**
Nupark, 51 - 7500 Holstebro
Tel. +45 70 70 77 33
www.lfspareparts724.dk - denmark@lfspareparts.dk
- LF SpA Cesena (IT) Swiss Branch Steinhausen SWITZERLAND**
Sennweidstrasse, 45 - CH-6312 Steinhausen
Tel. +41 (0)41 760 15 80/1 - Fax +41 (0)41 760 15 85
www.lfersatzteile724.ch - info@lfersatzteile.ch
- LF Spare Parts Ltd. UNITED KINGDOM**
A10a Lakeside Business Park, Broadway Lane
South Cerney, Gloucestershire GL7 5XL
Tel. +44 (0)1285 86 16 25 - Fax +44 (0)1285 86 39 49
www.lfspareparts724.co.uk - info@lfspareparts.co.uk
- LF Central Est Europe S.r.o. CZECH REPUBLIC**
Antala Staska 1859/34
14000 Praha 4 - KRC
Tel. +420 730 156 910
www.lfspareparts724.cz - info@lfspareparts.cz
- LF SPARE PARTS INC. USA**
Legal address:
155 Office Plaza Dr - Suite A - Tallahassee, FL 32301
Business/Mailing address:
1100 South Tower, 225 Peachtree St., N.E. - Atlanta, GA 30303, USA
Tel. +1-404-525-2600 - Fax +1-404-586-3528
www.lfspareparts724.us - info@lfspareparts.us
Tel. West Coast and Midwest: 206-349-1525 Sauro
Tel. East Coast and the Caribbean: 786-817-1764 Luis
-
- AUSTRALIA AND NEW ZEALAND**
www.lfspareparts724.com
andrea.calvio@lfspareparts.com
- AUSTRIA**
www.lfersatzteile724.at
info@lfersatzteile.at
- BALKAN COUNTRIES**
www.lfspareparts724.com
matija.ramov@lfspareparts.com
- BALTIC COUNTRIES**
www.lfspareparts724.com
inara.silina@lfspareparts.com
- LATIN AMERICA AND THE CARRIBEANS**
www.lfrepuestos-horeca724.es
export@lfrepuestos.es
- POLAND**
www.lfspareparts724.pl
info@lfspareparts.pl
- SOUTH KOREA**
www.lfspareparts724.com
fabio.doni@lfspareparts.com
- TURKEY**
www.lfyedekparca724.com
export@lfspareparts.com