



Spare parts for:

Bar equipment

Suitable for:

GAYC



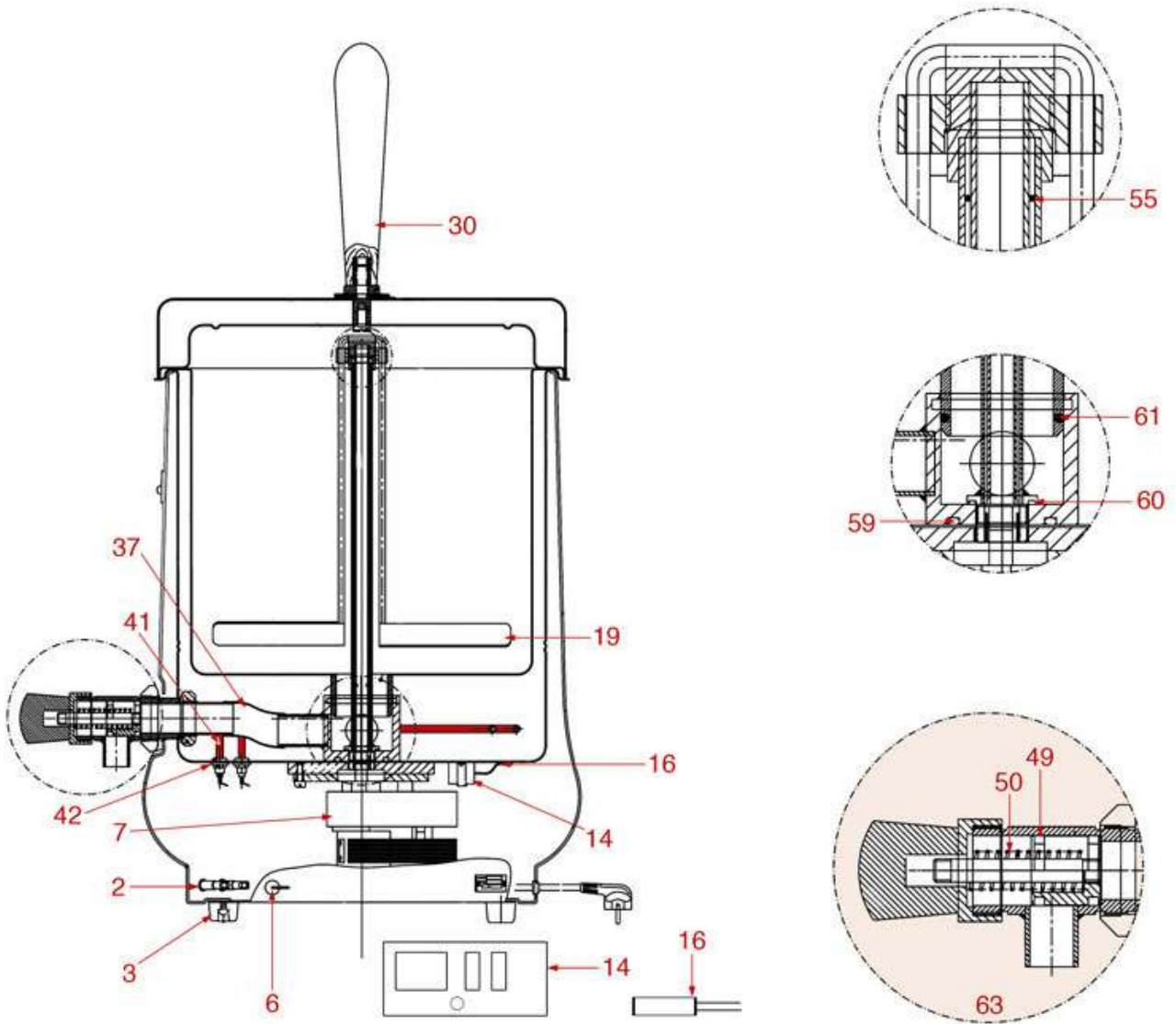
This catalogue is automatically generated.
Therefore, the sequence of the items might
not be always shown at best.
Updates will be issued in case of additions
and/or amendments.

Suitable universal spare parts may not be included





CHOCOLATE MAKER





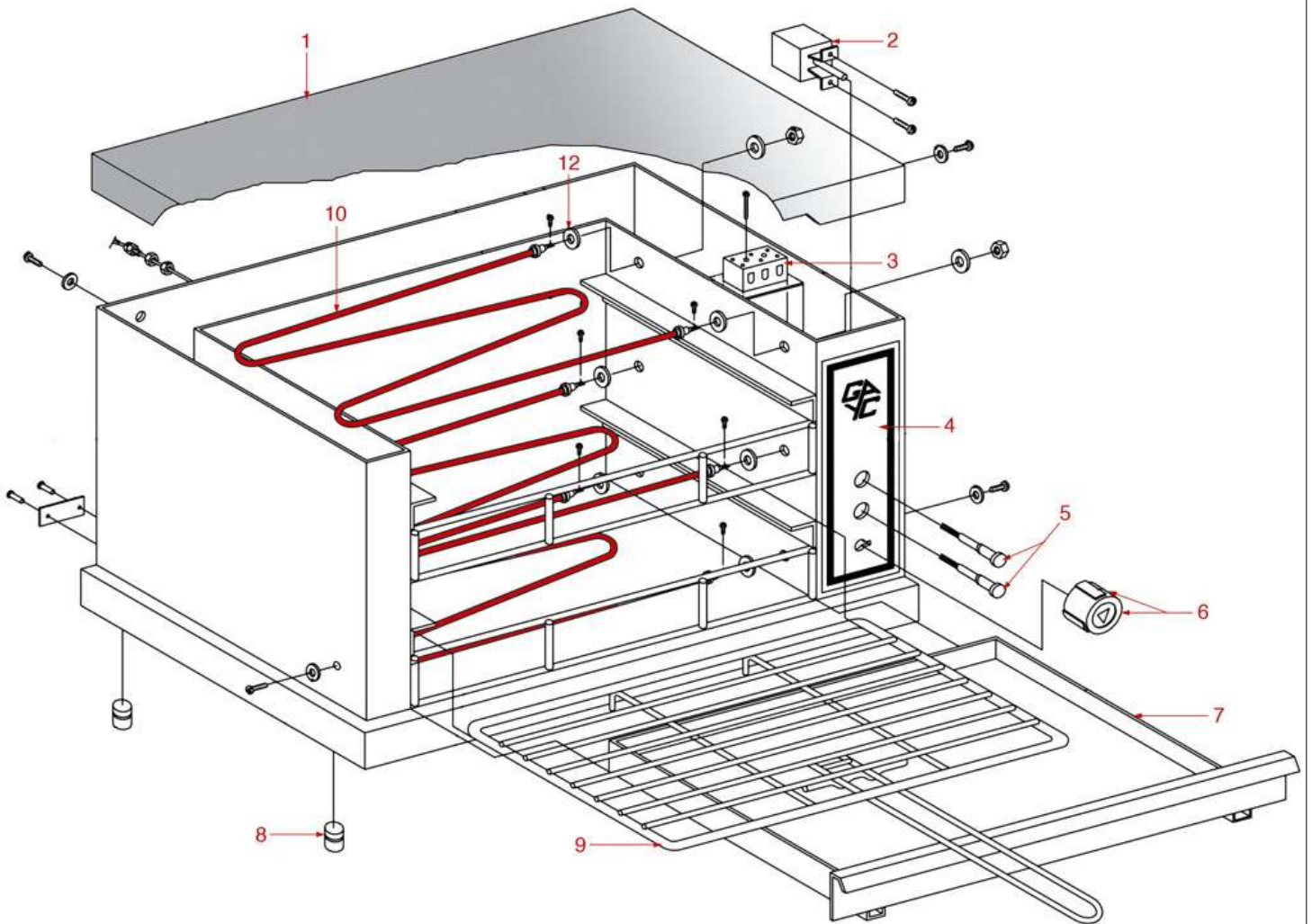
GAYC



Position	LF code no.	Description
2	3221302	RED INDICATOR LAMP 230V
2	3221324	GREEN INDICATOR LAMP 250V
30	1241068	KNOB FOR LID M8
41	3755641	HEATING ELEMENT 1000W 230V
42	1186580	FLAT GASKET \varnothing 22x12x1 mm
49	1186472	O-RING 04075 EPDM
55	1186411	O-RING 02031 EPDM
59	3243142	O-RING 04118 EPDM
60	3186440	O-RING 02075 EPDM
61	3186197	O-RING 04150 EPDM



TOASTER



GY02



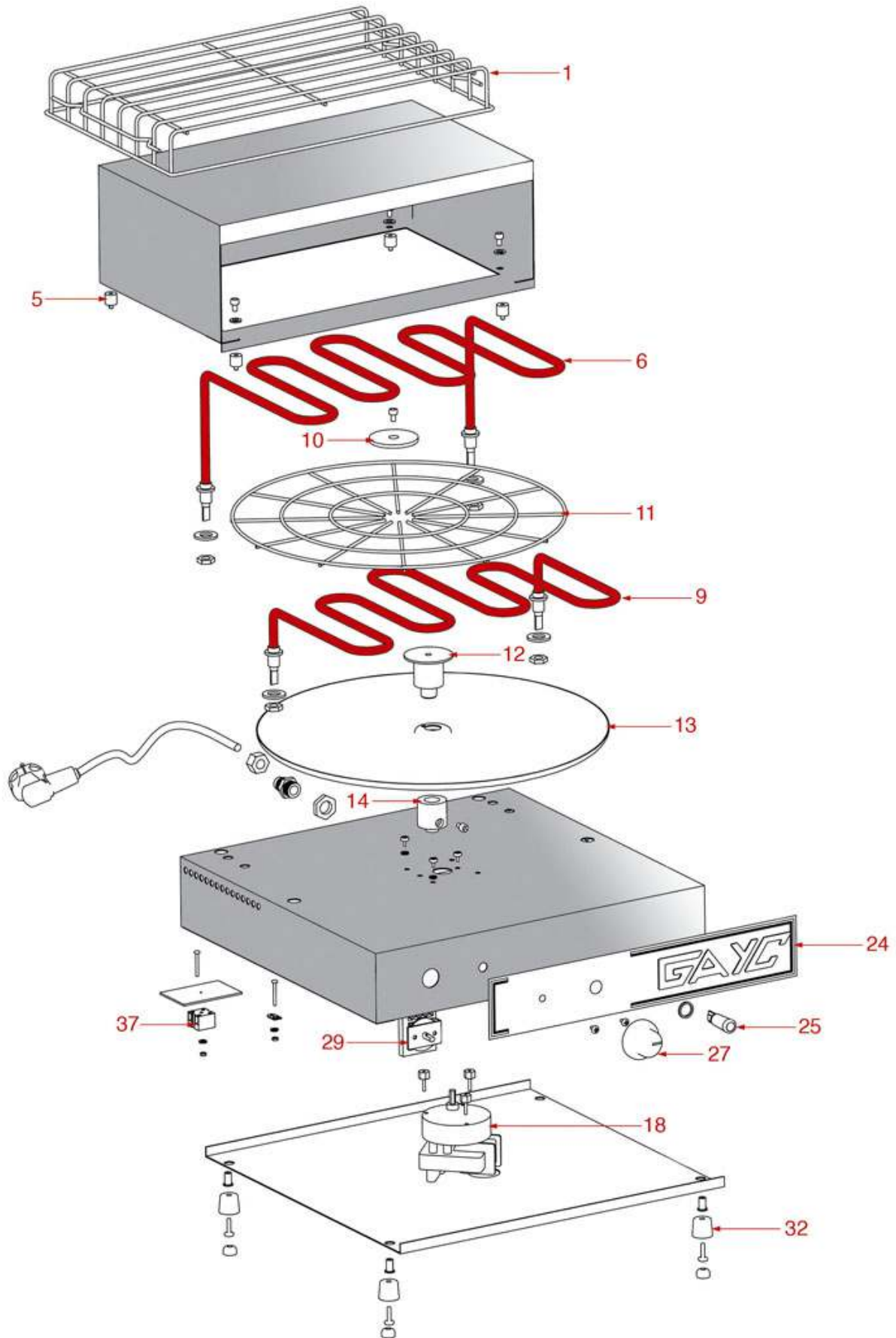
GAYC



Position	LF code no.	Description
5	3221323	RED INDICATOR LAMP 250V
10	3755639	HEATING ELEMENT 1150W 220V



ROTARY TOASTER





GAYC



Position	LF code no.	Description
6	3755643	TOP HEATING ELEMENT 900W 230V
9	3755644	BOTTOM HEATING ELEMENT 900W 230V
25	3221323	RED INDICATOR LAMP 250V
32	3313024	RUBBER FOOT
37	3247003	2-POLE CERAMIC TERMINAL BLOCK



Suitable for:

GAYC



Suitable for:

Feet

3313024 RUBBER FOOT
thickness 18 mm



GAYC 14320180

GAYC 18023820

Gaskets and seals

1186580 FLAT GASKET \varnothing 22x12x1 mm



GAYC 14415310

1186411 O-RING 02031 EPDM



GAYC 14441440

3186440 O-RING 02075 EPDM



GAYC 14441430

1186472 O-RING 04075 EPDM



GAYC 14441400

3243142 O-RING 04118 EPDM



GAYC 14441420

3186197 O-RING 04150 EPDM



GAYC 14441410

Heating elements

3755644 BOTTOM HEATING ELEMENT 900W 230V
length 165 mm - width 325 mm
height 50 mm



GAYC 12420080

GAYC 12507140

3755641 HEATING ELEMENT 1000W 230V
external \varnothing 185 mm - couplings \varnothing 12 mm
for Chocolate maker electric (GAYC)



GAYC 12430300

GAYC 12503050



Suitable for:

3755639 HEATING ELEMENT 1150W 220V
length 370 mm - width 200 mm
fittings \varnothing 1/4"
for Toaster electric (GAYC)



GAYC 12420100

GAYC 12507020

Suitable for:

3755643 TOP HEATING ELEMENT 900W 230V
length 200 mm - width 325 mm
height 120 mm



GAYC 12420060

Knobs

1241068 KNOB FOR LID M8



GAYC 13650100

GAYC 13653120

Lamps

3221324 GREEN INDICATOR LAMP 250V
head \varnothing 10 mm - hole \varnothing 9 mm - 120°C
wire connection length 200 mm
for FRYER



GAYC 12220220

3221302 RED INDICATOR LAMP 230V
head \varnothing 10 mm - hole \varnothing 9 mm
wire connection length 200 mm



GAYC 12220200

3221323 RED INDICATOR LAMP 250V
head \varnothing 14 mm - hole \varnothing 13 mm
for SALAMANDER-TOASTER-ROTARY TOASTER
for OVEN G2



GAYC 12220280

GAYC 12301250



Suitable for:

GAYC



Suitable for:

Piezo ignitors

3001020 PIEZO IGNITER 10015
 18 mm \varnothing mounting hole
 2.4 mm \varnothing male faston connector



GAYC 12410100

5035512 WATERTIGHT PIEZO CAP
 of silicone rubber



Terminal blocks

3247003 2-POLE CERAMIC TERMINAL BLOCK
 for cable max 2.5 mm²
 operating temperature 300°C
 nominal voltage 450V
 dimensions 20x21x18 mm



GAYC 12150200

3247004 3-POLE CERAMIC TERMINAL BLOCK
 for cable max 2.5 mm²
 operating temperature 300°C
 nominal voltage 450V
 dimensions 33x18x15 mm



GAYC 12150240

Thermostats

3444007 THERMOSTAT TR2 0-300°C
 D-shaped pin \varnothing 6x4.6 mm
 capillary length 1500 mm - 15A 250V
 bulb \varnothing 3.5x190 mm



GAYC 12410300

GAYC 12411020