



Spare parts for:

Bar equipment



Suitable for:

FAMA



This catalogue is automatically generated.
Therefore, the sequence of the items might
not be always shown at best.
Updates will be issued in case of additions
and/or amendments.

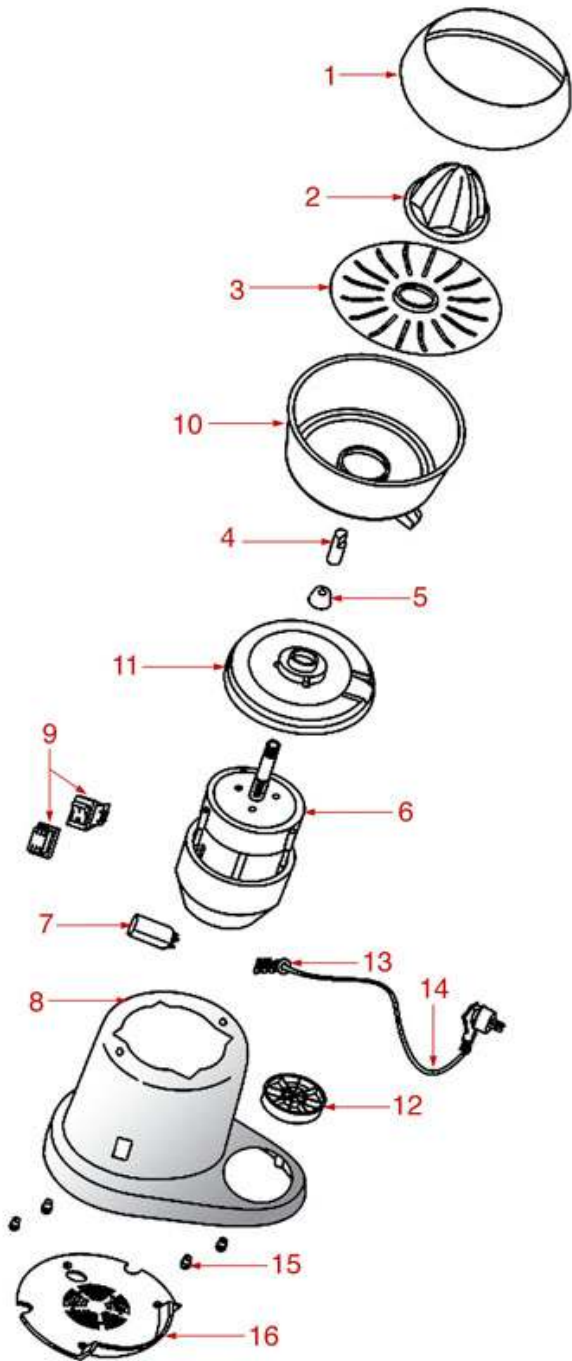
Suitable universal spare parts may not be included



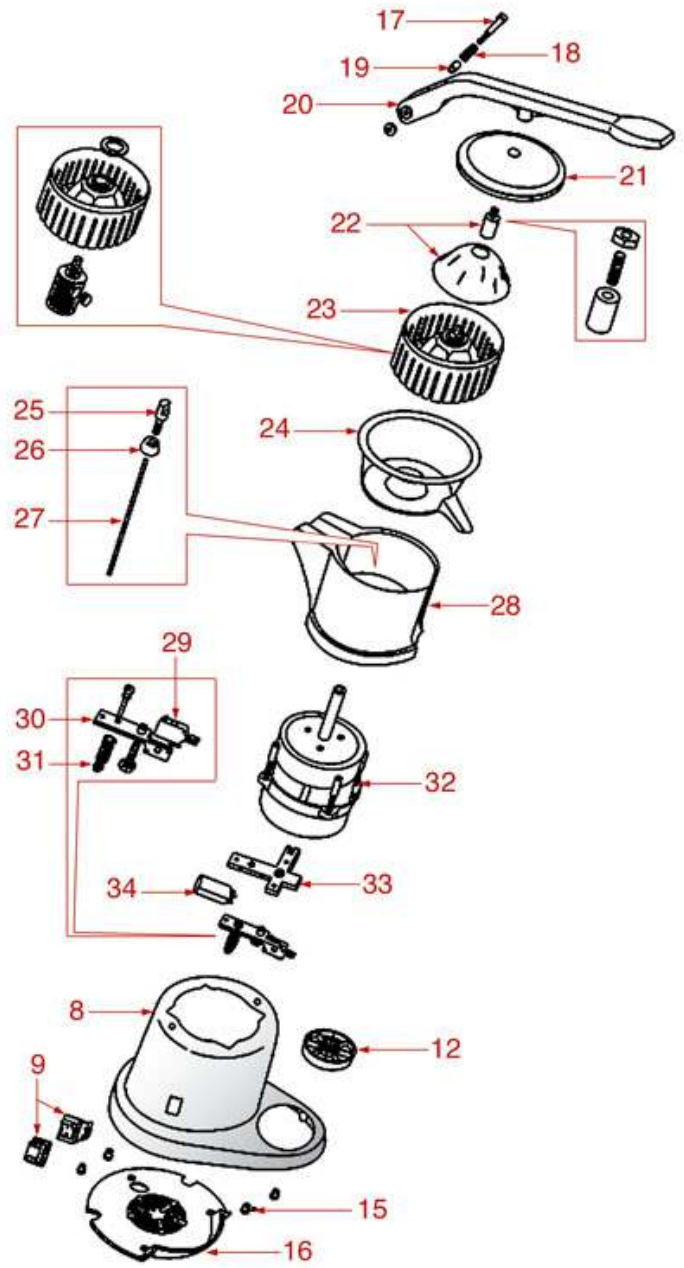


CITRUS SQUEEZER MSE-MSP-MSP2

MSE - MSP



MSP2





FAMA

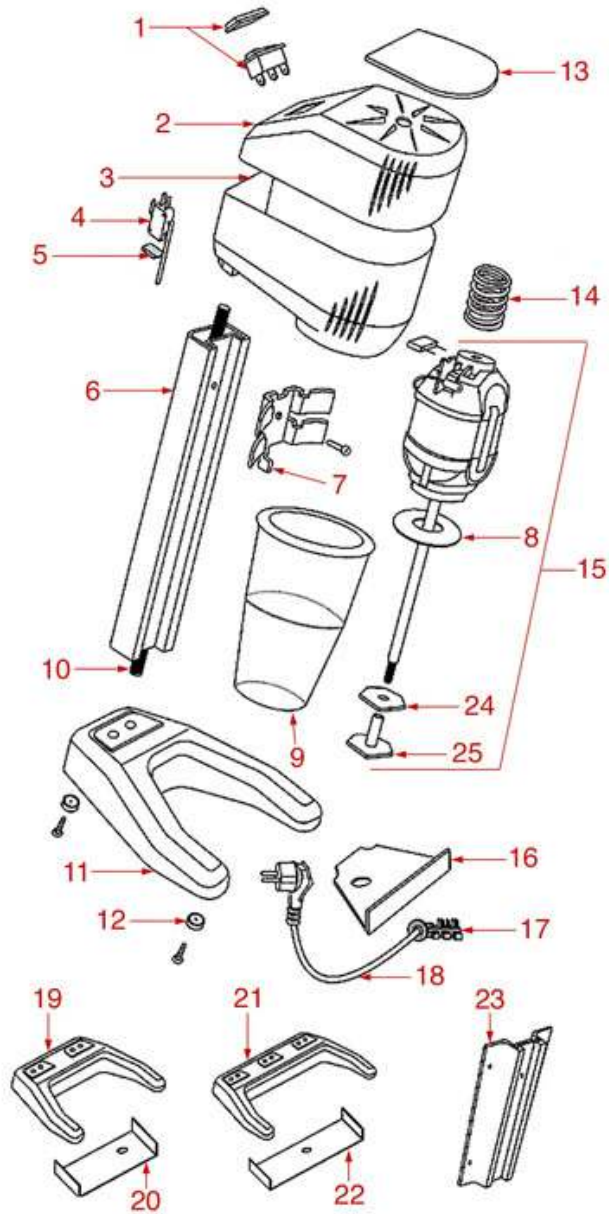


Position	LF code no.	Description
1	1381074	PROTECTION DOME
2	1381075	PLASTIC CONE
3	1381076	PLASTIC FILTER
4	1381077	CONVEYOR PIN
9	1319350	WHITE BIPOLAR SWITCH 16A 250V
12	1381079	PLASTIC PLATE
18	1250079	SPRING FOR LEVER
20	1381072	PRESSURE LEVER
22	1381073	STAINLESS STEEL BELL
23	1381071	STAINLESS STEEL CONE
29	3240123	MICROSWITCH 16A 250V



BLENDERS MF4

MF4





FAMA

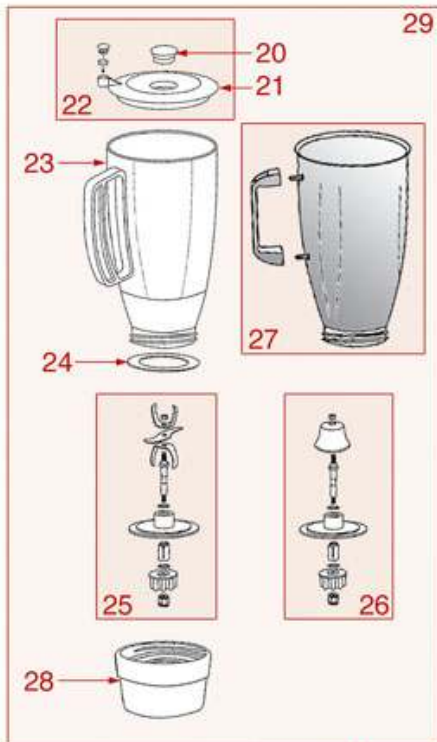


Position	LF code no.	Description
1	1319170	BLACK BIPOLAR SWITCH 12A 250V
4	3240820	MICROSWITCH 16A 250V
7	1381080	JUG HOLDER
9	1080020	STAINLESS STEEL JUG
9	1080023	PLASTIC JUG
24	1381081	STAINLESS STEEL FLAT MIXER
25	1381082	PLASTIC MIXER

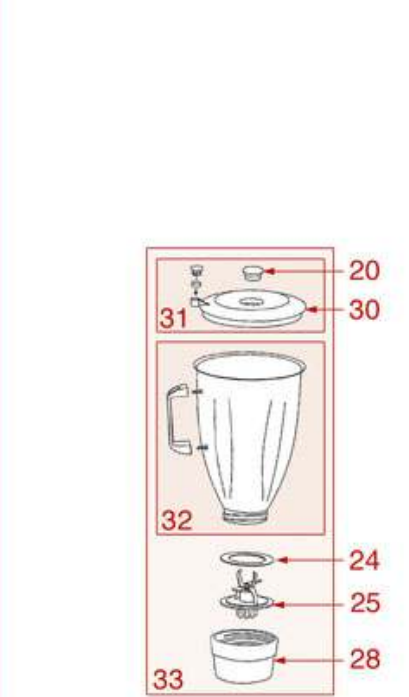


BLENDERS MT1-MT1D-MT2-MT5

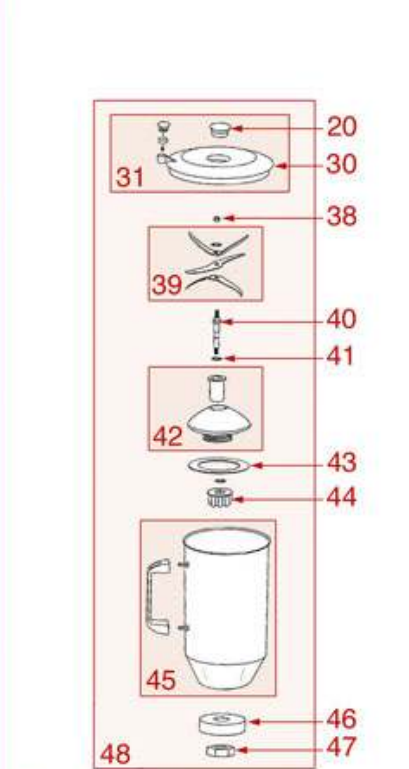
MT1



MT5



MT1D





FAMA



Position	LF code no.	Description
1	1381083	RUBBER FEMALE GEAR 8 TEETH
2	1381084	GEAR HOLDER
4	1186555	GASKET \varnothing 106x63x2 mm
6	1319157	ON-OFF-ON STABLE SELECTOR SWITCH
16	1057005	POTENTIOMETER 5A 250V
20	1381085	INSPECTION CAP FOR LID
22	1381086	COMPLETE LID
23	1080024	PLASTIC JUG 1.4 L
24	1186488	JUG GASKET \varnothing 72x55x3 mm
25	1718007	KNIFE SET
26	1718008	MIXER ASSEMBLY
28	1381088	JUG HOLDER FOR BLENDER
31	1381087	COMPLETE LID
44	1381089	METAL MALE GEAR I 8 TEETH
49	1319350	WHITE BIPOLAR SWITCH 16A 250V



Suitable for:

FAMA



Suitable for:

Bearings

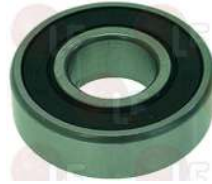
3063005 BEARING 6202 2RS
external \varnothing 35 mm -internal \varnothing 15 mm-thickness 11 mm



FAMA F1127/5

FAMA F1127/8

3063017 BEARING 6203 2RS
external \varnothing 40 mm -internal \varnothing 17 mm-thickness 12 mm



FAMA FPC126

FAMA F2103

1063906 BEARING 6203 2Z
external \varnothing 40 mm -internal \varnothing 17 mm-thickness 12 mm



FAMA F0113

FAMA F2093

Citrus squeezers and accessories

1381086 COMPLETE LID



FAMA C0007F347

1381087 COMPLETE LID



FAMA C0007F351

1381085 INSPECTION CAP FOR LID



FAMA C0007F317A

1381088 JUG HOLDER FOR BLENDER



FAMA C0007F321

1381082 PLASTIC MIXER



FAMA C0007F216

1381079 PLASTIC PLATE



FAMA C0007S820



FAMA



Suitable for:

Suitable for:

1381074 PROTECTION DOME

1381073 STAINLESS STEEL BELL



FAMA C0007S807

FAMA C0004S817

1381081 STAINLESS STEEL FLAT MIXER



FAMA C0004F213

Cones for citrus squeezers

1381075 PLASTIC CONE

1381076 PLASTIC FILTER



FAMA C0007S822

FAMA C0007S809

1381071 STAINLESS STEEL CONE



FAMA C0004S803

Gaskets and seals

1186519 EPDM O-RING 04337

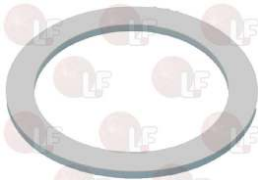
1186555 GASKET \varnothing 106x63x2 mm



FAMA F2186

FAMA C0007F310

**1186488 JUG GASKET \varnothing 72x55x3 mm
for Blender (SAMMIC) TB-1000**



FAMA C0007F323



Suitable for:

FAMA



Suitable for:

Gears

1381084 GEAR HOLDER
for Blender (MACAP) P100/D - P100/V - P102/D
P102/V - P103 - P105



FAMA C0007F309

1381089 METAL MALE GEAR 18 TEETH



FAMA C0002F306

1381083 RUBBER FEMALE GEAR 8 TEETH



FAMA C0007F308

Handles

1381072 PRESSURE LEVER



FAMA C0003S802

Jugs for blenders

1381080 JUG HOLDER



FAMA C0007F217

1080023 PLASTIC JUG
height 165 mm
max.external ø 110 mm
graduated



FAMA C0007F218

1080024 PLASTIC JUG 1.4 L



FAMA C0007F304

1080020 STAINLESS STEEL JUG
height 165 mm
max external ø 112 mm



FAMA C0004F215



Suitable for:

FAMA



Suitable for:

Knives

1718007 KNIFE SET



FAMA C0007F305

1718008 MIXER ASSEMBLY



FAMA C0007F306

Microswitches

3240123 MICROSWITCH 16A 250V

for Granita machine (UGOLINI) GIANTGL - MTGL
MTMINI
for Ice crusher (SANTOS) 9
for Mixer (ROBOT COUPE) MP350 - MP450 - MP550
MP550A - MP600 - MP600A



FAMA C00061016

3240820 MICROSWITCH 16A 250V



FAMA C00061023

5035454 MICRO SUPPORT
for WASHING MACHINE LF25



3240401 ACTUATOR FOR MICROSWITCH
for OVEN



3240166 MOUNTING PLATE FOR MICROSWITCH
external dimensions 46x26 mm



Pins

1381077 CONVEYOR PIN



FAMA C0004S8051



Suitable for:

FAMA



Suitable for:

Rotary switches

1057005 POTENTIOMETER 5A 250V
handle pin \varnothing 6 mm



FAMA C0006F311

Springs

3250129 LEFT SPRING \varnothing 21x56 mm
for SANDWICH PLATE SERIES 160XX



FAMA FPG16251

3250130 RIGHTHAND SPRING \varnothing 21x56 mm
for SANDWICH PLATE SERIES 160XX



FAMA FPG16261

1250079 SPRING FOR LEVER



FAMA C0008XX01

Switches

1319170 BLACK BIPOLAR SWITCH 12A 250V
with push-button cap
silk-screen printing 0 - I
temperature max. 120°C
mounting hole 13x20 mm



FAMA C00061020

1319157 ON-OFF-ON STABLE SELECTOR SWITCH
16A 250V - with cap
max.temperature 120°C
mounting hole 22x30 mm
for Blender (SAMMIC) TB-1000



FAMA C00061022

3319016 RED BIPOLAR SWITCH 16A 250V
with indicator lamp
silk-screen print 0 - I
max temperature 120°C
mounting hole 22x30 mm



FAMA F2358

1319350 WHITE BIPOLAR SWITCH 16A 250V
with push-button cover
0-I silk-screen printing
mounting hole 22x30 mm



FAMA C00061021