



Spare parts for:

Bar equipment



Suitable for:

EUREKA



This catalogue is automatically generated.
Therefore, the sequence of the items might
not be always shown at best.
Updates will be issued in case of additions
and/or amendments.

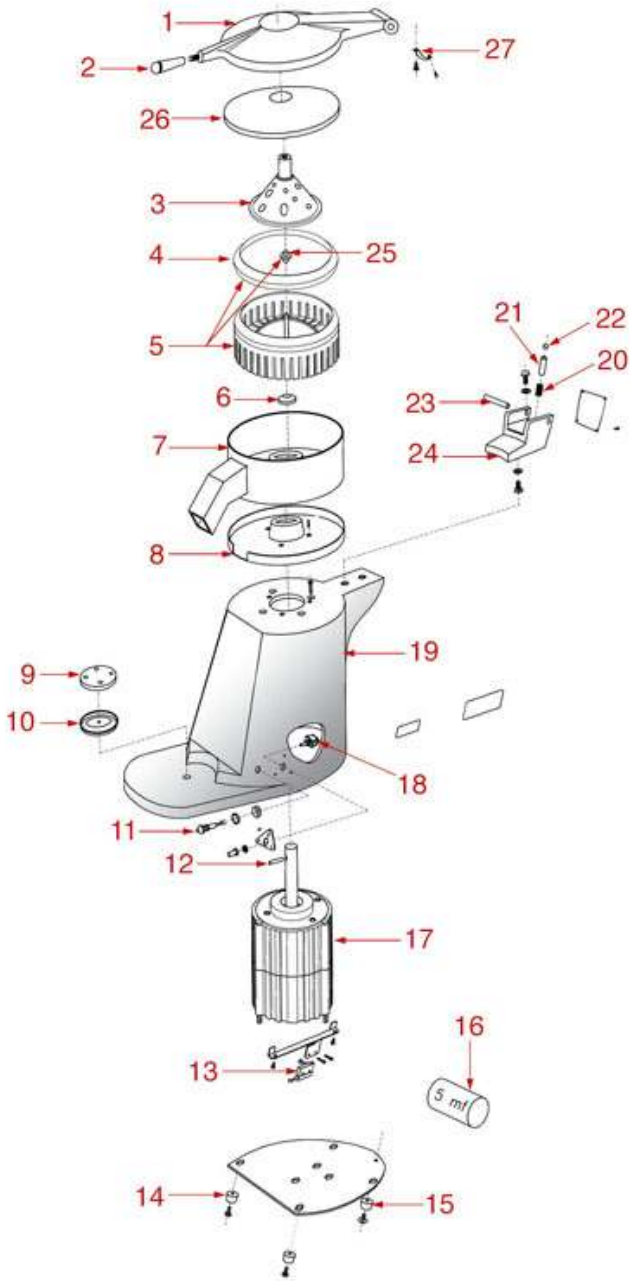
Suitable universal spare parts may not be included



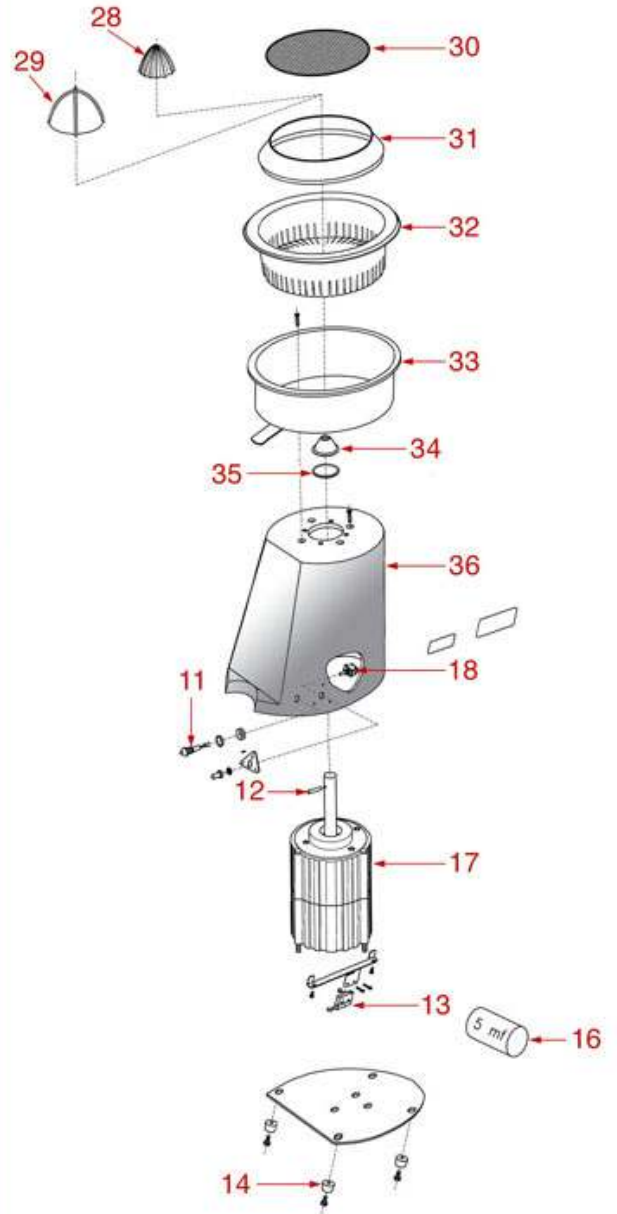


CITRUS SQUEEZER SAL-SAM

SAL



SAM





EUREKA

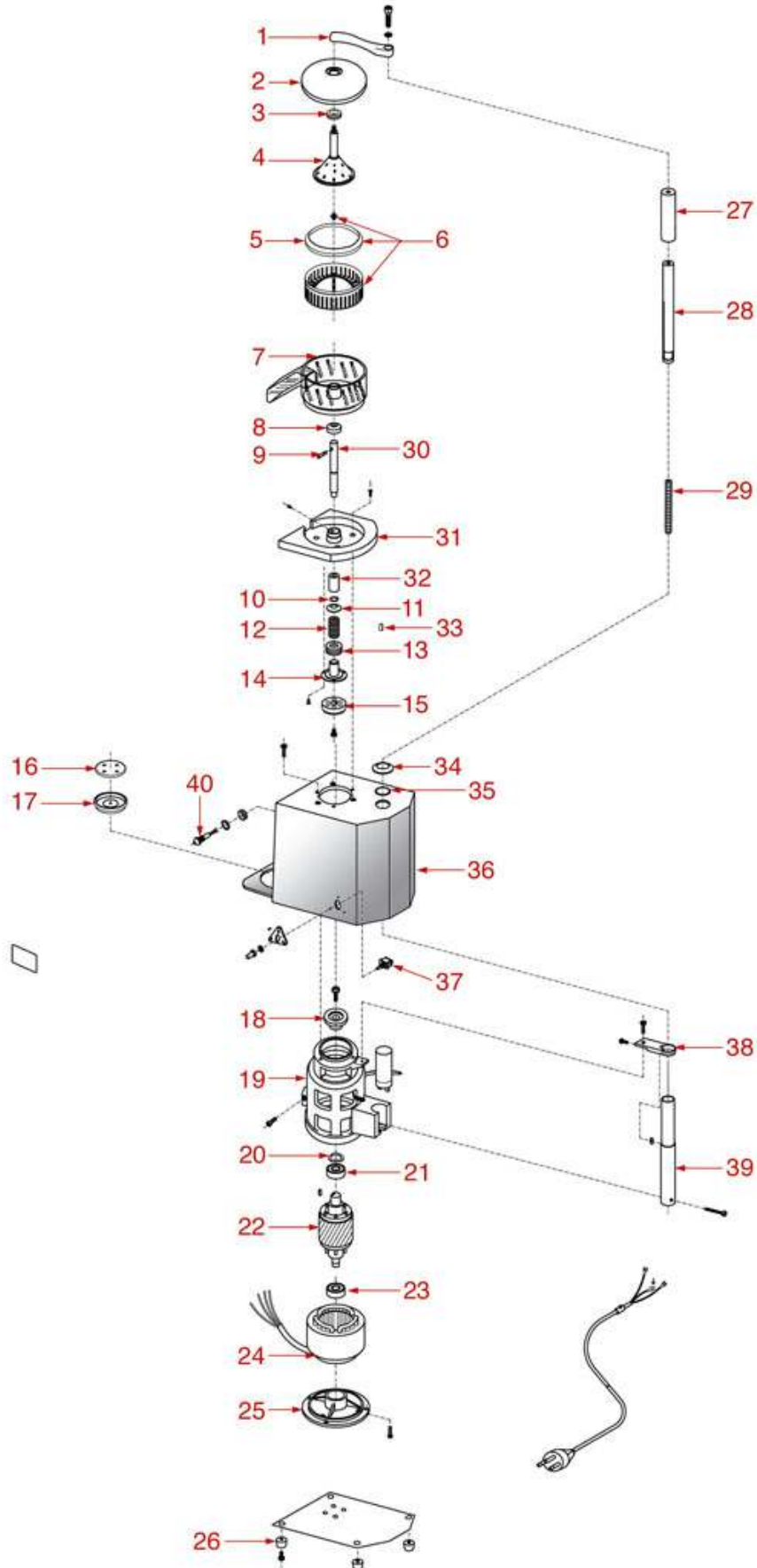


Position	LF code no.	Description
5	1381135	BIG PLASTIC CONE
6	1381131	SLEEVE GUARD
7	1381208	JUICE CONVEYOR
11	1221007	RED PILOT LIGHT 230V
13	1240028	MICROSWITCH 6A 250V
18	1319179	BIPOLAR LEVER SWITCH 6A 250V
20	1250085	SPRING \varnothing 9x45 mm
25	1381213	S/STEEL SPINDLE
28	1381125	BIG CONE
29	1381125	BIG CONE



CITRUS SQUEEZER SAL INOX

SAL INOX



EUAB02

Positions without LF code no.: upon request



EUREKA

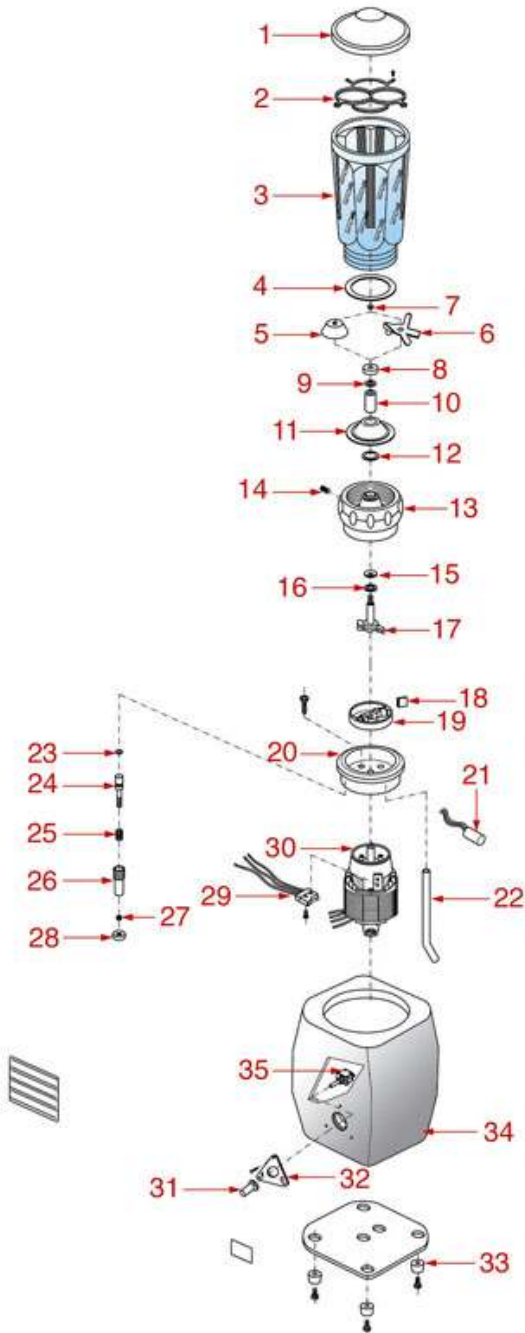


Position	LF code no.	Description
2	1381123	JUICE EXTRACTOR LID
3	1186560	SEALING GASKET
4	1381121	STAINLESS STEEL BELL
6	1381135	BIG PLASTIC CONE
7	1381208	JUICE CONVEYOR
13	1063003	THRUST BEARING
18	1381129	MOTOR CLUTCH
21	3063005	BEARING 6202 2RS
23	1063005	BEARING 6201 2RS
29	1250084	SPRING \varnothing 16x143 mm
37	1319179	BIPOLAR LEVER SWITCH 6A 250V
40	1221007	RED PILOT LIGHT 230V
41	1381213	S/STEEL SPINDLE

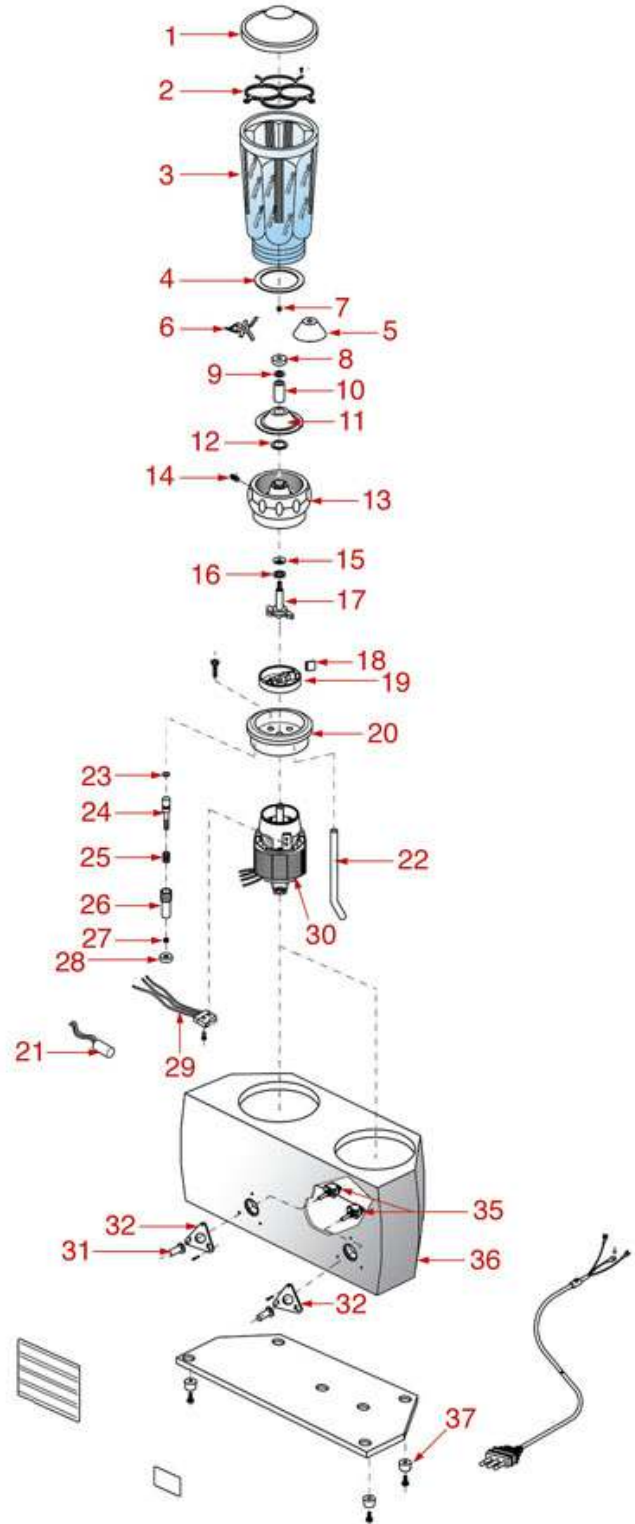


BLENDERS FRUIT1-FRUDUPLEZ

FRUIT1



FRU DUPLEX





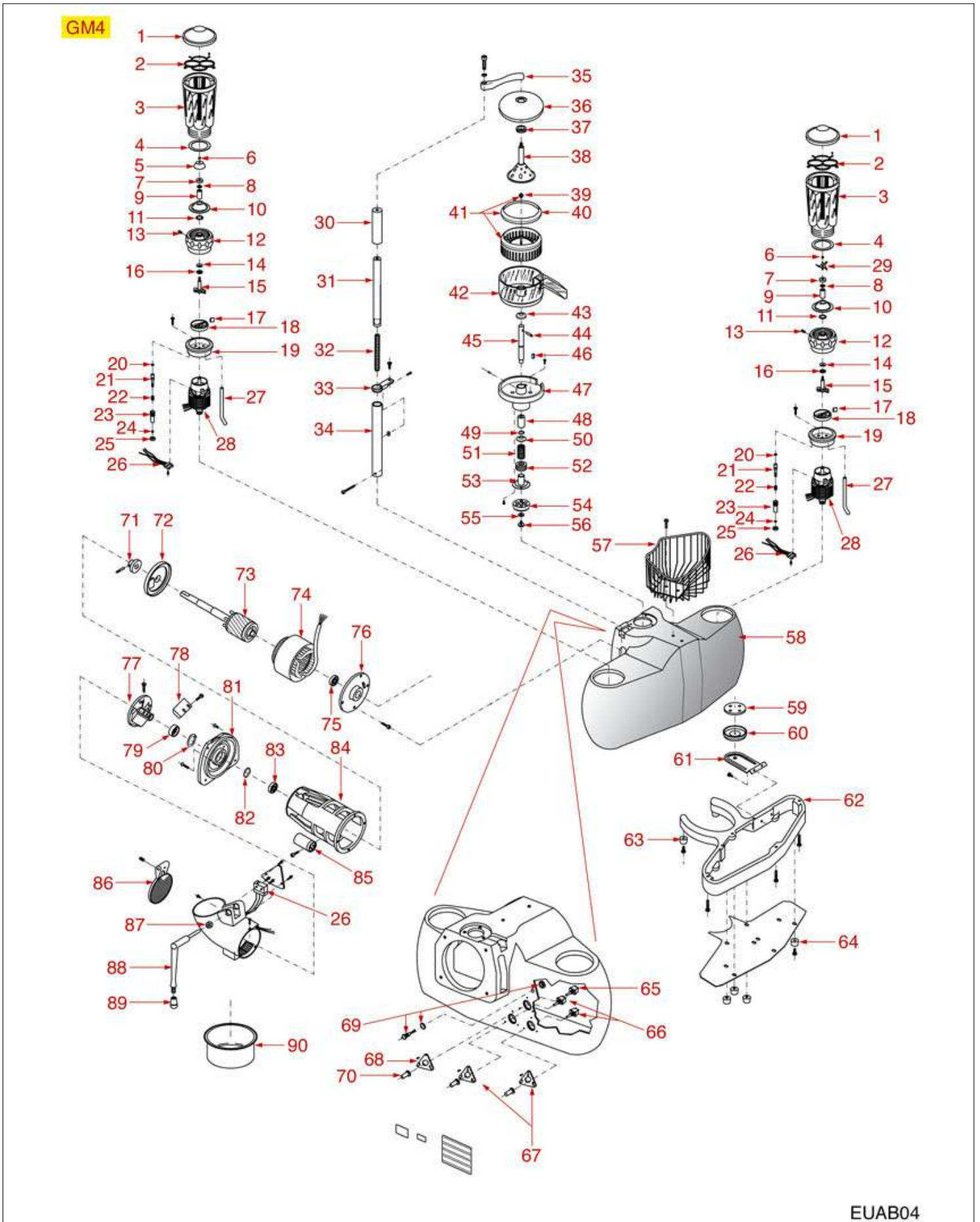
EUREKA



Position	LF code no.	Description
1	1381119	1 L JUG ALUMINUM LID
3	1080025	PLASTIC JUG 1 L
4	1186574	GASKET FOR JUG \varnothing 77x60x3 mm
5	1381127	BLENDER CONE
6	1718010	BLADE ASSEMBLY
9	1186578	FIBERGLASS GASKET \varnothing 16x8x1.5 mm
12	1186577	FLAT GASKET \varnothing 25x19x1.5 mm
13	1381136	JUG HOLDER FOR BLENDER
16	1186578	FIBERGLASS GASKET \varnothing 16x8x1.5 mm
23	1186163	O-RING 02010 EPDM
25	1250087	SPRING \varnothing 4.5x12 mm
29	1240028	MICROSWITCH 6A 250V
35	1319180	2 SPEED LEVER GEAR 6A 250V



MULTIPLE GROUP GM4





EUREKA

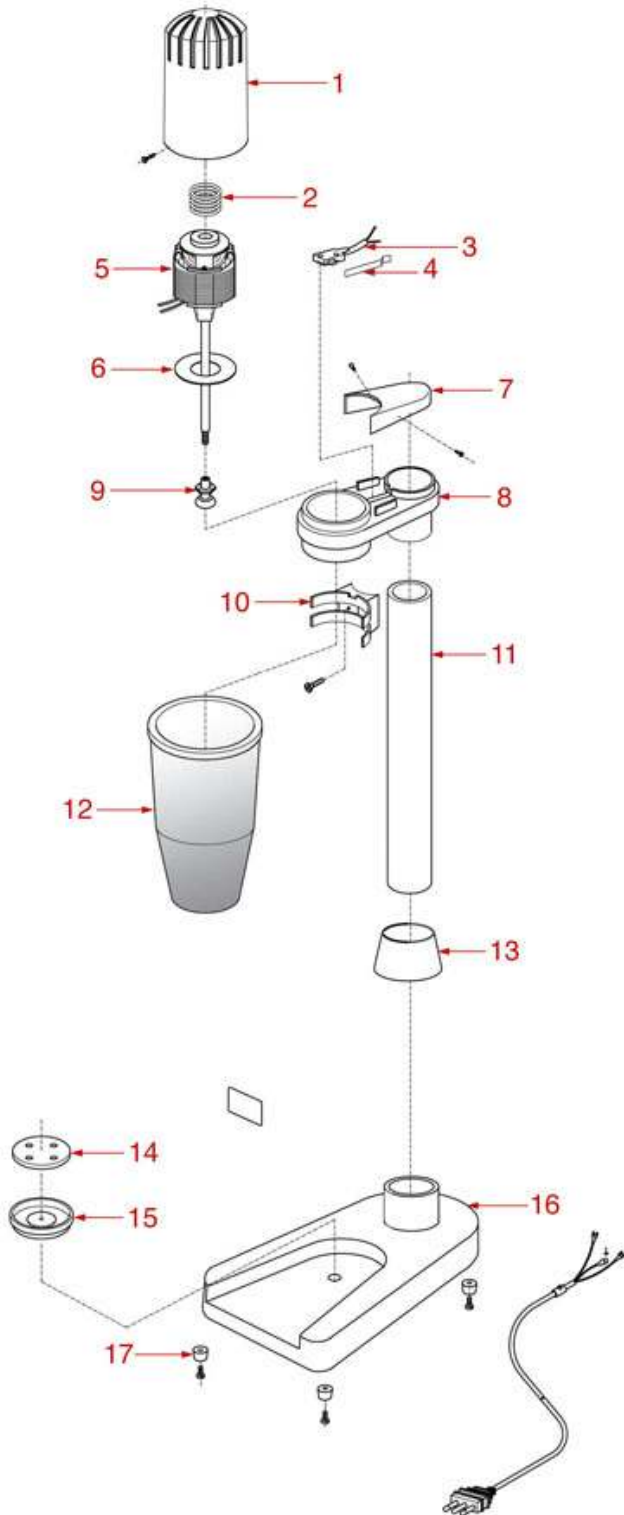


Position	LF code no.	Description
1	1381119	1 L JUG ALUMINUM LID
3	1080025	PLASTIC JUG 1 L
4	1186574	GASKET FOR JUG \varnothing 77x60x3 mm
5	1381127	BLENDER CONE
8	1186578	FIBERGLASS GASKET \varnothing 16x8x1.5 mm
11	1186577	FLAT GASKET \varnothing 25x19x1.5 mm
12	1381136	JUG HOLDER FOR BLENDER
16	1186578	FIBERGLASS GASKET \varnothing 16x8x1.5 mm
20	1186163	O-RING 02010 EPDM
22	1250087	SPRING \varnothing 4.5x12 mm
26	1240028	MICROSWITCH 6A 250V
29	1718010	BLADE ASSEMBLY
32	1250084	SPRING \varnothing 16x143 mm
36	1381123	JUICE EXTRACTOR LID
37	1186560	SEALING GASKET
38	1381121	STAINLESS STEEL BELL
39	1381213	S/STEEL SPINDLE
41	1381135	BIG PLASTIC CONE
42	1381208	JUICE CONVEYOR
43	1381131	SLEEVE GUARD
52	1063003	THRUST BEARING
54	1381126	RUBBER CLUTCH
65	1319179	BIPOLAR LEVER SWITCH 6A 250V
66	1319180	2 SPEED LEVER GEAR 6A 250V
69	1221007	RED PILOT LIGHT 230V
71	1708001	ALUMINIUM MOTOR CLUTCH
75	1063005	BEARING 6201 2RS
83	3063005	BEARING 6202 2RS

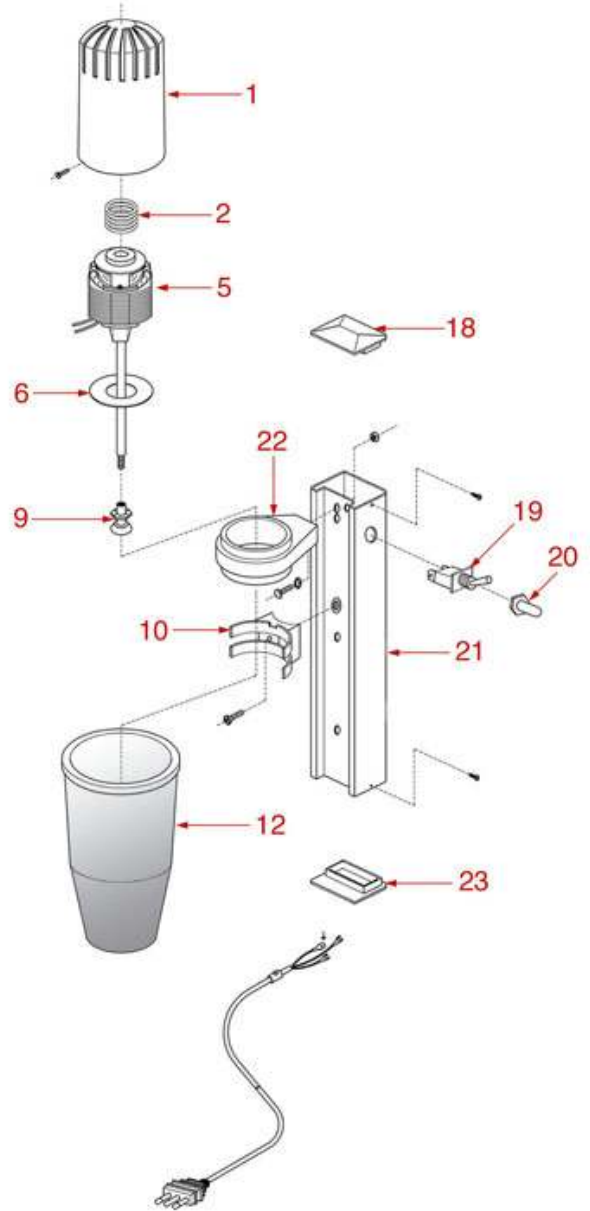


GROUP BLENDER

FRN1



FRN1P



EUAB05



EUREKA



Position	LF code no.	Description
3	1240027	MICROSWITCH 3A 250V
12	1080026	ALUMINUM JUG
19	1319179	BIPOLAR LEVER SWITCH 6A 250V



Suitable for:

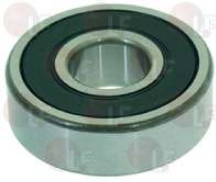
EUREKA



Suitable for:

Bearings

1063005 BEARING 6201 2RS
external \varnothing 32 mm-internal \varnothing 12 mm-thickness 10 mm



EUREKA 6030.6201

3063005 BEARING 6202 2RS
external \varnothing 35 mm -internal \varnothing 15 mm-thickness 11 mm



EUREKA 6030.6020

EUREKA 6030.6202

1063003 THRUST BEARING



EUREKA 6030.5104

Bushes

1381131 SLEEVE GUARD



EUREKA 3052.0005

Capacitors

3068008 CAPACITOR μ F 5 450V 50/60Hz
operating temperature $-25+85^{\circ}\text{C}$
in compliance with EEC 93/68 and EEC 92/31 regulat



EUREKA 1013.0005

3068014 CAPACITOR μ F 8 450V 50/60Hz
operating temperature $-25+85^{\circ}\text{C}$
in compliance with EEC 93/68 and 92/31 regulations



EUREKA 1013.0008

Citrus squeezers and accessories

1381127 BLENDER CONE



EUREKA 3001.0010

1381136 JUG HOLDER FOR BLENDER



EUREKA 3001.0004



EUREKA



Suitable for:

Suitable for:

1381123 JUICE EXTRACTOR LID

1381213 S/STEEL SPINDLE



EUREKA 3053.0003

EUREKA 3051.0003

1381121 STAINLESS STEEL BELL

1381119 1 L JUG ALUMINUM LID



EUREKA 3053.0001

EUREKA 3011.0004

EUREKA 3011.0005

Clutches

1708001 ALUMINIUM MOTOR CLUTCH

1381129 MOTOR CLUTCH



EUREKA 3055.0006

EUREKA 3041.0005

1381126 RUBBER CLUTCH



EUREKA 3051.0004

Cones for citrus squeezers

1381125 BIG CONE

1381135 BIG PLASTIC CONE



EUREKA 3701.0001

EUREKA 3701.0002

EUREKA 3051.0000

EUREKA 3051.0001

EUREKA 3051.0002

Gaskets and seals

1186578 FIBERGLASS GASKET \varnothing 16x8x1.5 mm

1186577 FLAT GASKET \varnothing 25x19x1.5 mm



EUREKA 3001.0013

EUREKA 3001.0006



Suitable for:

Suitable for:

1186574 GASKET FOR JUG ø 77x60x3 mm

1186163 O-RING 02010 EPDM



EUREKA 3001.0012

EUREKA 6040.0012

1186560 SEALING GASKET



EUREKA 3053.0002

Ironmongery (screws,nuts,washers)

1528030 ST.STEEL HEXAGONAL NUT M6 UNI 5588



EUREKA 6062.0003

EUREKA 6062.0004

Jugs for blenders

1080026 ALUMINUM JUG
height 155 mm
max.external ø 102 mm

1080025 PLASTIC JUG 1 L



EUREKA 9051.0016

EUREKA 3011.0001

Juice conveyors

1381208 JUICE CONVEYOR



EUREKA 3101.0005



Knives

1718010 BLADE ASSEMBLY



EUREKA 3002.0010

Lamps

1221007 RED PILOT LIGHT 230V ø head 20 mm - ø hole 10 mm



EUREKA 1005.2220

Microswitches

3240123 MICROSWITCH 16A 250V for Granita machine (UGOLINI) GIANTGL - MTGL MTMINI for Ice crusher (SANTOS) 9 for Mixer (ROBOT COUPE) MP350 - MP450 - MP550 MP550A - MP600 - MP600A



EUREKA 1000.0002

1240027 MICROSWITCH 3A 250V



EUREKA 1000.0004

1240028 MICROSWITCH 6A 250V



EUREKA 1000.0003

Springs

1250084 SPRING ø 16x143 mm



EUREKA 6002.6833

1250087 SPRING ø 4.5x12 mm



EUREKA 6002.1286



Suitable for:

Suitable for:

1250085 SPRING \varnothing 9x45 mm



EUREKA 6002.1337

Switches

1319179 BIPOLAR LEVER SWITCH 6A 250V



EUREKA 1011.1822

1319180 2 SPEED LEVER GEAR 6A 250V



EUREKA 1011.1828