



Spare parts for:

Bar equipment



Suitable for:

CUNILL



This catalogue is automatically generated.
Therefore, the sequence of the items might
not be always shown at best.
Updates will be issued in case of additions
and/or amendments.

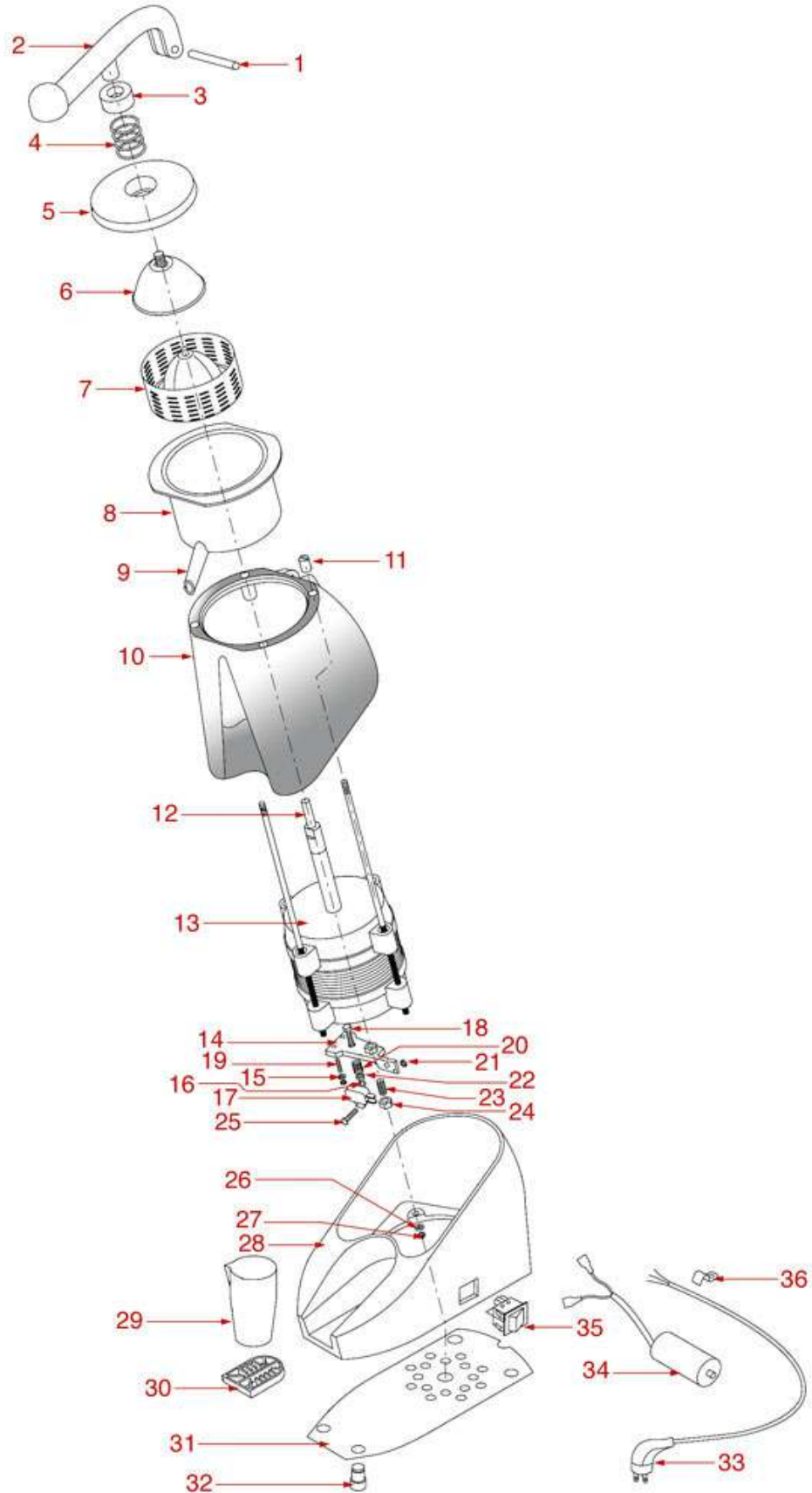
Suitable universal spare parts may not be included





CITRUS SQUEEZER ACID ONE

ACID ONE



CUAB01

Positions without LF code no.: upon request



CUNILL

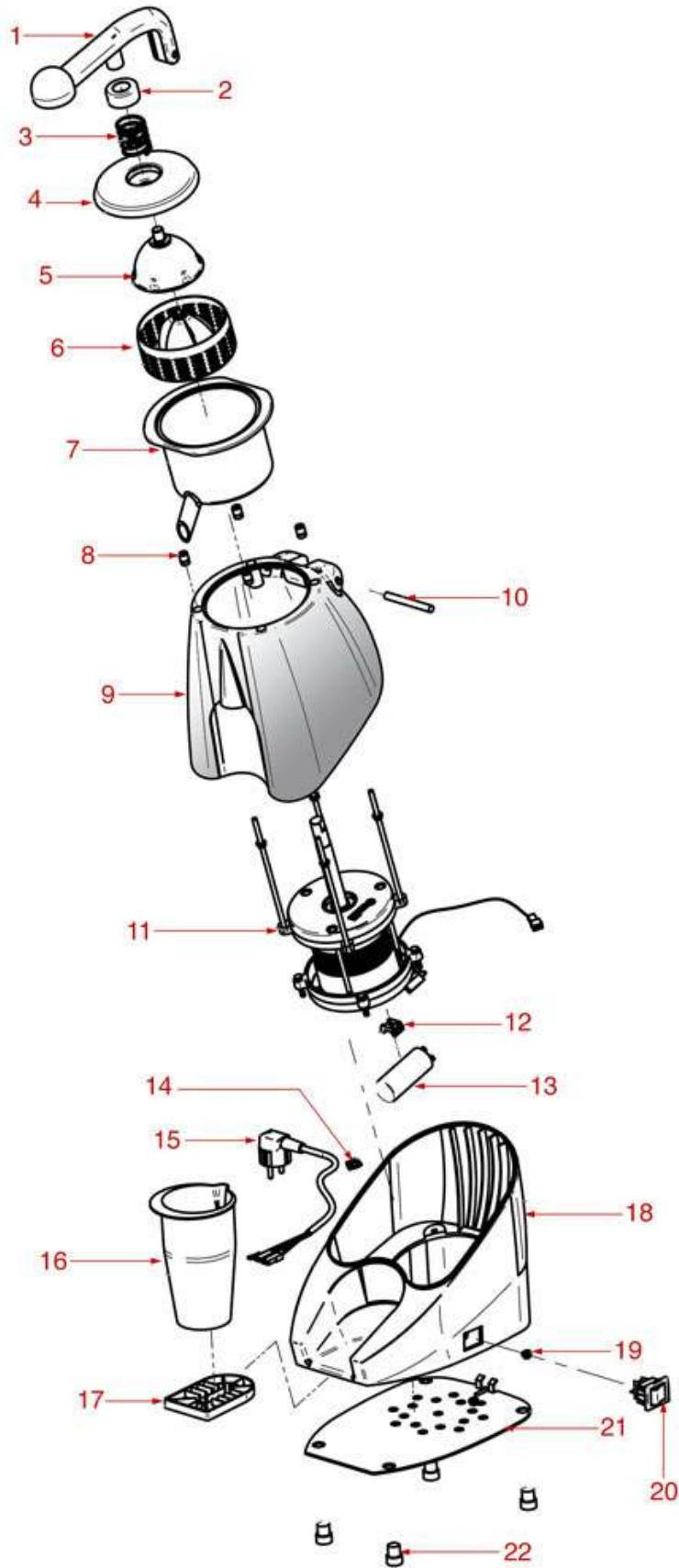


Position	LF code no.	Description
2	1381067	PRESSURE LEVER
4	1250077	LEVER SPRING
5	1381068	STAINLESS STEEL UPPER FLANGE
7	1381031	STAINLESS STEEL CONE
8	1381069	JUICE CONVEYOR
17	3240123	MICROSWITCH 16A 250V
20	1250068	SPRING FOR MICROSWITCH
29	1080021	PLASTIC JUG
30	1381030	PLASTIC GRID
32	1313916	RUBBER FOOT
34	3068016	CAPACITOR μ F 10 450V 50/60Hz
35	3319501	SWITCH PROTECTION CAP
35	3319972	GREEN BIPOLAR SWITCH 16A 250V



CITRUS SQUEEZER ACID TWO

ACID TWO





CUNILL



Position	LF code no.	Description
1	1381067	PRESSURE LEVER
2	1381183	SPRING CAP
3	1250077	LEVER SPRING
4	1381181	UPPER FLANGE PLASTIC
5	1381209	PLASTIC BELL
6	1381182	BLACK PLASTIC CONE
7	1381069	JUICE CONVEYOR
13	3068016	CAPACITOR μ F 10 450V 50/60Hz
16	1080021	PLASTIC JUG
17	1381030	PLASTIC GRID
20	3319012	GREEN BIPOLAR SWITCH 16A 250V
22	1313916	RUBBER FOOT



Suitable for:

CUNILL



Suitable for:

Capacitors

3068016 CAPACITOR μ F 10 450V 50/60Hz
operating temperature -25+85°C
in compliance with EEC 93/68 and 92/31 regulations



CUNILL EC026

CUNILL 026

Citrus squeezers and accessories

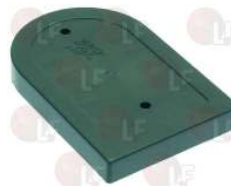
1381209 PLASTIC BELL



CUNILL EC005/A

CUNILL 005/A

1381030 PLASTIC GRID



CUNILL EX010

CUNILL 010

1381068 STAINLESS STEEL UPPER FLANGE



CUNILL EC003

CUNILL 003

1381181 UPPER FLANGE PLASTIC



CUNILL EC003/A

CUNILL 003/A

Cones for citrus squeezers

1381182 BLACK PLASTIC CONE



CUNILL EC0004/A

CUNILL EC004/A

CUNILL 004/A

1381031 STAINLESS STEEL CONE



CUNILL EC004

CUNILL 004

Equipment and accessories

1252012 AUTO. COFFEE GRINDER/DOSER FULL METAL USA
445W 110V 60Hz
color black
USA approved
coffee capacity 1 kg



CUNILL M1801USA

CUNILL M1851USA

1252011 AUTOM. COFFEE GRINDER/DOSER FULL METAL
stainless steel - 445W 230V 50Hz
coffee capacity 1kg



CUNILL MOL

CUNILL M1801

CUNILL M1851



CUNILL



Suitable for:

1090502 COFFEE DOSER WITH BASE



CUNILL BAR

Suitable for:

1252015 COFFEE GRINDER/DOSER EL CAFE TRANQUILO01
285W 230V 50Hz
black colour
coffee capacity 1/2 kg



CUNILL M1101

1252380 COFFEE GRINDER/DOSER EL CAFE TRANQUILO02
270W 230V 50Hz
black
coffee capacity 1/2 Kg



CUNILL M1102

CUNILL M1151

1090501 STANDARD COFFEE DOSER
wall connections



CUNILL SPECIALBAR

Feet

1313916 RUBBER FOOT



CUNILL MC0051

CUNILL MC100

CUNILL 051MOL

Handles

1381067 PRESSURE LEVER



CUNILL EC002

CUNILL 002

Jugs for blenders

1080021 PLASTIC JUG



CUNILL EC009

CUNILL 009



Suitable for:

CUNILL



Suitable for:

Juice conveyors

1381069 JUICE CONVEYOR



CUNILL CUN006

CUNILL EC0006

CUNILL 006

Microswitches

3240123 MICROSWITCH 16A 250V

for Granita machine (UGOLINI) GIANTGL - MTGL
MTMINI

for Ice crusher (SANTOS) 9

for Mixer (ROBOT COUPE) MP350 - MP450 - MP550

MP550A - MP600 - MP600A



CUNILL EC019

CUNILL MC0047

CUNILL 019

CUNILL 047MOL

Springs

1250077 LEVER SPRING



CUNILL EC013

CUNILL 013

1381183 SPRING CAP



CUNILL EC012/A

CUNILL 012/A

1250068 SPRING FOR MICROSWITCH



CUNILL EC033

CUNILL 033

Switches

3319012 GREEN BIPOLAR SWITCH 16A 250V
with indicator light and switch cover
screen printing 0 - I
max temperature 120°C
mounting hole 22x30 mm



CUNILL EC008/A

CUNILL 008/A

3319972 GREEN BIPOLAR SWITCH 16A 250V
with indicator lamp
ON - OFF silk-screen printing
max temperature 120°C
mounting hole 22x30 mm



CUNILL 008

3319501 SWITCH PROTECTION CAP
external dimensions 29x36 mm
for switches with mounting hole 22x30 mm



CUNILL

Timers

3446014 TIMER 15 MINUTES MTS49
mechanical movement with balance wheel
manually set mechanical timer
manually set cycle 15 minutes
2 poles with contact capacity 16(4)A 250V
max temperature 110°C
D-shaped pin \varnothing 6x4.6 mm
for TOASTER



CUNILL MC0146

CUNILL 146MOL

3241174 BLACK KNOB \varnothing 44 mm
D shaft hole 6x4.6 mm
for Toaster (SILANOS)

